



US00D378105S

# United States Patent [19]

Nakai

[11] Patent Number: **Des. 378,105**

[45] Date of Patent: **\*\*Feb. 18, 1997**

[54] **CAR FOR CHILD**

4,261,588 4/1981 Kassai ..... 280/87.021  
4,264,080 4/1981 Kassai ..... 280/1.13

[75] Inventor: **Keiichi Nakai**, Tokyo, Japan

*Primary Examiner*—Raphael Barkai  
*Attorney, Agent, or Firm*—Klauber & Jackson

[73] Assignee: **Plus One Co., Ltd.**, Tokyo, Japan

[\*\*] Term: **14 Years**

### [57] CLAIM

[21] Appl. No.: **40,764**

The ornamental design for car for child, as shown and described.

[22] Filed: **Jun. 26, 1995**

### DESCRIPTION

[52] U.S. Cl. .... **D21/74**

[58] Field of Search ..... D21/188, 71-81,  
D21/128, 131-140; D12/1, 130; 280/87.01,  
87.021, 87.051, 87.043, 1.22, 1.13, 827,  
828; 446/470, 441, 440, 76, 78, 80, 313,  
426, 428

FIG. 1 is a front, right perspective view showing the car for child of my new design;  
FIG. 2 is a left rear perspective view thereof;  
FIG. 3 is a right, front perspective view thereof with the "key", "shift" and "mouse" in an alternate position;  
FIG. 4 is a front elevational view of the design shown in FIG. 1;  
FIG. 5 is a rear view thereof;  
FIG. 6 is a left side view thereof;  
FIG. 7 is a right side view thereof;  
FIG. 8 is a top plan view thereof; and,  
FIG. 9 is a bottom view thereof.

### [56] References Cited

#### U.S. PATENT DOCUMENTS

D. 252,653	8/1979	Nakao et al. ....	D21/74
D. 252,829	9/1979	Nakao et al. ....	D21/74
D. 294,153	2/1988	Nakao et al. ....	D21/78
D. 345,769	4/1994	Liu .....	D21/76
D. 352,741	11/1994	Nakai .....	D21/76
3,902,739	9/1975	Kimura .....	280/828

**1 Claim, 4 Drawing Sheets**

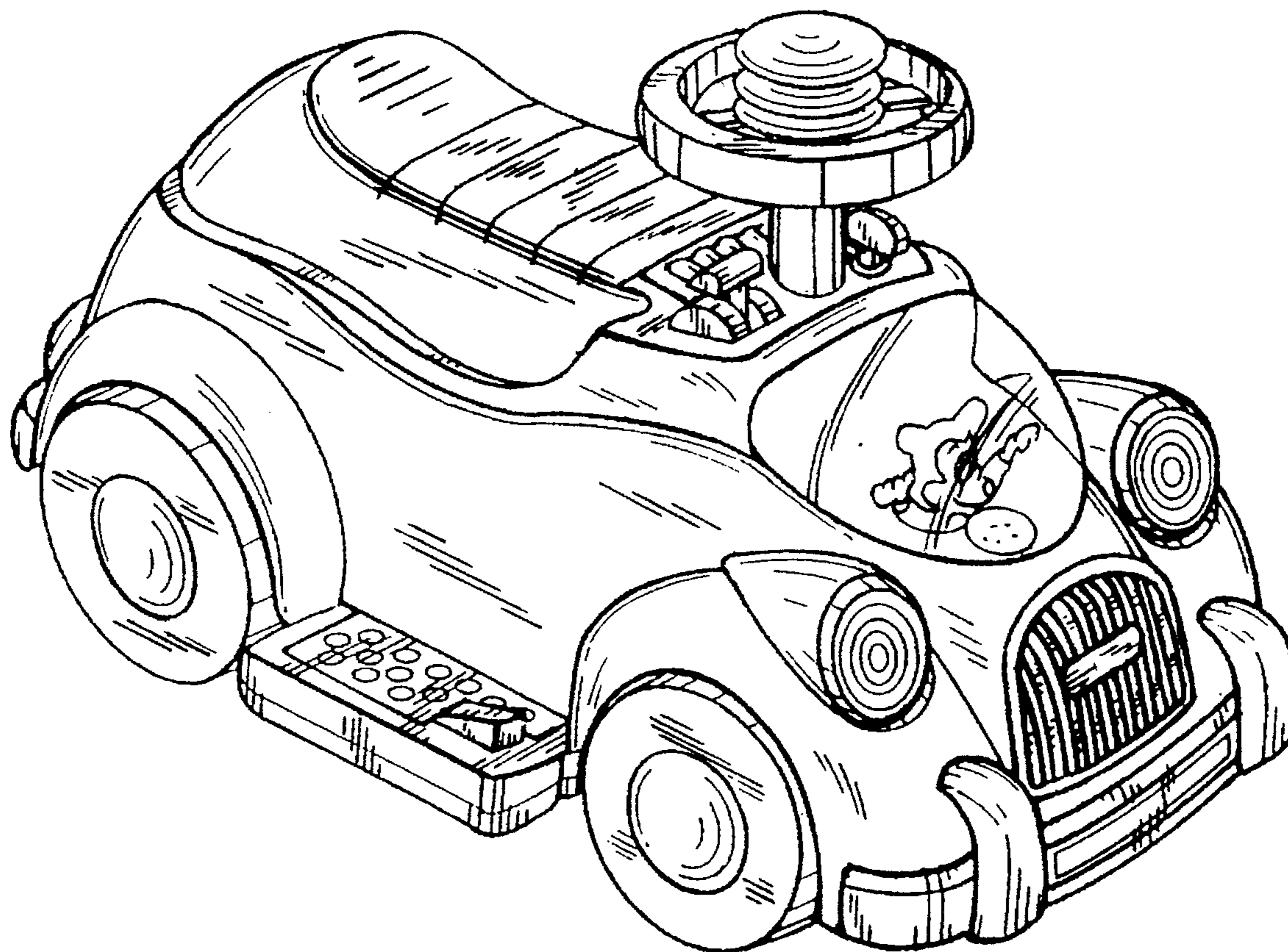


FIG. 1

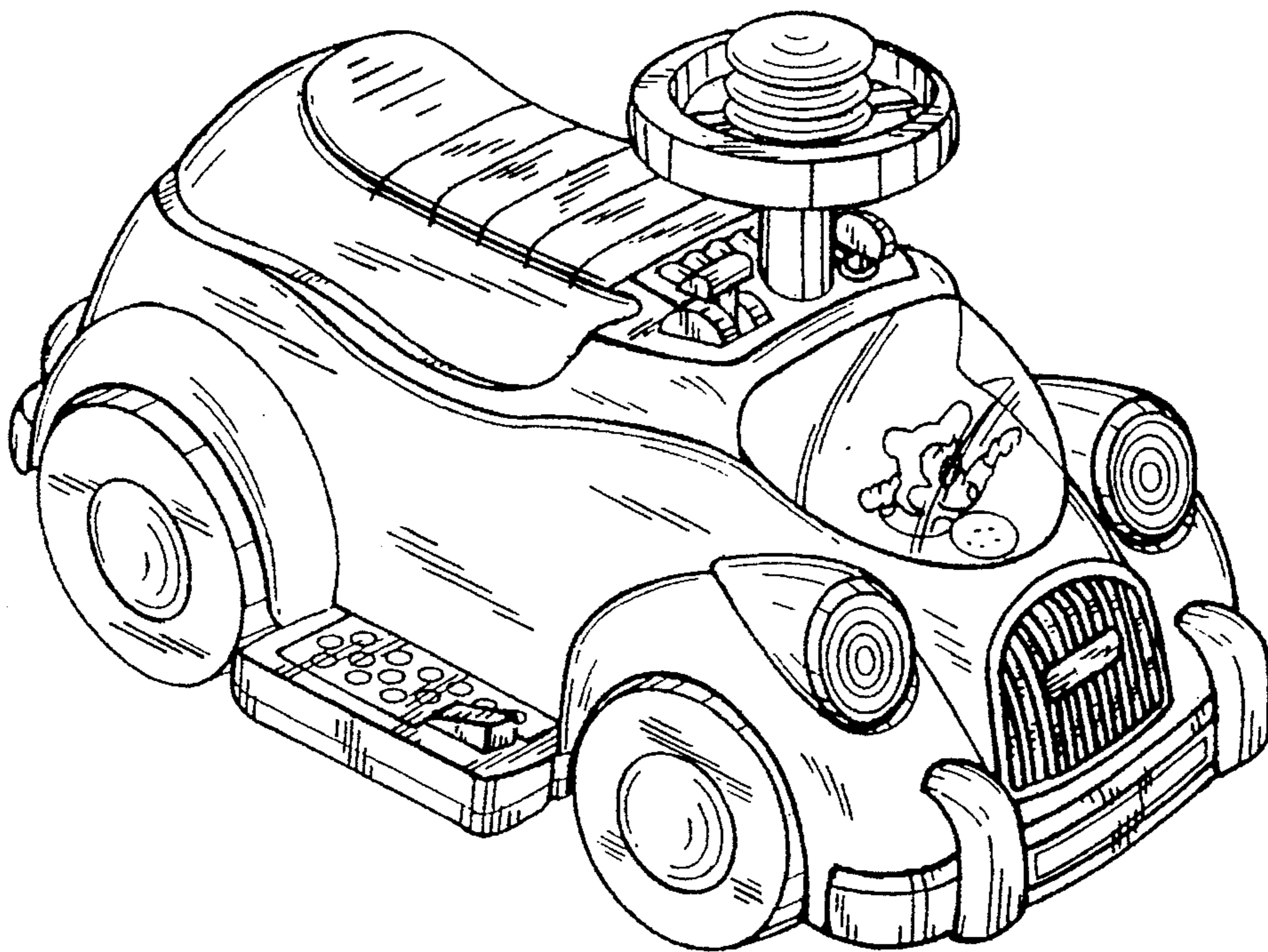


FIG. 2

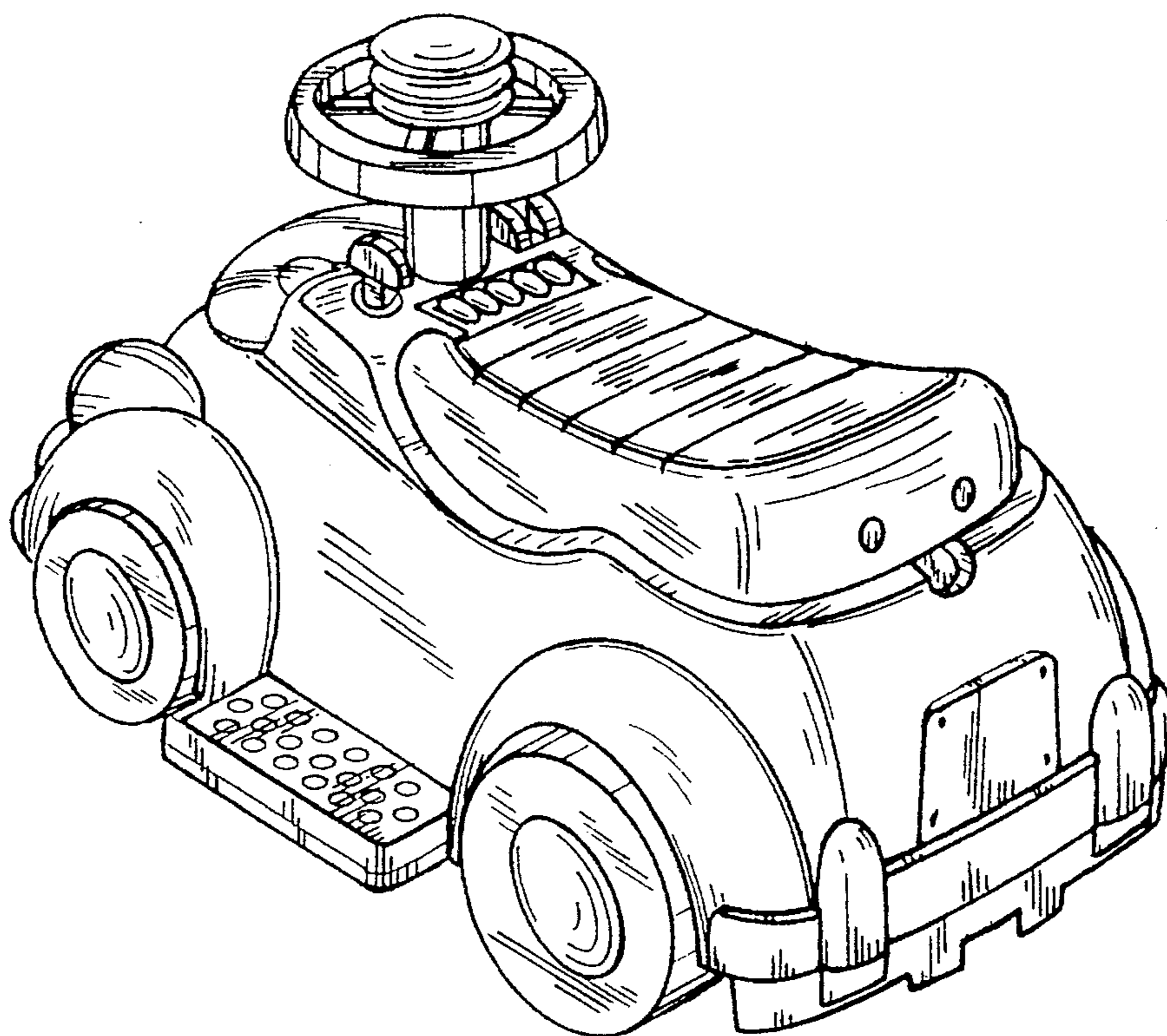


FIG. 3

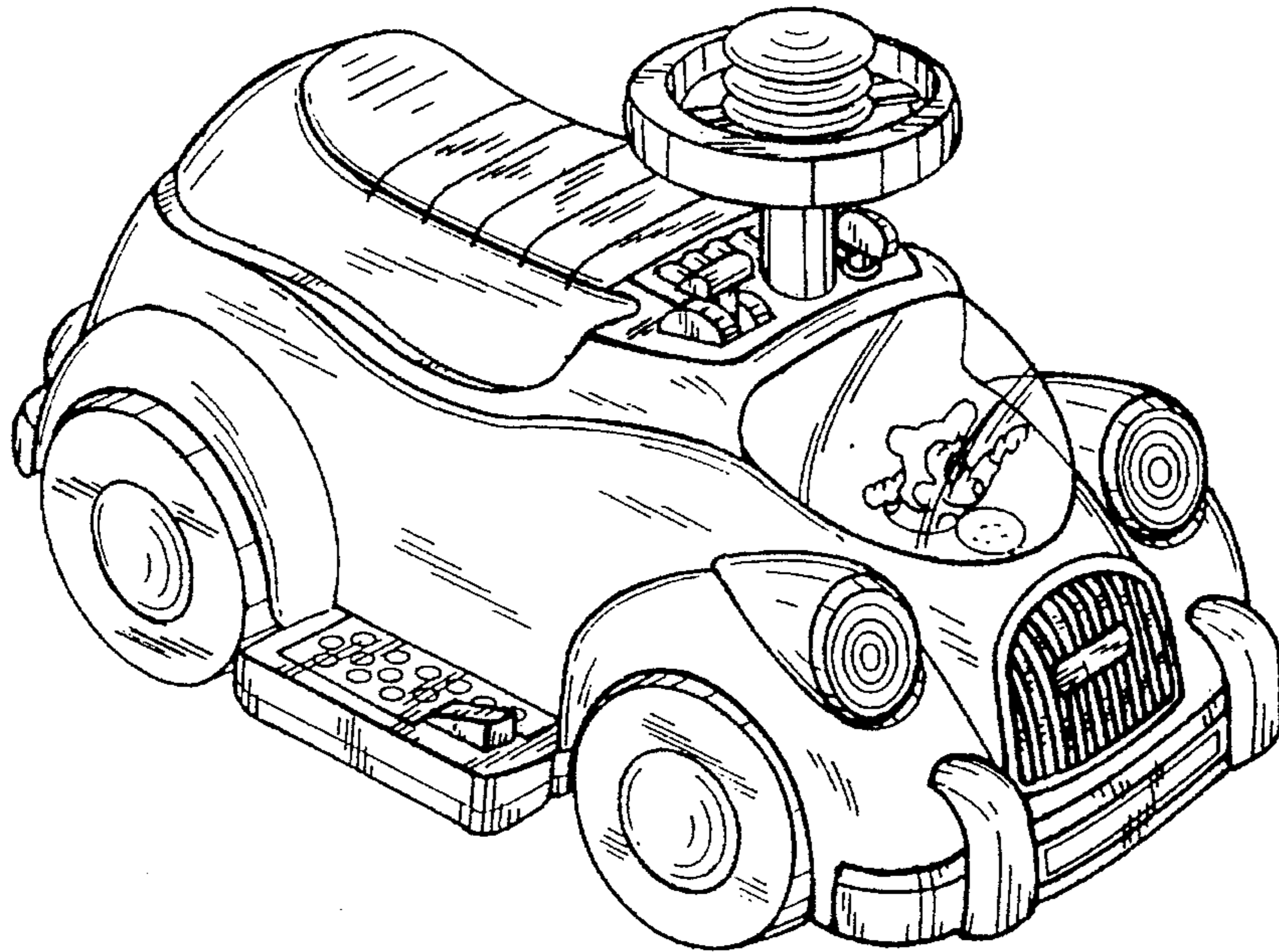


FIG. 4

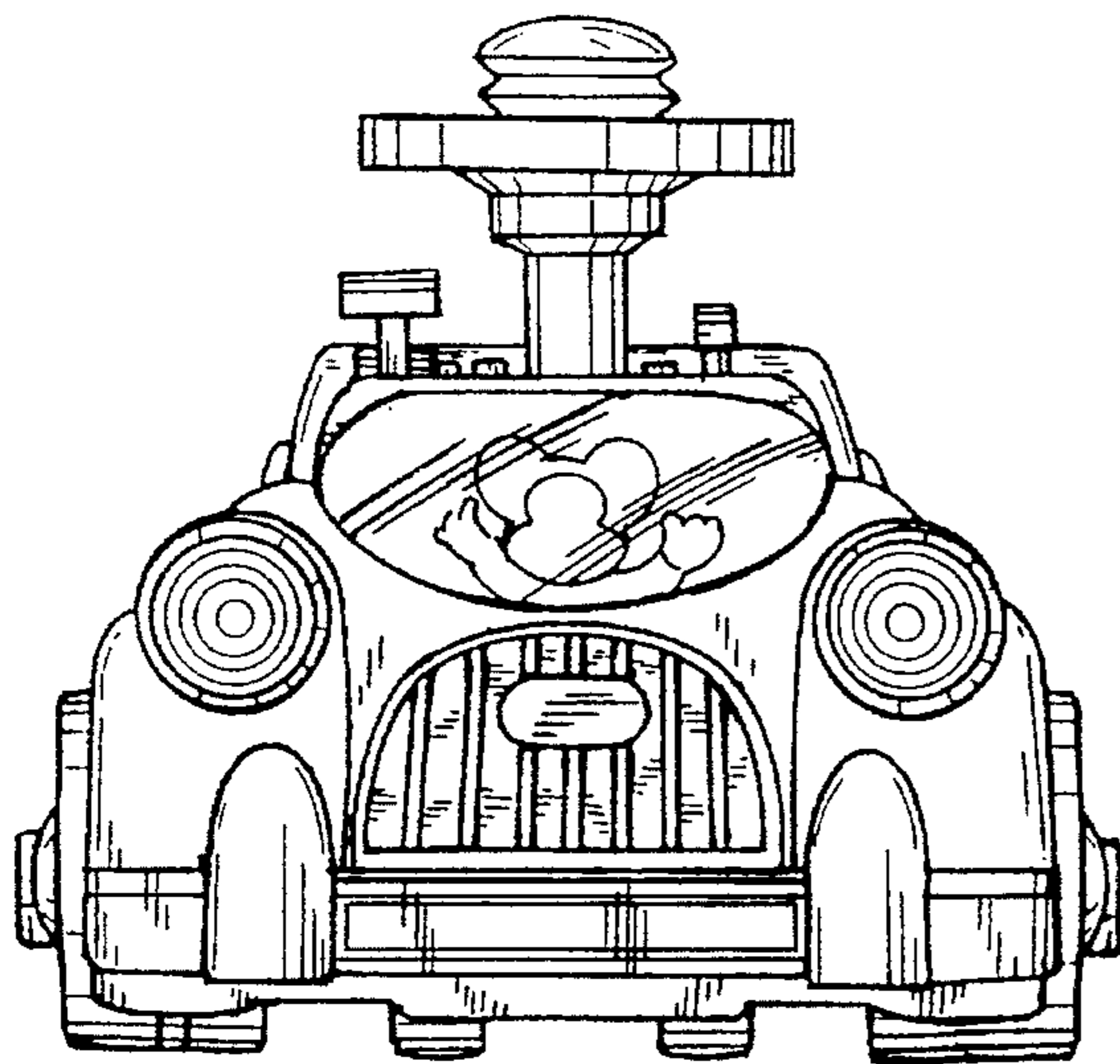


FIG. 5

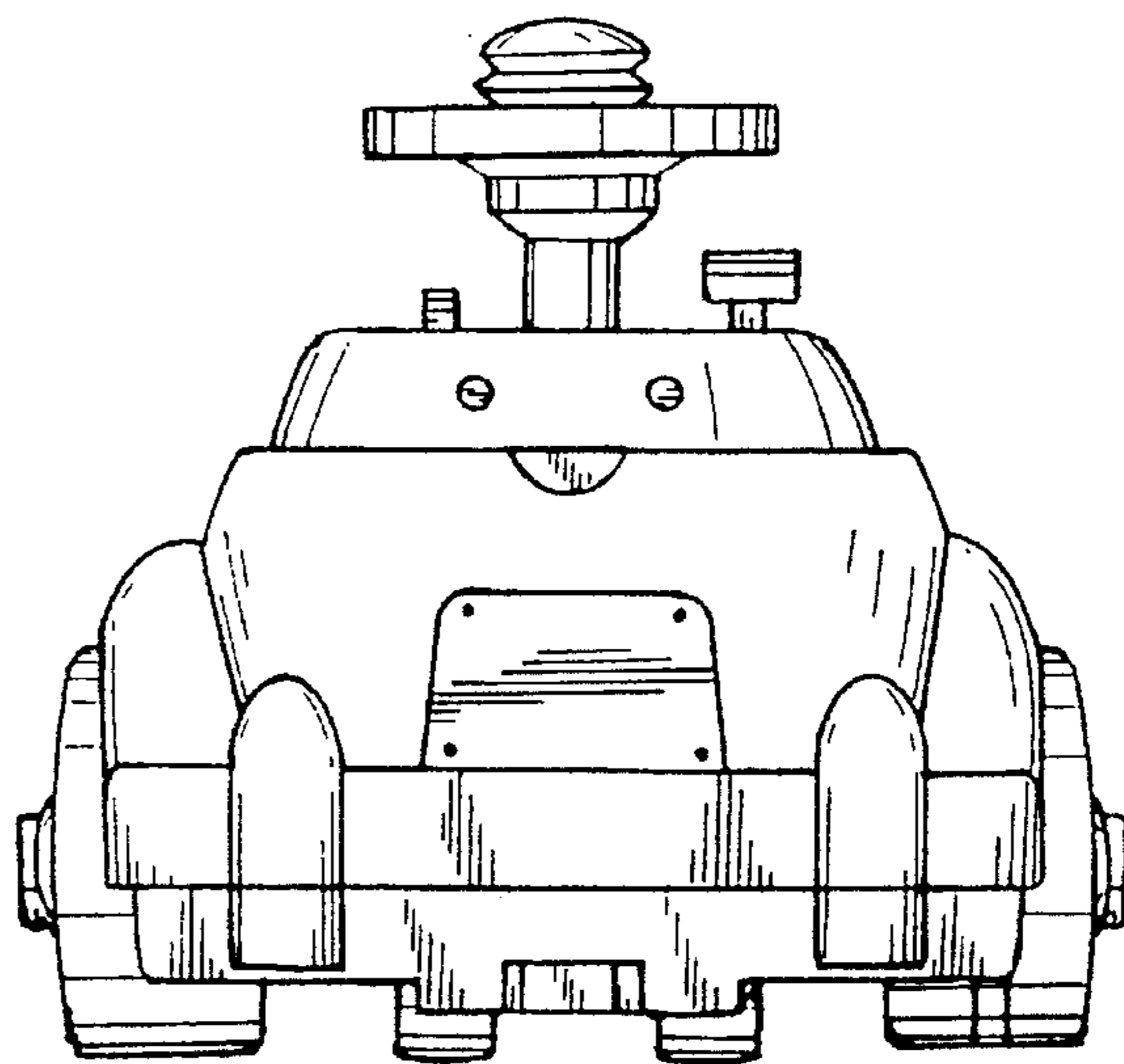


FIG. 6

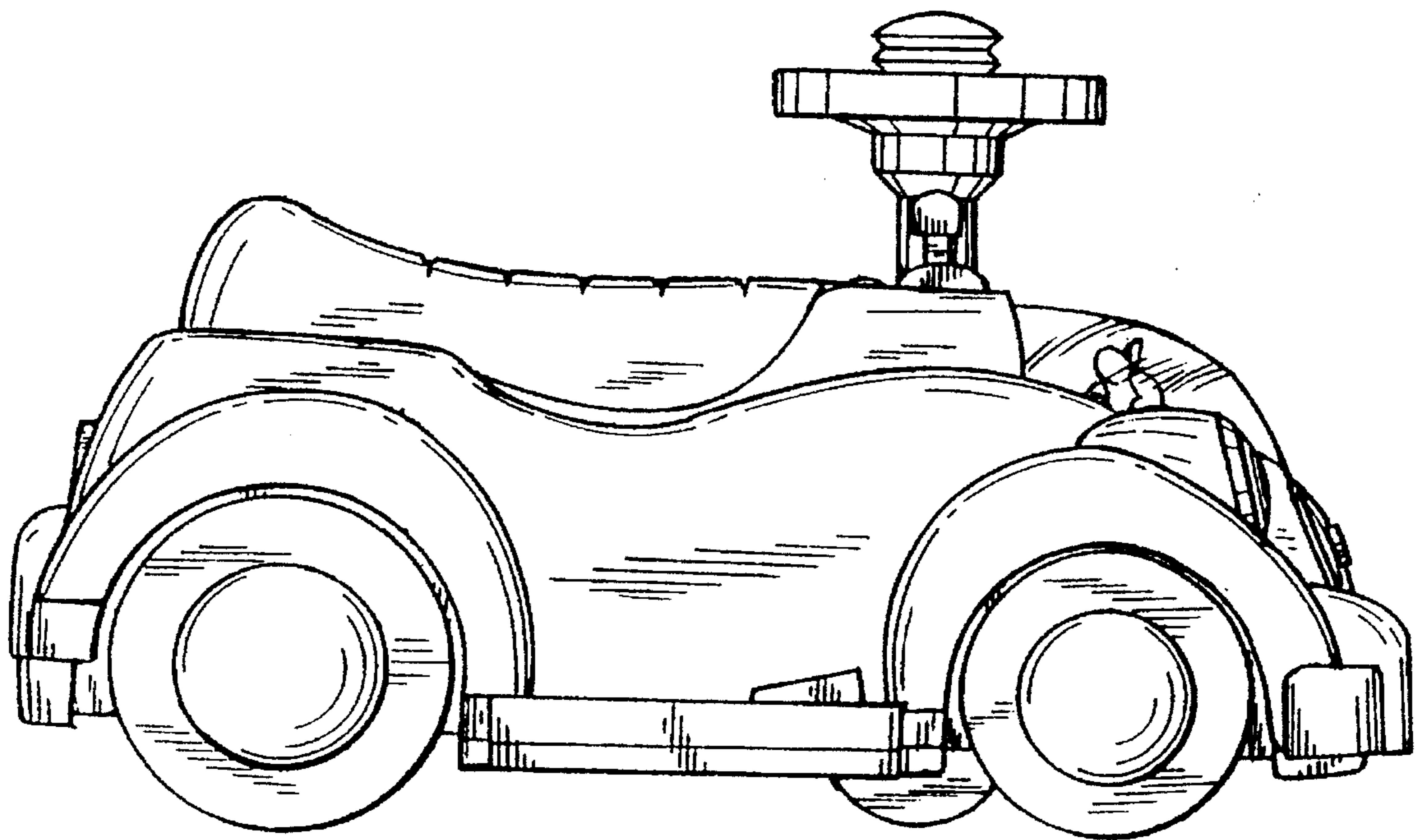


FIG. 7

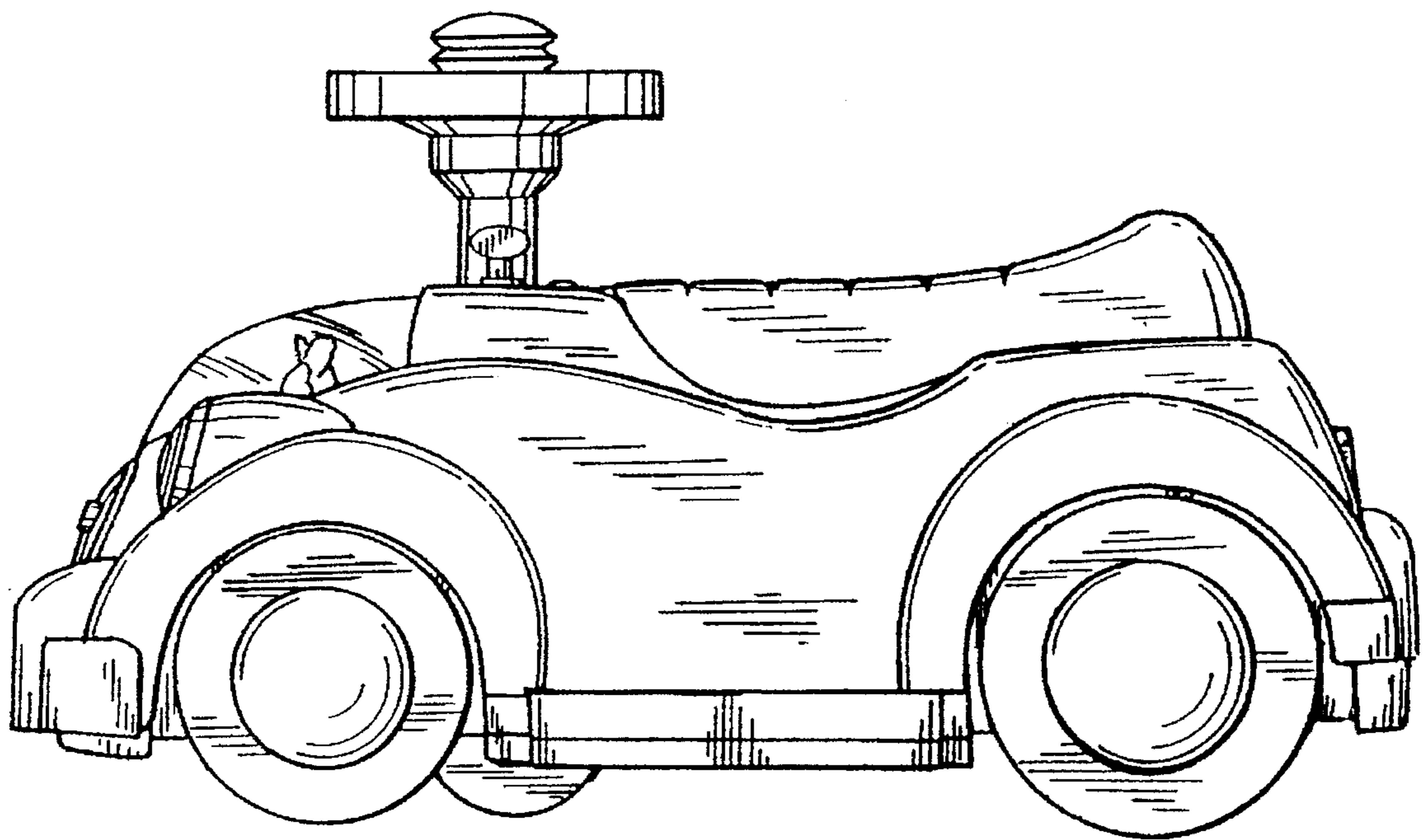


FIG. 9

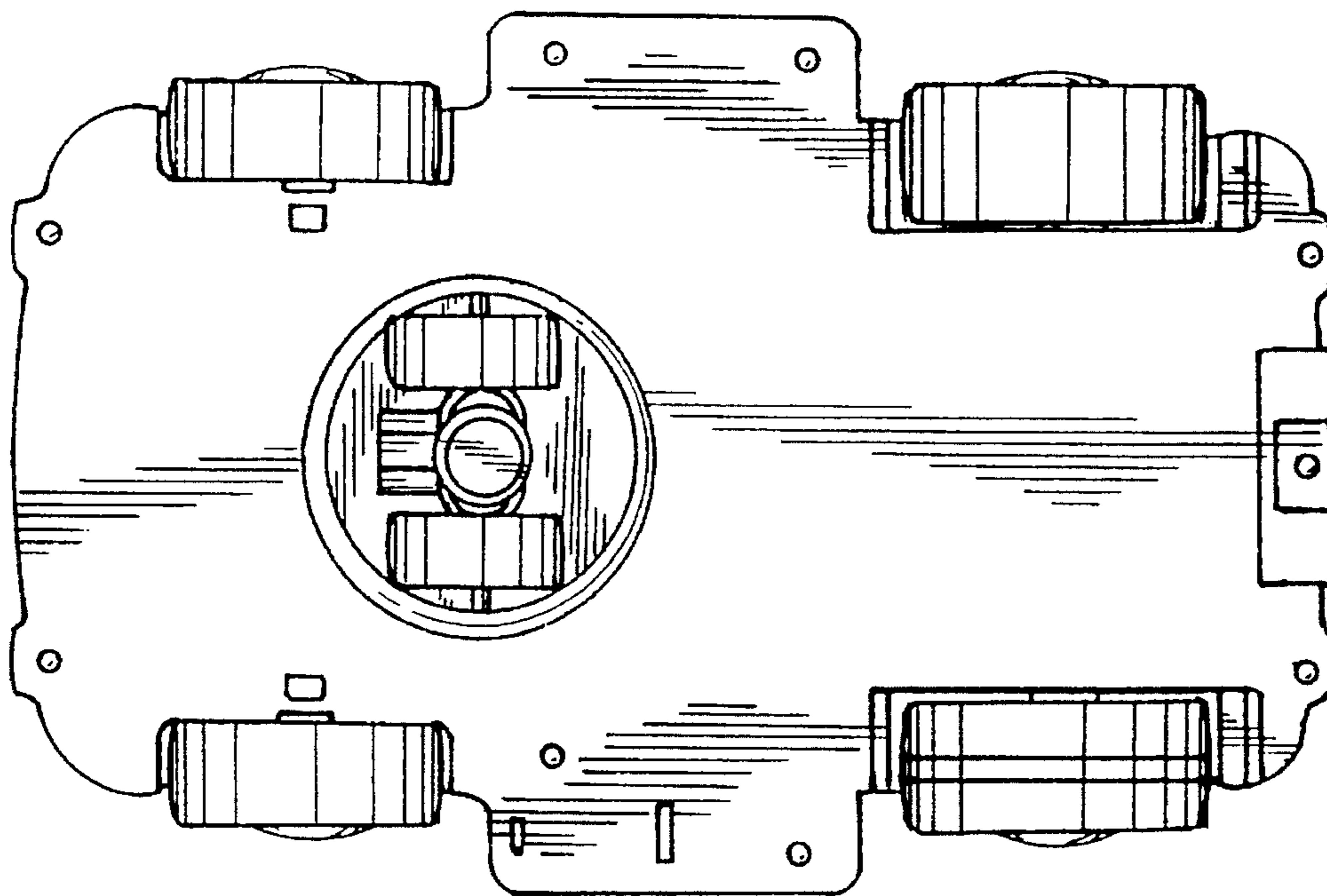


FIG. 8

