



US00D378102S

United States Patent [19]

Jamieson

[11] Patent Number: **Des. 378,102**

[45] Date of Patent: ****Feb. 18, 1997**

[54] **CADDY FOR DESK AND HANDTOOL ACCESSORIES**

[76] Inventor: **James Jamieson**, 508 W. Acacia Ave., El Segundo, Calif. 90245

[**] Term: **14 Years**

[21] Appl. No.: **31,958**

[22] Filed: **Dec. 9, 1994**

[52] U.S. Cl. **D19/77; D19/75; D19/85; D8/71**

[58] Field of Search D19/35, 36, 65, D19/75, 77, 78, 81-85, 95, 99, 100; 206/214, 224, 371; 211/69.1-69.9, 69; 297/461

[56] **References Cited**

U.S. PATENT DOCUMENTS

- D. 179,658 2/1957 Scelzo, Jr. D19/85
- D. 195,116 4/1963 Race D8/71 X
- D. 200,933 4/1965 Reiner D19/85

- D. 325,975 5/1992 Grade et al. D19/85 X
- D. 342,440 12/1993 Forsberg D8/71 X
- D. 348,080 6/1994 Pojoovits D19/82
- 2,354,118 7/1944 Hansen 211/69.5
- 3,335,435 8/1967 Marsh et al. 297/461 X

Primary Examiner—Martie Thompson
Attorney, Agent, or Firm—Roger A. Marrs

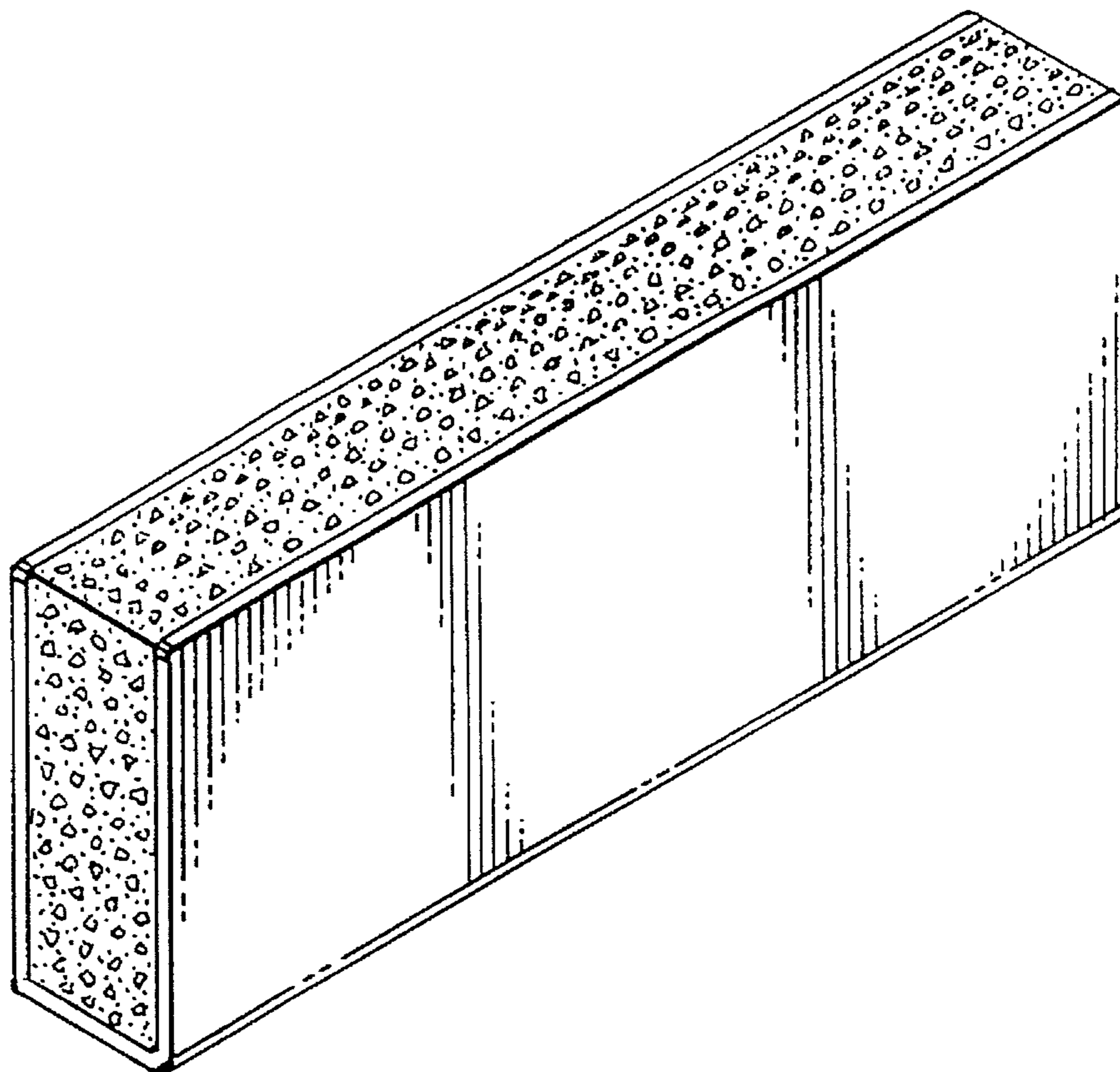
[57] **CLAIM**

The ornamental design for caddy for desk and handtool accessories, as shown.

DESCRIPTION

FIG. 1 is a front perspective view of a caddy for desk and handtool accessories showing my new design; FIG. 2 is a front elevational view thereof; FIG. 3 is a side elevational view with the opposite side being a mirror image thereof; FIG. 4 is a top plan view thereof; and, FIG. 5 is a bottom elevational view thereof.

1 Claim, 1 Drawing Sheet



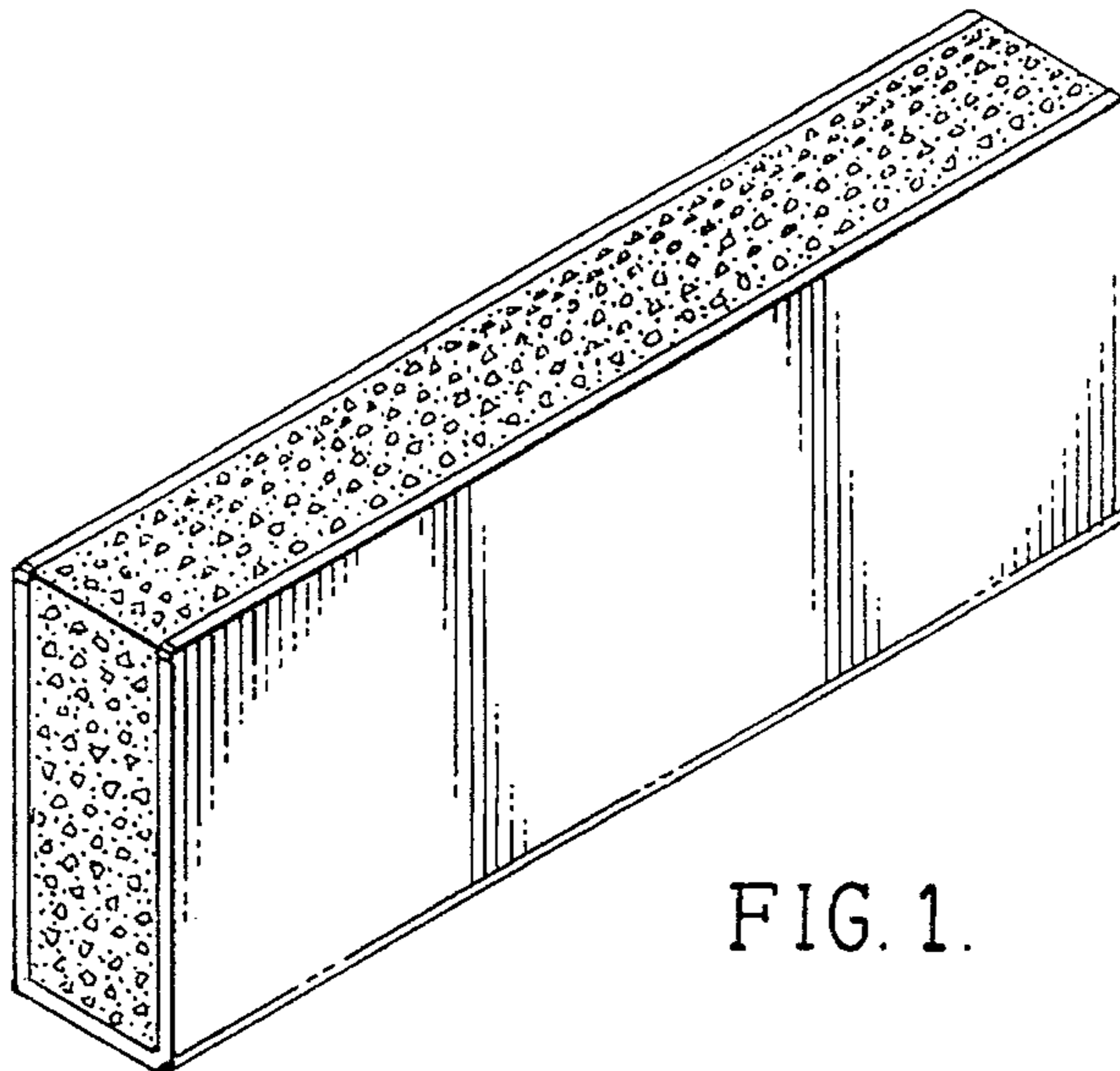


FIG. 1.

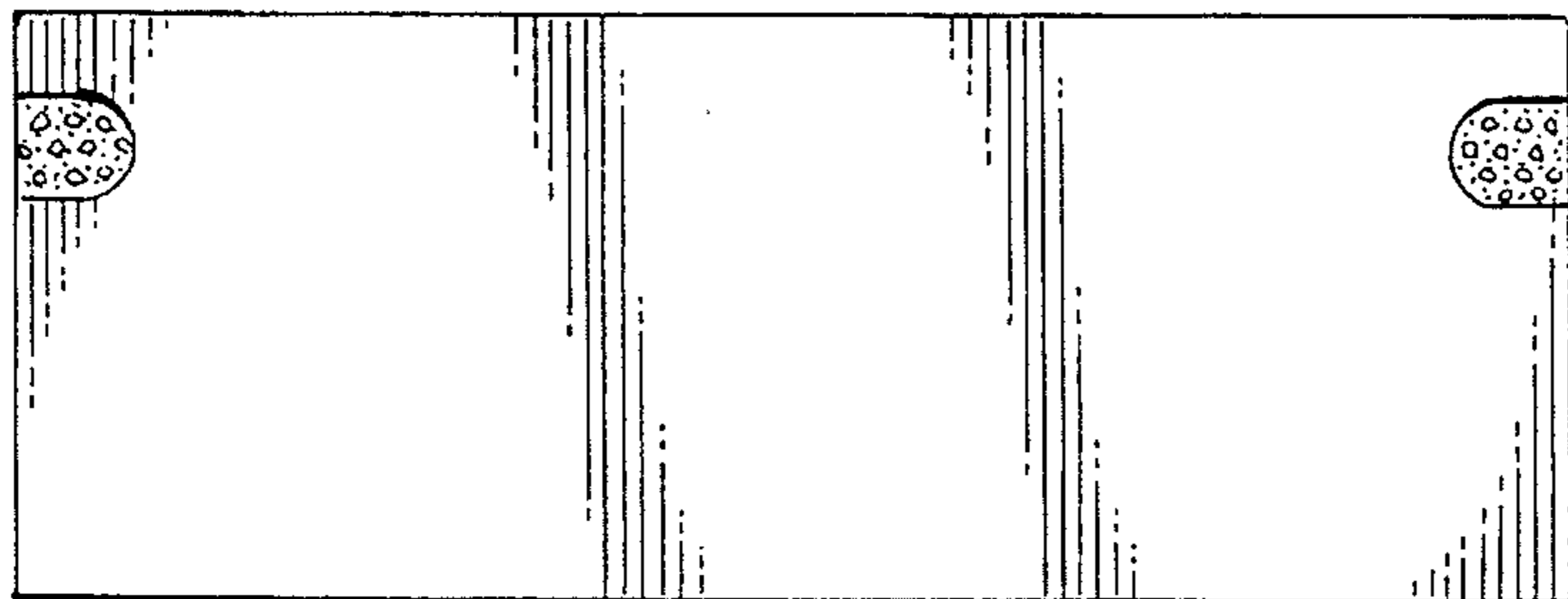


FIG. 2.

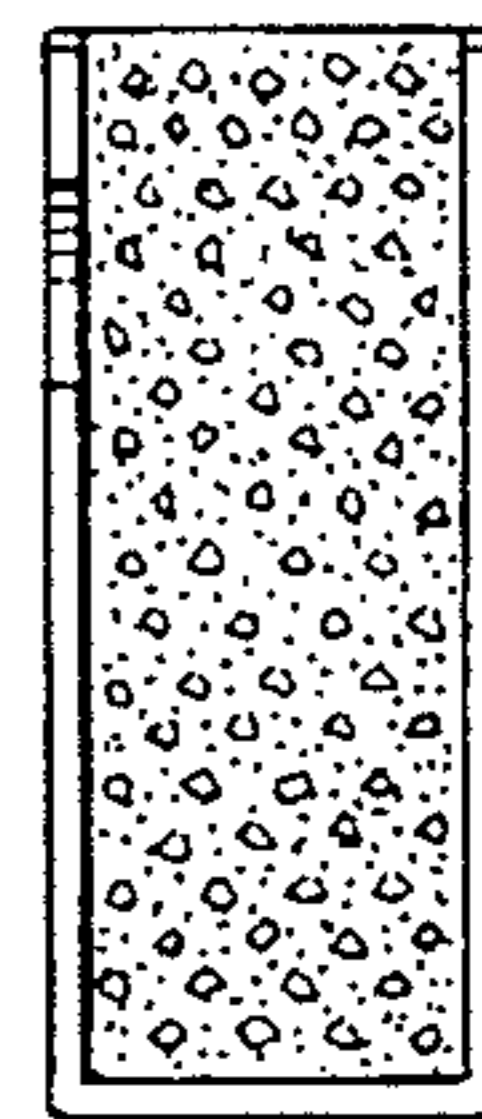


FIG. 3.

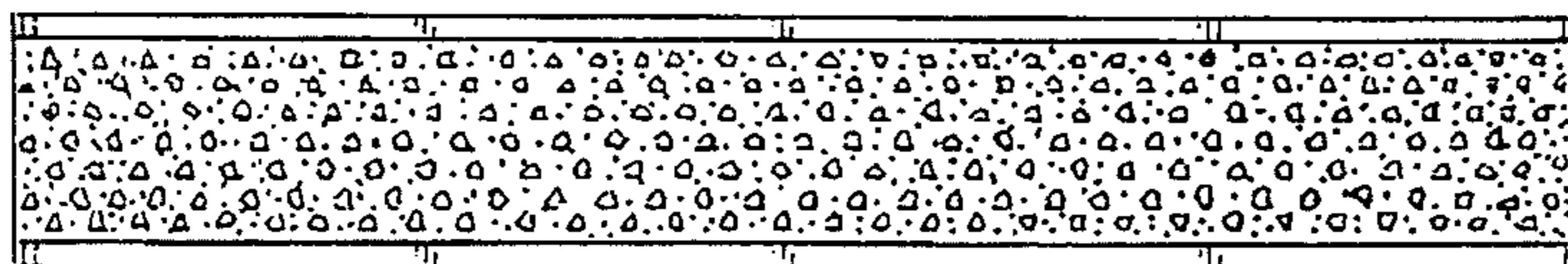


FIG. 4.

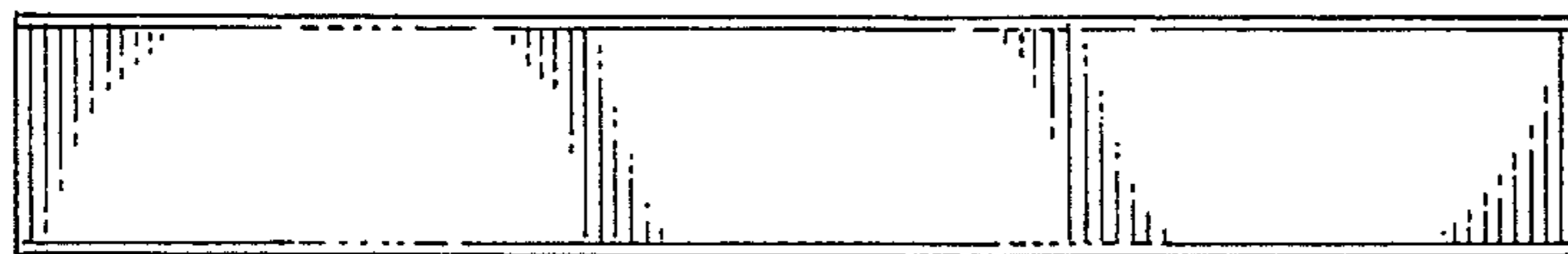


FIG. 5.