



US00D378096S

# United States Patent [19]

Harada

[11] Patent Number: **Des. 378,096**

[45] Date of Patent: **\*\*Feb. 18, 1997**

[54] **APPARATUS FOR PROJECTING VIDEO IMAGES**

[75] Inventor: **Tomohiro Harada**, Tokyo, Japan

[73] Assignee: **Sony Corporation**, Tokyo, Japan

[\*\*] Term: **14 Years**

[21] Appl. No.: **46,510**

[22] Filed: **Nov. 17, 1995**

### Related U.S. Application Data

[62] Division of Ser. No. 32,259, Dec. 12, 1994.

### [30] Foreign Application Priority Data

Jul. 15, 1994 [JP] Japan ..... 6-21268

[52] U.S. Cl. .... **D16/225**

[58] Field of Search ..... D16/221, 225,  
D16/229, 230, 232, 200-205; 353/115,  
119, 63-66, DIG. 3, DIG. 4

### [56] References Cited

#### U.S. PATENT DOCUMENTS

D. 167,874 9/1952 Wolk ..... D16/225  
D. 178,719 9/1956 Bersudsky ..... D16/232

D. 184,949 4/1959 Mackay ..... D16/221  
D. 198,602 7/1964 Burgess ..... D16/205  
D. 199,337 10/1964 Taylor ..... D16/232  
3,117,489 1/1964 Wilton ..... 353/66

*Primary Examiner*—Ted Shooman

*Assistant Examiner*—Adir Aronovich

*Attorney, Agent, or Firm*—Beveridge, DeGrandi, Weilacher & Young LLP

### [57] CLAIM

The ornamental design for an apparatus for projecting video images, as shown and described.

### DESCRIPTION

FIG. 1 is a front left perspective view of the apparatus for projecting video images showing my new design; FIG. 2 is a rear right perspective view thereof; FIG. 3 is a front elevational view thereof; FIG. 4 is a rear elevational view thereof; FIG. 5 is a top plan view thereof; FIG. 6 is a bottom plan view thereof; FIG. 7 is a left side elevational view thereof; FIG. 8 is a right side elevational view thereof; and, FIG. 9 is a perspective view thereof with the lens turned upright.

**1 Claim, 4 Drawing Sheets**

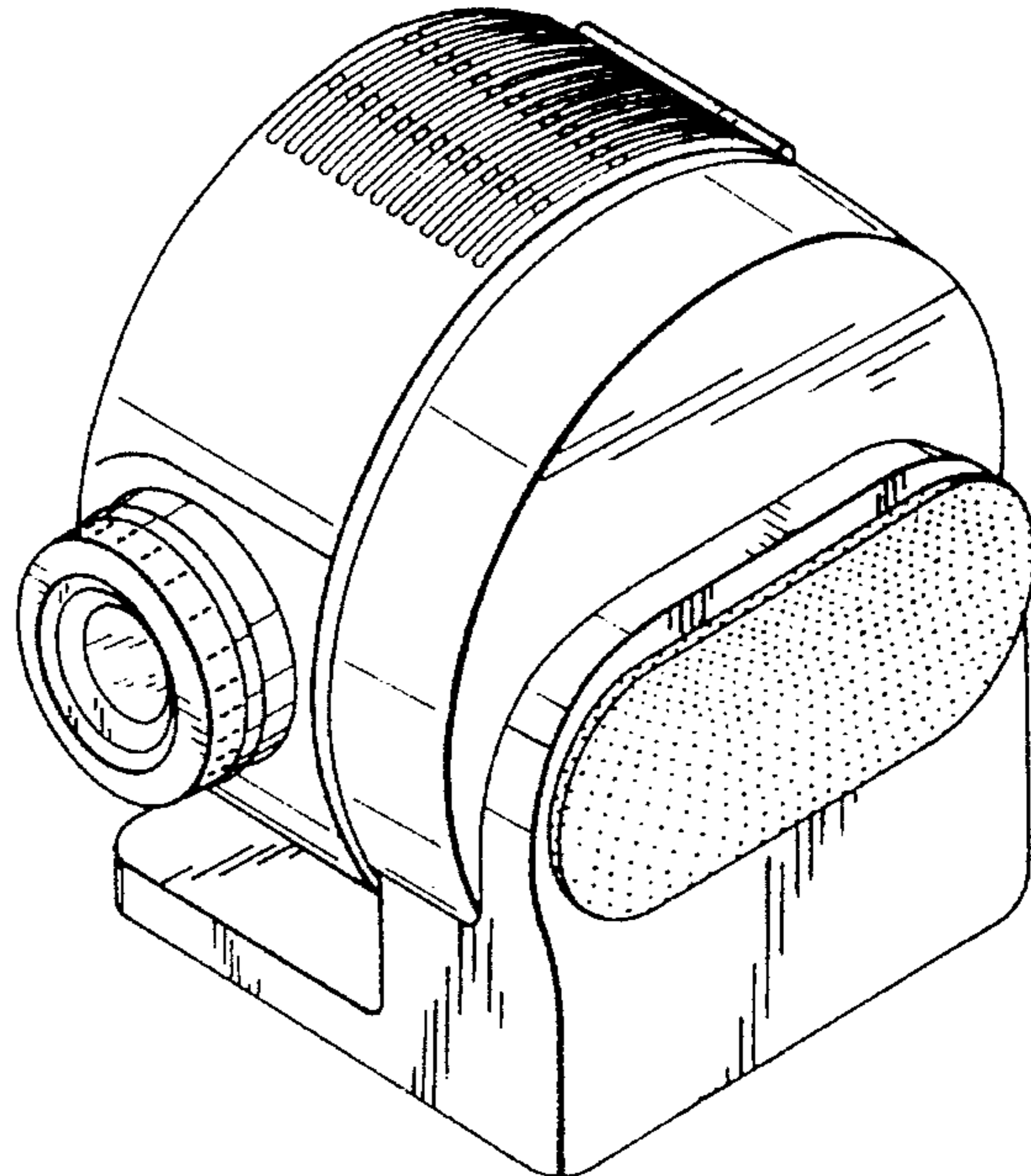
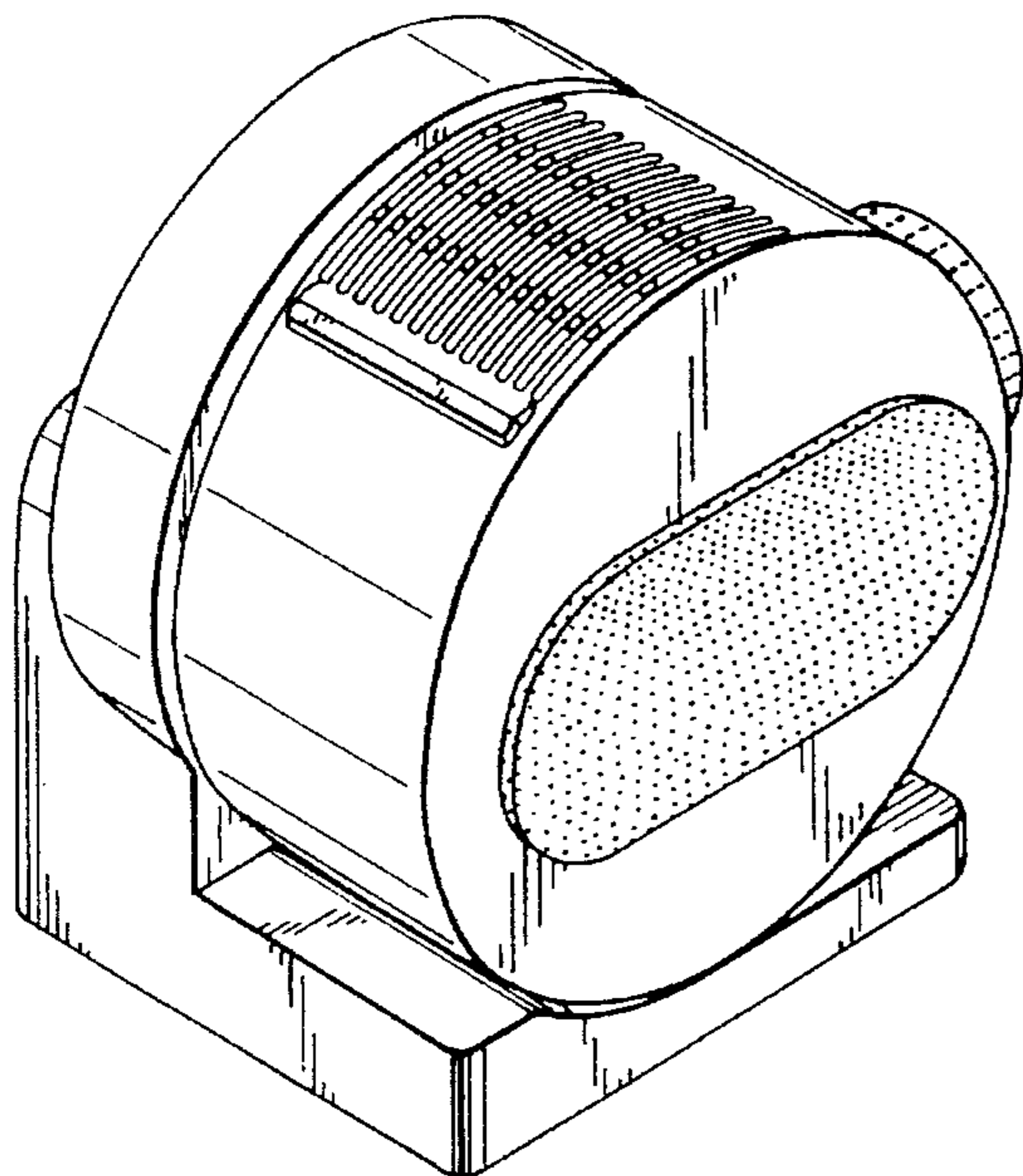


FIG. 1

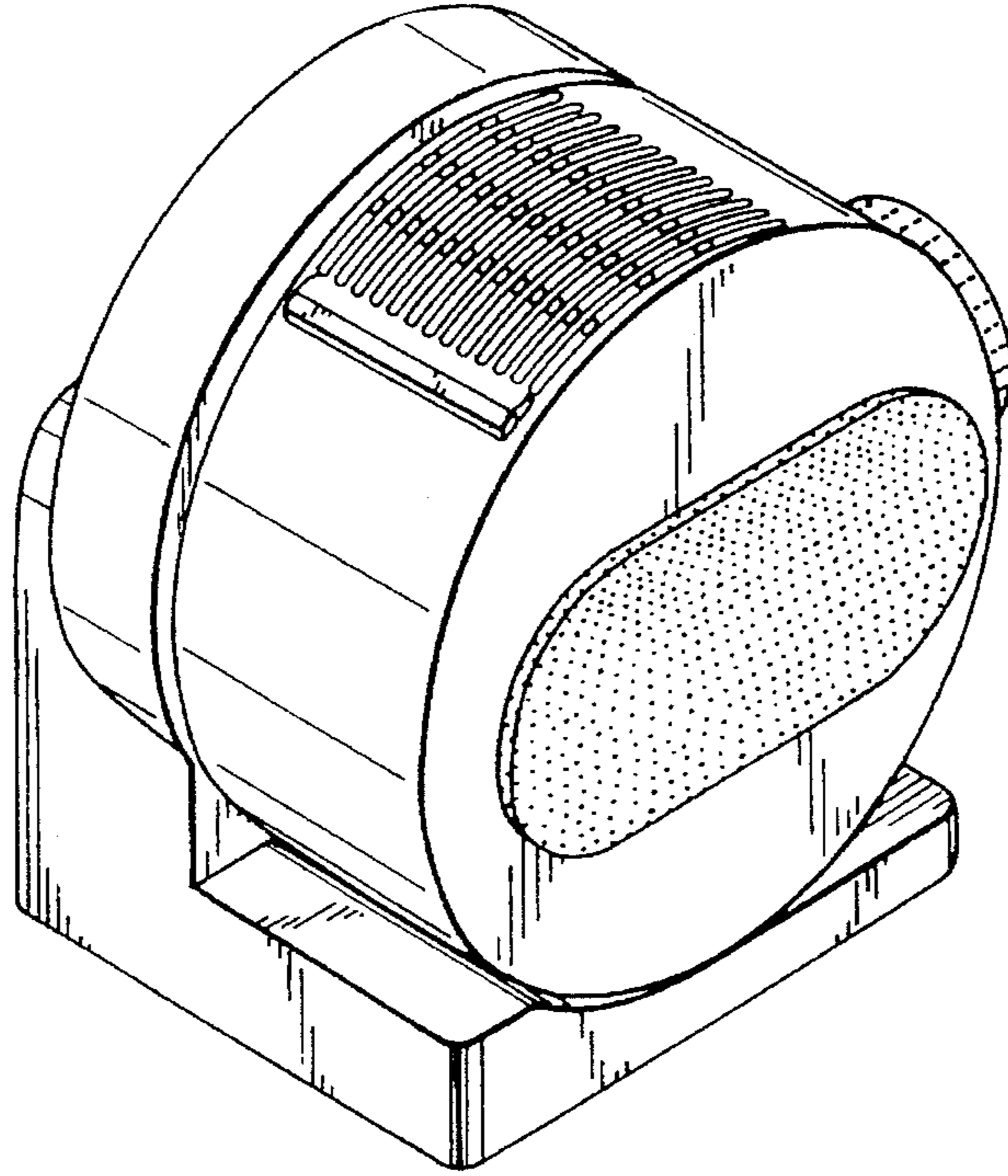


FIG. 2

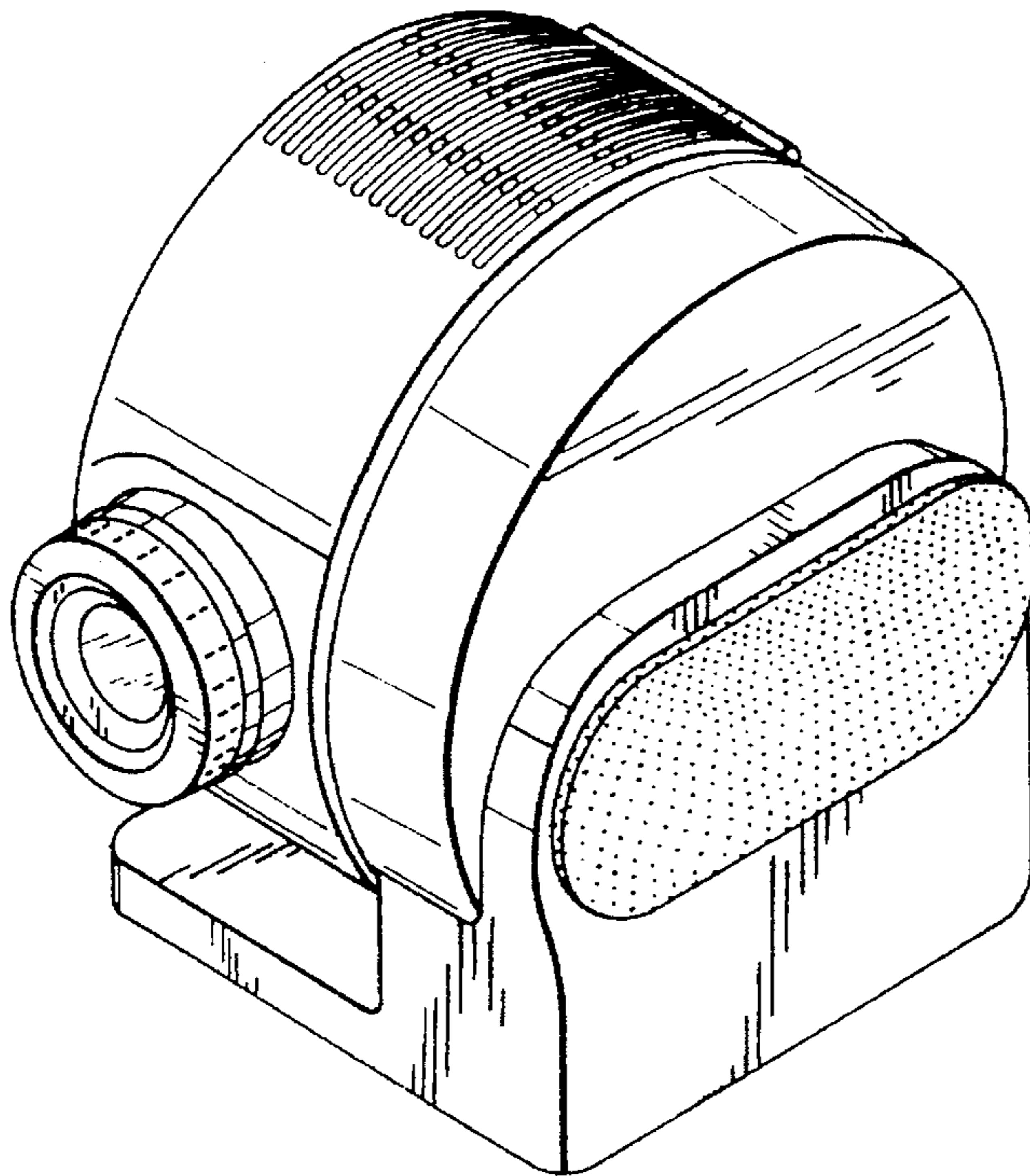


FIG. 3

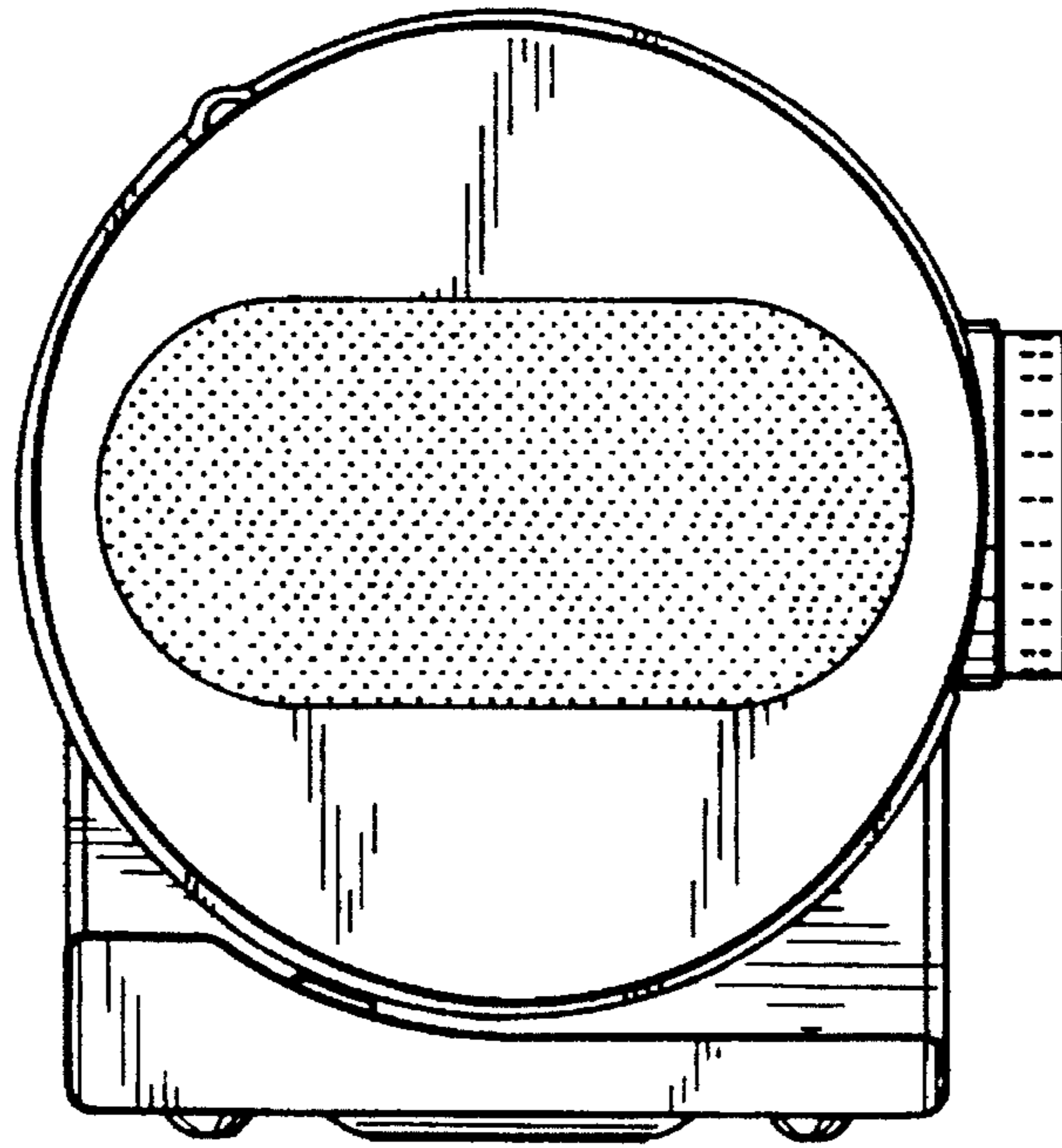


FIG. 4

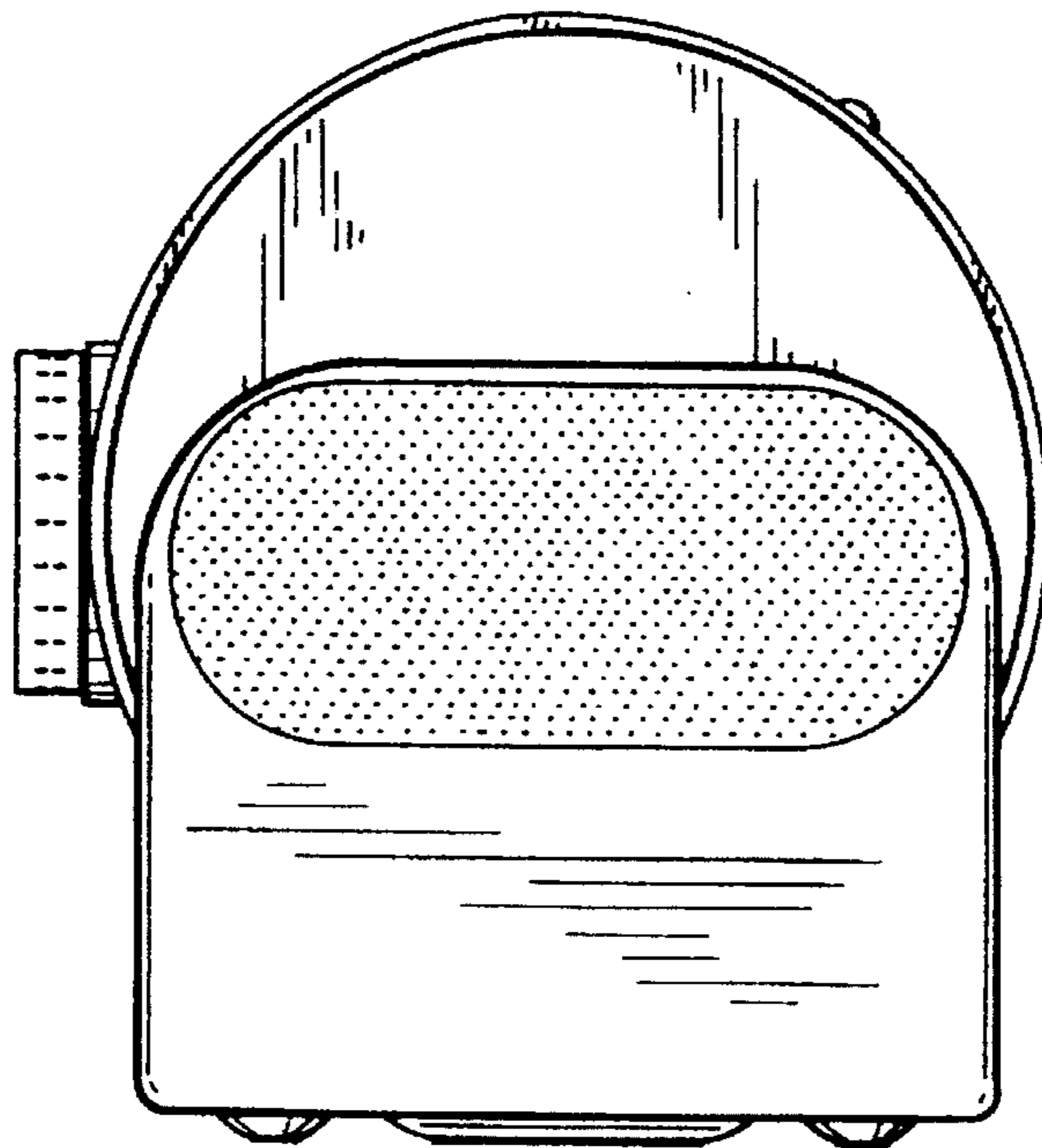


FIG. 5

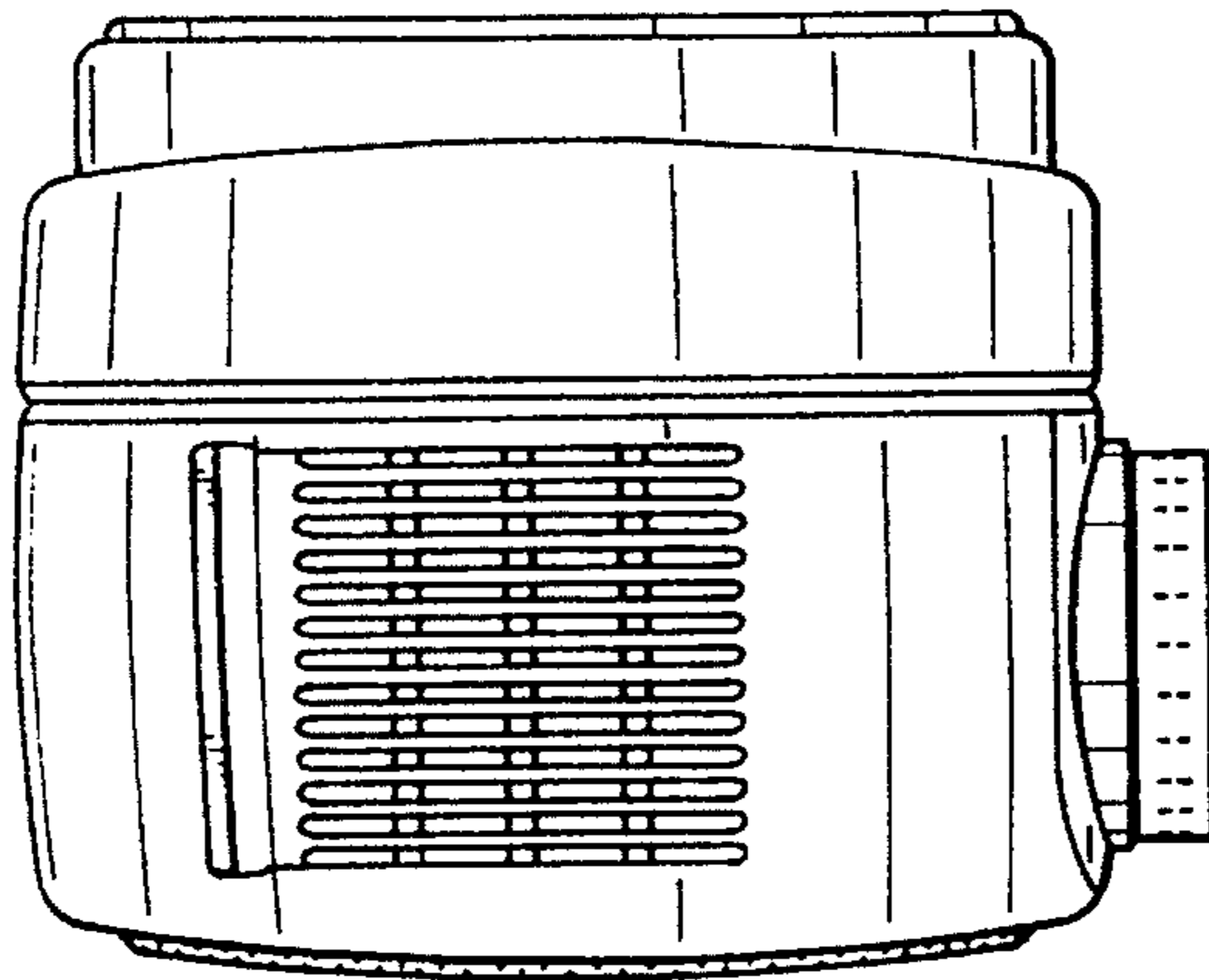


FIG. 6

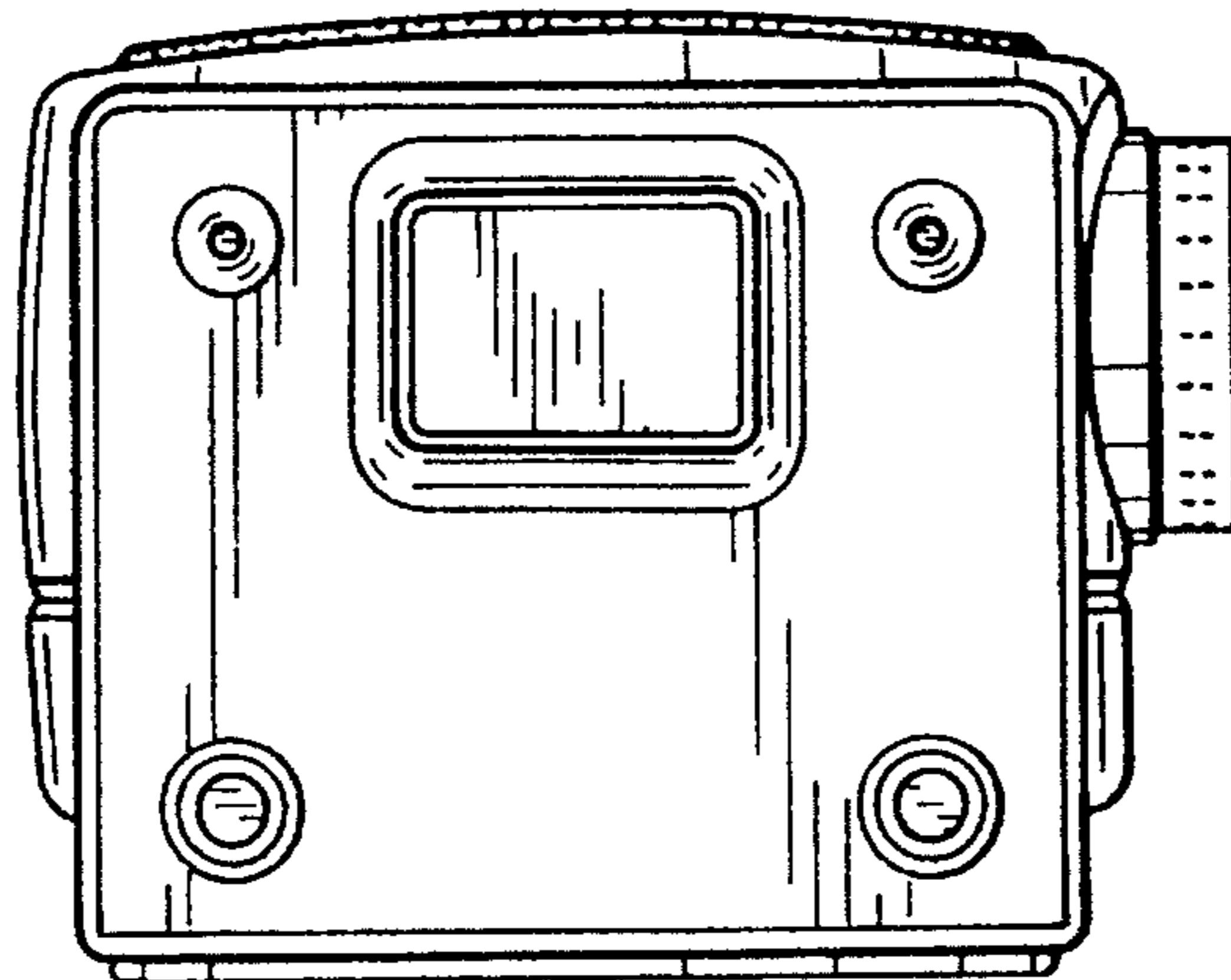


FIG. 7

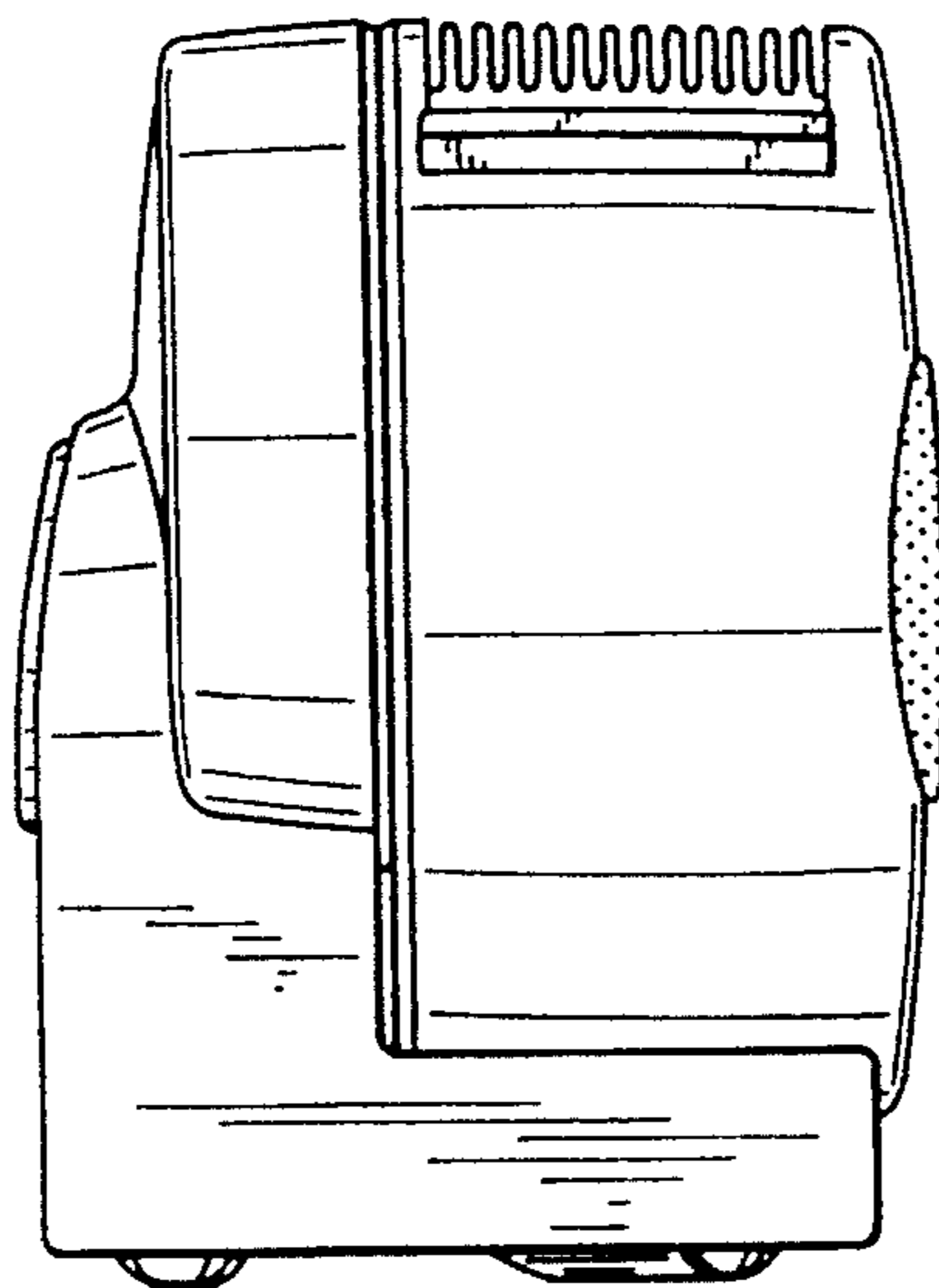


FIG. 8

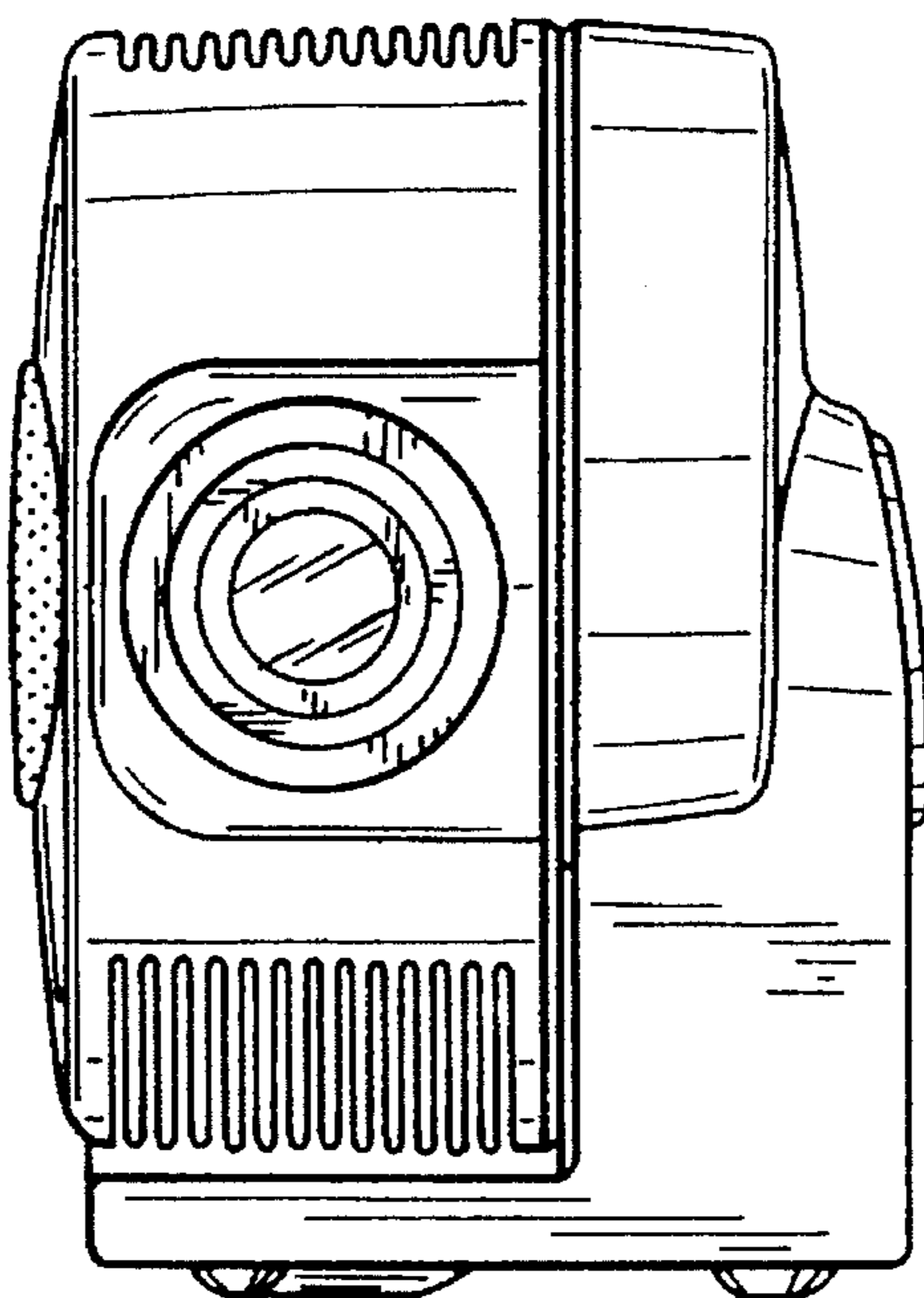


FIG. 9

