



US00D378094S

# United States Patent [19]

Eberhard

[11] Patent Number: **Des. 378,094**

[45] Date of Patent: **\*\*Feb. 18, 1997**

[54] **BORING JIG**

[76] Inventor: **Josef Eberhard**, Hauptstrasse 41,  
A-8502 Lannach Österreich, Austria

[\*\*] Term: **14 Years**

[21] Appl. No.: **43,267**

[22] Filed: **Aug. 30, 1995**

[30] **Foreign Application Priority Data**

Mar. 3, 1995 [AT] Austria ..... MU 722/95

[52] U.S. Cl. .... **D15/140**

[58] Field of Search ..... D15/140; 33/638,  
33/645; 144/24, 106; 269/220, 282; 408/16,  
72 R, 72 B, 97, 103, 108, 109, 110, 112,  
115 R, 241 B

[56] **References Cited**

**U.S. PATENT DOCUMENTS**

2,404,456 7/1946 Pierce ..... 33/645 X  
2,466,023 4/1949 Griffin ..... 408/79

2,798,520 7/1957 Maskulka et al. .... 408/72 R  
3,276,326 10/1966 Gibbons et al. .... 144/24 X  
3,804,546 4/1974 Boyajian ..... 408/115 R  
4,176,989 12/1979 Wolff ..... 408/115 R  
5,017,056 5/1991 Morash ..... 33/638 X

*Primary Examiner*—Antoine Duval Davis  
*Attorney, Agent, or Firm*—Cohen, Pontani, Lieberman, Pavane; Christa Hildebrand

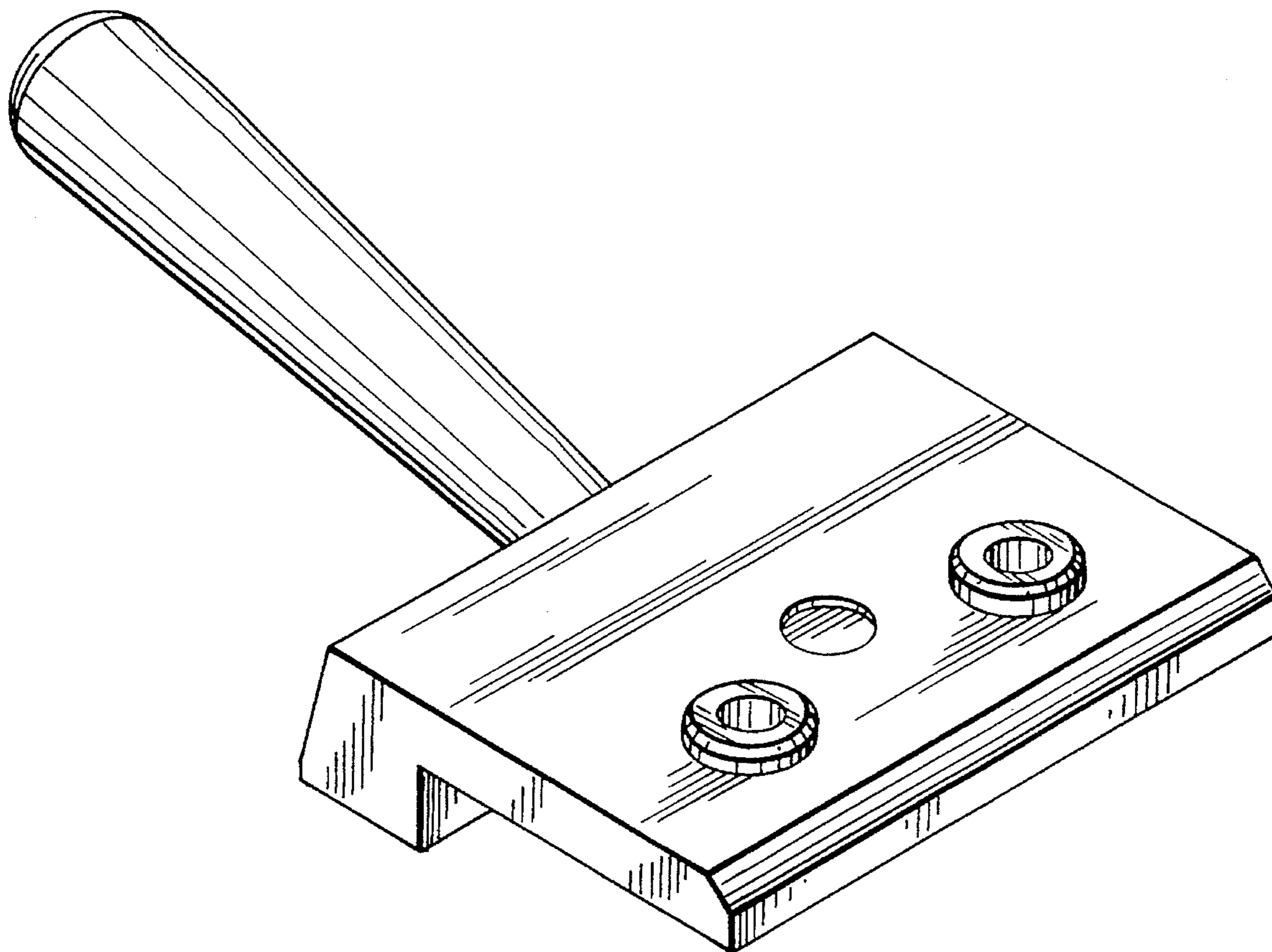
[57] **CLAIM**

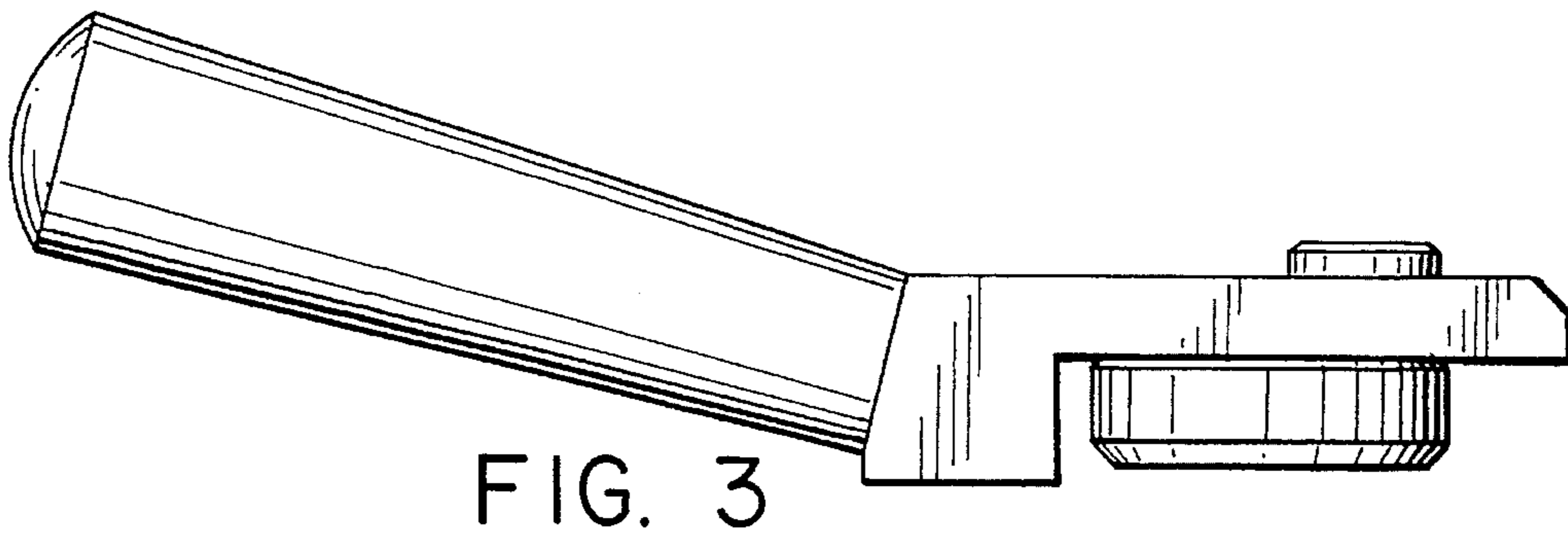
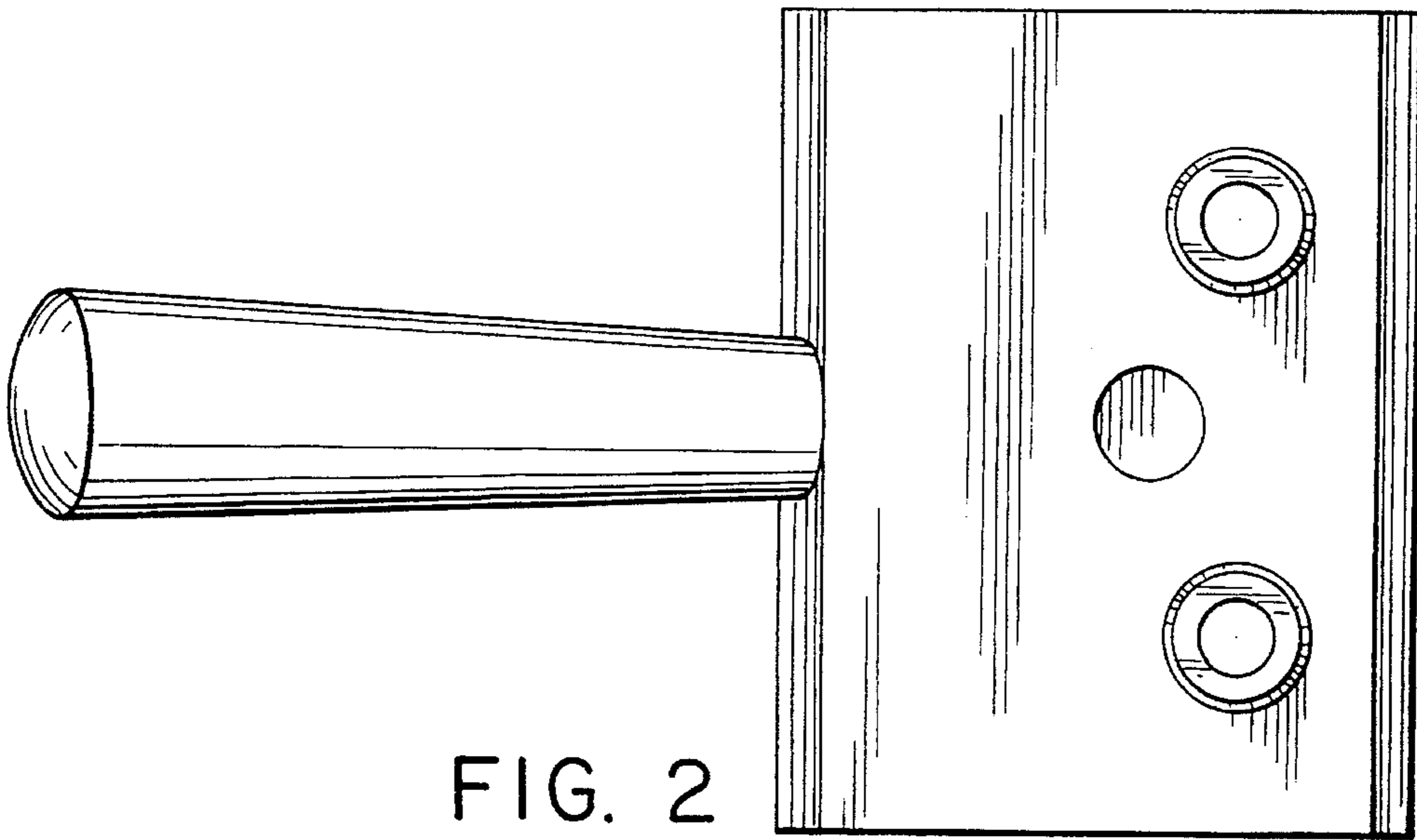
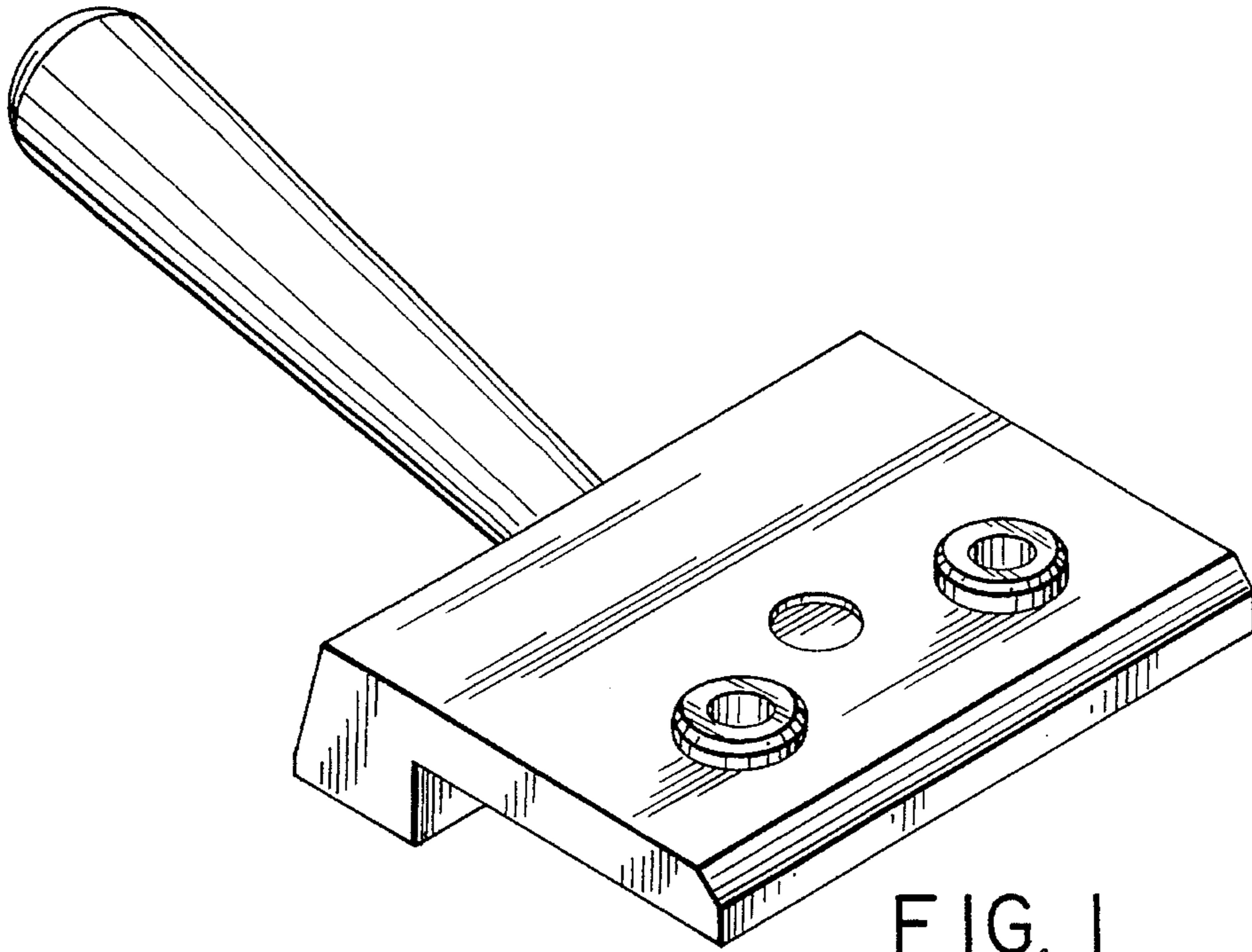
The ornamental design for a boring jig, as shown and described.

**DESCRIPTION**

FIG. 1 is a perspective view of my design;  
FIG. 2 is top view of my design;  
FIG. 3 is a side view of my design;  
FIG. 4 is a side view of my design;  
FIG. 5 is a front view of my design;  
FIG. 6 is a rear view of my design; and,  
FIG. 7 is a bottom view of my design.

**1 Claim, 2 Drawing Sheets**





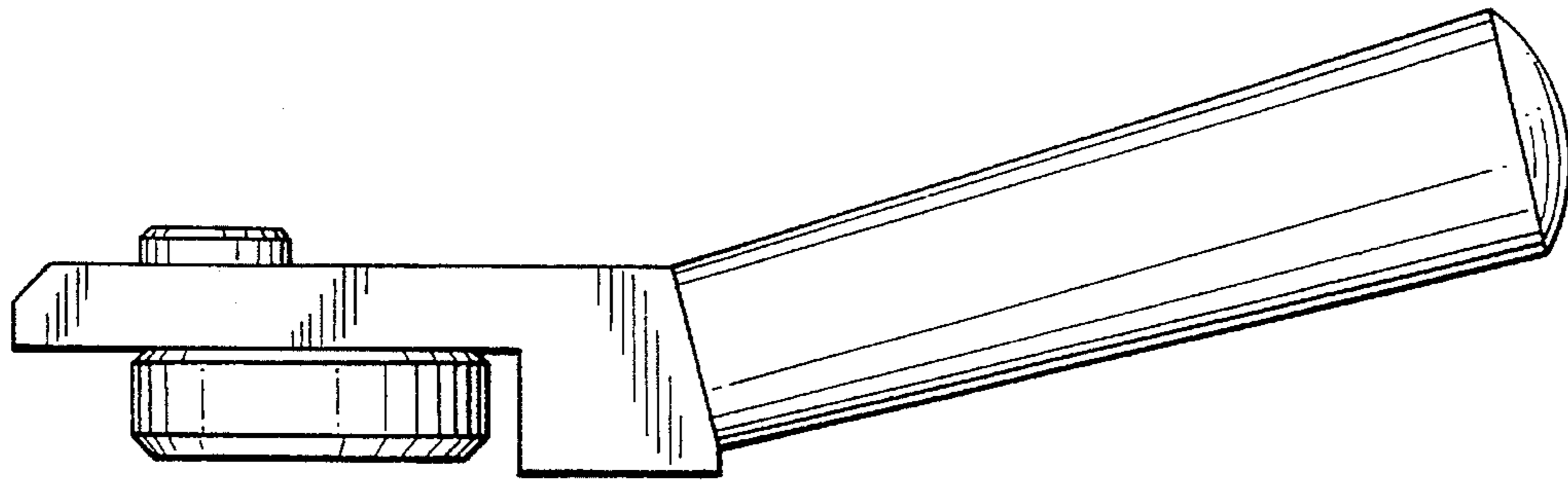


FIG. 4

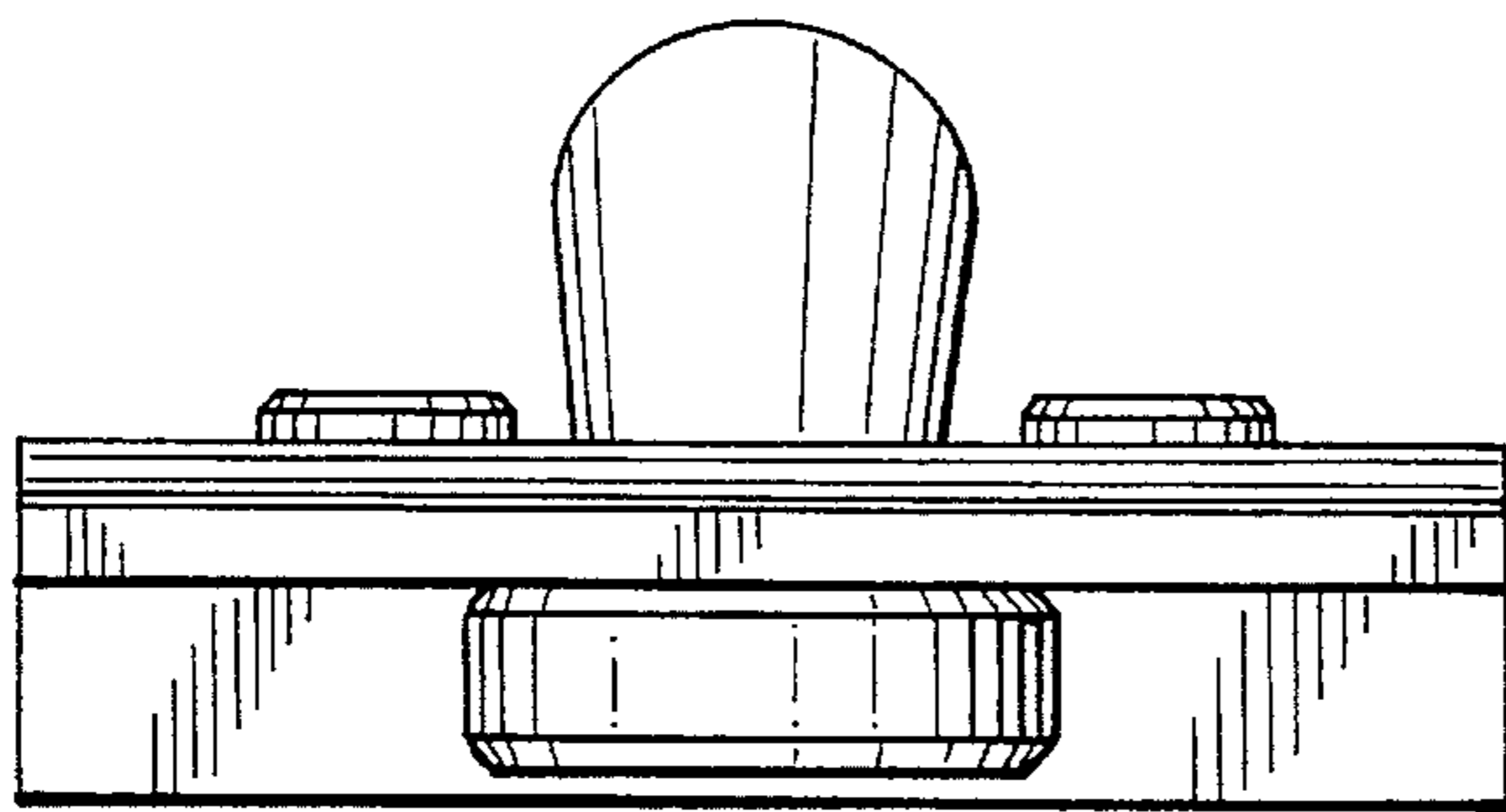


FIG. 5

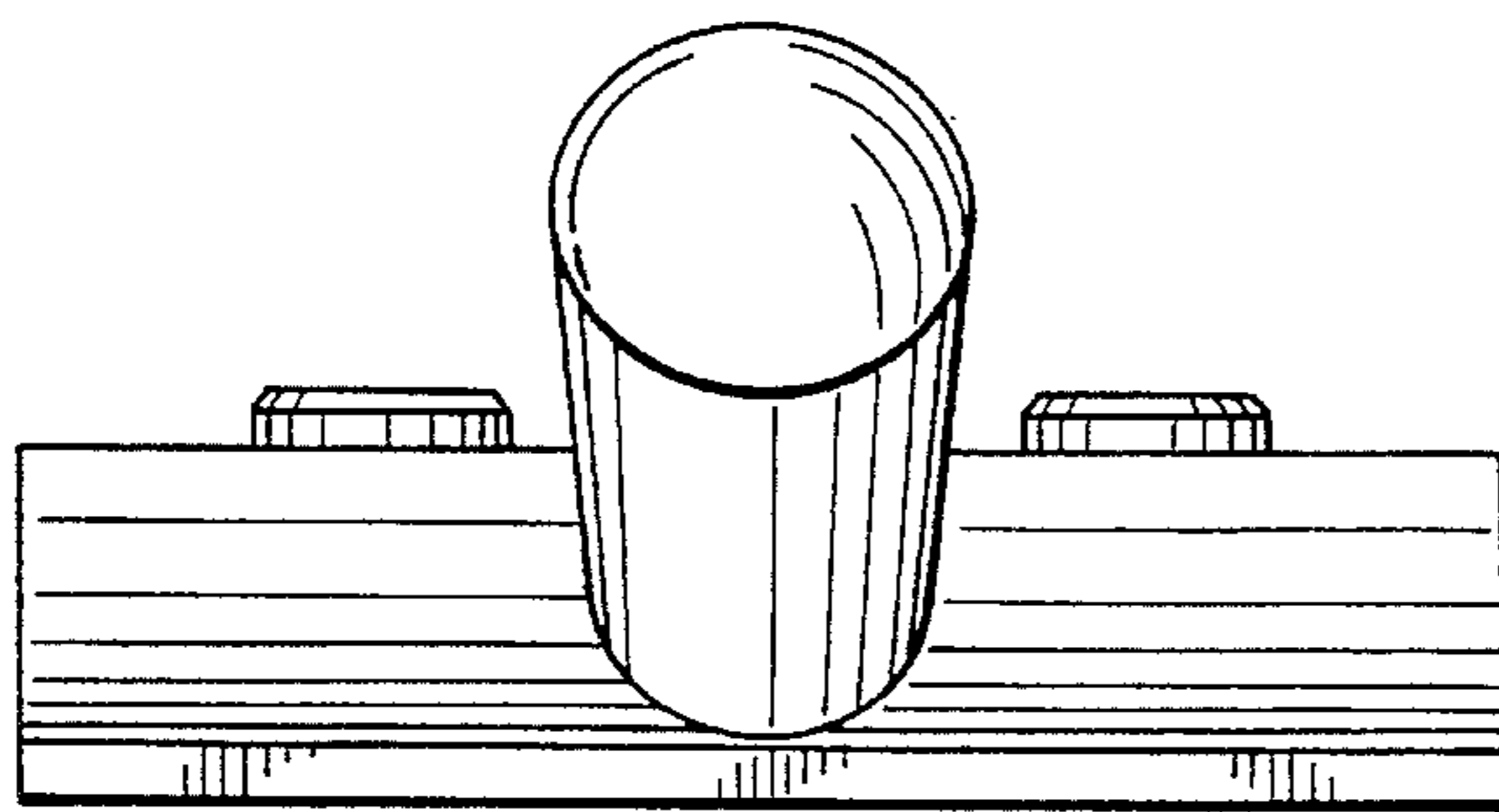


FIG. 6

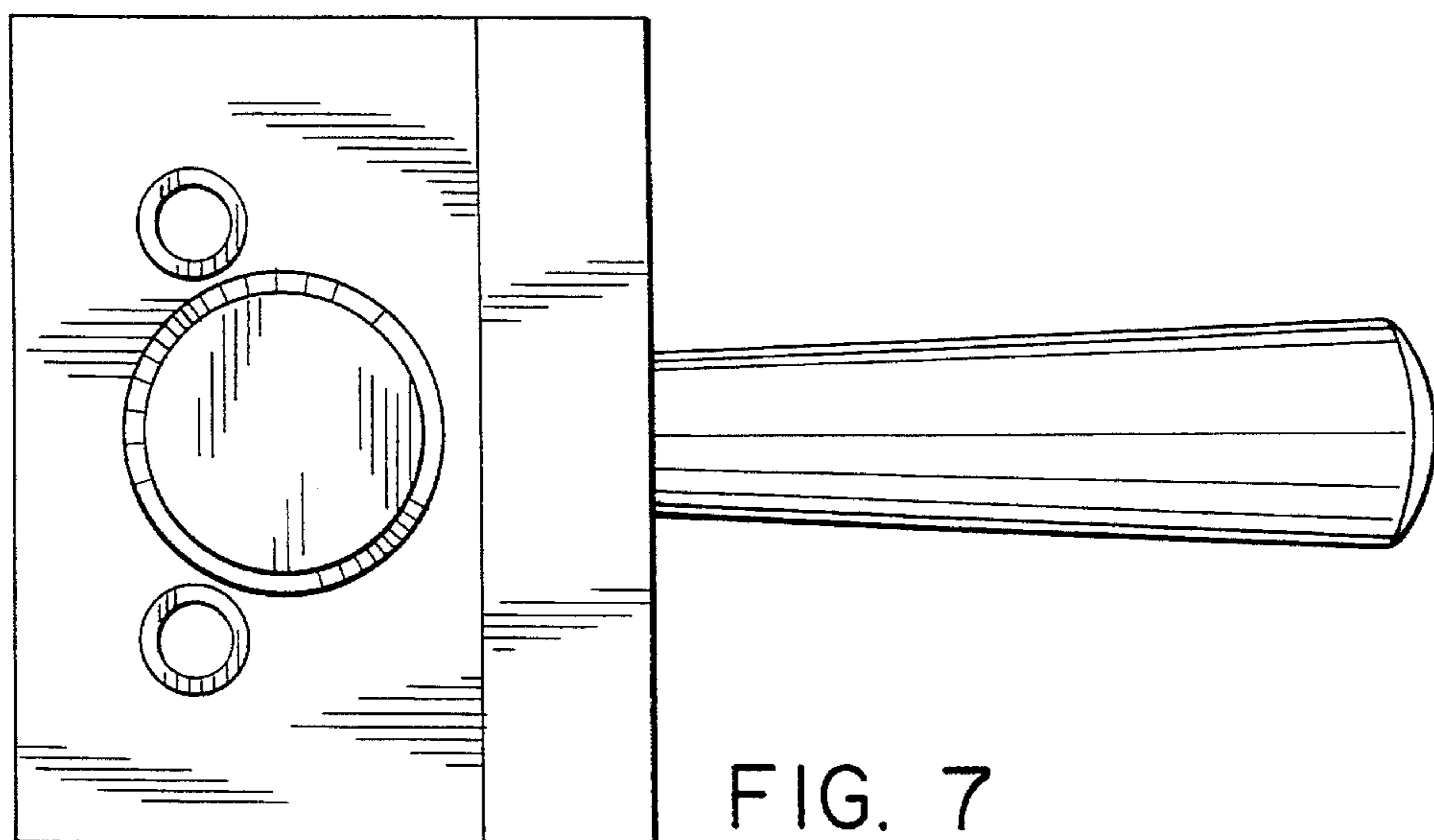


FIG. 7