



US00D378090S

United States Patent [19]

Yuen

[11] Patent Number: **Des. 378,090**

[45] Date of Patent: ****Feb. 18, 1997**

[54] **COMBINED RADIO, FIRST AID KIT AND FLASHLIGHT**

[75] Inventor: **Se Kit Yuen**, Kowloon, Hong Kong

[73] Assignee: **John Manufacturing Limited**,
Kowloon, Hong Kong

[**] Term: **14 Years**

[21] Appl. No.: **47,447**

[22] Filed: **Dec. 4, 1995**

Related U.S. Application Data

[62] Division of Ser. No. 27,549, Aug. 24, 1994.

[30] Foreign Application Priority Data

Jun. 2, 1994 [GB] United Kingdom 2039449

[52] U.S. Cl. **D14/168**; D26/38

[58] Field of Search D3/203, 274, 282;
D14/168-170, 188-189, 192-198; D26/38,
48, 50; 455/344, 347, 350, 351

[56] References Cited

U.S. PATENT DOCUMENTS

D. 296,243 6/1988 Ohashi D26/38

D. 302,013 7/1989 Yuen D26/38 X
D. 306,211 2/1990 Maruyama D26/38
D. 321,262 10/1991 Yuen D26/38
D. 323,166 1/1992 Hino et al. D14/195

OTHER PUBLICATIONS

Hong Kong Enterprises Oct. 1990, p. 23, HE-851 All-
-Weather emergency flashlight Radio.

Primary Examiner—Sandra L. Morris
Assistant Examiner—Nanda Bondade
Attorney, Agent, or Firm—Darby & Darby

[57] CLAIM

The ornamental design for a combined radio, first aid kit and flashlight, as shown and described.

DESCRIPTION

FIG. 1 is a front elevational view of a combined radio, first aid kit and flashlight, showing my new design;
FIG. 2 is a rear elevational view thereof;
FIG. 3 is a top plan view thereof;
FIG. 4 is a bottom plan view thereof;
FIG. 5 is a right side elevational view thereof;
FIG. 6 is a left side elevational view thereof; and,
FIG. 7 is a perspective view thereof.

1 Claim, 4 Drawing Sheets

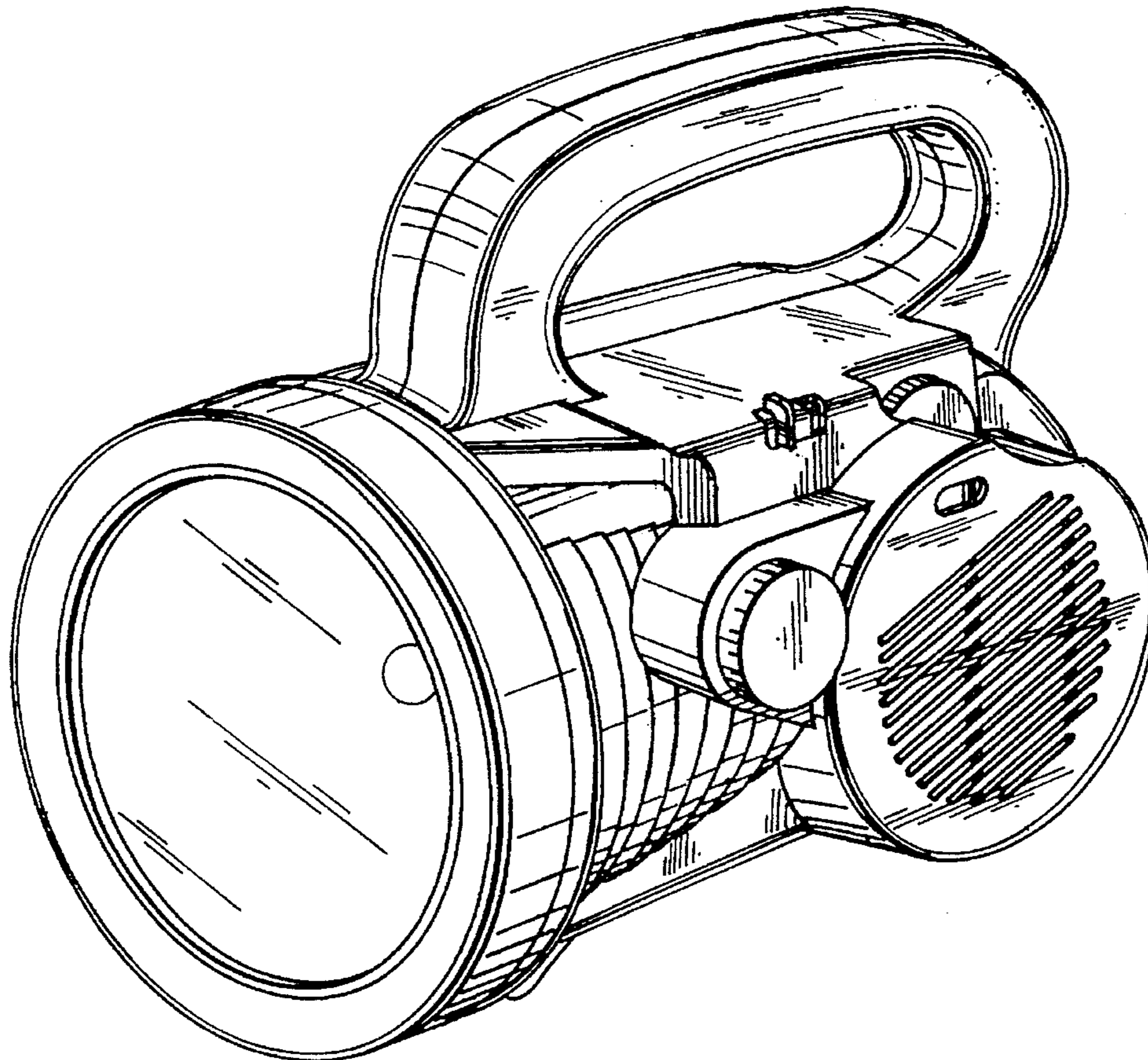


FIG. 1

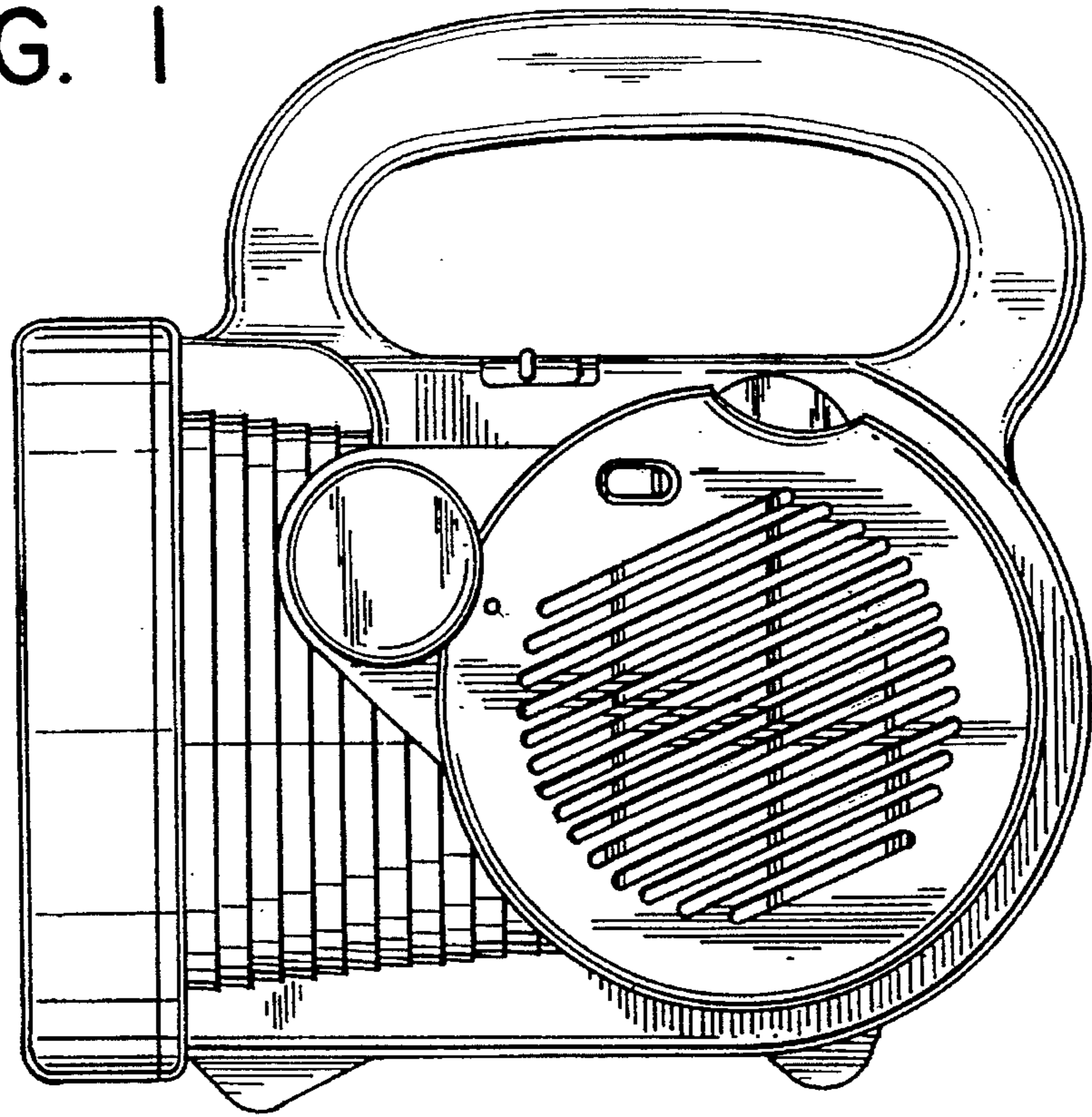


FIG. 2

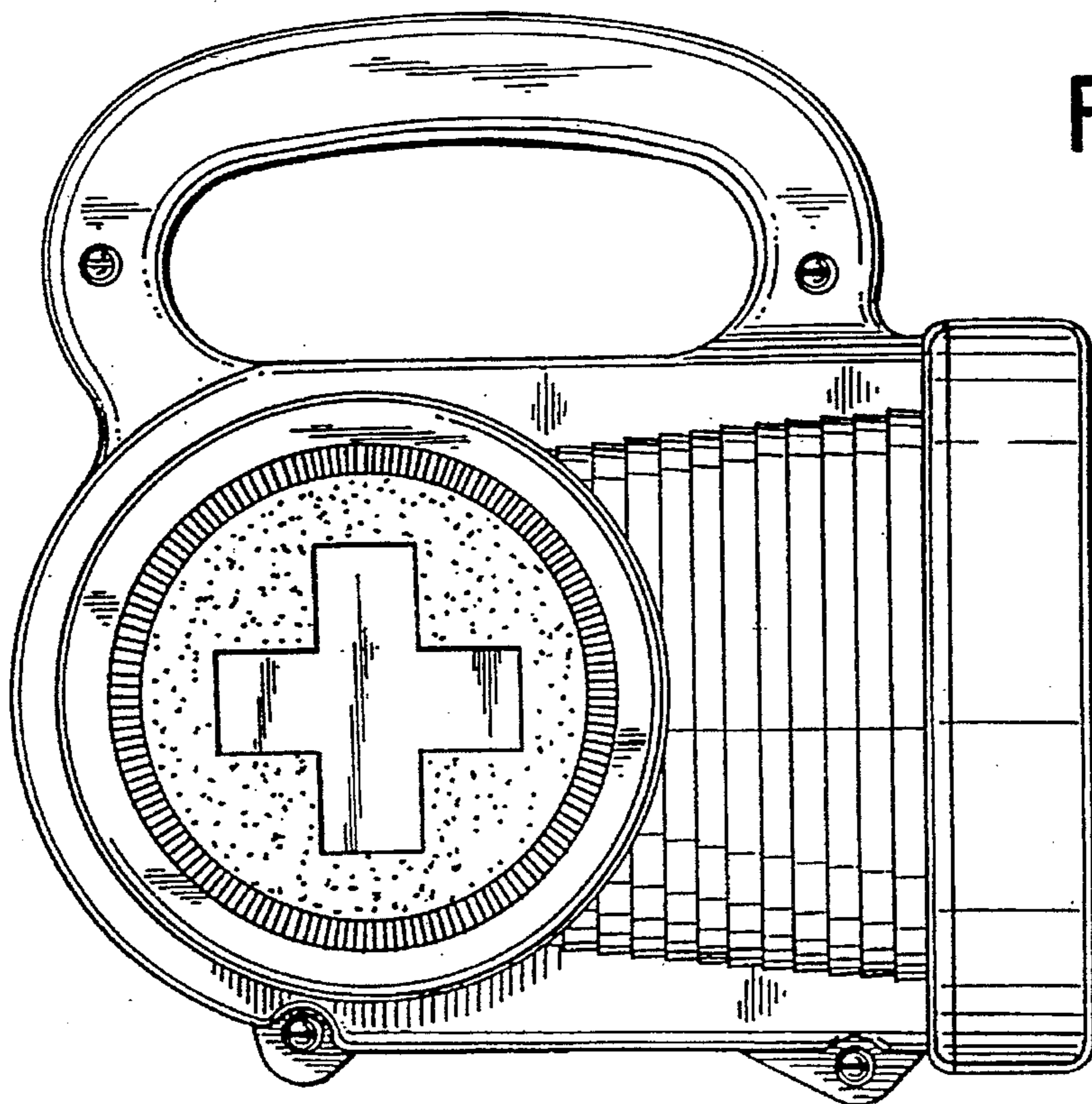


FIG. 3

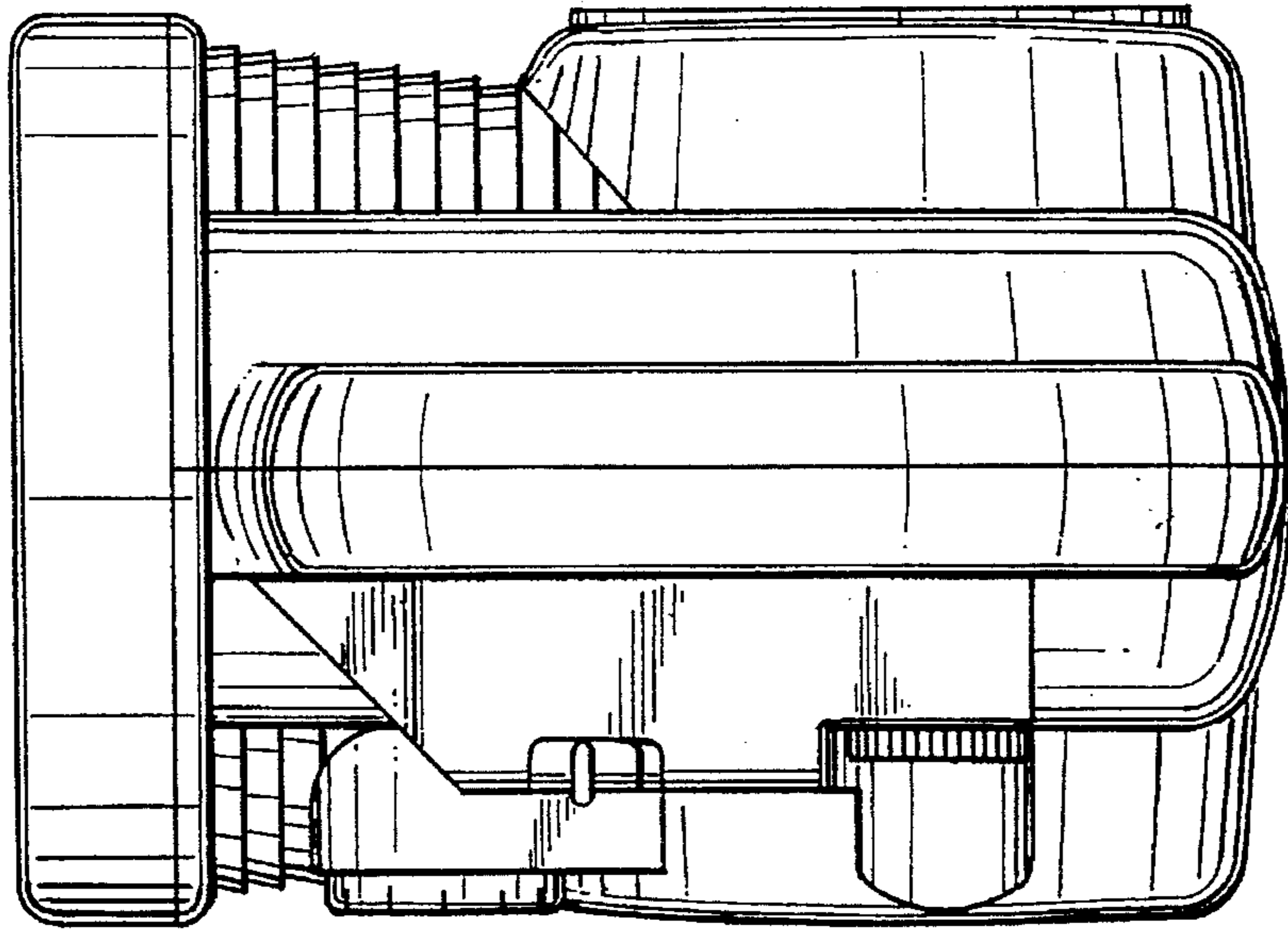
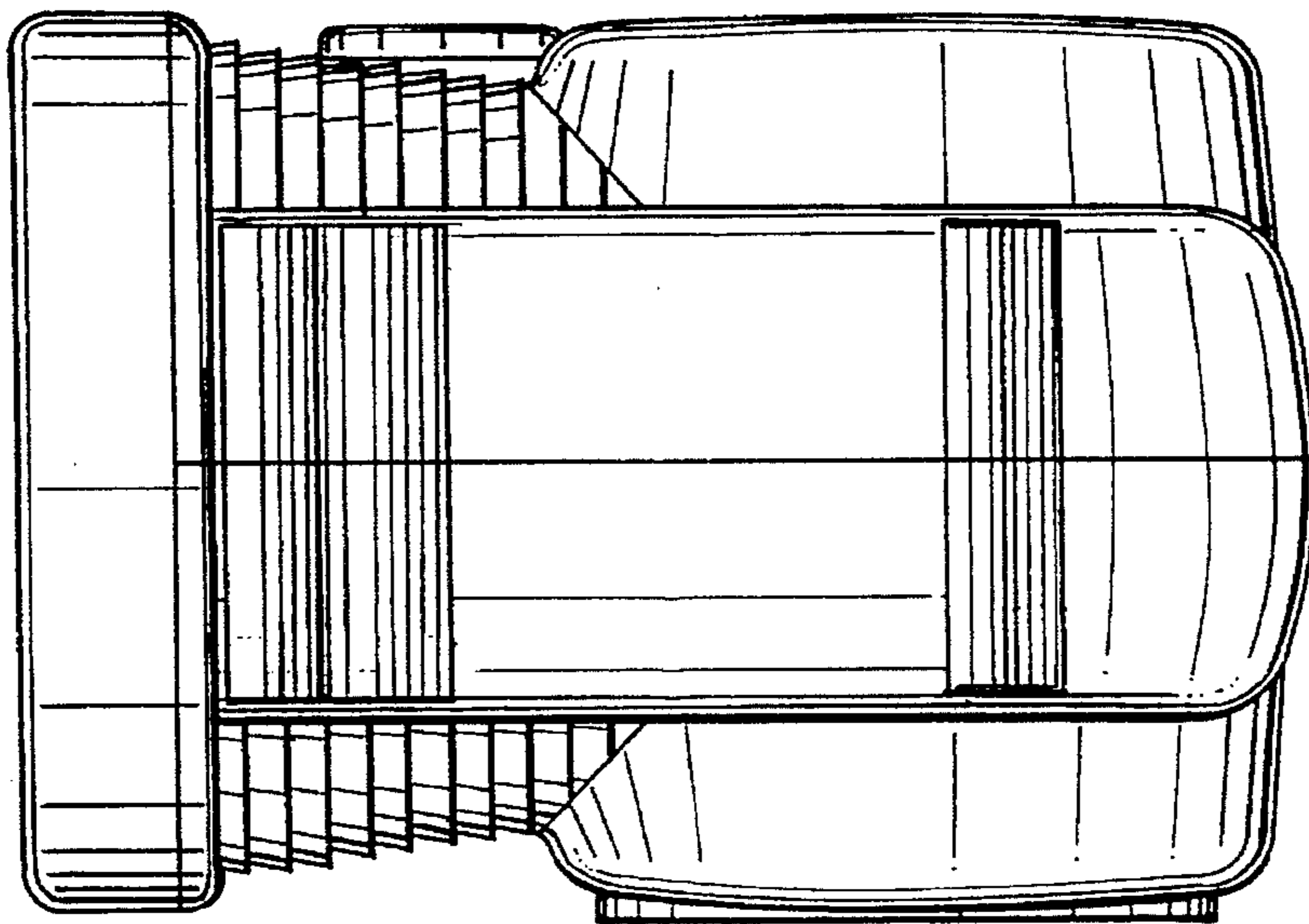


FIG. 4



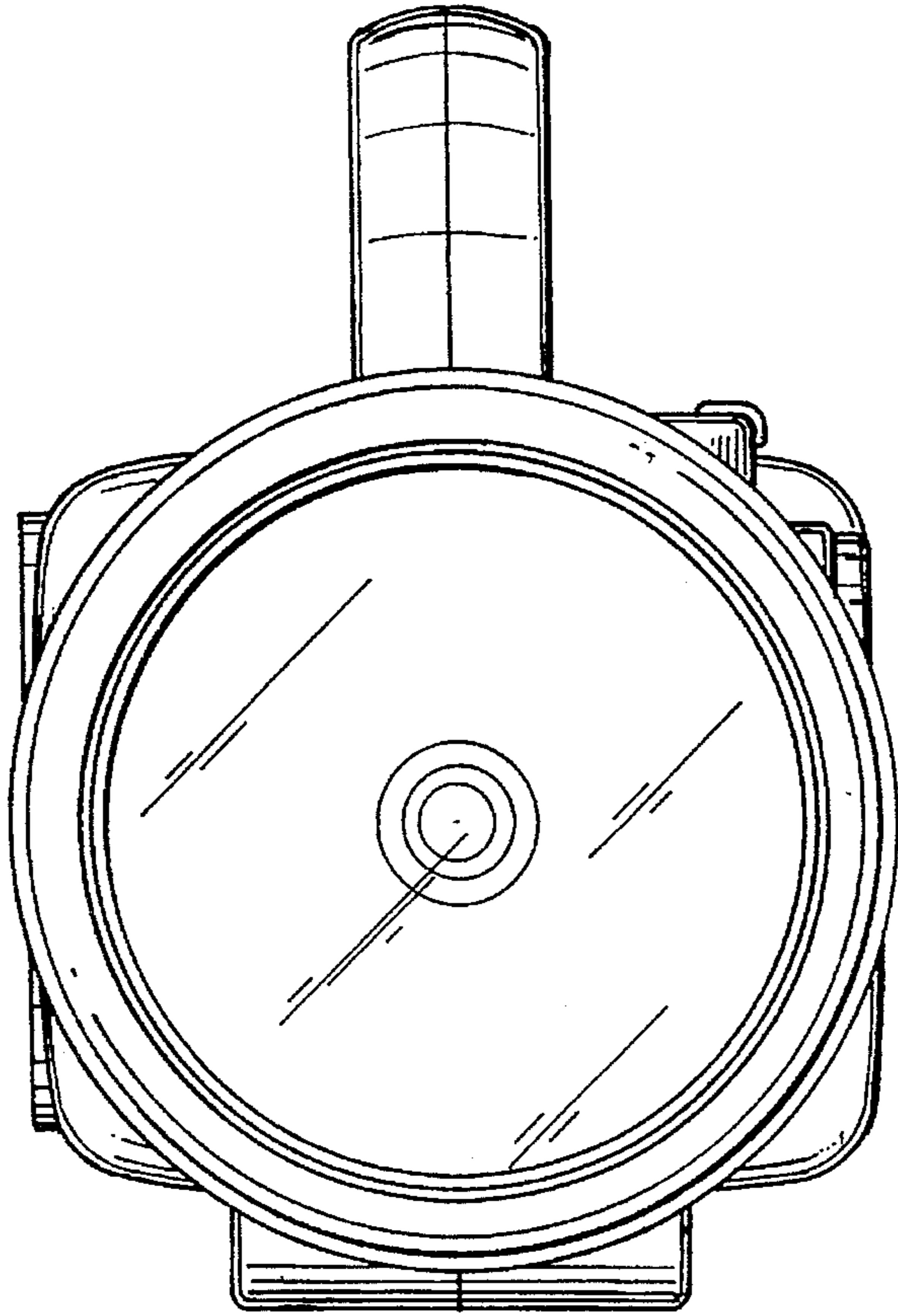


FIG. 5

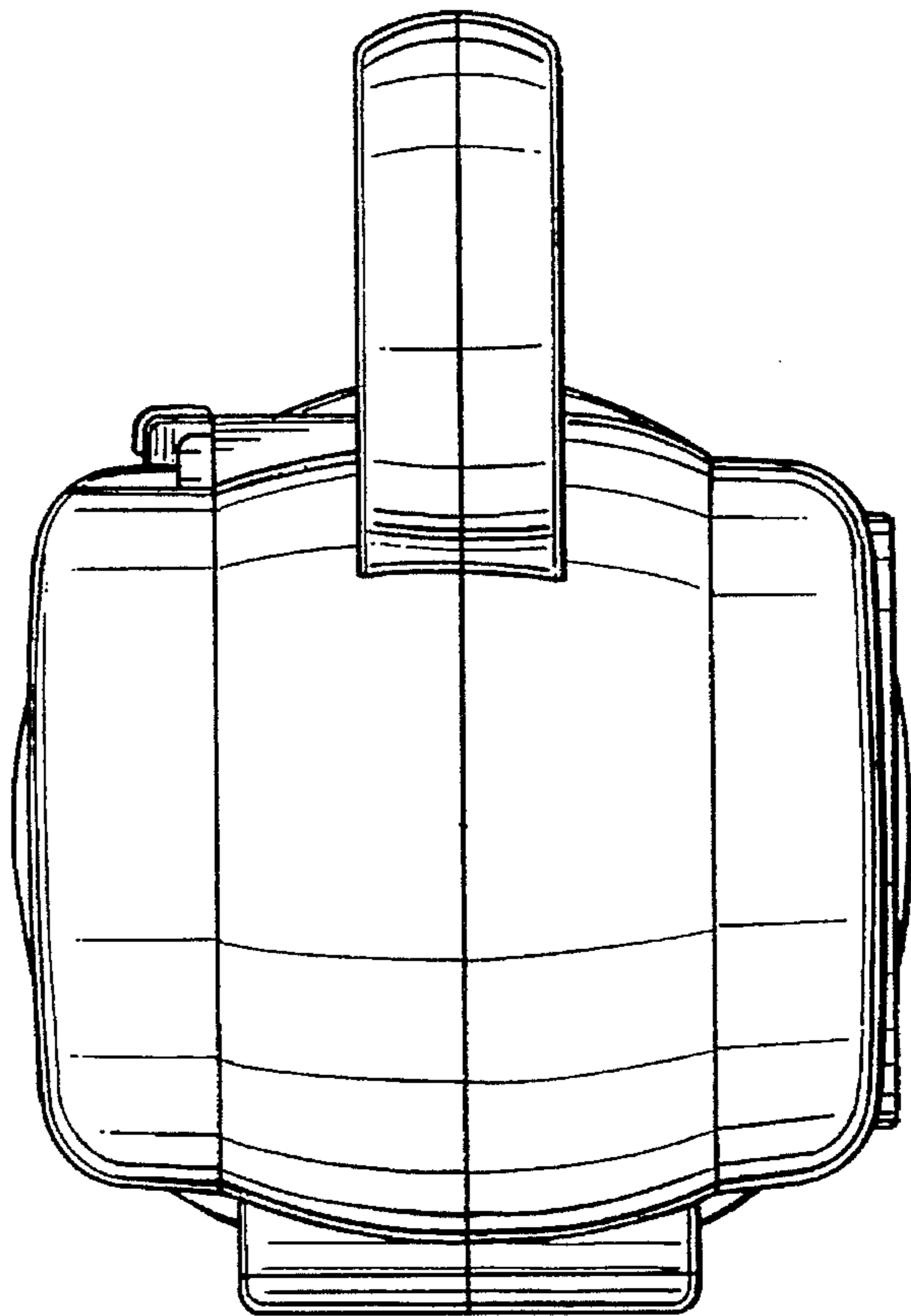


FIG. 6

FIG. 7

