



US00D378085S

United States Patent [19]

Kerklaan et al.

[11] Patent Number: **Des. 378,085**

[45] Date of Patent: ****Feb. 18, 1997**

[54] **OPTICAL TRANSCEIVER CARD**

[75] Inventors: **Albert J. Kerklaan, Milton; Mike J. Preyde, Oshawa, both of Canada**

[73] Assignee: **International Business Machines Corporation, Armonk, N.Y.**

[**] Term: **14 Years**

[21] Appl. No.: **22,888**

[22] Filed: **May 12, 1994**

[30] **Foreign Application Priority Data**

Nov. 16, 1993 [CA] Canada 16119934

[52] **U.S. Cl.** **D14/114**

[58] **Field of Search** D14/114, 107, D14/117; 359/152-3, 154, 170; 361/685-6, 730, 736, 752, 728; D13/147, 164; 235/492, 487, 380-1, 441; 365/52

[56] **References Cited**

U.S. PATENT DOCUMENTS

D. 305,886 2/1990 Banjo et al. D14/117

D. 327,071	6/1992	Derbyshire	D13/147 X
D. 333,122	2/1993	Kamakura et al.	D13/147 X
D. 340,059	10/1993	Wetzel et al.	D13/147 X
D. 345,980	4/1994	Scheid et al.	D14/117 X
D. 354,732	1/1995	Oliver et al.	D13/147
D. 355,412	2/1995	Rak et al.	D14/107
5,412,496	5/1995	Nakajima et al.	359/152

Primary Examiner—M. H. Tung
Attorney, Agent, or Firm—Andrew J. Dillon; Craig J. Yudell

[57] **CLAIM**

The ornamental design for an optical transceiver card, as shown and described.

DESCRIPTION

FIG. 1 is an isometric view of the design of the present invention;

FIG. 2 is a top view thereof;

FIG. 3 is a side view thereof; and

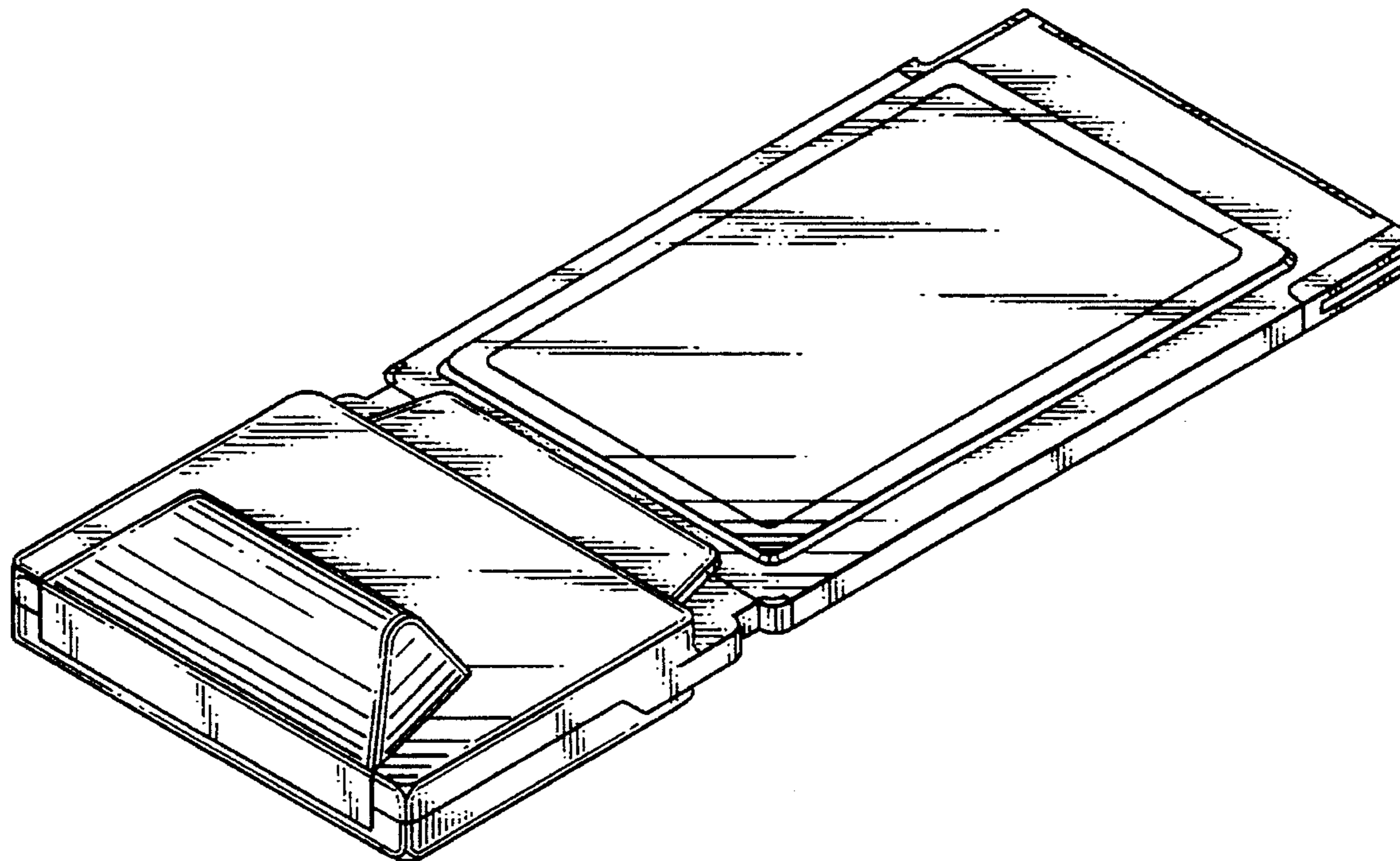
FIG. 4 is an end view thereof;

FIG. 5 is a bottom view thereof;

FIG. 6 is an opposite side view thereof; and,

FIG. 7 is an opposite end view thereof.

1 Claim, 2 Drawing Sheets



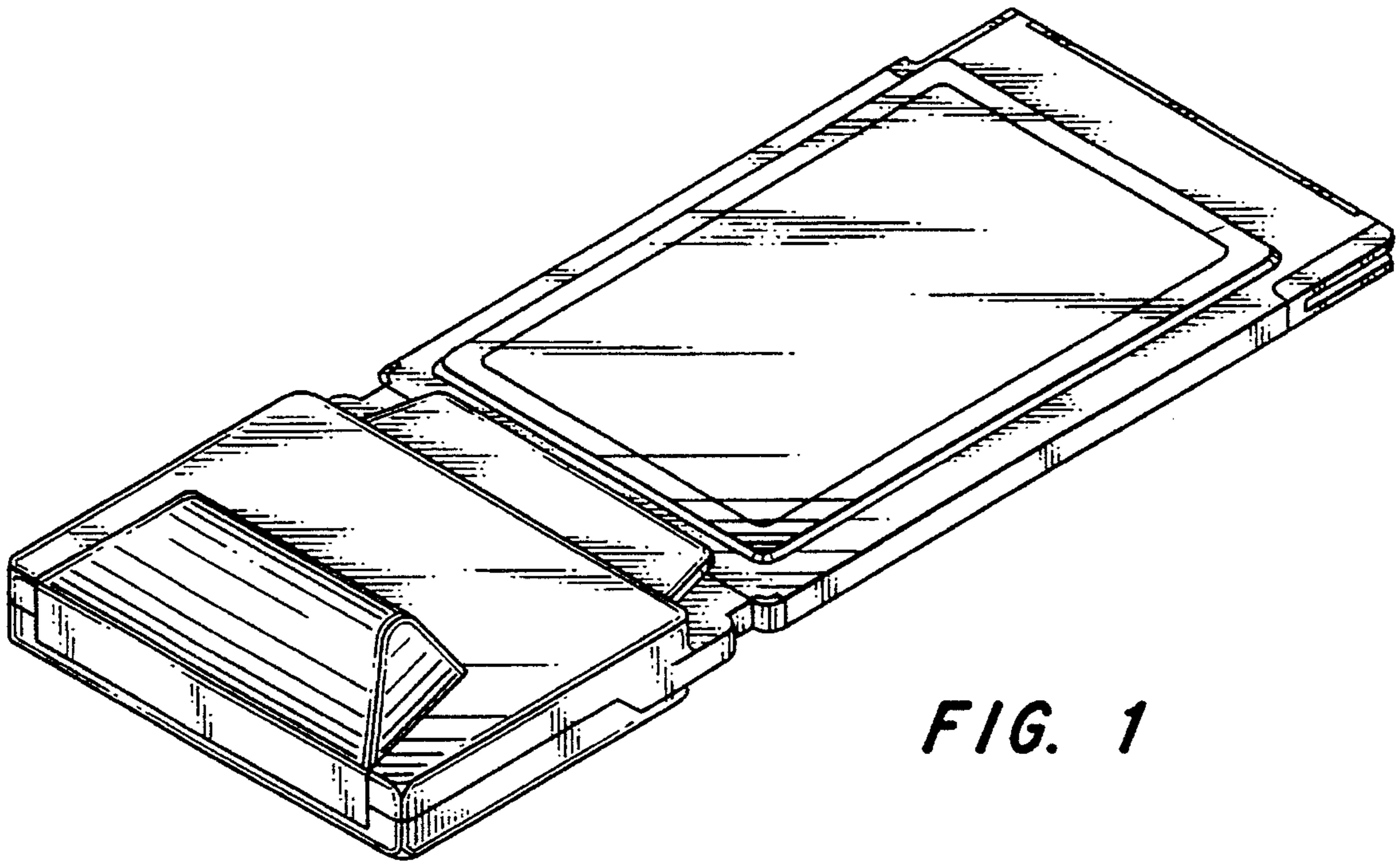


FIG. 1

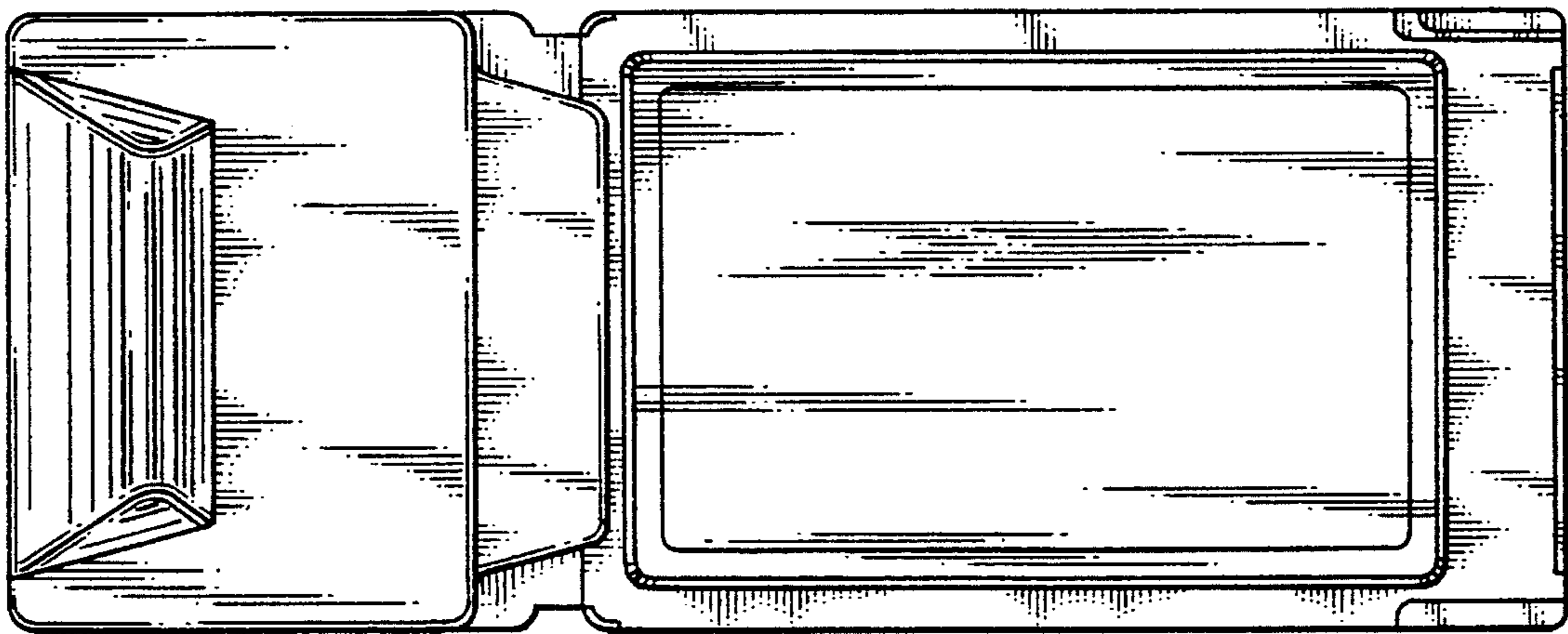


FIG. 2



FIG. 3

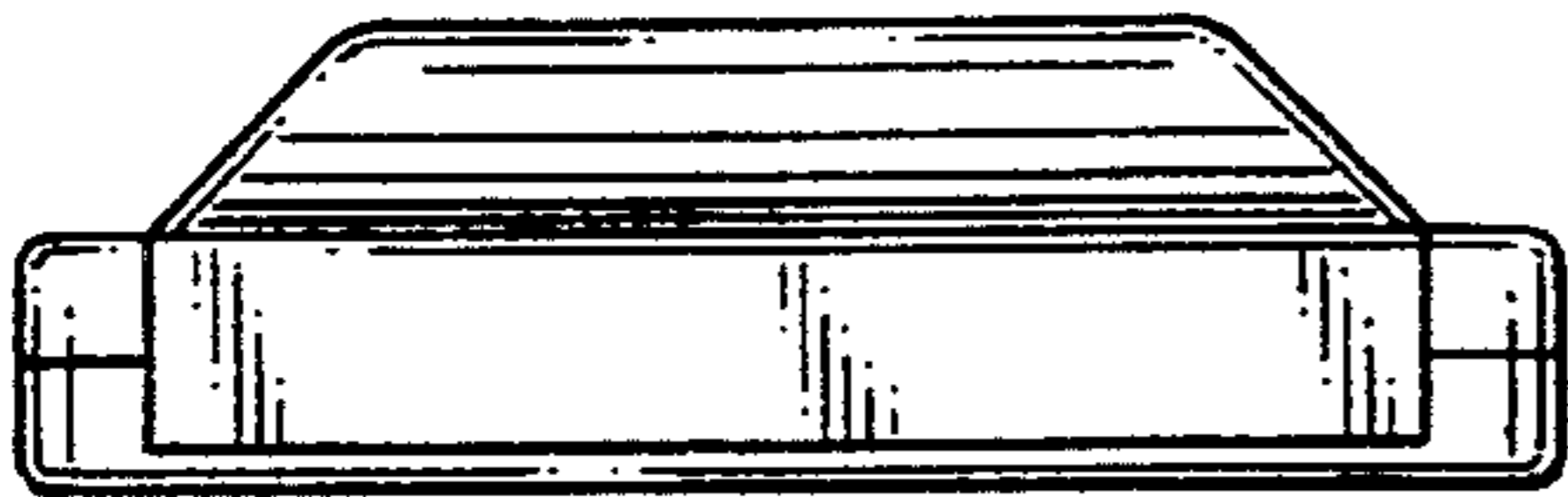


FIG. 4

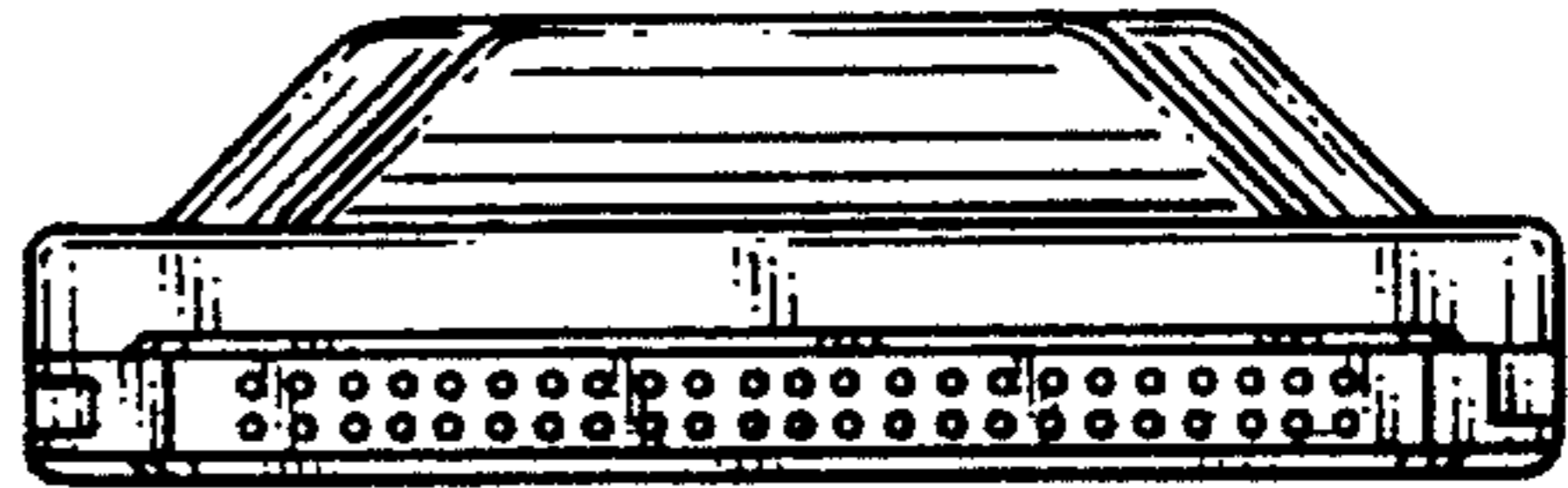


FIG. 7

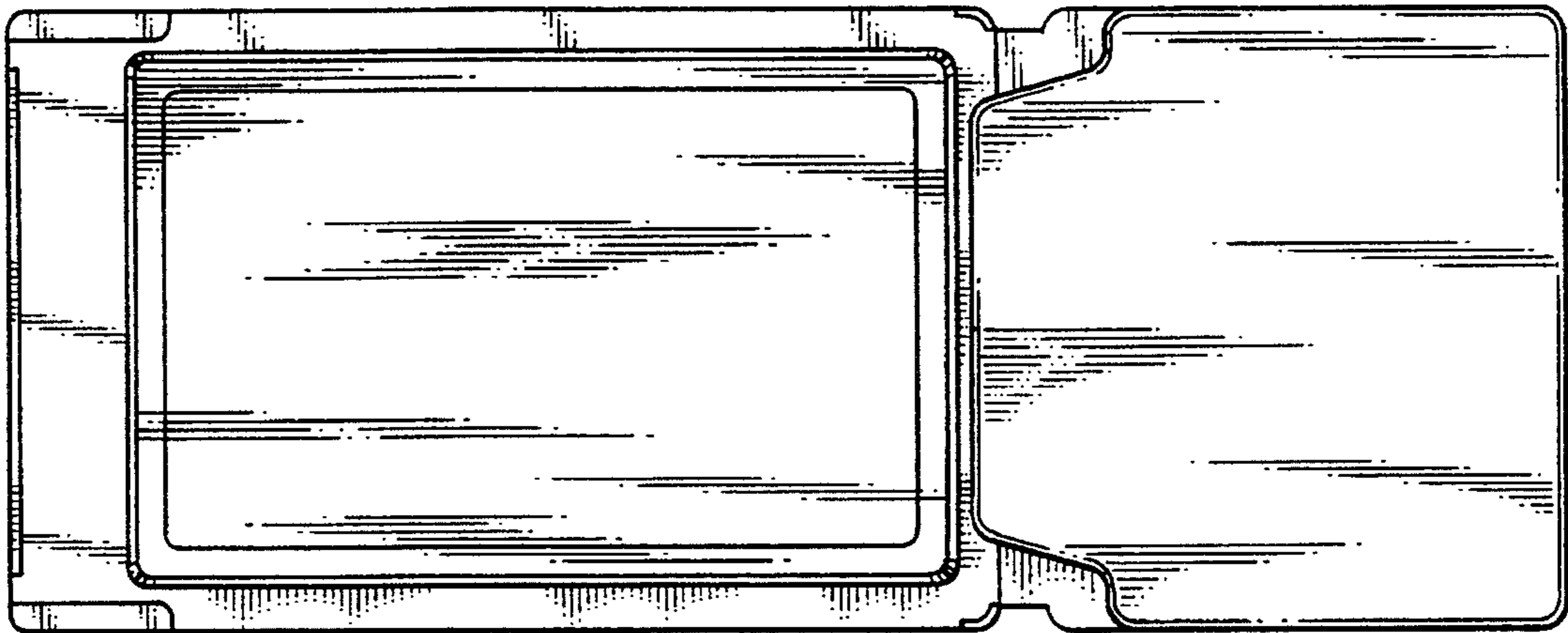


FIG. 5



FIG. 6