



US00D378083S

United States Patent [19]

[11] Patent Number: **Des. 378,083**

Ando

[45] Date of Patent: ****Feb. 18, 1997**

[54] **ELECTRONIC COMPUTER**

| | | | | |
|------------|---------|-----------------|-------|---------|
| D. 354,949 | 1/1995 | Yao | | D14/100 |
| D. 356,548 | 3/1995 | Bottcher et al. | | D14/100 |
| D. 358,372 | 5/1995 | Goodrich et al. | | D14/100 |
| D. 363,468 | 10/1995 | Mieki et al. | | D14/100 |

[75] Inventor: **Takaharu Ando**, Ryugasaki, Japan

[73] Assignee: **Kabushiki Kaisha Toshiba**, Kawasaki, Japan

FOREIGN PATENT DOCUMENTS

[**] Term: **14 Years**

| | | | |
|-----------|--------|--------|---|
| 894545 | 3/1994 | Japan | . |
| M358/1989 | 4/1985 | Sweden | . |

[21] Appl. No.: **48,885**

Primary Examiner—Freda Nunn
Attorney, Agent, or Firm—Banner & Wiftcoff, Ltd.

[22] Filed: **Jan. 16, 1996**

[57] CLAIM

Related U.S. Application Data

The ornamental design for an electronic computer, as shown and described.

[63] Continuation of Ser. No. 40,512, Jun. 20, 1995, abandoned.

DESCRIPTION

[30] Foreign Application Priority Data

FIG. 1 is a top, front and left side perspective view of an electronic computer showing my new design;
 FIG. 2 is a front elevational view thereof;
 FIG. 3 is a top plan view thereof;
 FIG. 4 is a left side elevational view thereof;
 FIG. 5 is a right side elevational view thereof;
 FIG. 6 is a rear elevational view thereof;
 FIG. 7 is a bottom plan view thereof;
 FIG. 8 is a top, front and left side perspective view thereof, with the display having been moved; and,
 FIG. 9 is a top, front and left side perspective view thereof with a keyboard and cord being connected and shown in broken lines for illustrative purposes only and forming no part of the claimed design.

Dec. 22, 1994 [JP] Japan 6-38899

[52] U.S. Cl. **D14/100**

[58] Field of Search D14/100, 101, D14/106, 113, 115, 124-129; 345/104, 156, 168, 173, 901-905, 87, 133; 361/679-686; 364/708.1, 709.04, 709.12; 358/249, 254, 255

References Cited

U.S. PATENT DOCUMENTS

| | | | | |
|------------|---------|----------------|-------|-----------|
| D. 274,059 | 5/1984 | Hall et al. | | D14/113 X |
| D. 306,433 | 3/1990 | Mitchell | | D14/106 |
| D. 311,907 | 11/1990 | Yoshihara | | D14/106 |
| D. 317,302 | 6/1991 | Shibuya et al. | | D14/106 |
| D. 330,197 | 10/1992 | Kajita | | D14/106 |

1 Claim, 5 Drawing Sheets

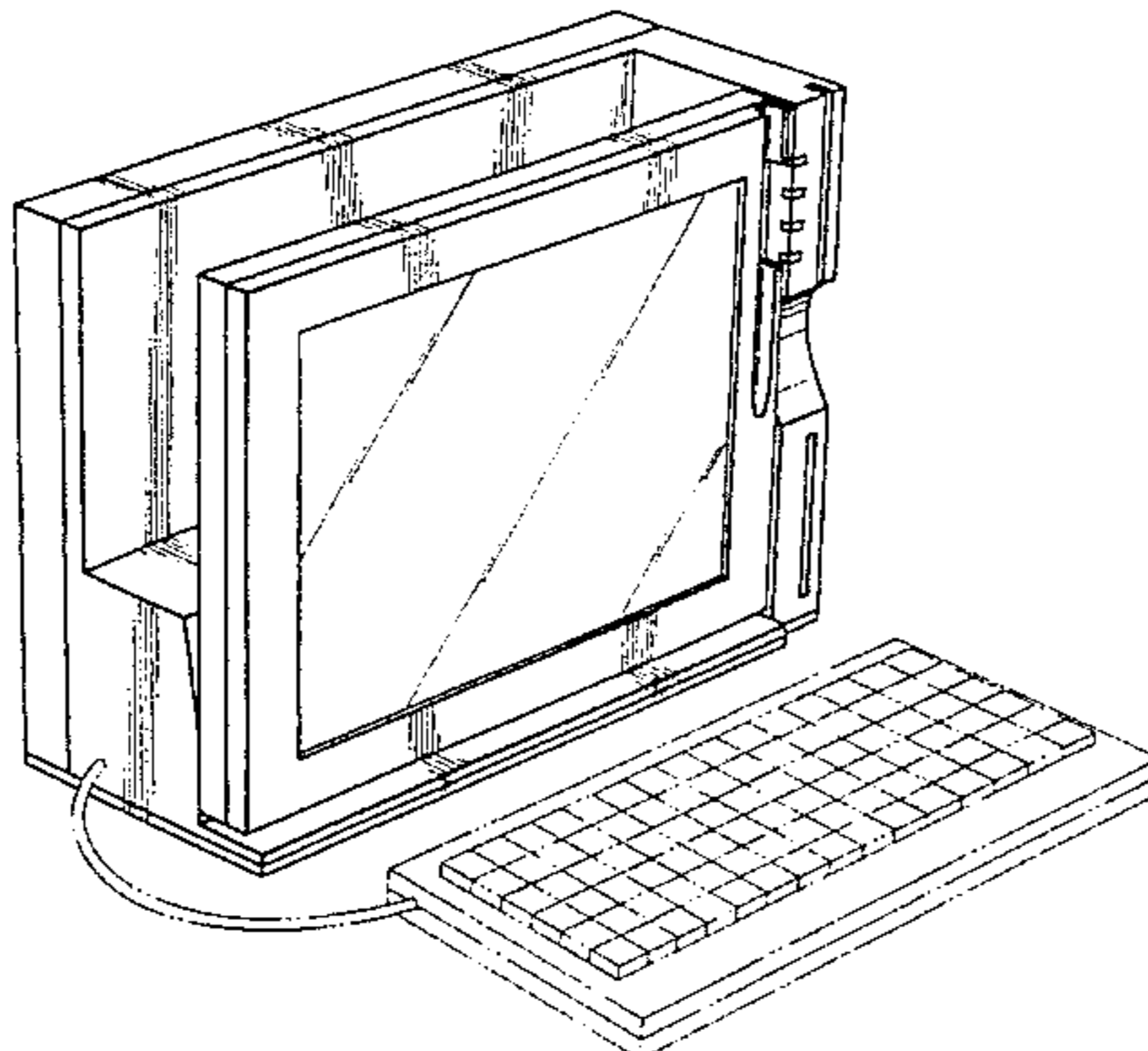
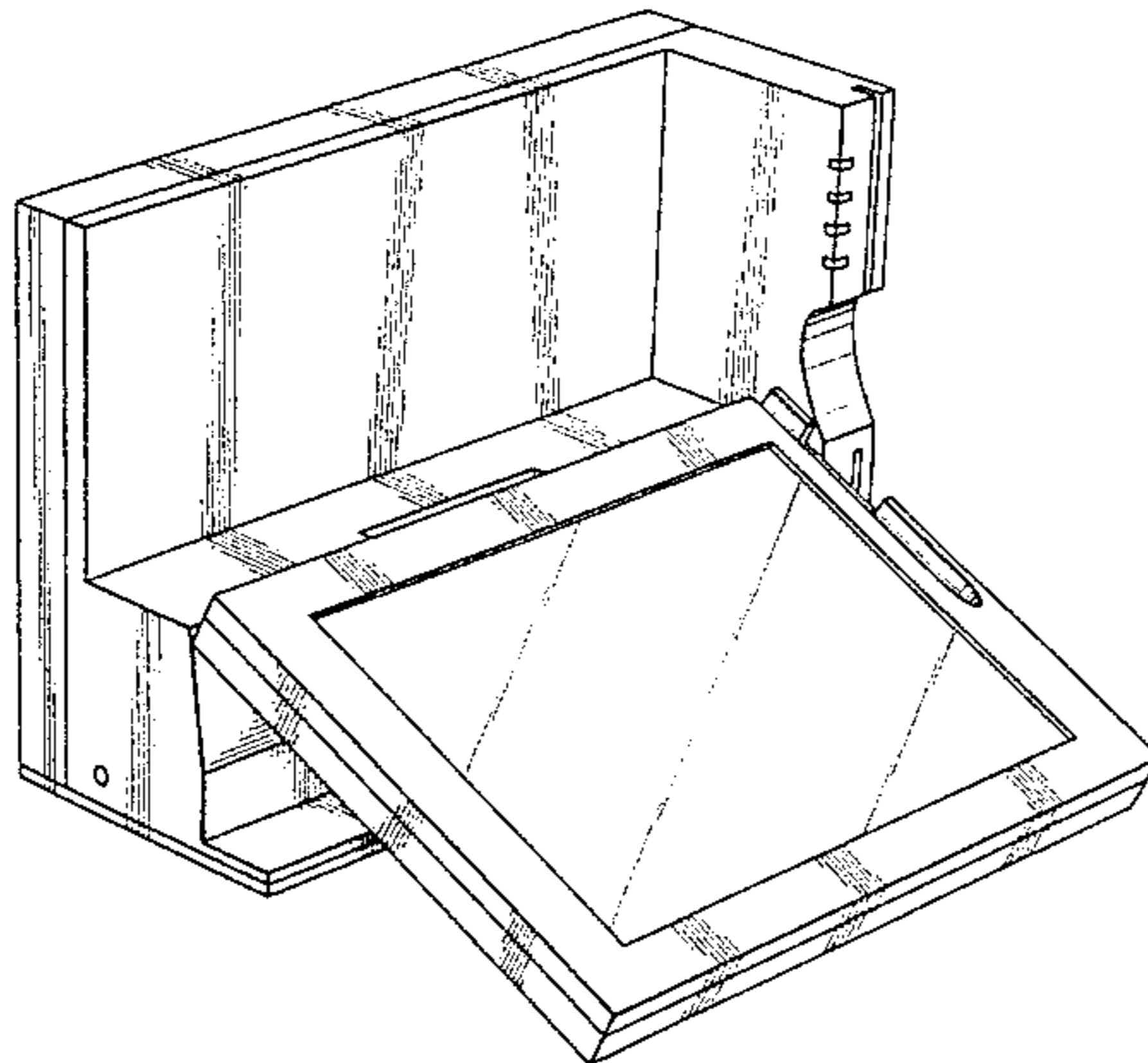


FIG. 1

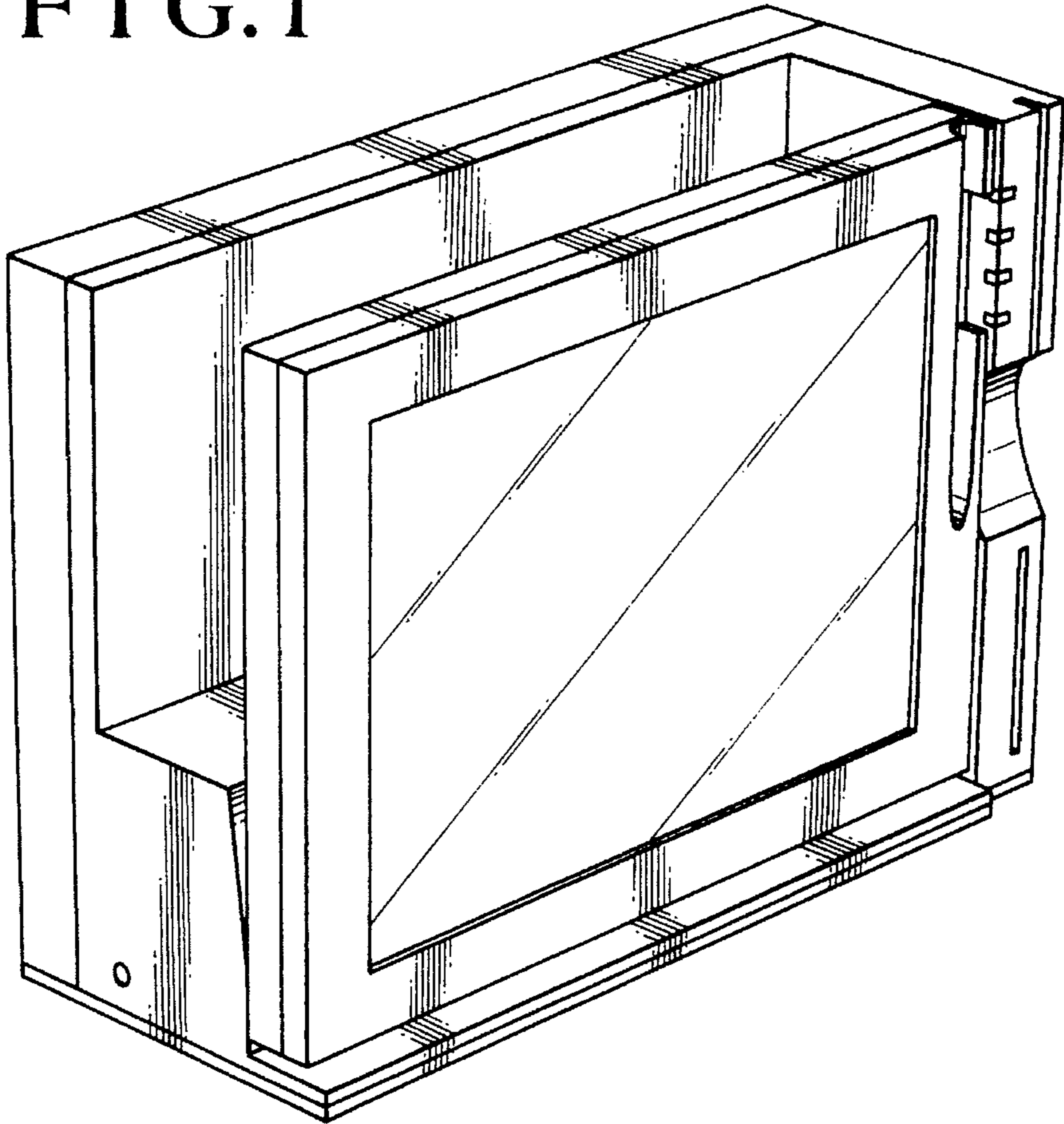


FIG. 2

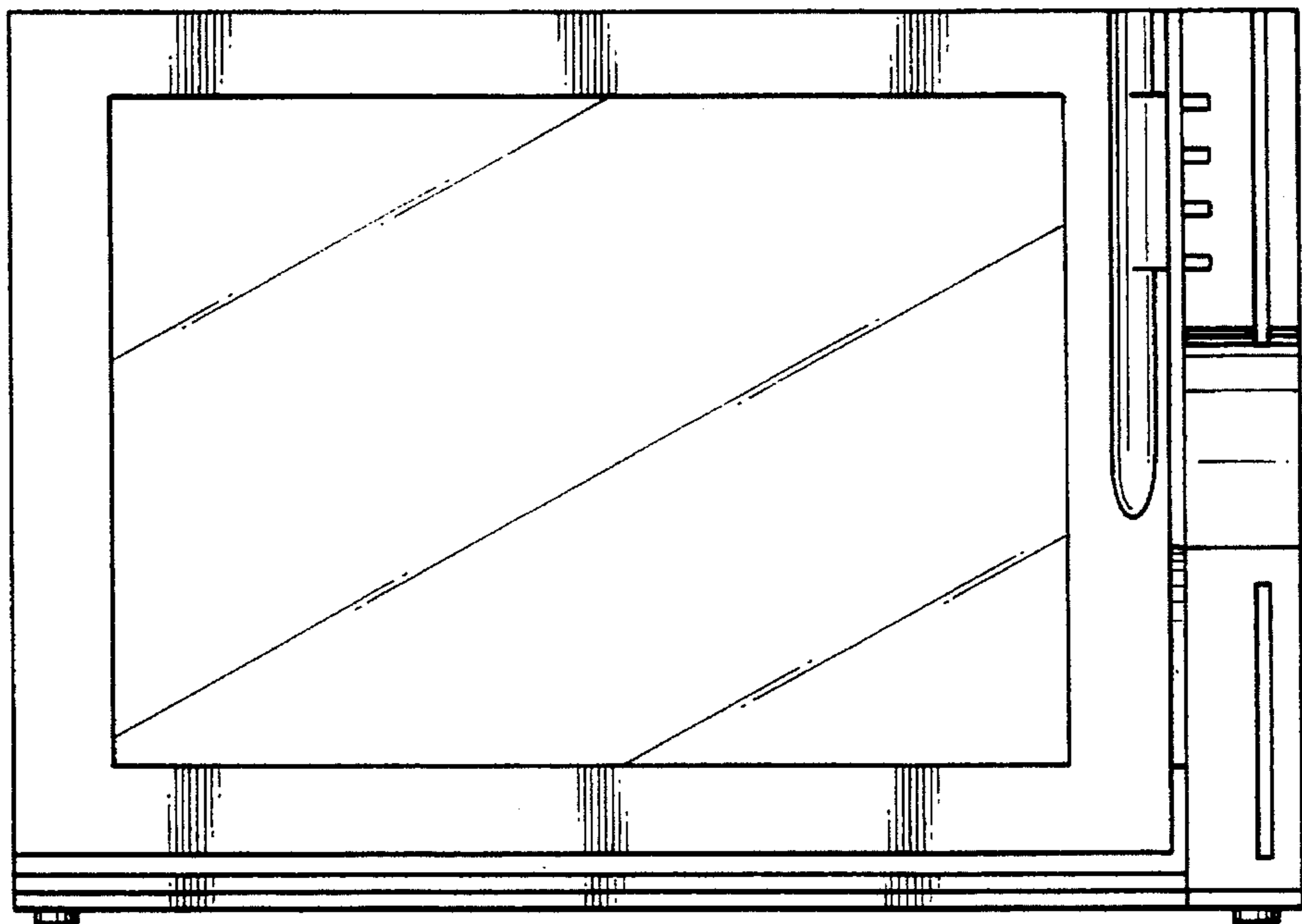


FIG. 3

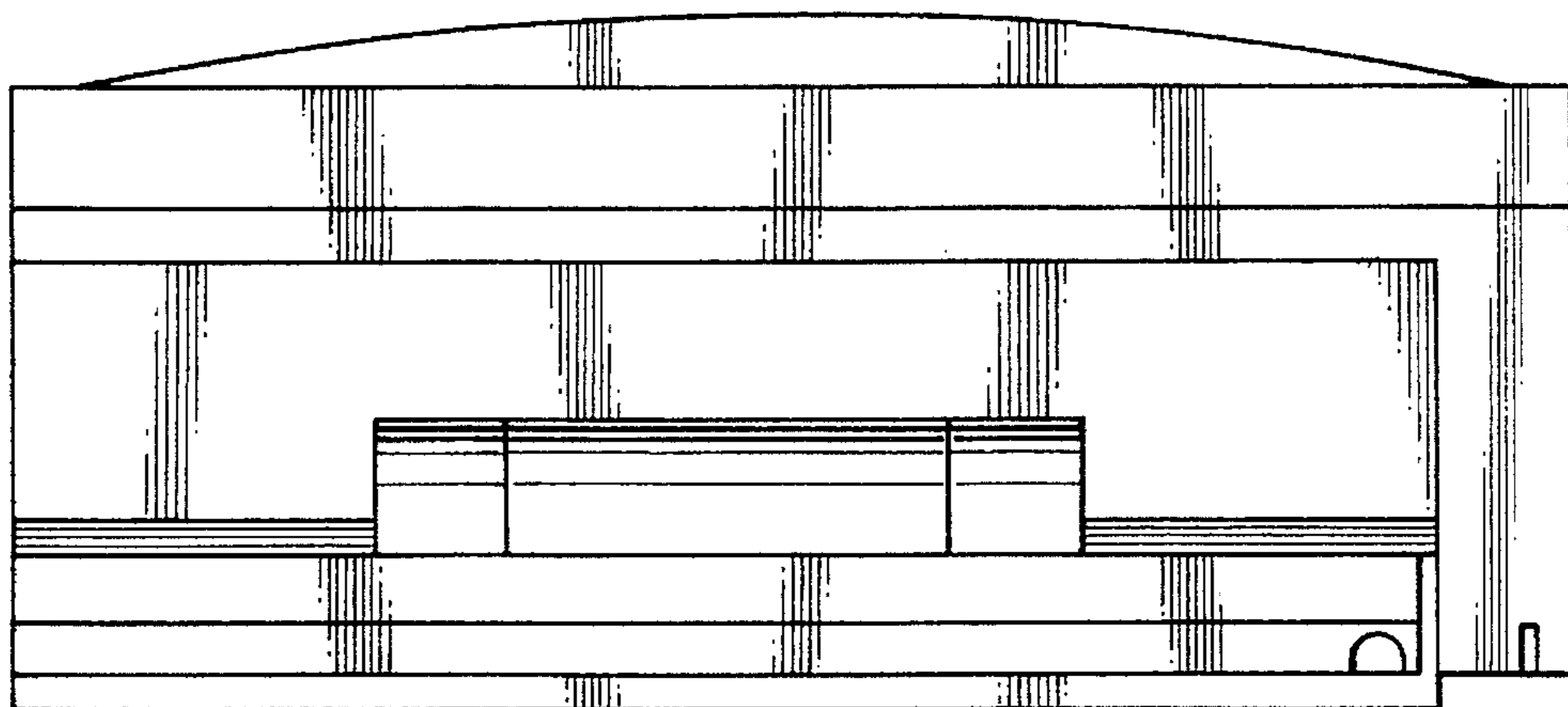


FIG. 4

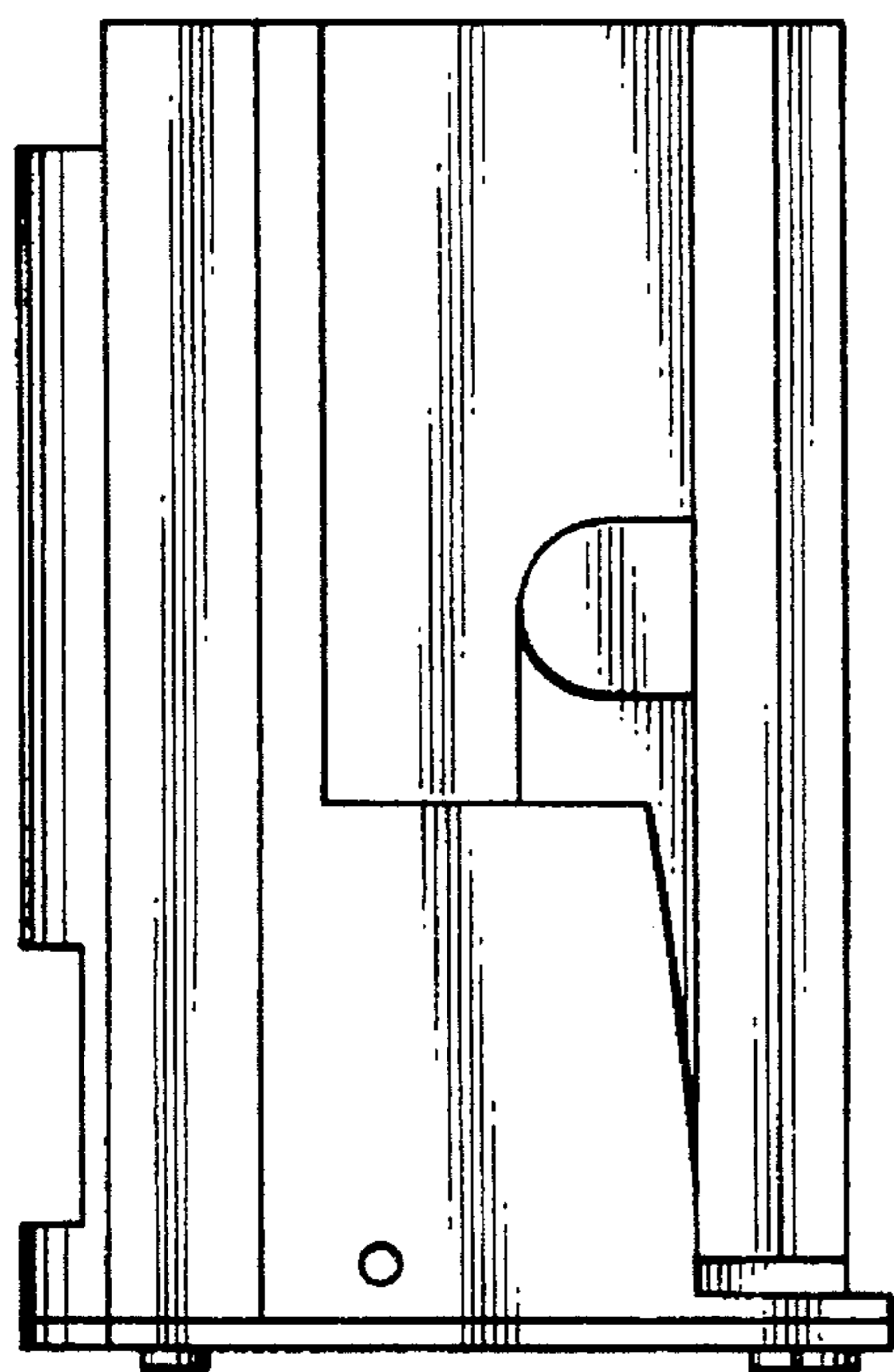


FIG. 5

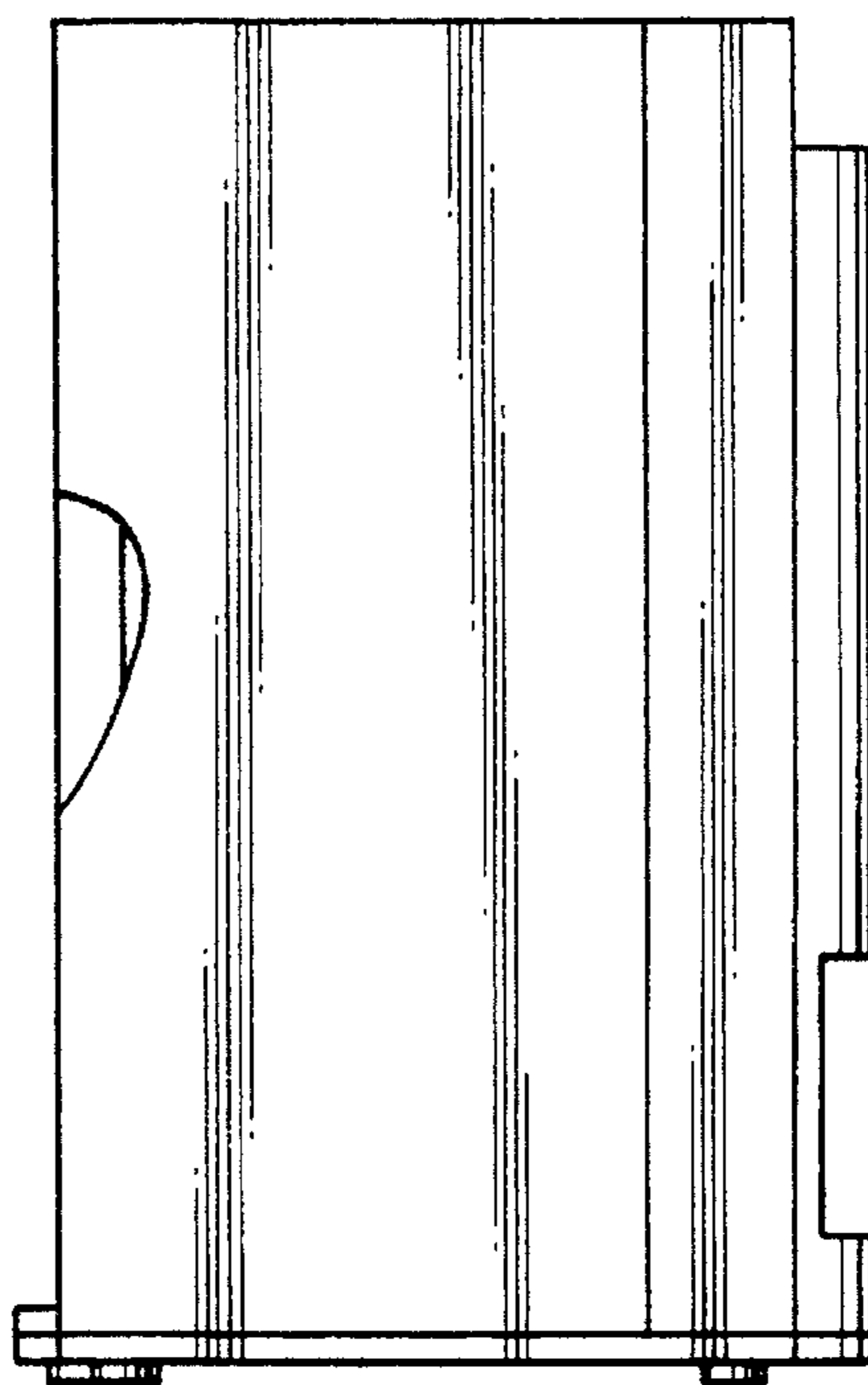


FIG. 6

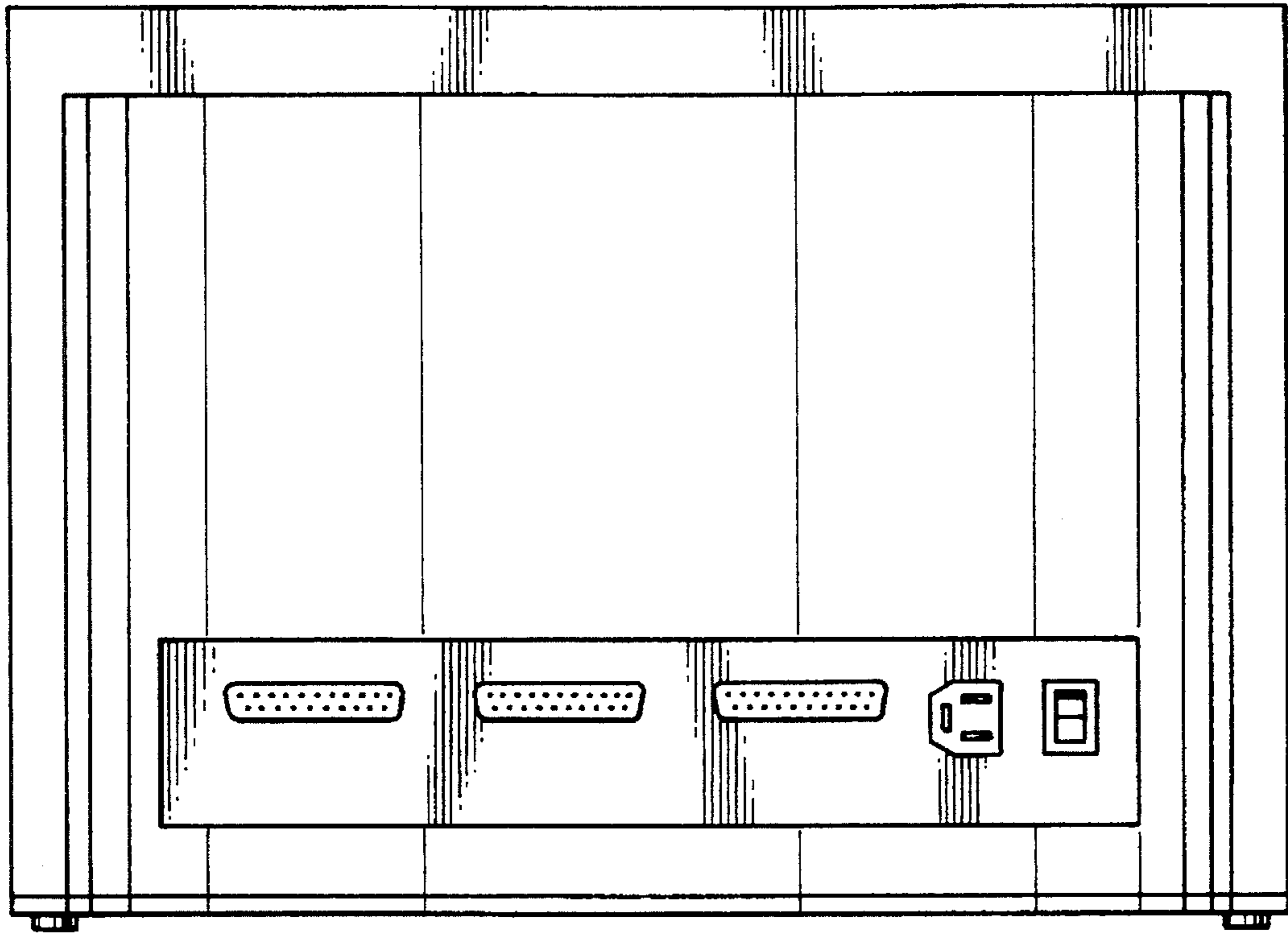


FIG. 7

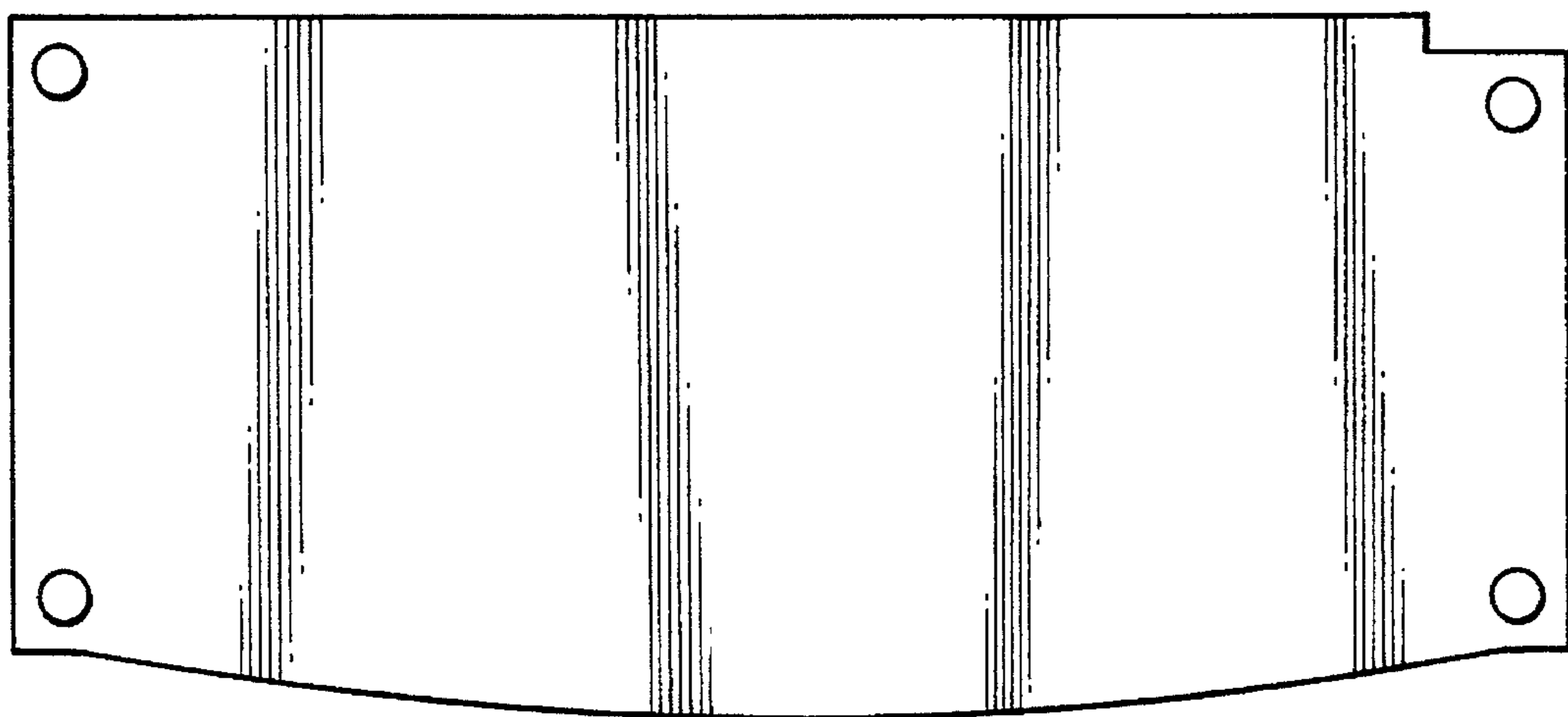


FIG. 8

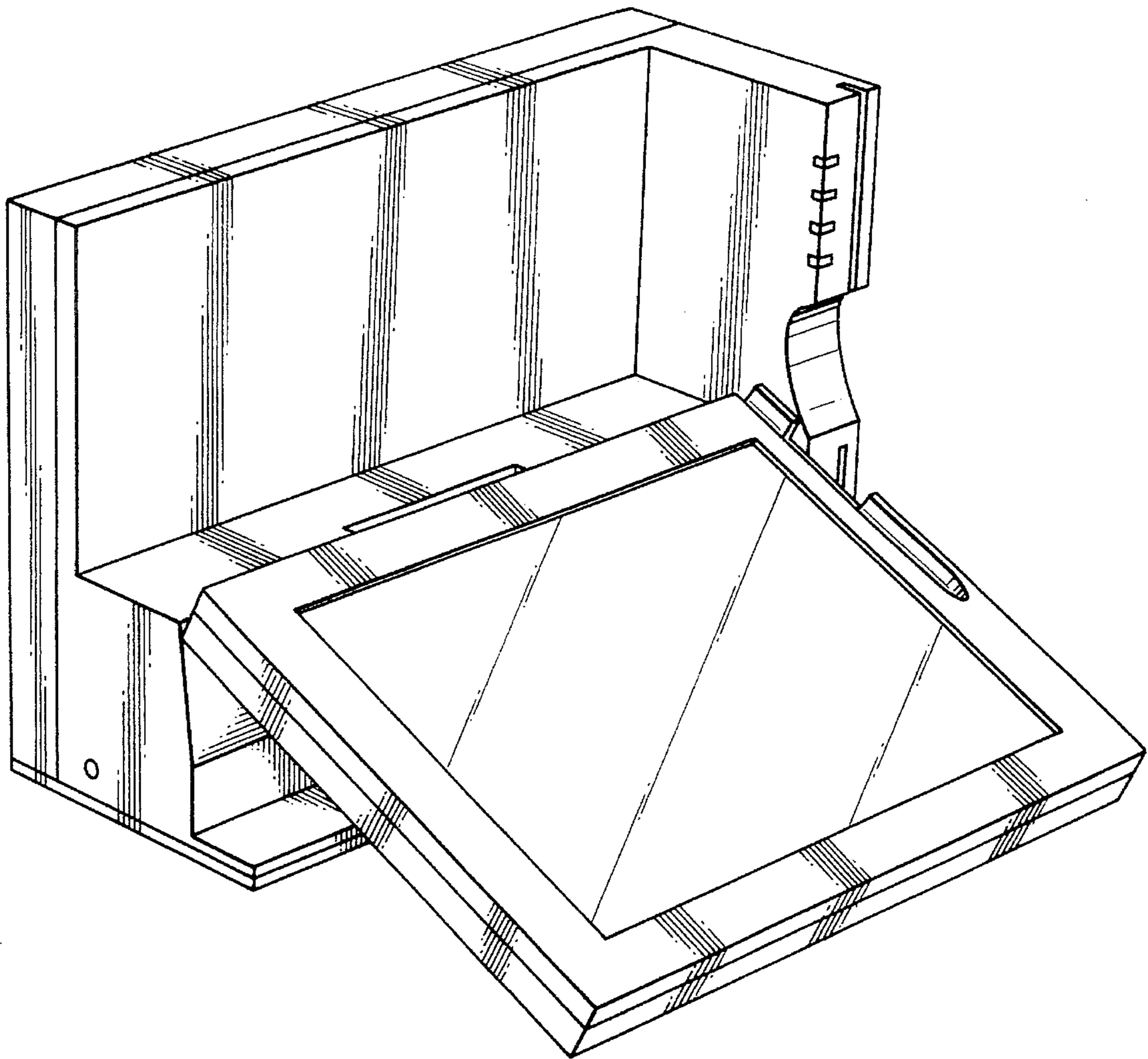


FIG. 9

