



US00D378070S

# United States Patent [19]

[11] Patent Number: **Des. 378,070**

**Hurd**

[45] Date of Patent: **\*\*Feb. 18, 1997**

[54] **CHILD PROOF SEATBELT LOCK**

[76] Inventor: **Charles D. Hurd**, 3820 Quadrant Dr., North Bend, Ohio 45052

[\*\*] Term: **14 Years**

[21] Appl. No.: **48,944**

[22] Filed: **Jan. 16, 1996**

[52] U.S. Cl. .... **D11/215**

[58] Field of Search ..... D11/200, 215, D11/216; 24/633, 616, 625, 196

[56] **References Cited**

**U.S. PATENT DOCUMENTS**

D. 354,456	1/1995	St. Clair	.....	D11/215
D. 359,464	6/1995	Grasso et al.	.....	D11/216
D. 362,741	10/1995	Hollinger	.....	D11/200
5,170,539	12/1992	Lundstedt et al.	.....	24/196
5,222,279	6/1993	Freno et al.	.....	24/625

*Primary Examiner*—Ralf Seifert

*Attorney, Agent, or Firm*—Harold H. Dutton, Jr.; W. Charles L. Jamison; Diane F. Liebman

[57] **CLAIM**

The ornamental design for a child proof seatbelt lock, as shown.

**DESCRIPTION**

FIG. 1 is a perspective view of a child proof seatbelt lock in an opened position showing my new design;

FIG. 2 is a closed front view thereof;

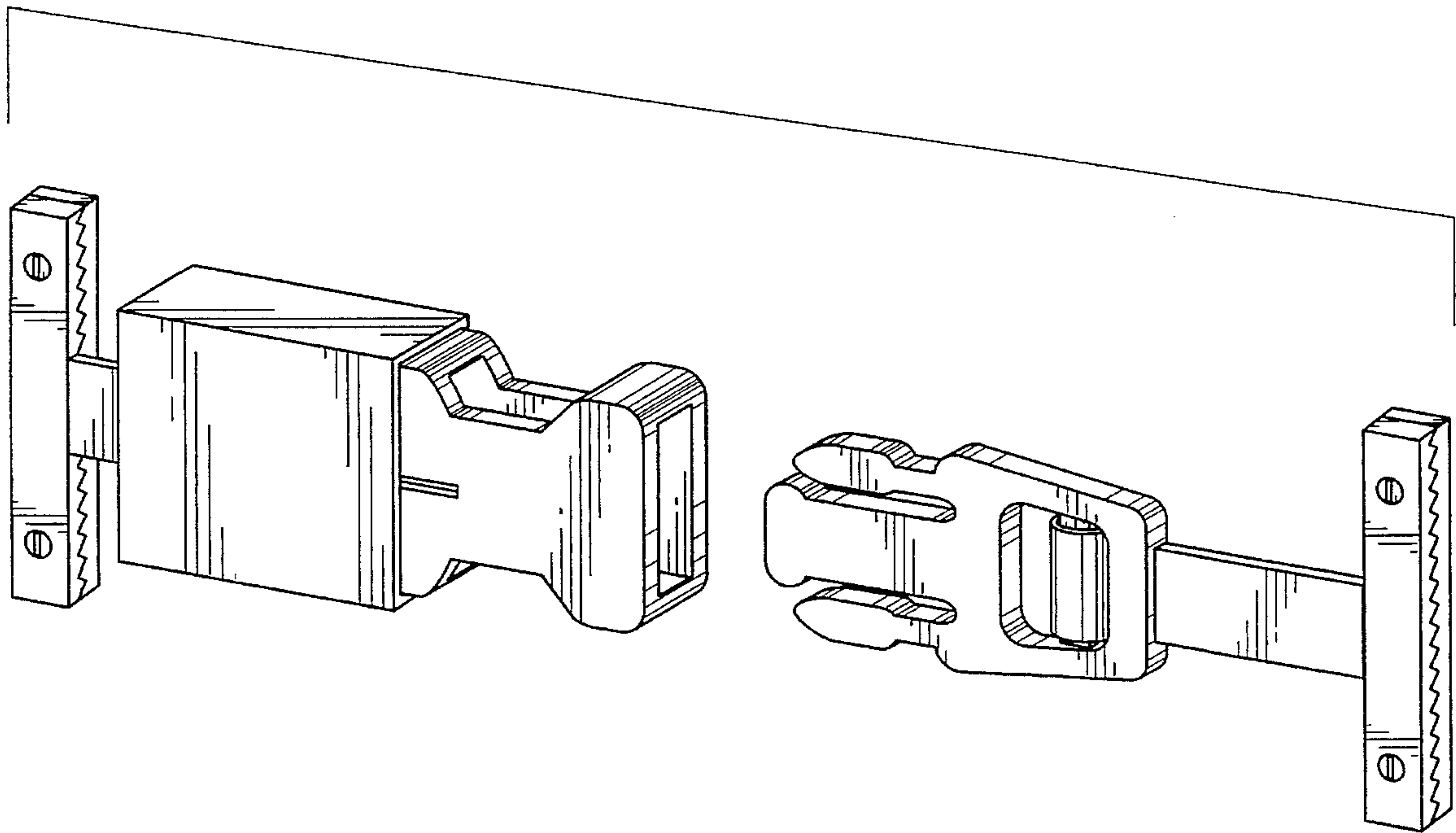
FIG. 3 is a rear view thereof;

FIG. 4 is a top view thereof;

FIG. 5 is a left side view thereof; and,

FIG. 6 is a right side view thereof.

**1 Claim, 3 Drawing Sheets**



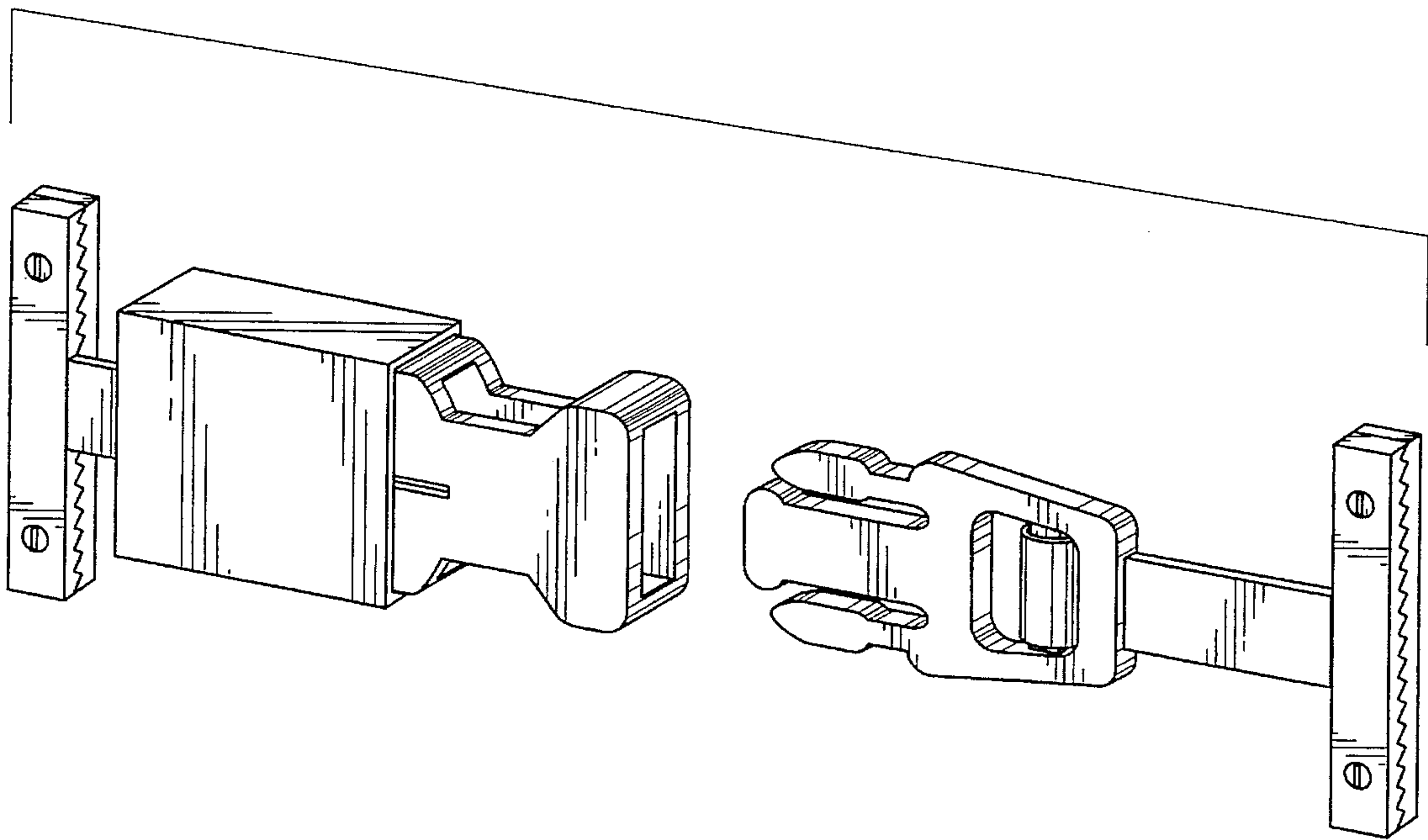


FIG. 1

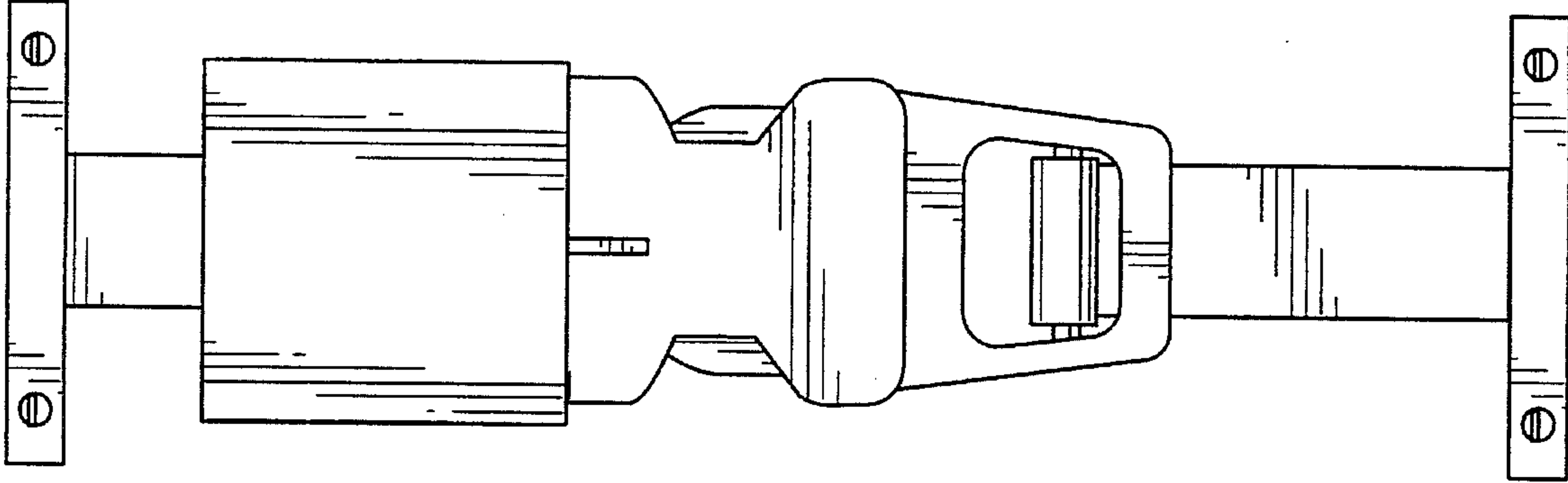


FIG. 2

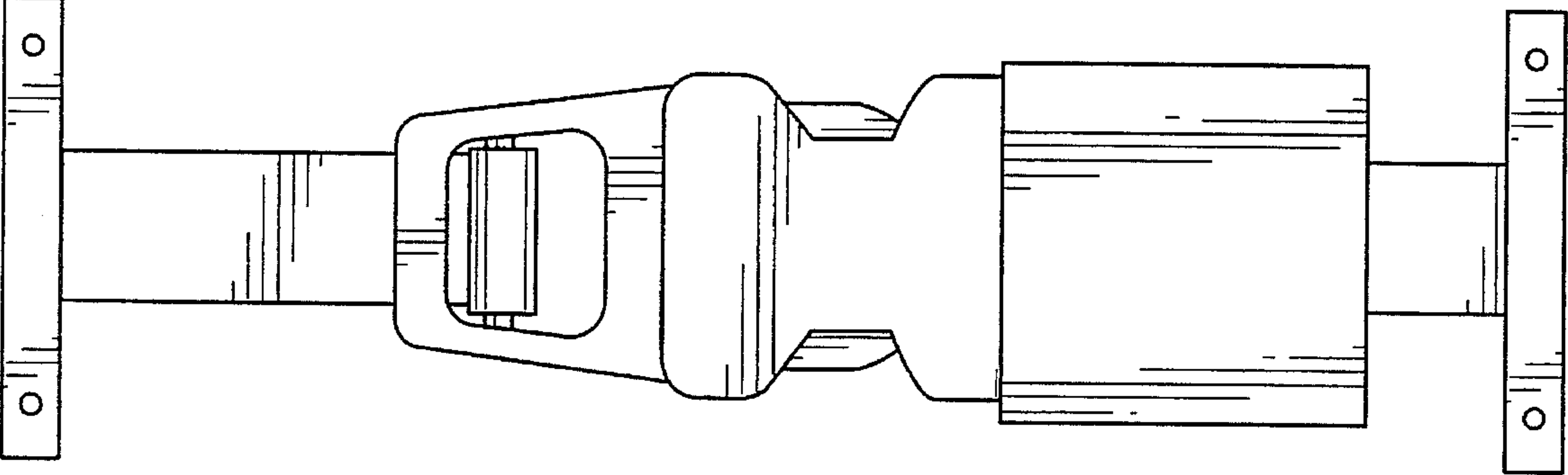


FIG. 3

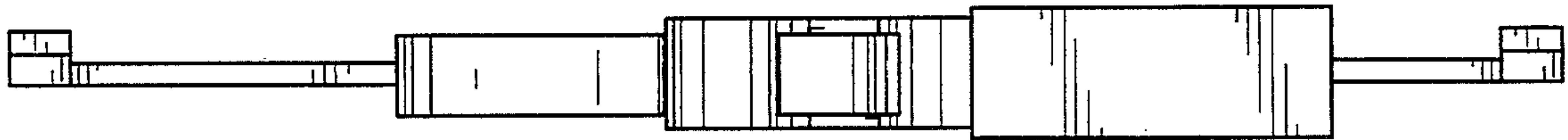


FIG. 4

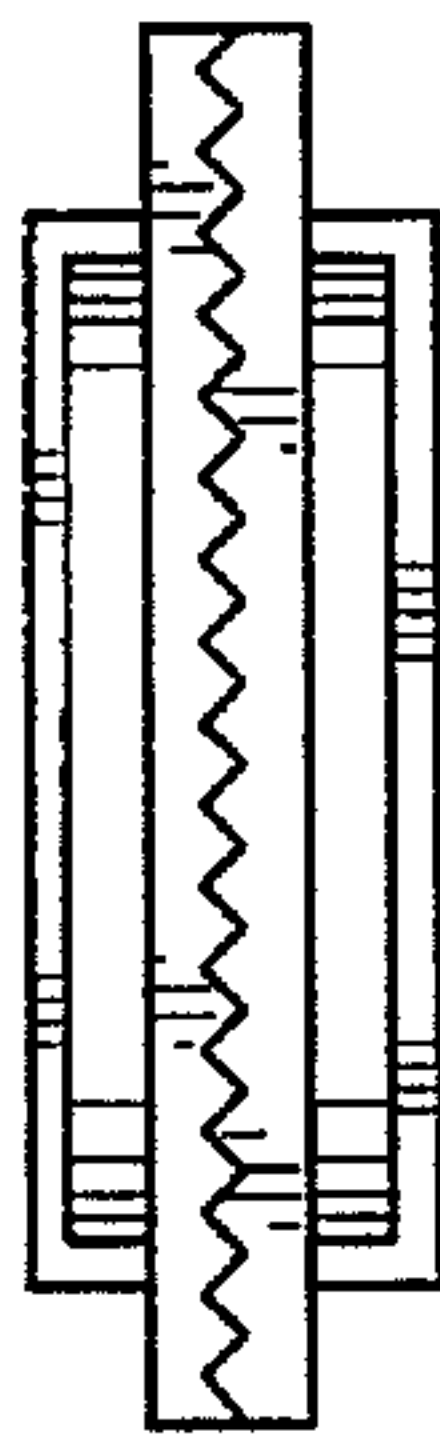


FIG. 5

FIG. 6

