



US00D378055S

United States Patent [19]

[11] Patent Number: **Des. 378,055**

Waldon et al.

[45] Date of Patent: ****Feb. 18, 1997**

[54] **LIQUID DISPENSING JAR**

[76] Inventors: **Bryan K. Waldon**, 126 Willow Creek Estates, Lewisville Denton County, Tex. 75067; **Cricket H. Lee**, 5520 W. Hanover Ave., Dallas, Dallas County, Tex. 75209; **Caroline R. Hunt**, 100 Crescent Ct., Suite 1700, Dallas, Dallas County, Tex. 75201; **Vivian Young**, 3525 Beverly Dr., Dallas, Dallas County, Tex. 75205

D. 242,405	11/1976	Genovese	D9/300	X
D. 268,325	3/1983	Lang	D9/448	X
D. 280,384	9/1985	Poore	D9/520	
D. 299,427	1/1989	Steiner et al.	D9/520	
D. 317,695	6/1991	Stern	D7/313	
D. 354,414	1/1995	Westgerdes	D7/312	X
3,083,877	4/1963	Gash	222/105	X
5,433,346	7/1995	Howe	222/481.5	X

Primary Examiner—Prabhakar G. Deshmukh
Assistant Examiner—Cheri Cohen
Attorney, Agent, or Firm—Sidley & Austin

[**] Term: **14 Years**

[57] **CLAIM**

[21] Appl. No.: **34,865**

The ornamental design for a liquid dispensing jar, as shown and described.

[22] Filed: **Feb. 14, 1995**

DESCRIPTION

[52] U.S. Cl. **D9/300**

[58] Field of Search D9/300, 447, 448; D6/542, 545; D7/300, 312, 313, 314; 222/481.5, 181.1, 146.6, 105; 220/1.5, 415

FIG. 1 is a perspective view of a liquid dispensing jar of my design;
FIG. 2 is a front elevational view thereof;
FIG. 3 is a right side elevational view thereof;
FIG. 4 is a rear elevational view thereof;
FIG. 5 is a top view thereof; and,
FIG. 6 is a bottom view thereof.

[56] **References Cited**

U.S. PATENT DOCUMENTS

D. 19,640	2/1890	Moore	D9/307	
D. 210,307	2/1968	Branscum	D7/313	
D. 225,511	12/1972	Brown	D7/313	

1 Claim, 3 Drawing Sheets

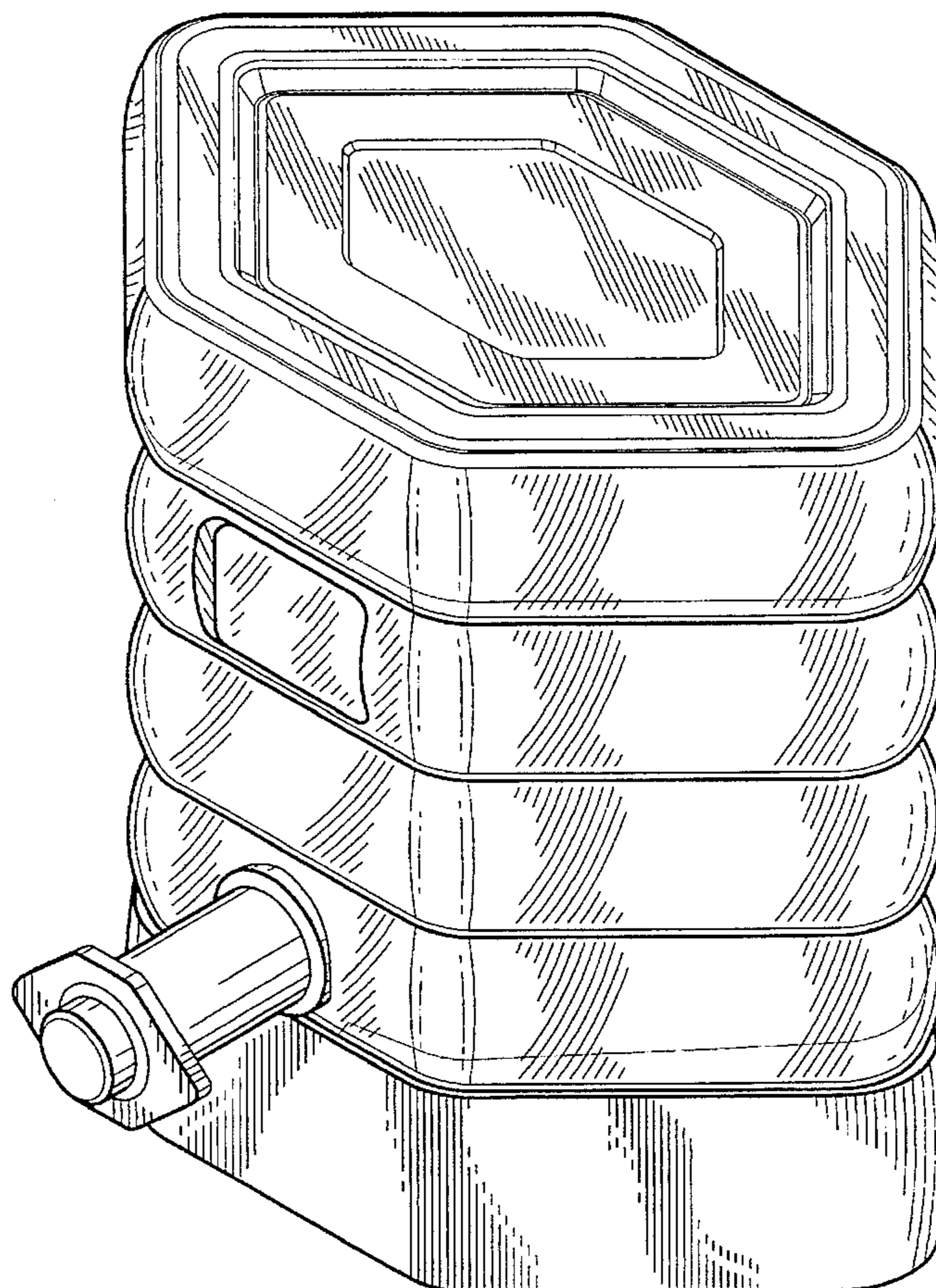


FIG. 1

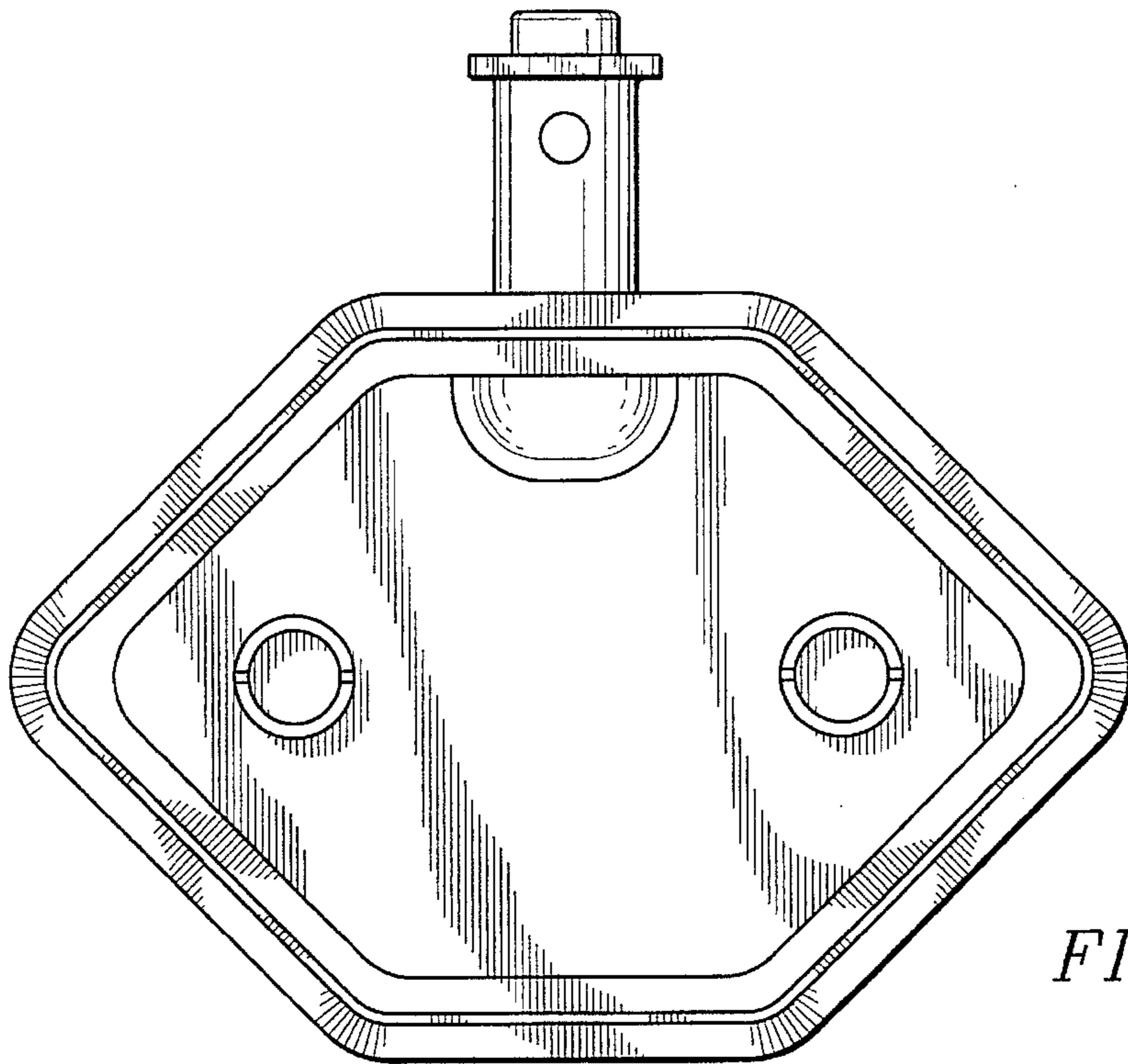
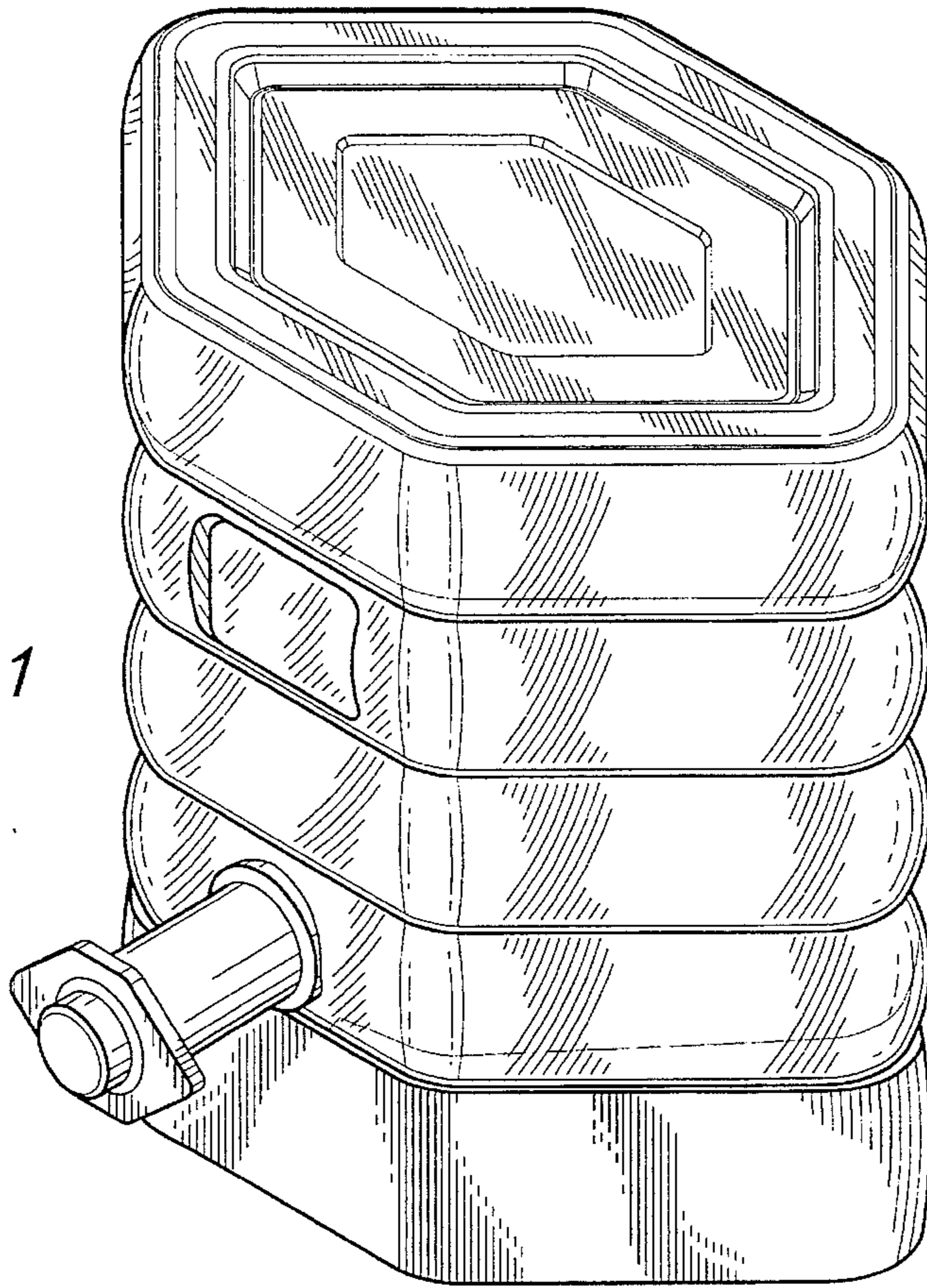


FIG. 6

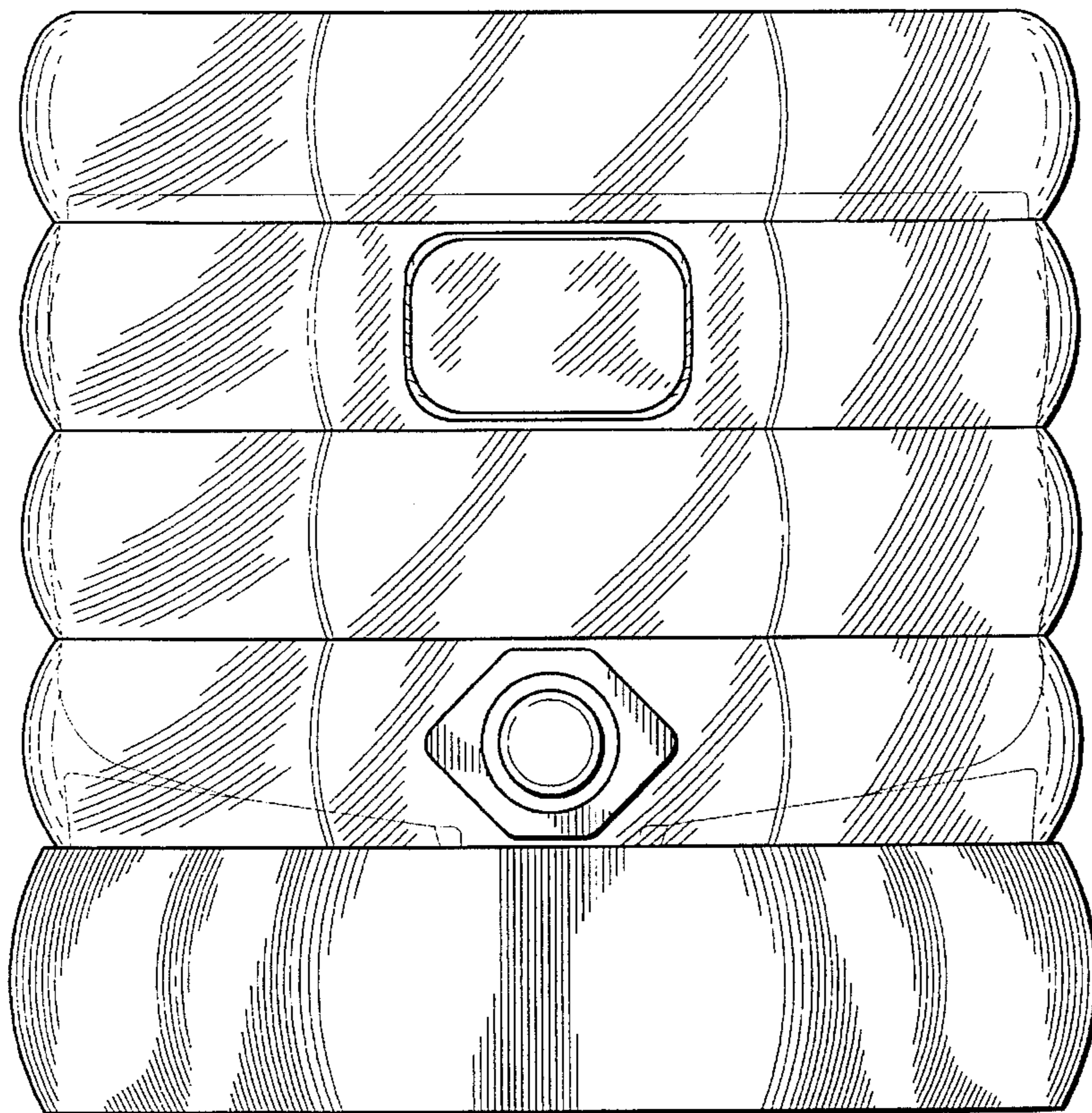


FIG. 2

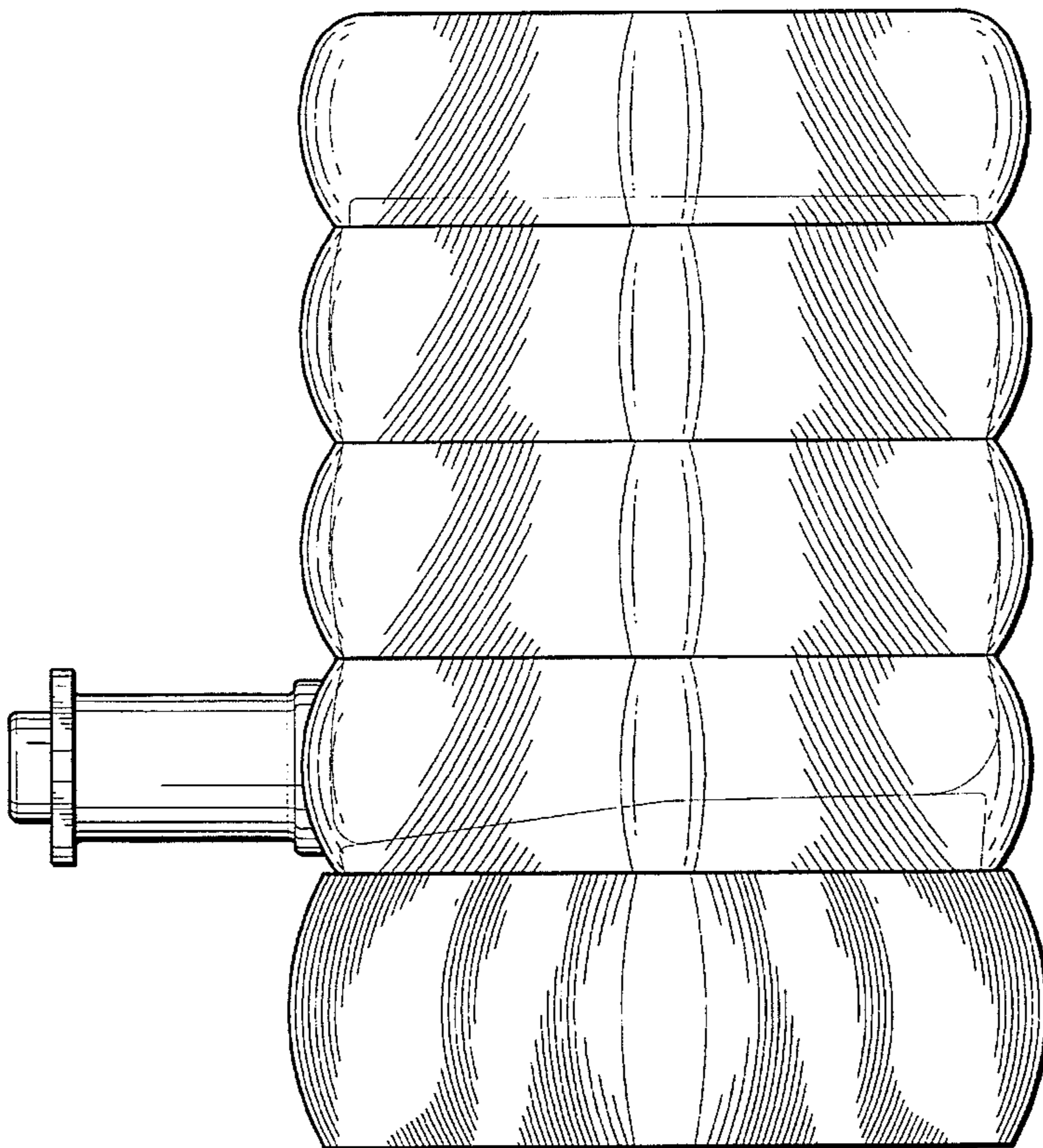


FIG. 3

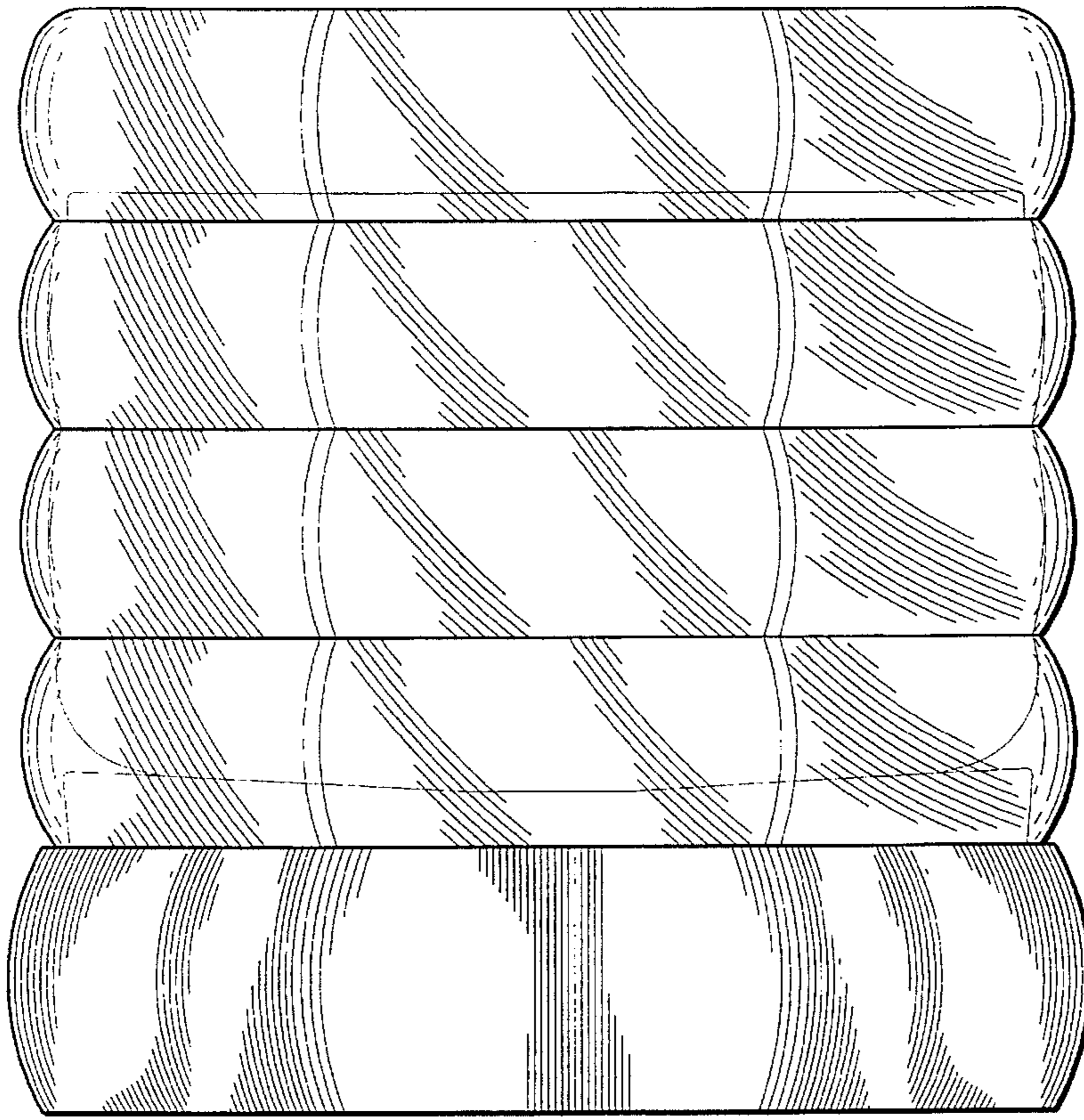


FIG. 4

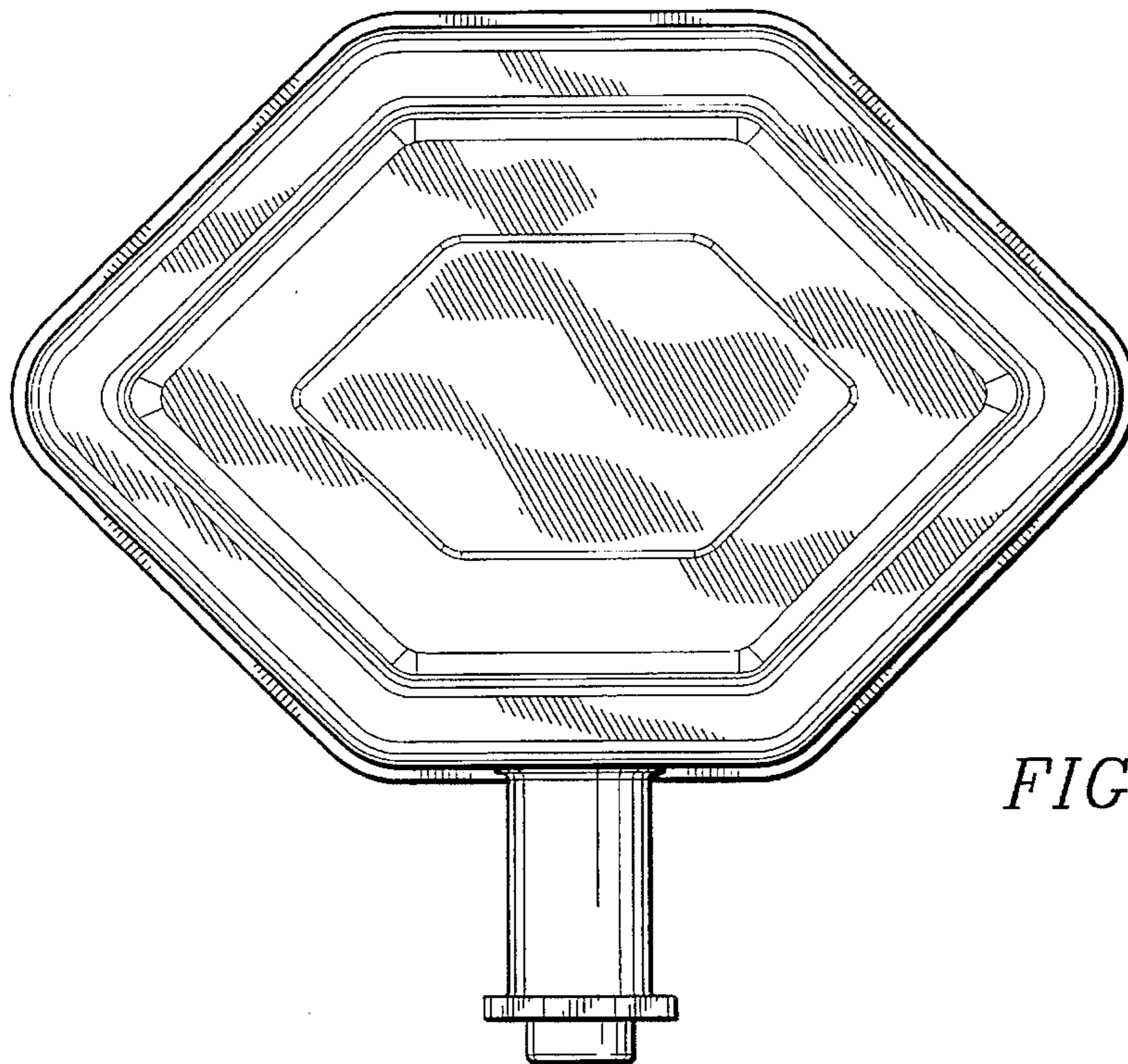


FIG. 5