



US00D378052S

# United States Patent [19]

Perreault

[11] Patent Number: **Des. 378,052**

[45] Date of Patent: **\*\*Feb. 18, 1997**

[54] **SOIL ANCHOR**

[76] Inventor: **Gilles Perreault**, 88, Principale,  
Frampton, Quebec, Canada, G0R 1M0

[\*\*] Term: **14 Years**

[21] Appl. No.: **32,647**

[22] Filed: **Dec. 9, 1994**

[30] **Foreign Application Priority Data**

Aug. 20, 1993 [CA] Canada ..... 20-08-93-3

[52] U.S. Cl. .... **D8/387**

[58] Field of Search ..... D25/127, 131,  
D25/133, 199; D8/387, 393; 47/41.14;  
52/698, 702, 703, 706, 153-159, 161-165,  
103

[56] **References Cited**

**U.S. PATENT DOCUMENTS**

798,851 9/1905 Weilandt ..... 52/103

2,084,239	6/1937	Bradford	.....	52/156
2,603,319	7/1952	Dyche	.....	52/157
2,999,572	9/1961	Hinckley	.....	52/156
3,205,626	9/1965	Attenberger	.....	52/103
3,688,454	9/1972	Wolfcarius	.....	52/103
5,046,699	9/1991	Perreault	.....	248/533
5,358,209	10/1994	Ward	.....	52/157

*Primary Examiner*—Louis S. Zarfes  
*Assistant Examiner*—Gregory Andoll

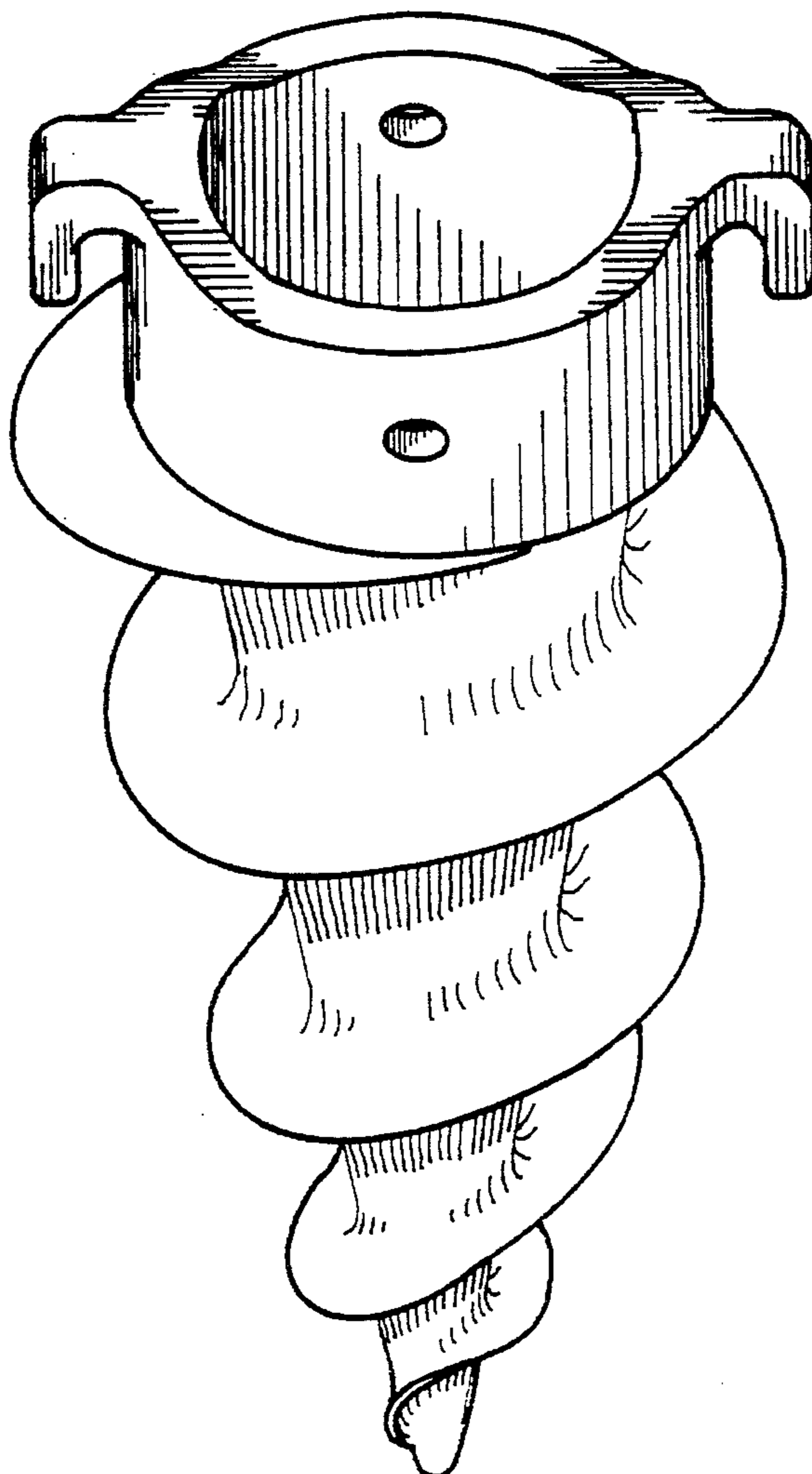
[57] **CLAIM**

The ornamental design for a soil anchor, as shown and described.

**DESCRIPTION**

FIG. 1 is a perspective view of a soil anchor showing my new design;  
FIG. 2 is a side elevational view thereof;  
FIG. 3 is a longitudinal sectional view taken along line 3—3 thereof;  
FIG. 4 is a sectional view taken along line 4—4 thereof; and,  
FIG. 5 is a top view thereof.

**1 Claim, 2 Drawing Sheets**



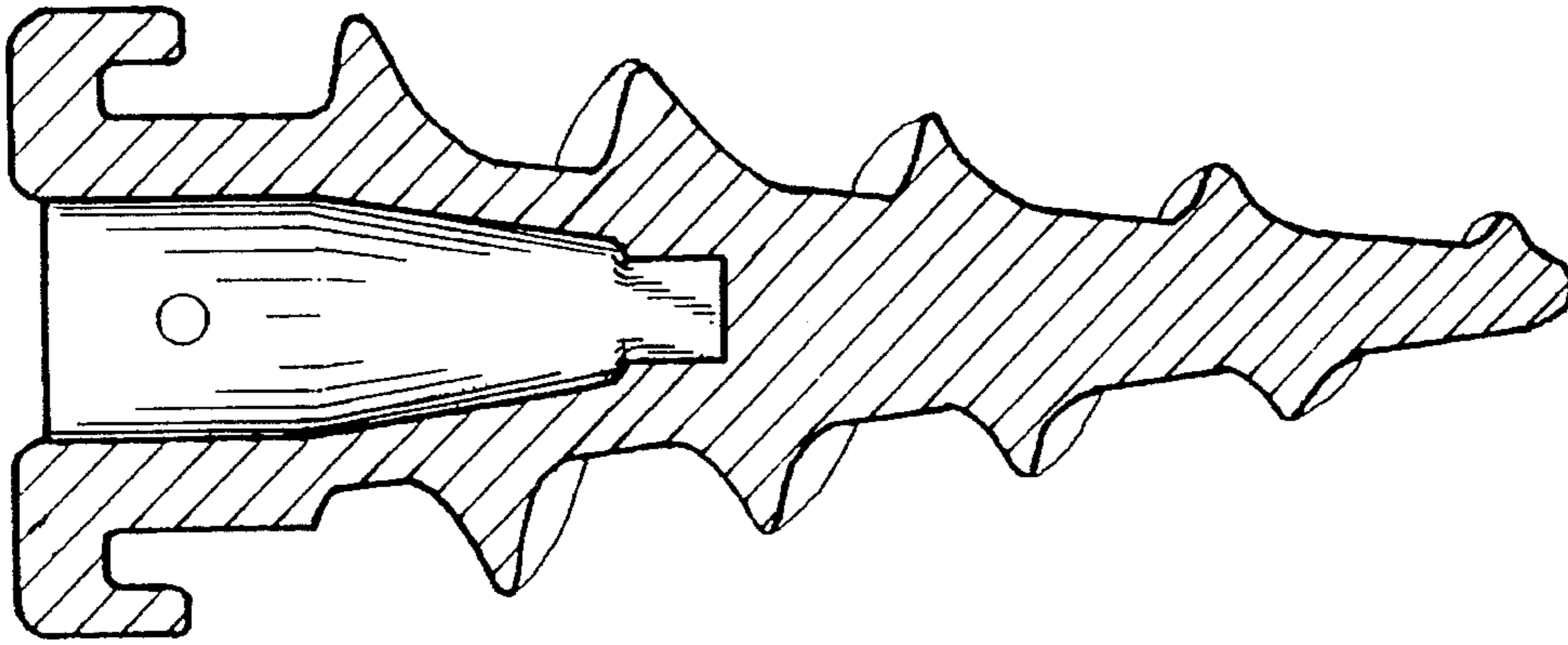


FIG. 3

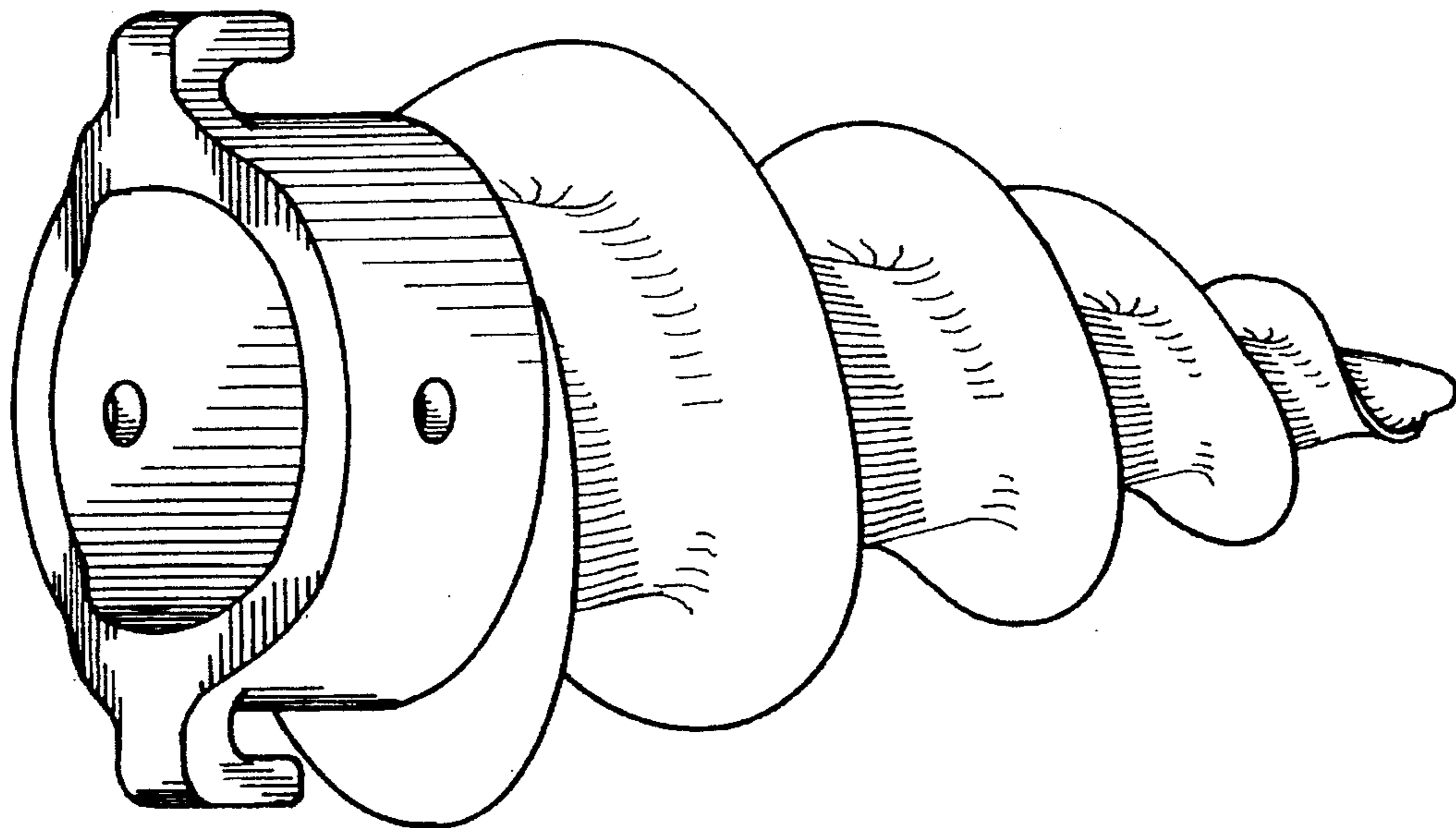


FIG. 1

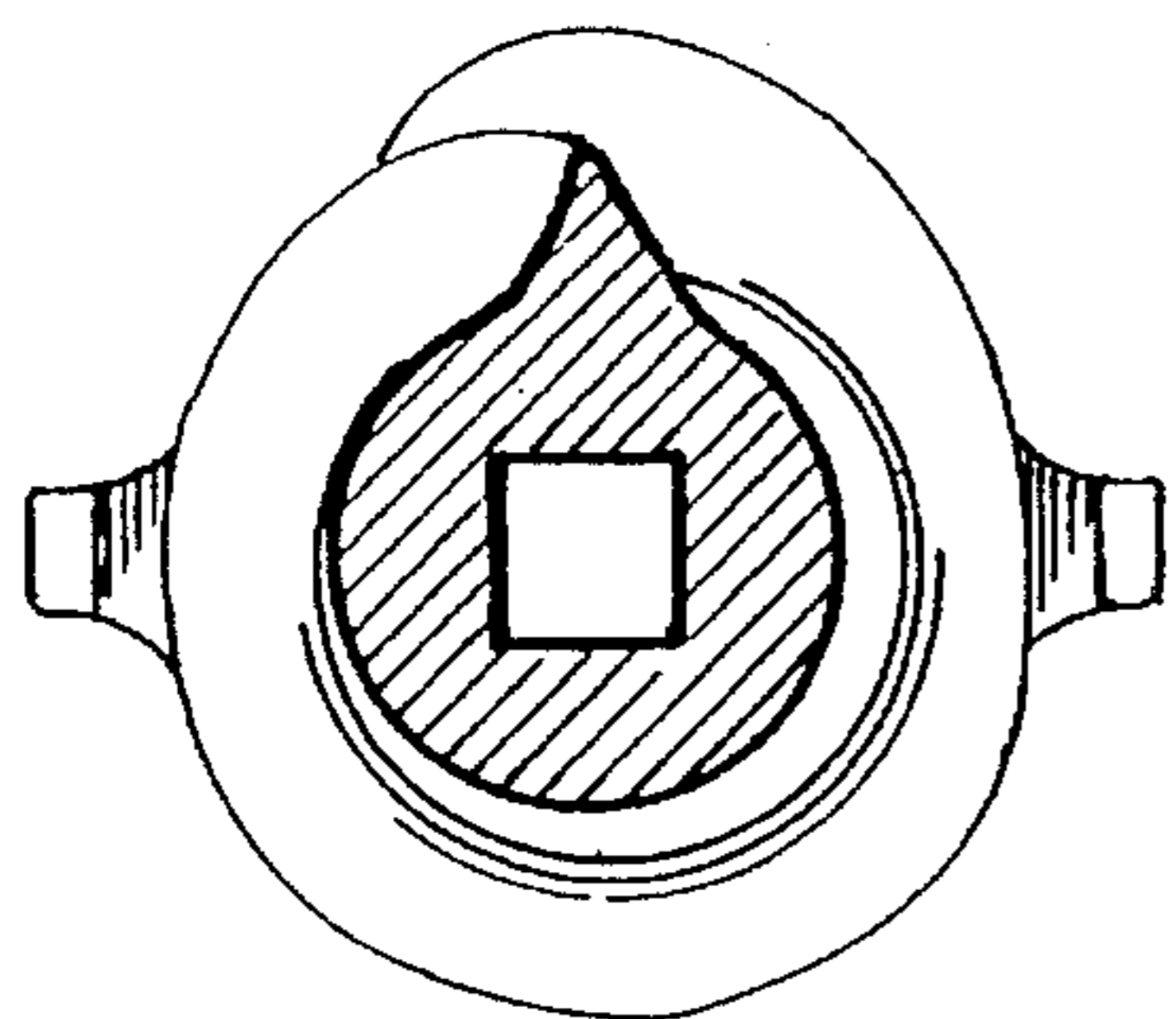


FIG. 4

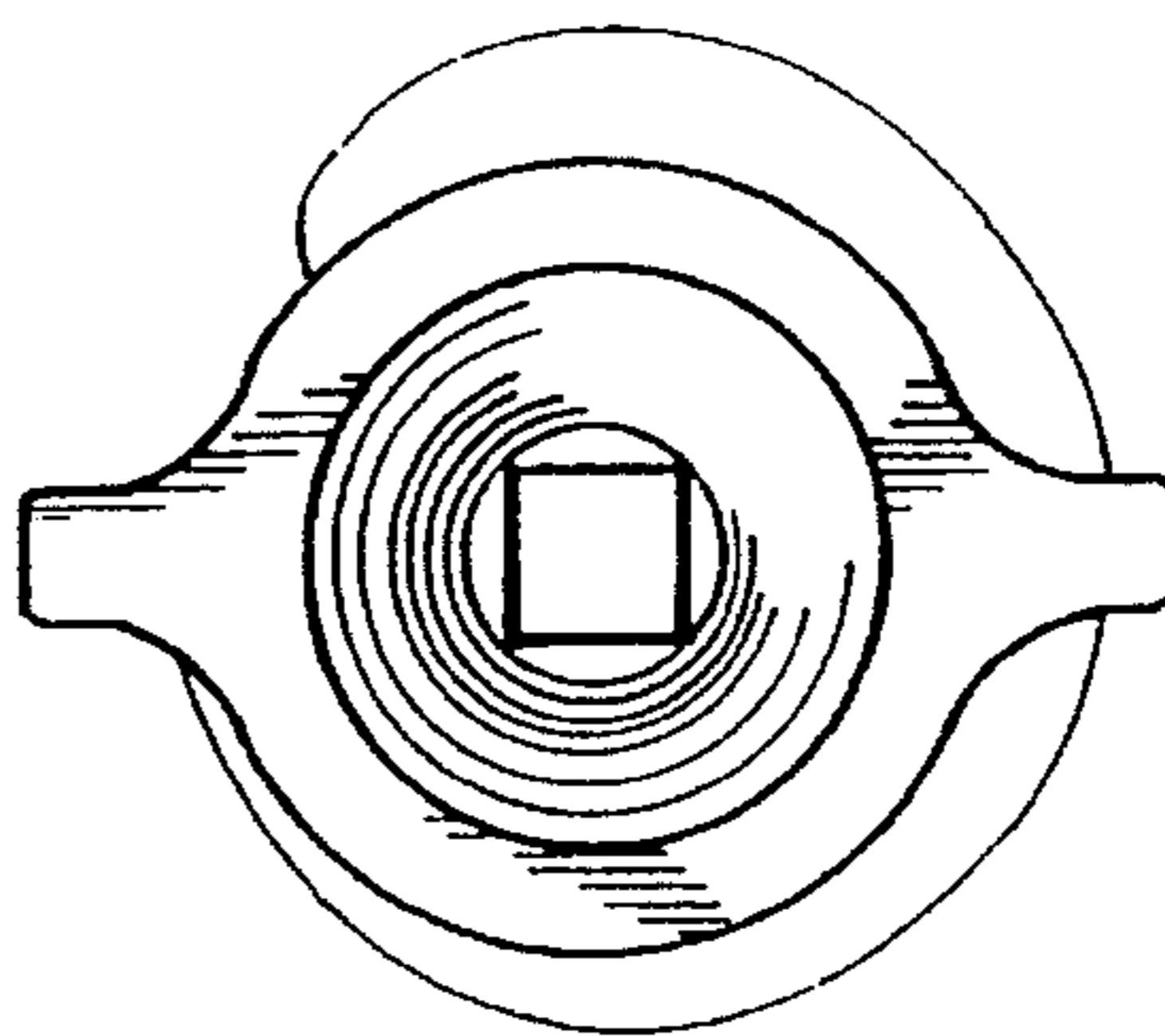


FIG. 5

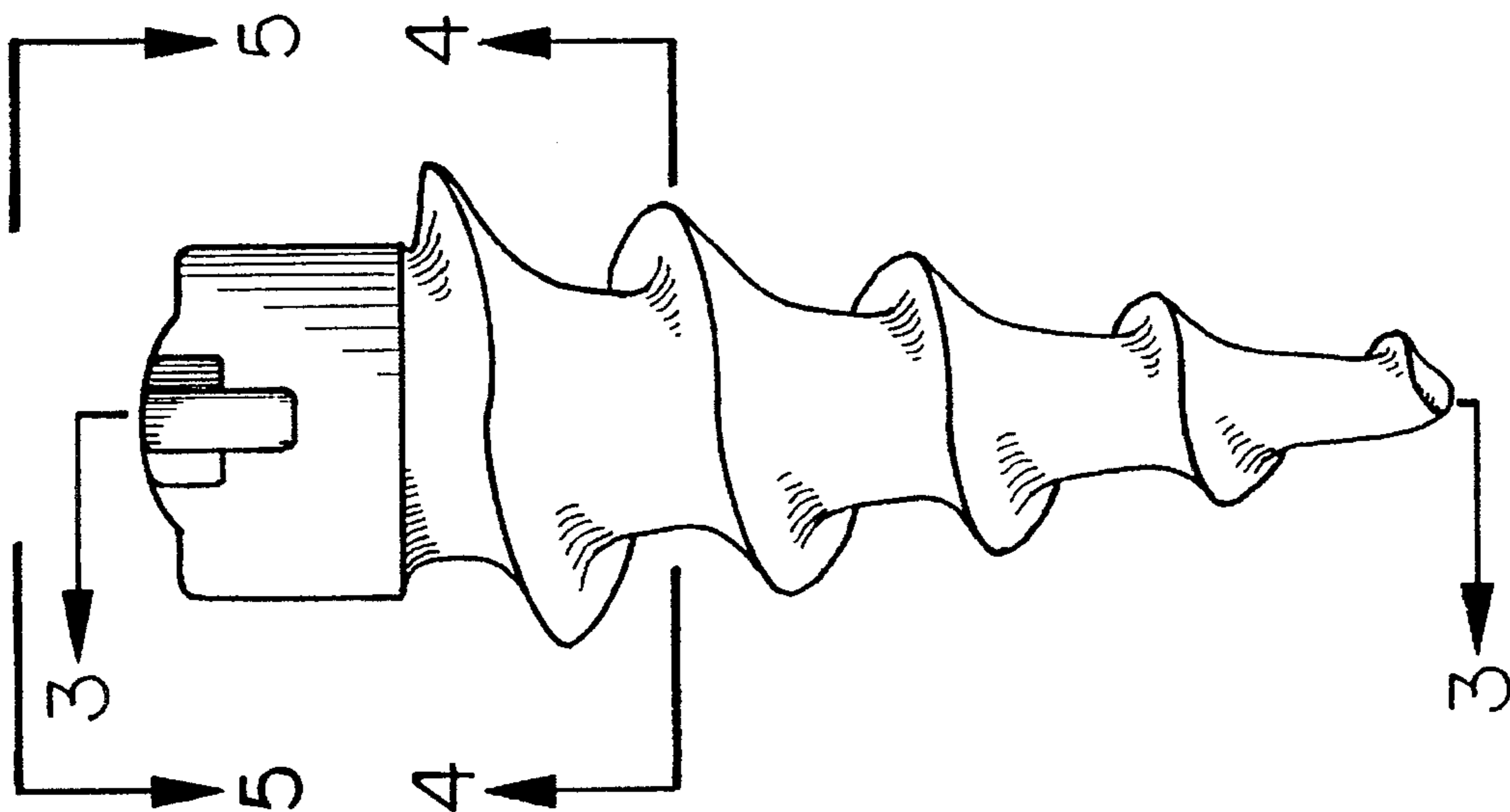


FIG. 2