



US00D378050S

United States Patent [19]

Richeson

[11] Patent Number: **Des. 378,050**

[45] Date of Patent: ****Feb. 18, 1997**

[54] **PEG BOARD HOOK**

4,434,960 3/1984 Berry 248/220.4
4,714,221 12/1987 Cawrey 248/221.1

[76] Inventor: **James Richeson**, 23504-29 Ave. W.,
Brier, Wash. 98036

Primary Examiner—Holly H. Baynham
Attorney, Agent, or Firm—Michael Folise

[**] Term: **14 Years**

[57] **CLAIM**

[21] Appl. No.: **617,867**

The ornamental design for a peg board hook, as shown and described.

[22] Filed: **Nov. 26, 1990**

[52] U.S. Cl. **D8/367**

[58] Field of Search D8/367; 248/220.3,
248/215, 220.4, 221.1, 302-303, 339; 24/26-27,
29

DESCRIPTION

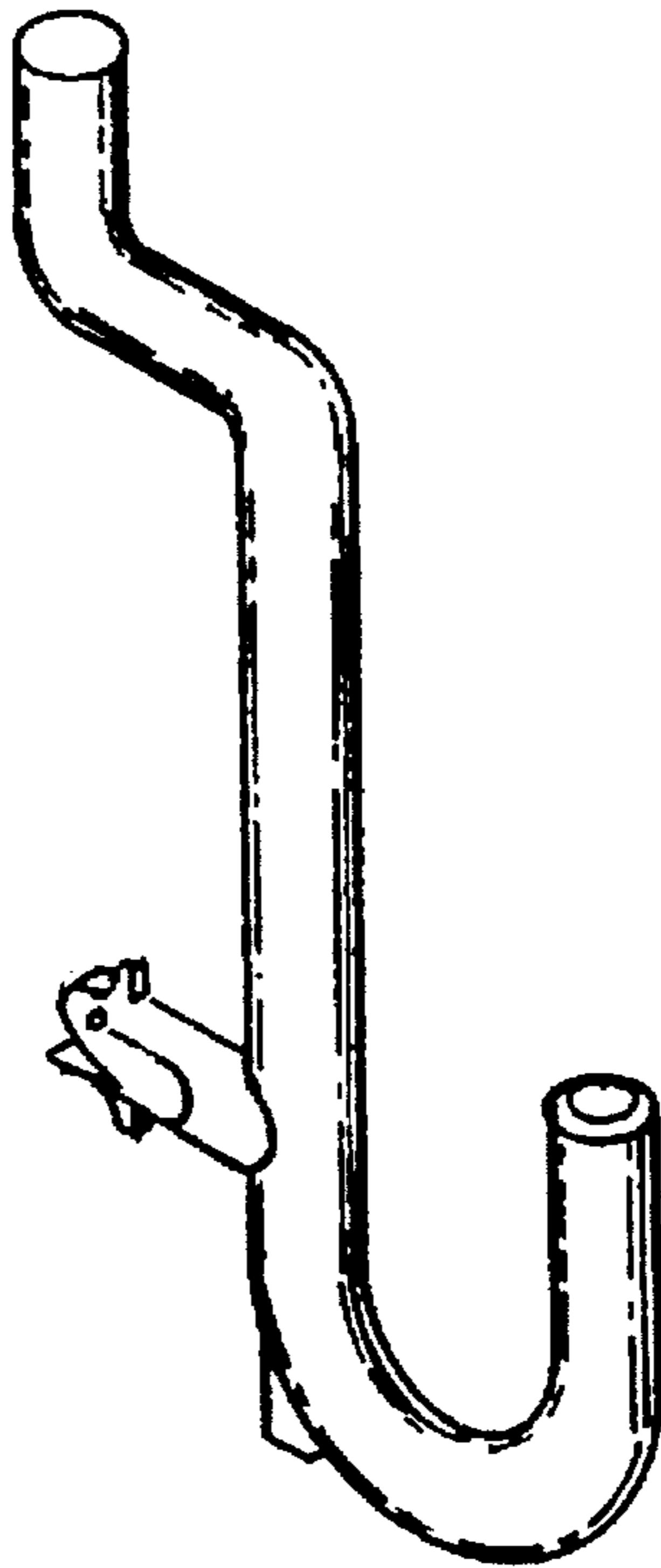
FIG. 1 is a front isometric view of a peg board hook in accordance with the general principals of the invention; FIG. 2 is an enlarged right side elevational view of the peg board hook with the opposite side being a mirror image thereof; FIG. 3 is a front elevational view of the peg board hook; FIG. 4 is a rear elevational view of the peg board hook; FIG. 5 is a top plan view of the peg board hook; and, FIG. 6 is a bottom plan view of the peg board hook.

[56] **References Cited**

U.S. PATENT DOCUMENTS

2,872,145	2/1959	Goldsholl	248/221.1
2,987,286	6/1961	Alling	248/220.3
3,037,733	6/1962	Roman	D8/363 X
3,094,892	6/1963	Topf	248/220.3 X
3,313,509	4/1967	Lockert	248/247 X

1 Claim, 1 Drawing Sheet



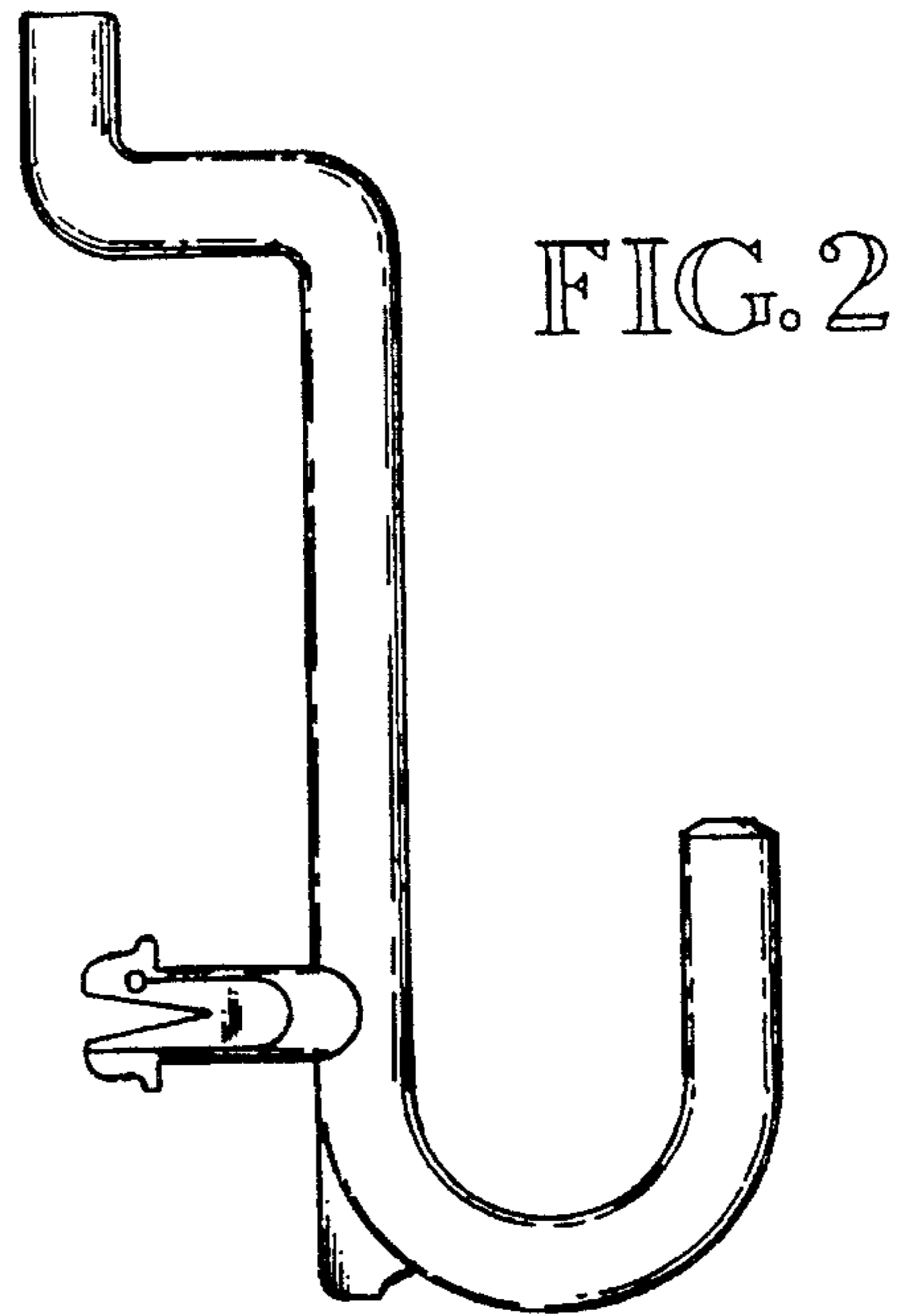
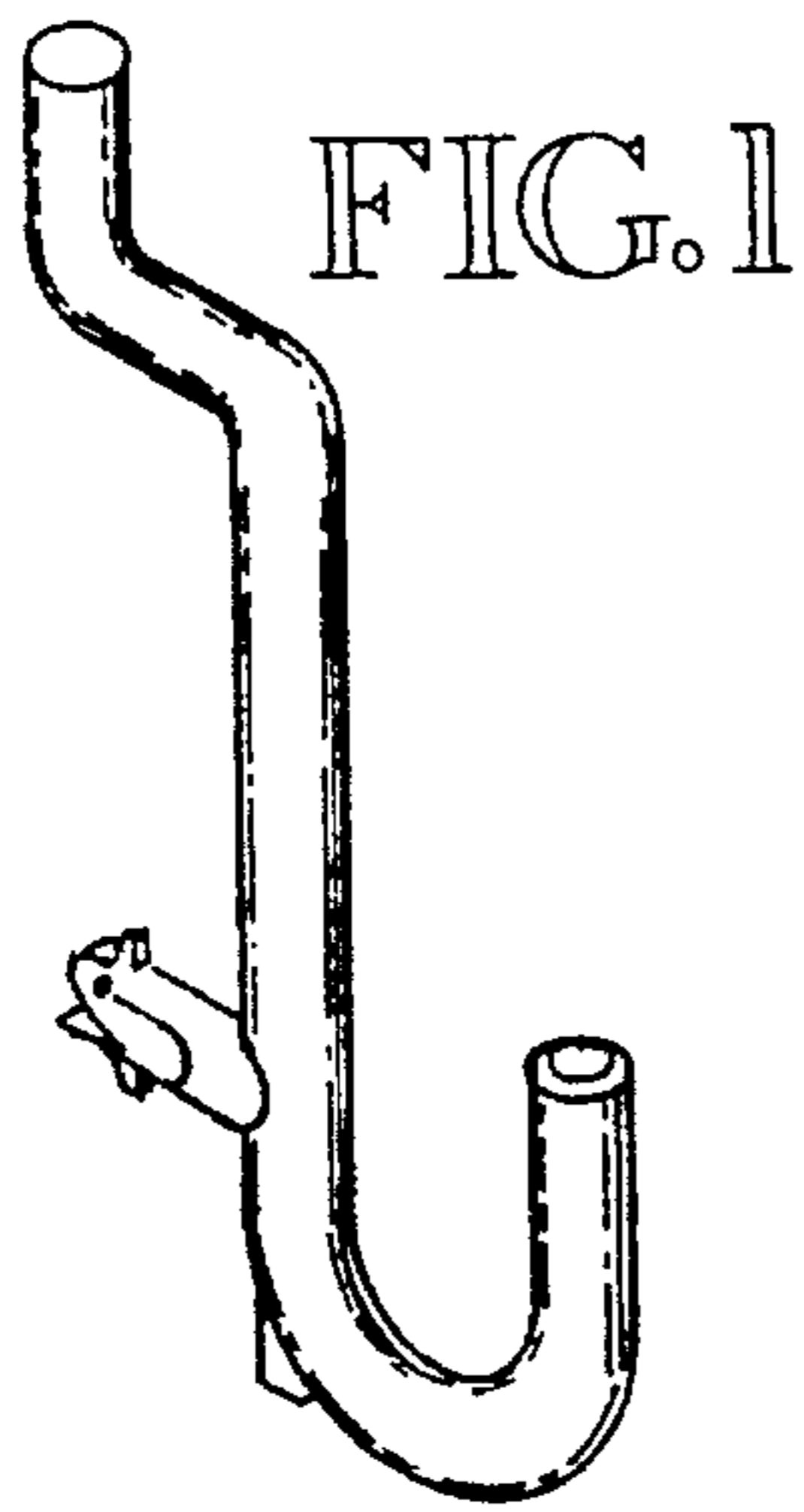


FIG. 3



FIG. 4



FIG. 5



FIG. 6