



US00D378049S

# United States Patent [19]

[11] **Patent Number: Des. 378,049**

**Boeshart**

[45] **Date of Patent: \*\*Feb. 18, 1997**

[54] **TIE FOR CONCRETE FORMING SYSTEM**

[57] **CLAIM**

[76] Inventor: **Patrick E. Boeshart, P.O. Box 774, Sioux City, Iowa 51102**

The ornamental design for a tie for concrete forming system, as shown and described.

[\*\*] Term: **14 Years**

### DESCRIPTION

[21] Appl. No.: **51,604**

[22] Filed: **Mar. 14, 1996**

[52] U.S. Cl. .... **D8/354**

[58] Field of Search ..... D8/354; 52/426, 52/698; 249/194, 216

FIG. 1 is a perspective view of the tie for a concrete forming system showing my new design;

FIG. 2 is a top elevational view thereof, the bottom elevational view being a mirror image thereof;

FIG. 3 is a front elevational view, the rear elevational view being a mirror image thereof;

FIG. 4 is an elevational view taken from the left end of FIG. 3, the right end elevational view being a mirror image thereof;

FIG. 5 is a perspective view of a second embodiment of the tie for concrete forming systems showing my new design;

FIG. 6 is a top elevational view of the embodiment of FIG. 5, the bottom elevational view being a mirror image thereof;

FIG. 7 is a front elevational view of the embodiment of FIG. 5, the rear elevational view being a mirror image thereof;

and,

FIG. 8 is an elevational view taken from the left end of FIG. 7, the right end elevational view being a mirror image thereof.

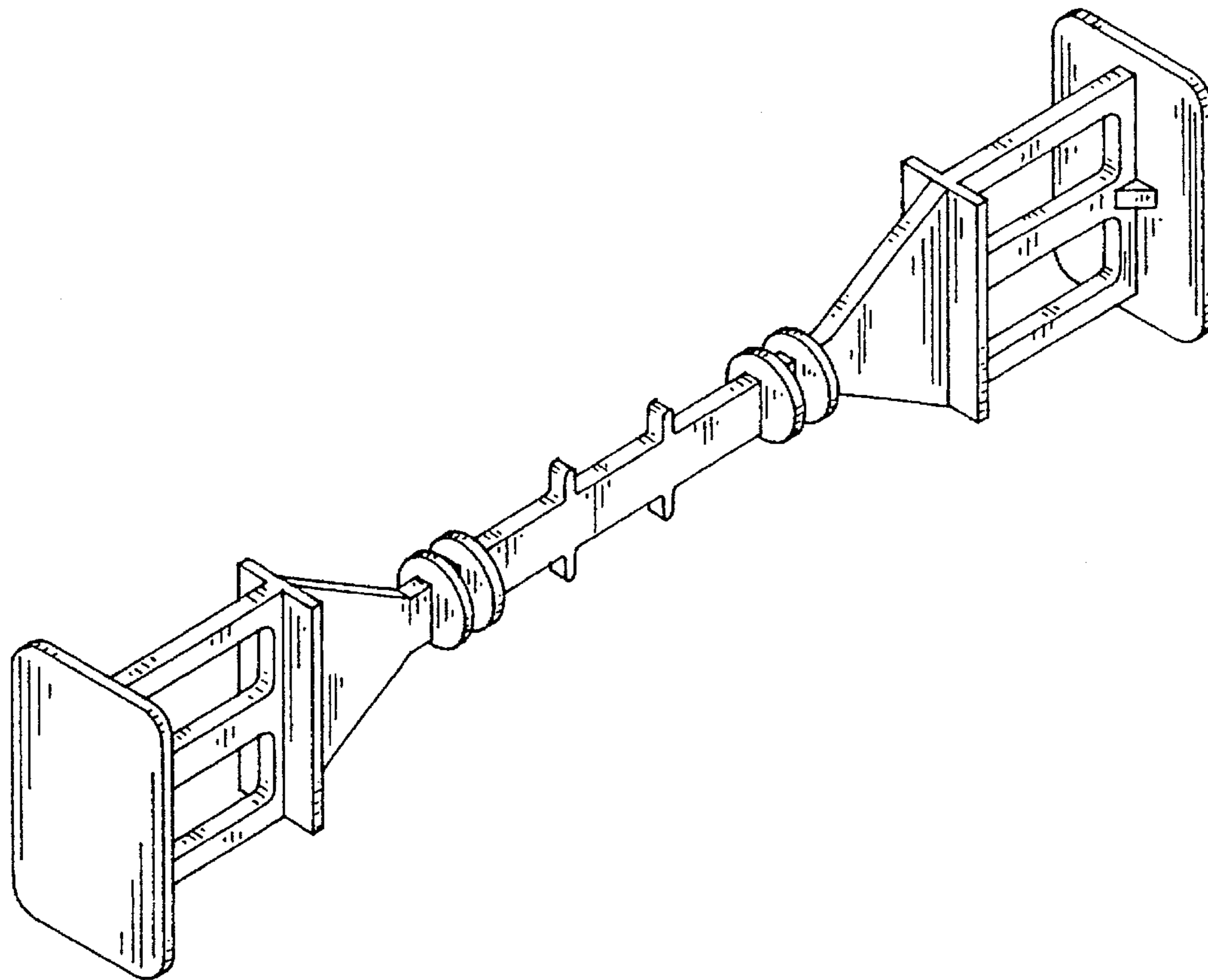
### [56] References Cited

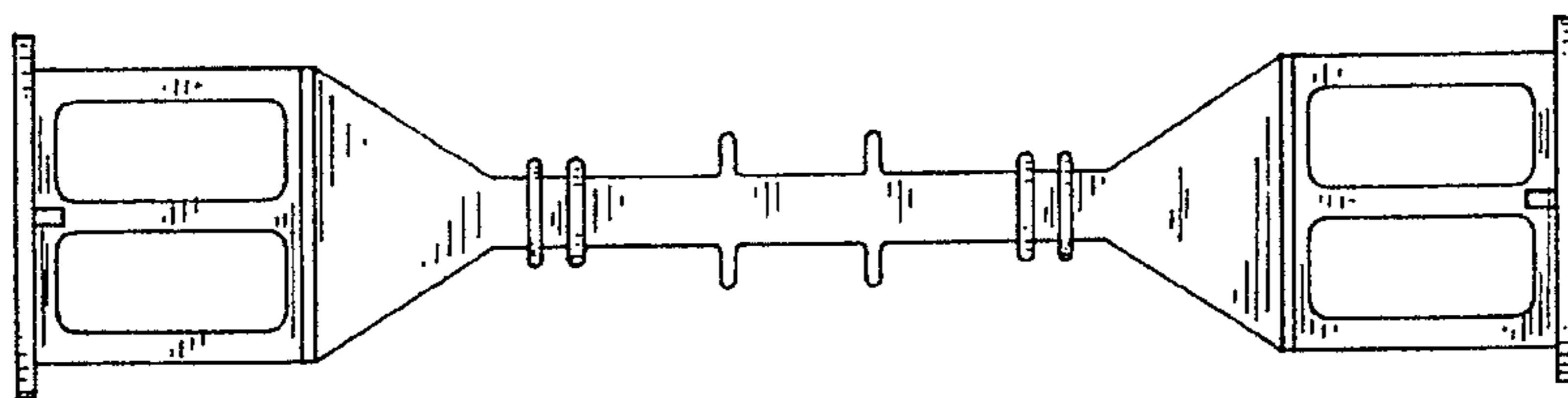
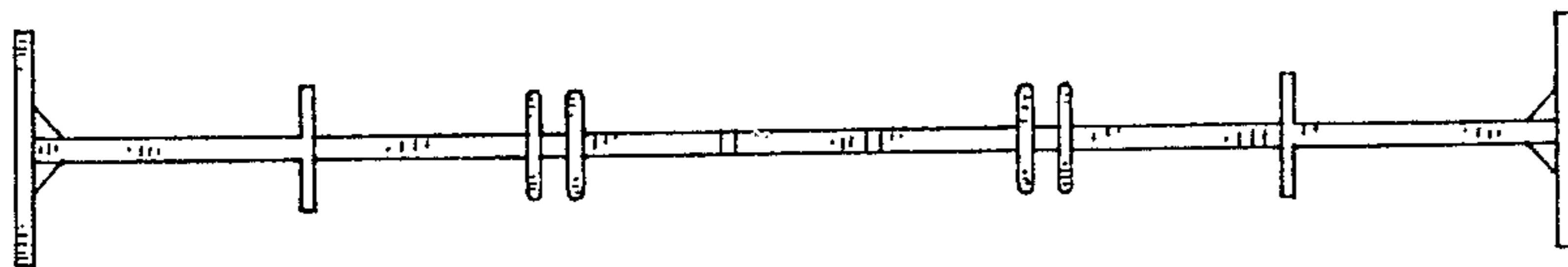
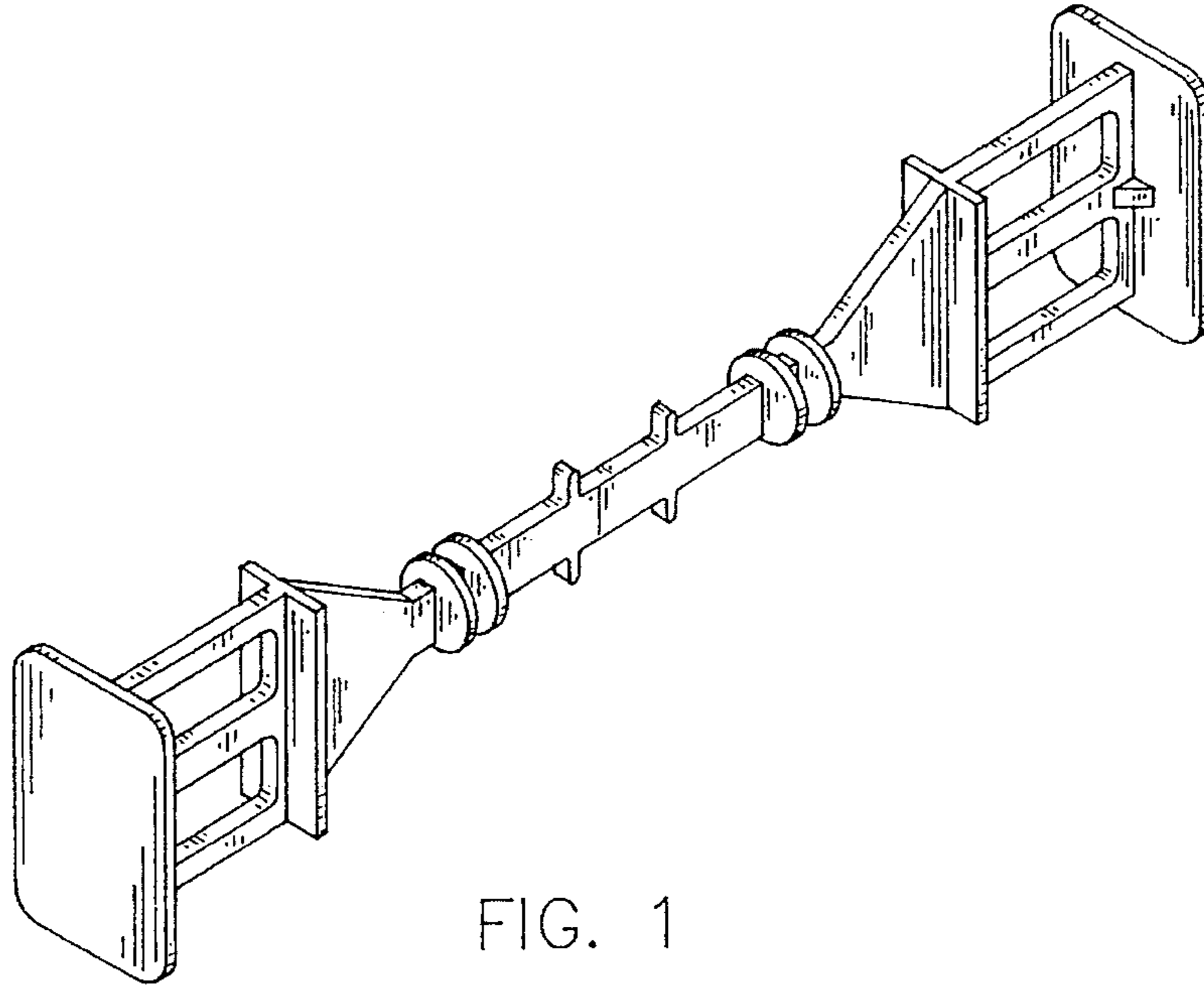
#### U.S. PATENT DOCUMENTS

D. 361,710	8/1995	Boeshart	.....	D8/354
4,730,422	3/1988	Young	.....	52/105
4,731,968	3/1988	Obino	.....	52/309.12
4,765,109	8/1988	Boeshart	.....	52/426
4,936,540	6/1990	Boeshart	.....	249/216
4,938,449	7/1990	Boeshart	.....	249/216
5,039,058	8/1995	Boeshart	.....	249/194
5,390,459	2/1995	Menson	.....	52/426

Primary Examiner—Holly H. Baynham  
Attorney, Agent, or Firm—Zarley, McKee, Thomte Voorhees & Sease; Mark D. Frederiksen

**1 Claim, 2 Drawing Sheets**





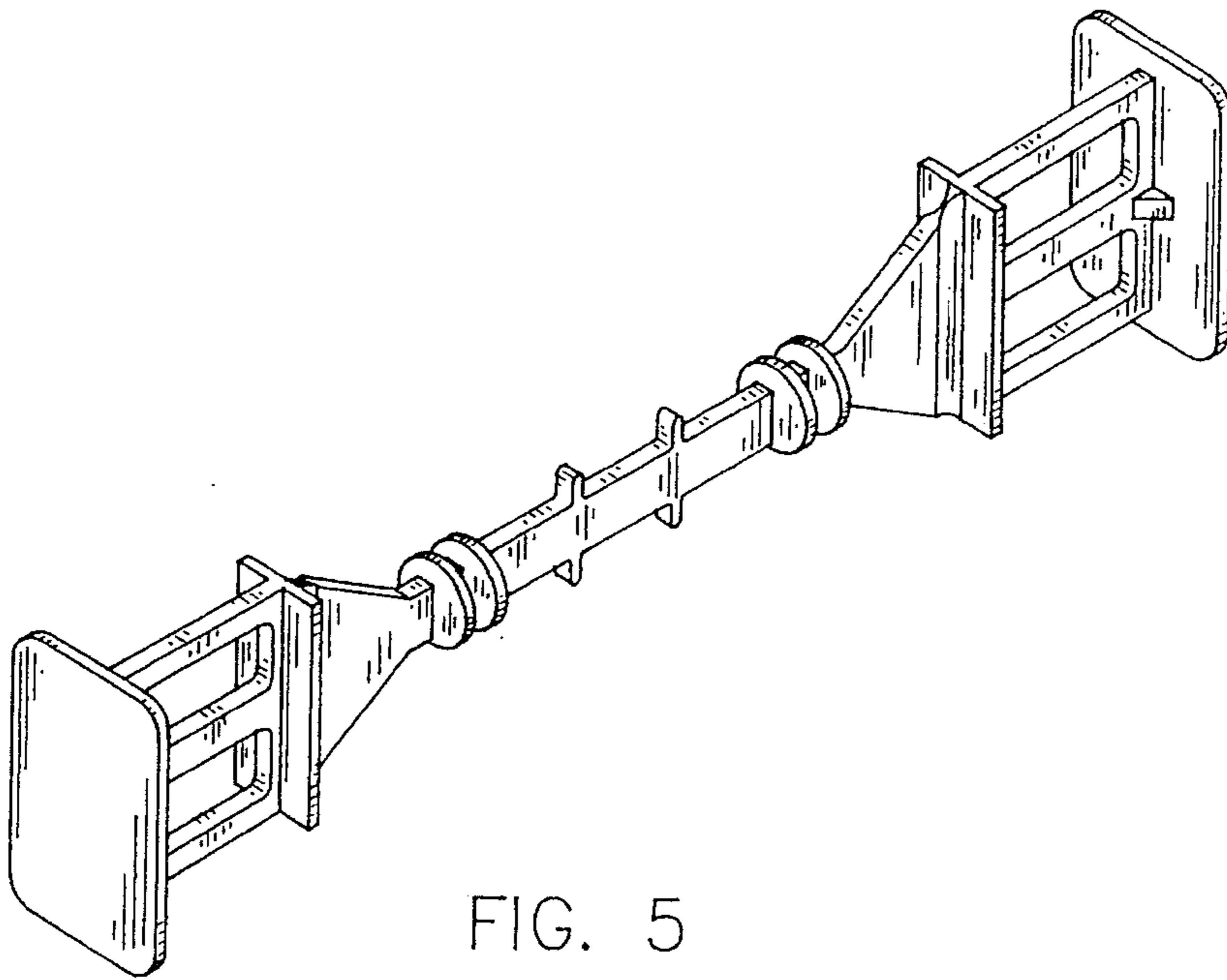


FIG. 5

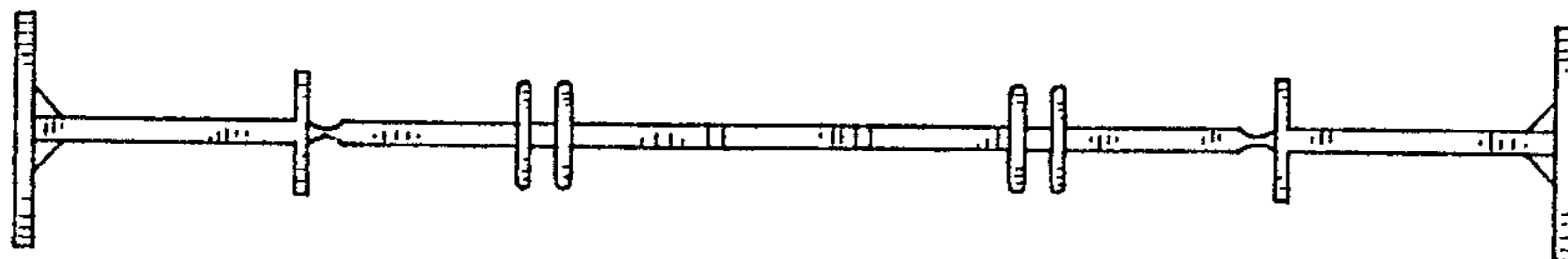


FIG. 6

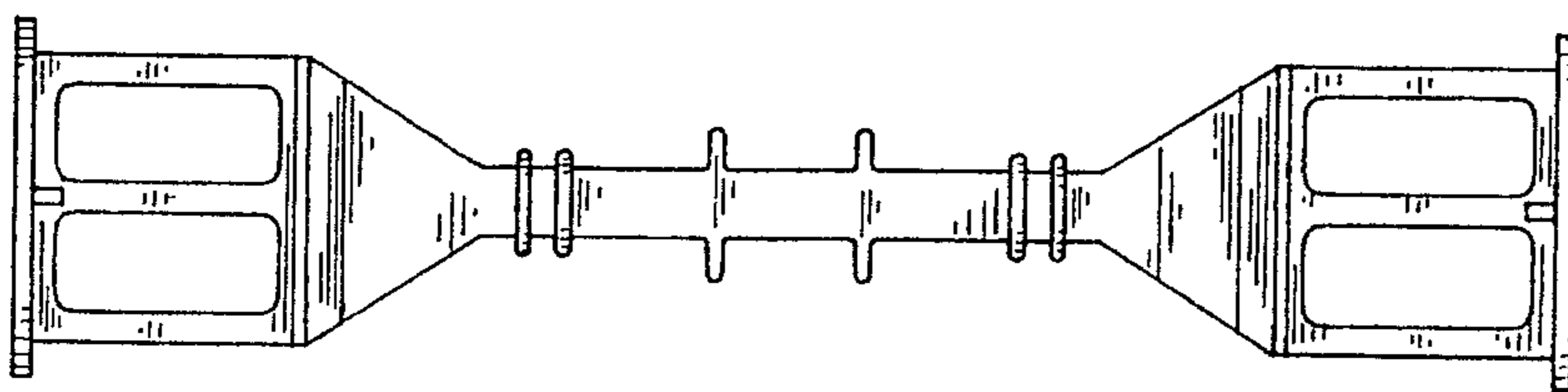


FIG. 7

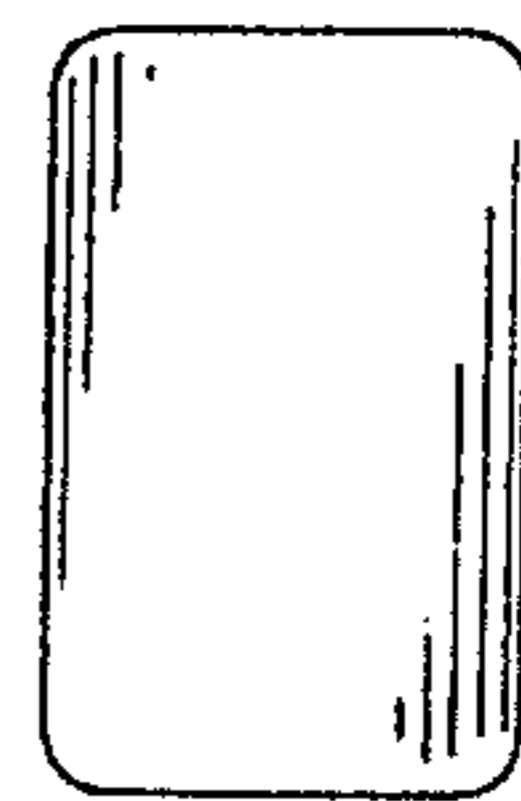


FIG. 8