



US00D378046S

United States Patent [19] Sweeney

[11] Patent Number: **Des. 378,046**

[45] Date of Patent: ****Feb. 18, 1997**

[54] PARTS HOLDER

5,337,856 8/1994 Fillers 248/500 X

[76] Inventor: **Irwin W. Sweeney**, 1640 Harmony rd.,
Winnemucca, Nev. 89445

FOREIGN PATENT DOCUMENTS

2500425 7/1975 Germany 248/500

[**] Term: **14 Years**

Primary Examiner—Holly H. Baynham
Attorney, Agent, or Firm—Burd, Bartz & Gutenkauf

[21] Appl. No.: **42,450**

[57] CLAIM

[22] Filed: **Aug. 10, 1995**

The ornamental design for a parts holder, as shown and described.

[52] U.S. Cl. **D8/354**

[58] Field of Search D8/349, 354; 248/499,
248/500; 269/3, 254 R

DESCRIPTION

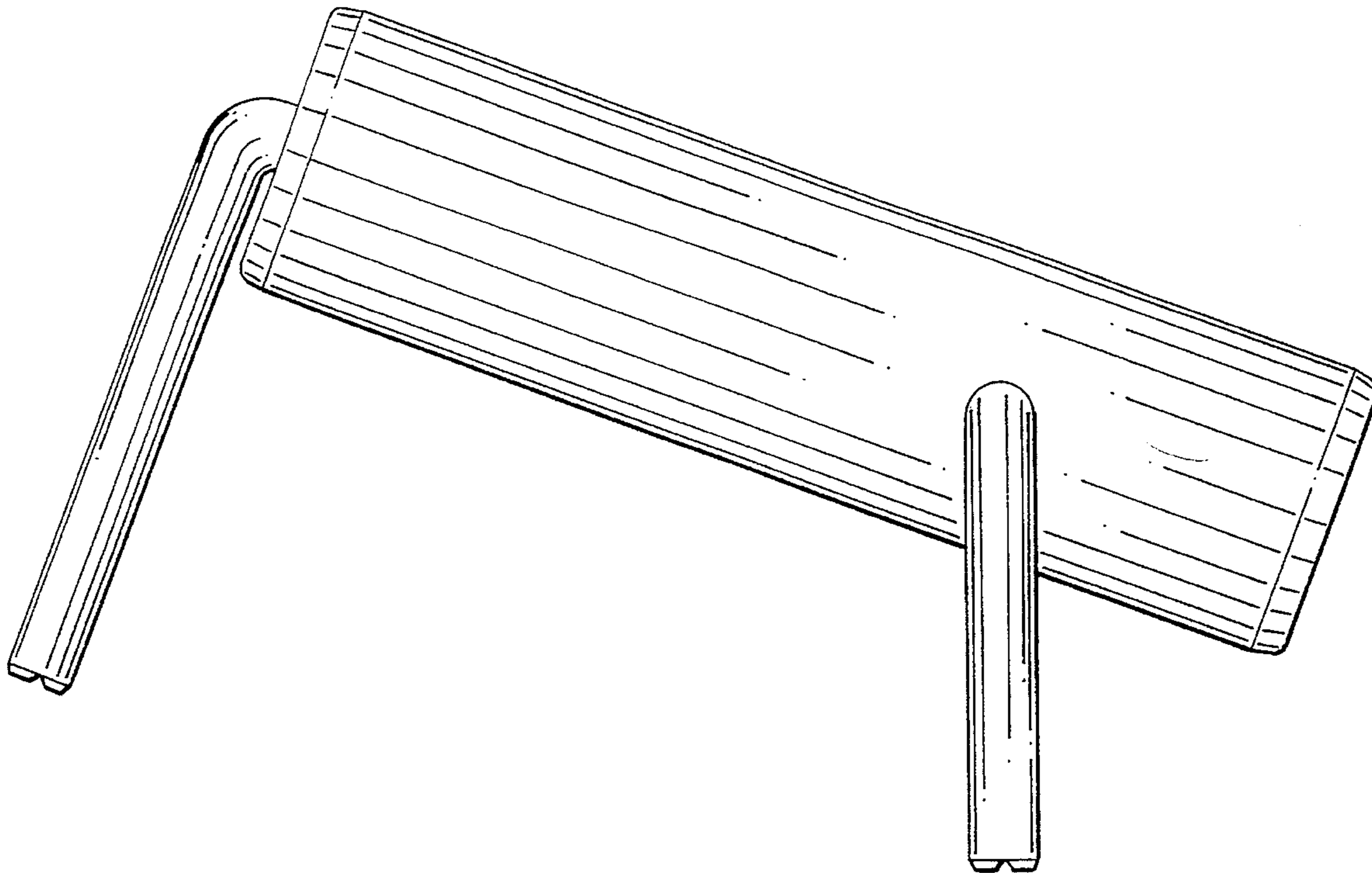
[56] References Cited

FIG. 1 is a side elevational view of the parts holder showing my new design, the opposite side is a mirror image thereof; FIG. 2 is a top plan view thereof; FIG. 3 is a bottom plan view thereof; FIG. 4 is an end elevational view of the left end thereof; and, FIG. 5 is an end elevational view of the right end thereof.

U.S. PATENT DOCUMENTS

878,523	2/1908	Greer .	
922,115	5/1909	Epperson	269/3
1,400,798	12/1921	Butler .	
2,709,384	5/1955	Harris .	
2,726,693	12/1955	Saxton .	

1 Claim, 2 Drawing Sheets



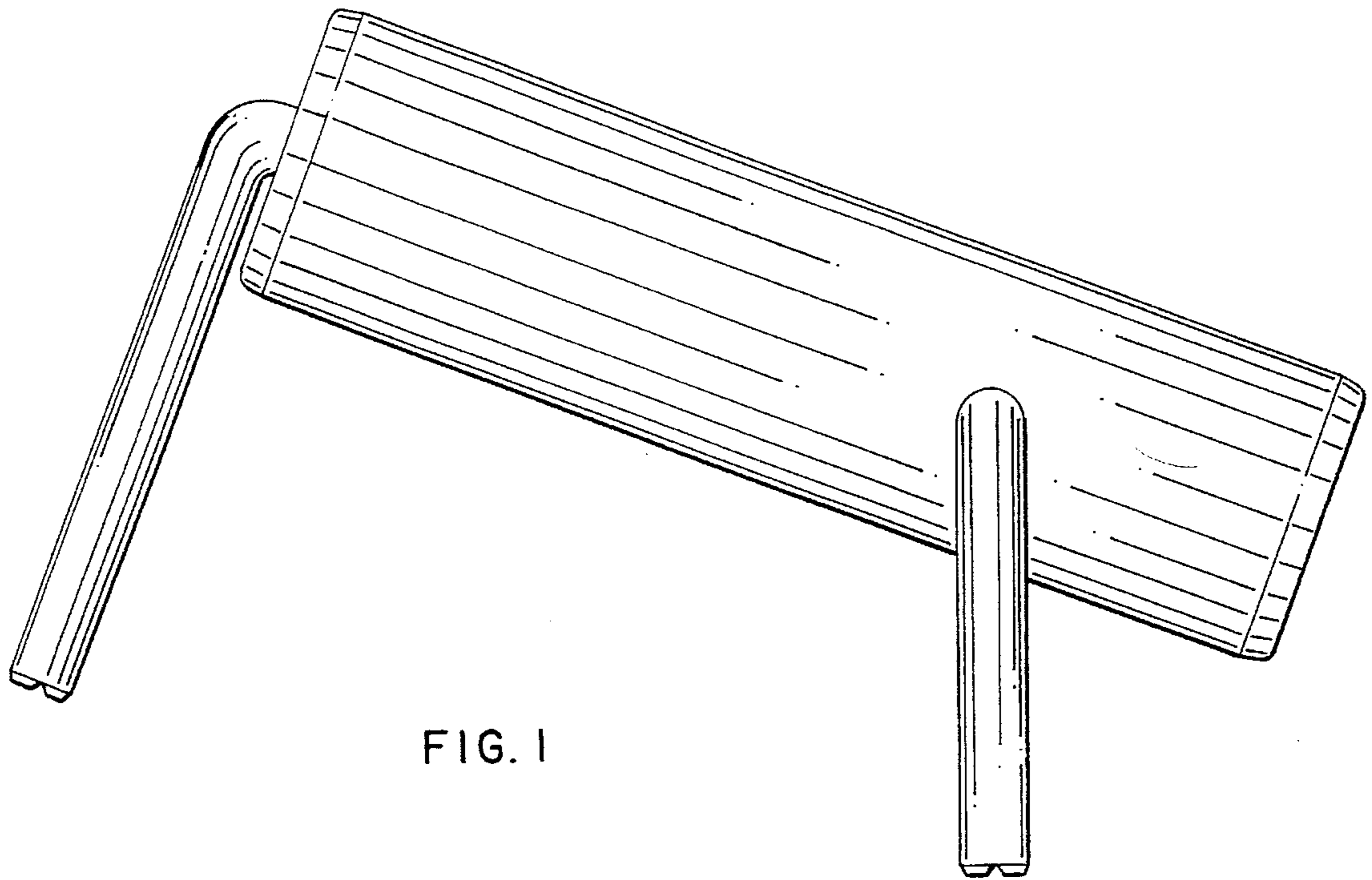


FIG. 1

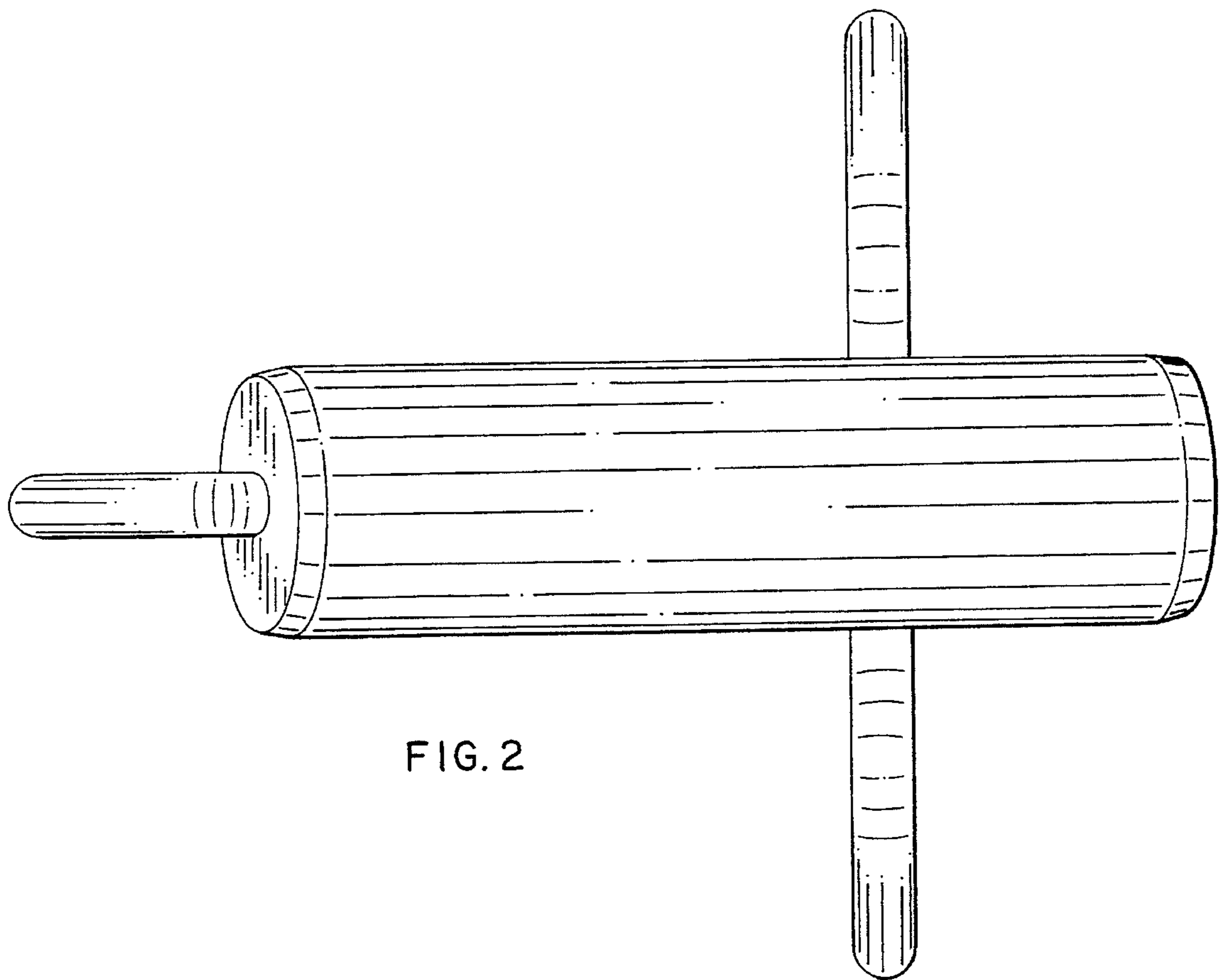


FIG. 2

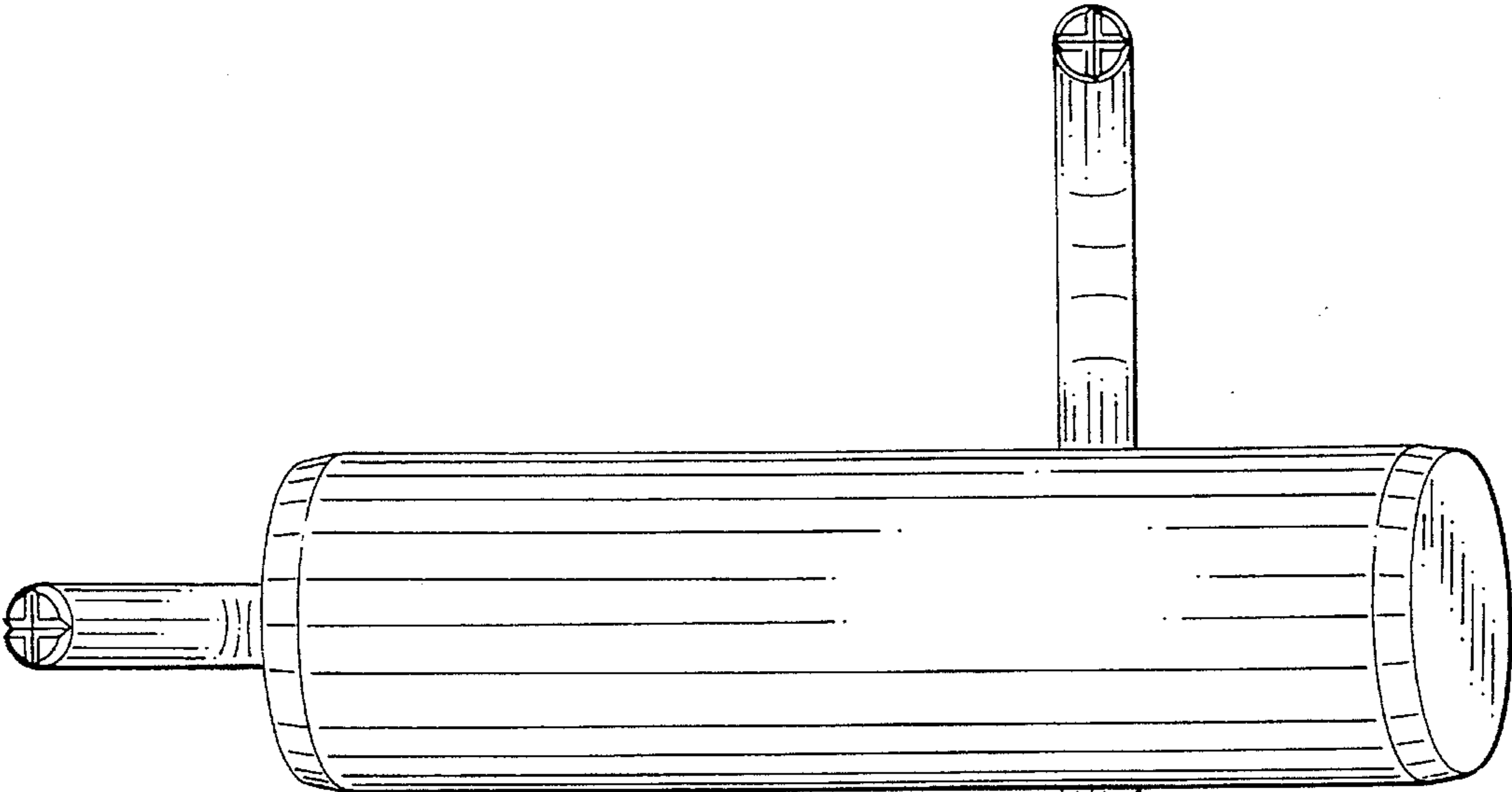


FIG. 3

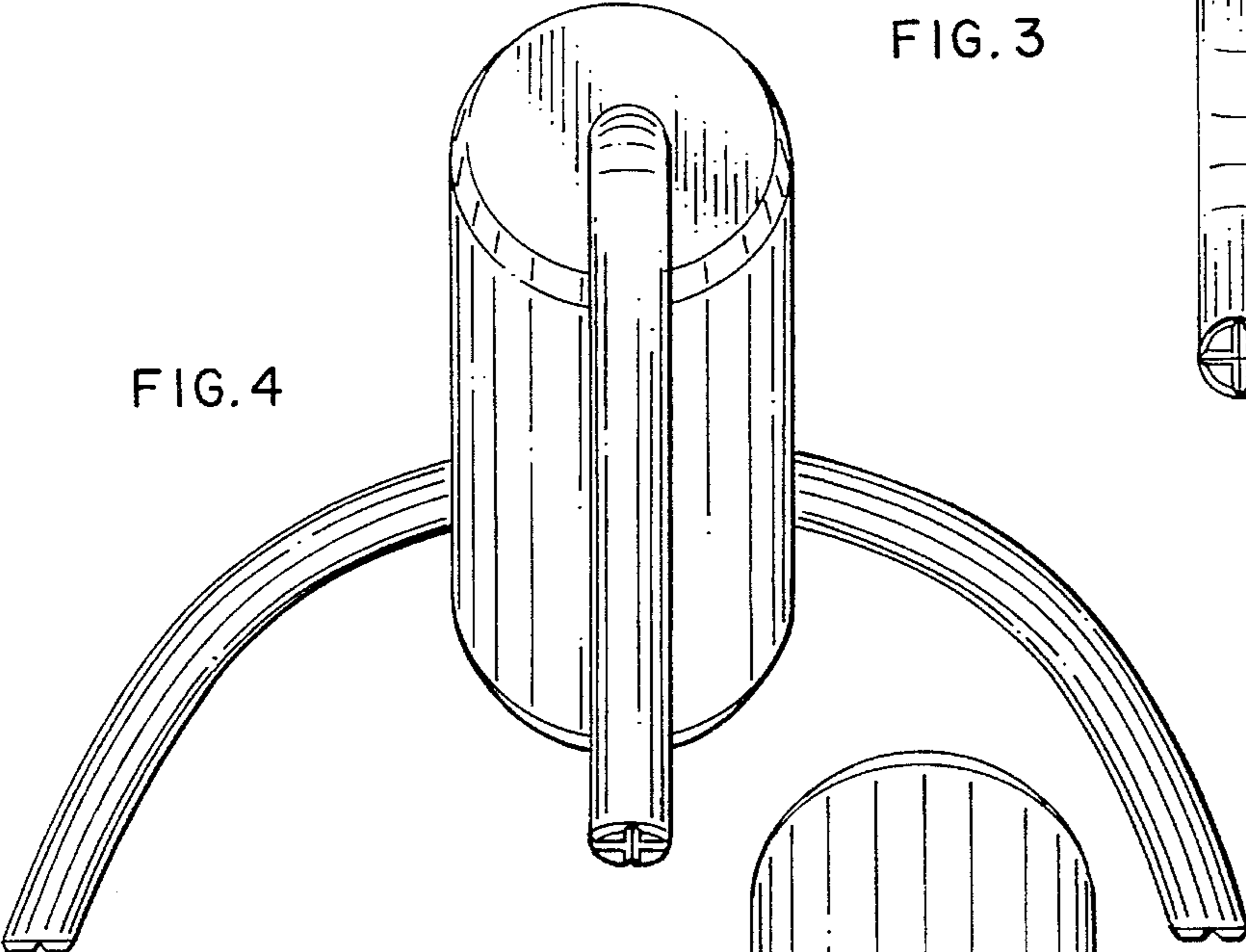


FIG. 4

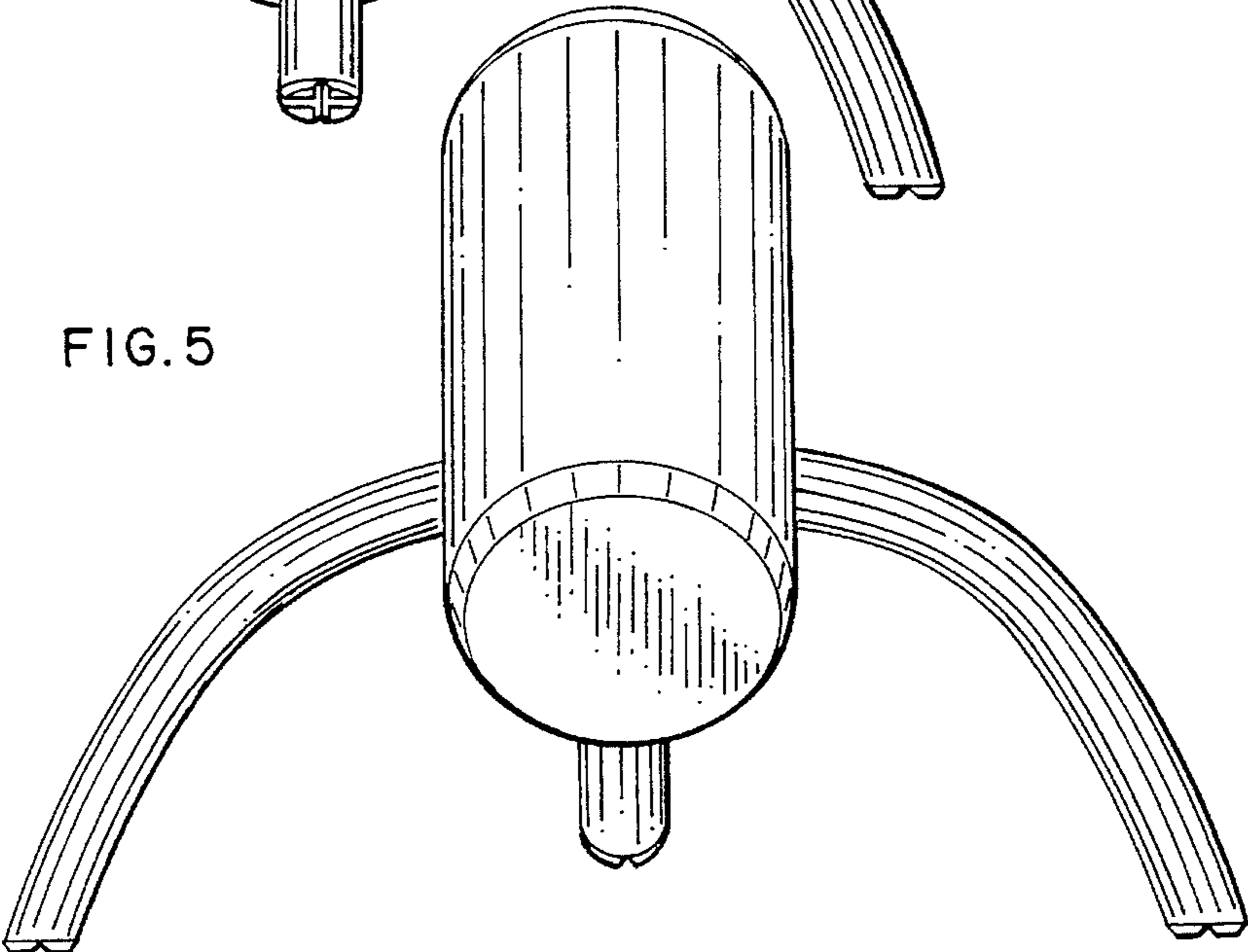


FIG. 5