



US00D378045S

# United States Patent [19]

[11] **Patent Number: Des. 378,045**

**Lewis et al.**

[45] **Date of Patent: \*\*Feb. 18, 1997**

[54] **SAFETY KNOB**

[76] Inventors: **Luke E. Lewis; Christopher E. Lewis**,  
both of 312 Arbor Vista Blvd., Jackson,  
Miss. 39209

[\*\*] Term: **14 Years**

[21] Appl. No.: **44,508**

[22] Filed: **Sep. 25, 1995**

[52] U.S. Cl. .... **D8/307**

[58] **Field of Search** ..... D8/300, 301, 302,  
D8/307, 311, 352; 16/110 R, 121, DIG. 65,  
DIG. 69; 292/347, 336.3, DIG. 27; D7/393;  
174/5 R; 70/215, 221, 472, 478

[56] **References Cited**

### U.S. PATENT DOCUMENTS

D. 203,867	2/1966	Russell et al. ....	D8/147
D. 238,047	12/1975	Meroni .....	D8/302
703,564	7/1902	Ellison .	
1,412,720	4/1922	Szafranski .	
1,621,876	3/1927	Doerr .	
1,668,403	5/1928	Haven .....	70/221
2,039,011	4/1936	Leonard .	

2,449,711	9/1948	Milligan .....	70/215
2,525,562	10/1950	Reeves .	
3,035,567	5/1962	Reeves .	
3,200,807	8/1965	Culligan .	
3,462,183	8/1969	Dudley et al. ....	292/347
3,764,103	10/1973	Oliverio .	
4,300,525	11/1981	Delgado et al. .	

*Primary Examiner*—Paula A. Mortimer  
*Attorney, Agent, or Firm*—Burd, Bartz & Gutenkauf

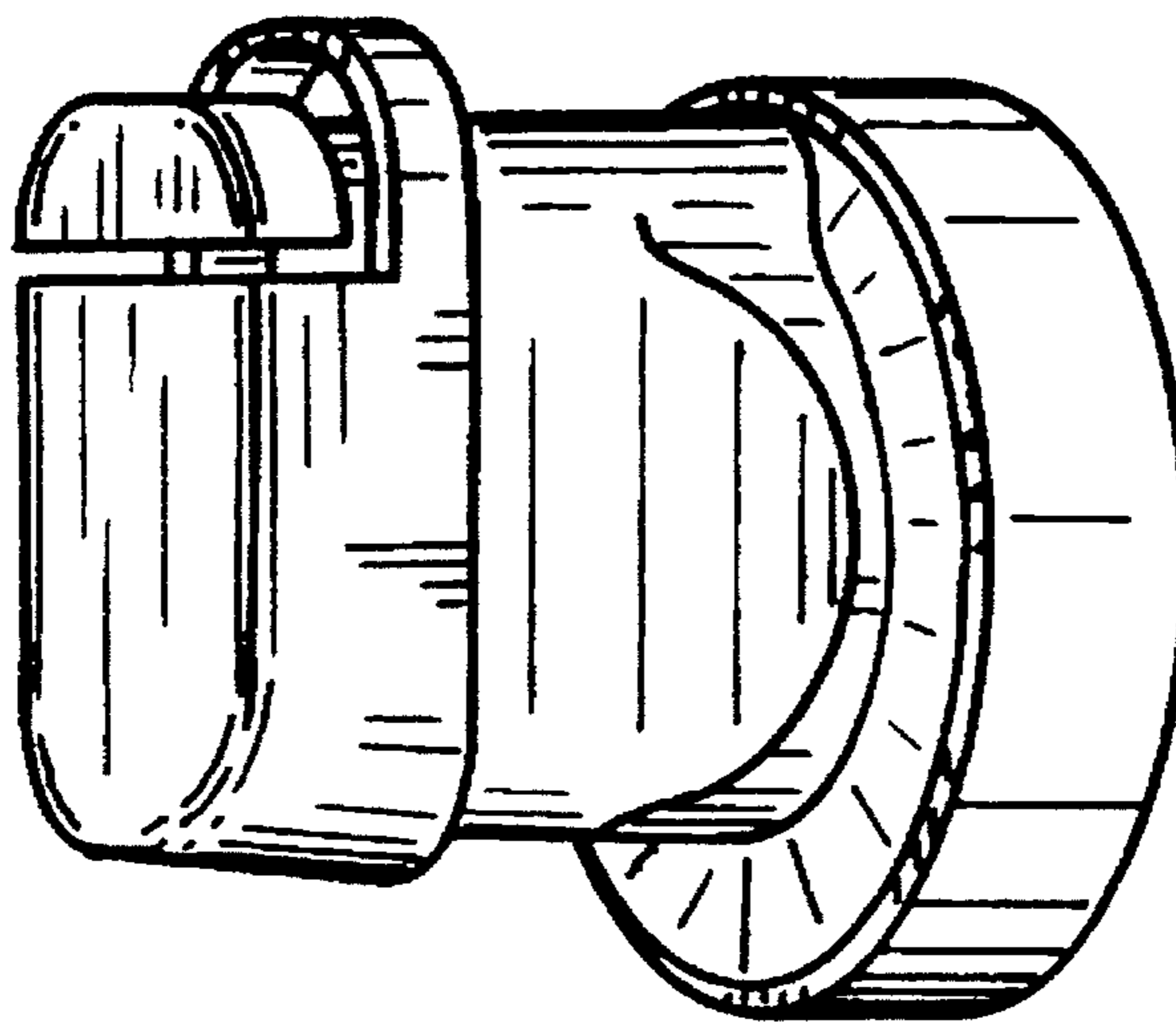
### [57] CLAIM

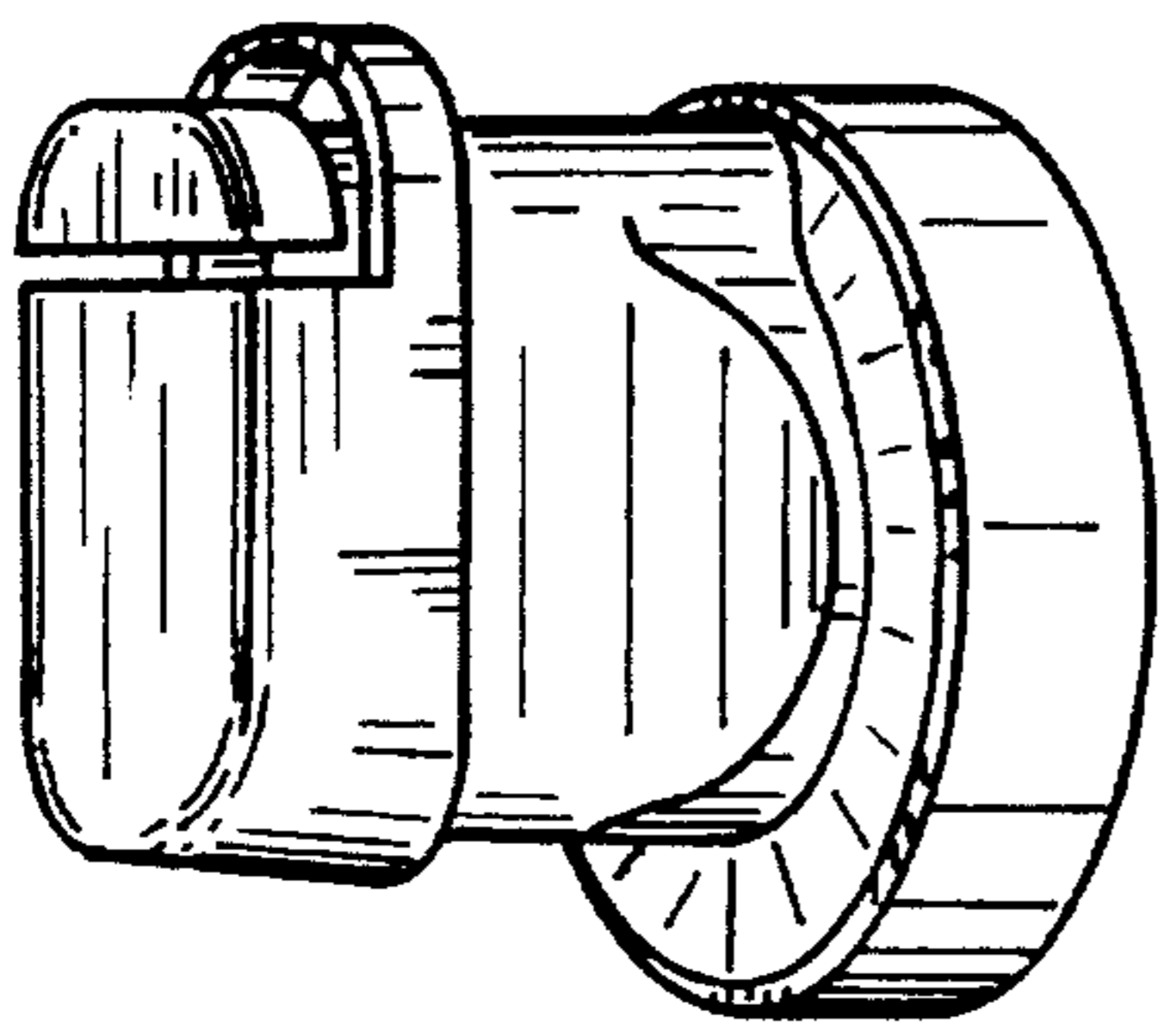
The ornamental design for a safety knob, as shown and described.

### DESCRIPTION

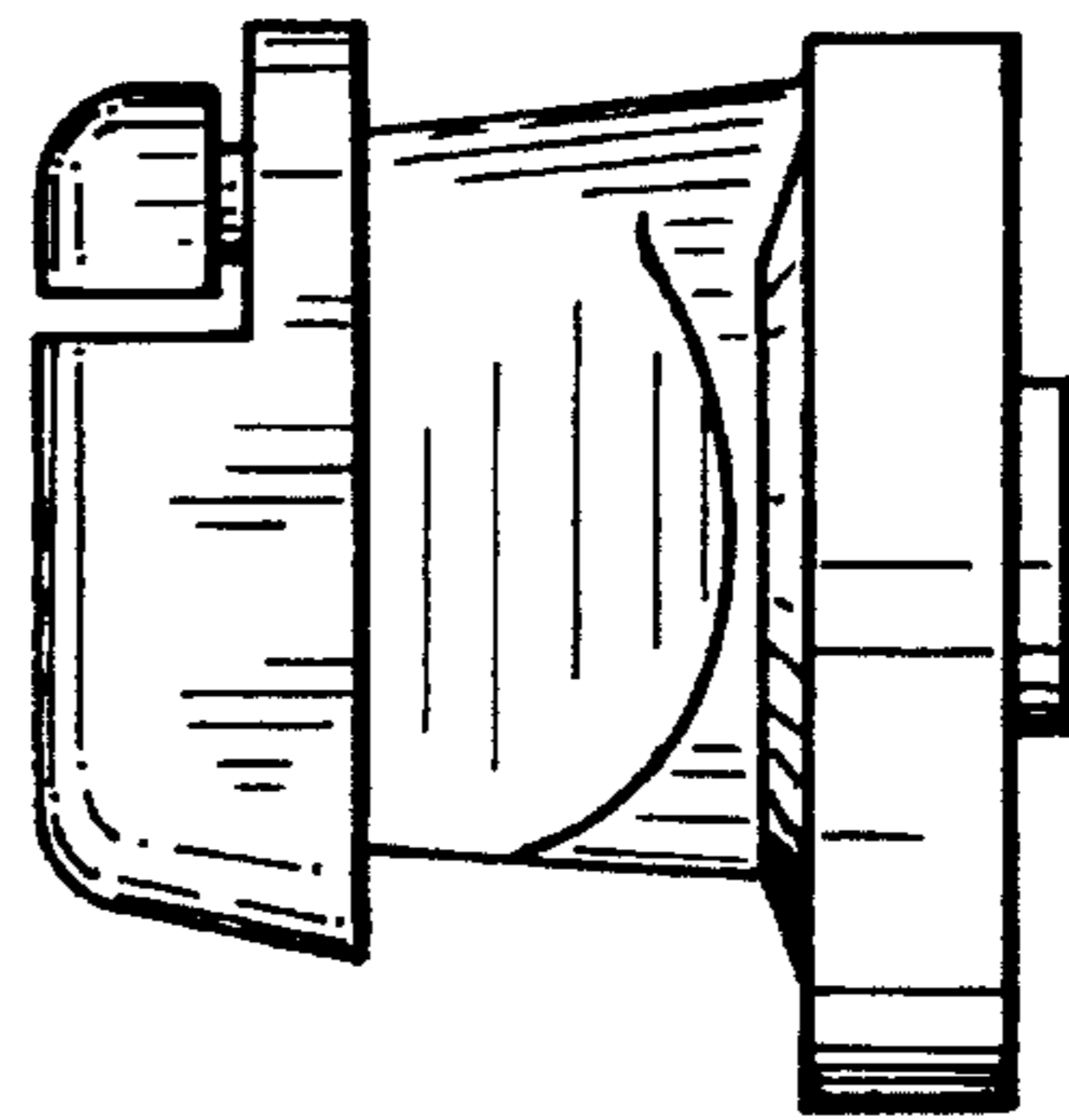
FIG. 1 is a perspective view of a safety knob showing our new design;  
FIG. 2 is a side view thereof, the opposite side being a mirror image thereof;  
FIG. 3 is a front elevational view thereof;  
FIG. 4 is a rear elevational view thereof;  
FIG. 5 is a top plan view thereof; and,  
FIG. 6 is a bottom plan view thereof.

**1 Claim, 1 Drawing Sheet**

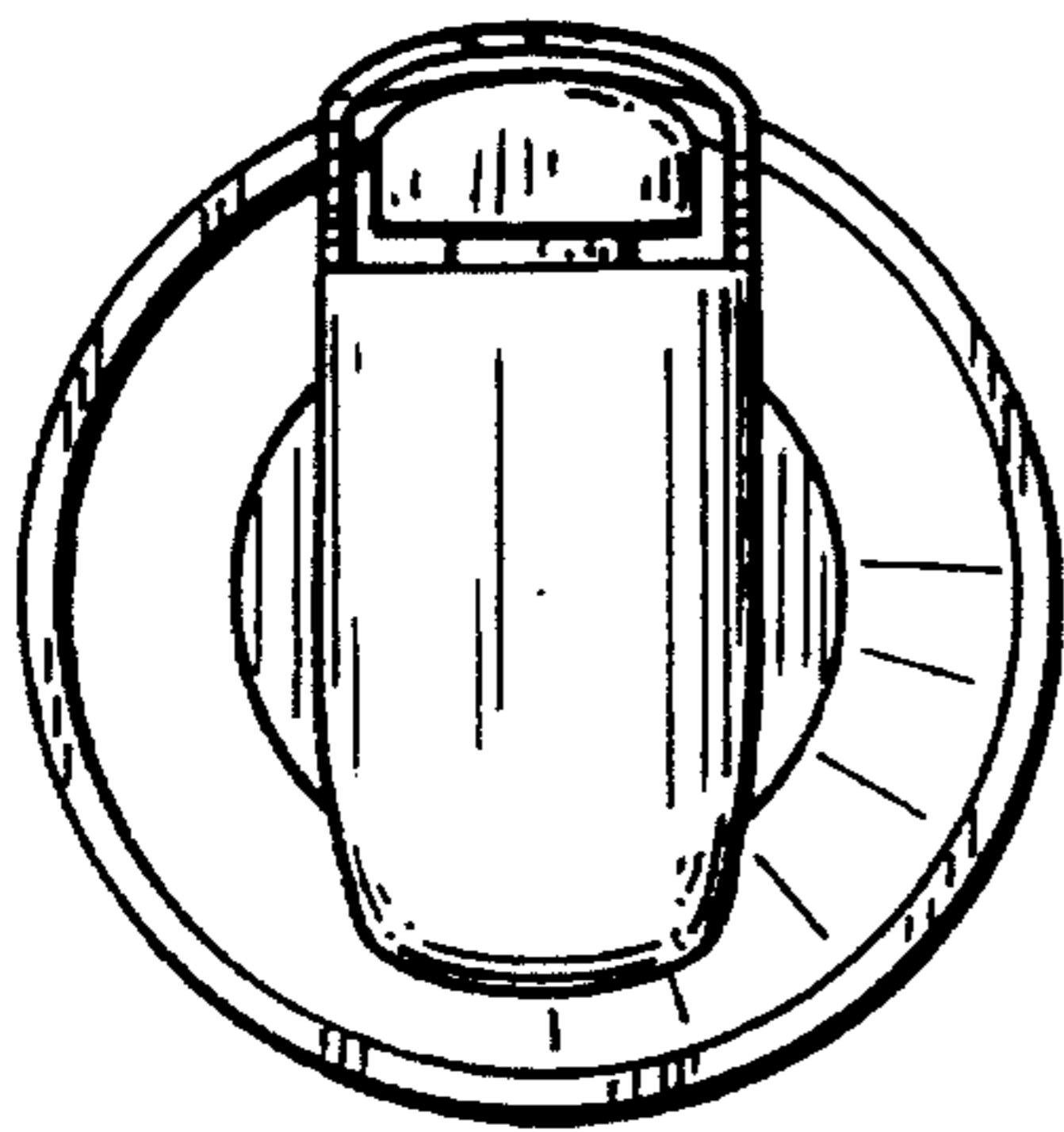




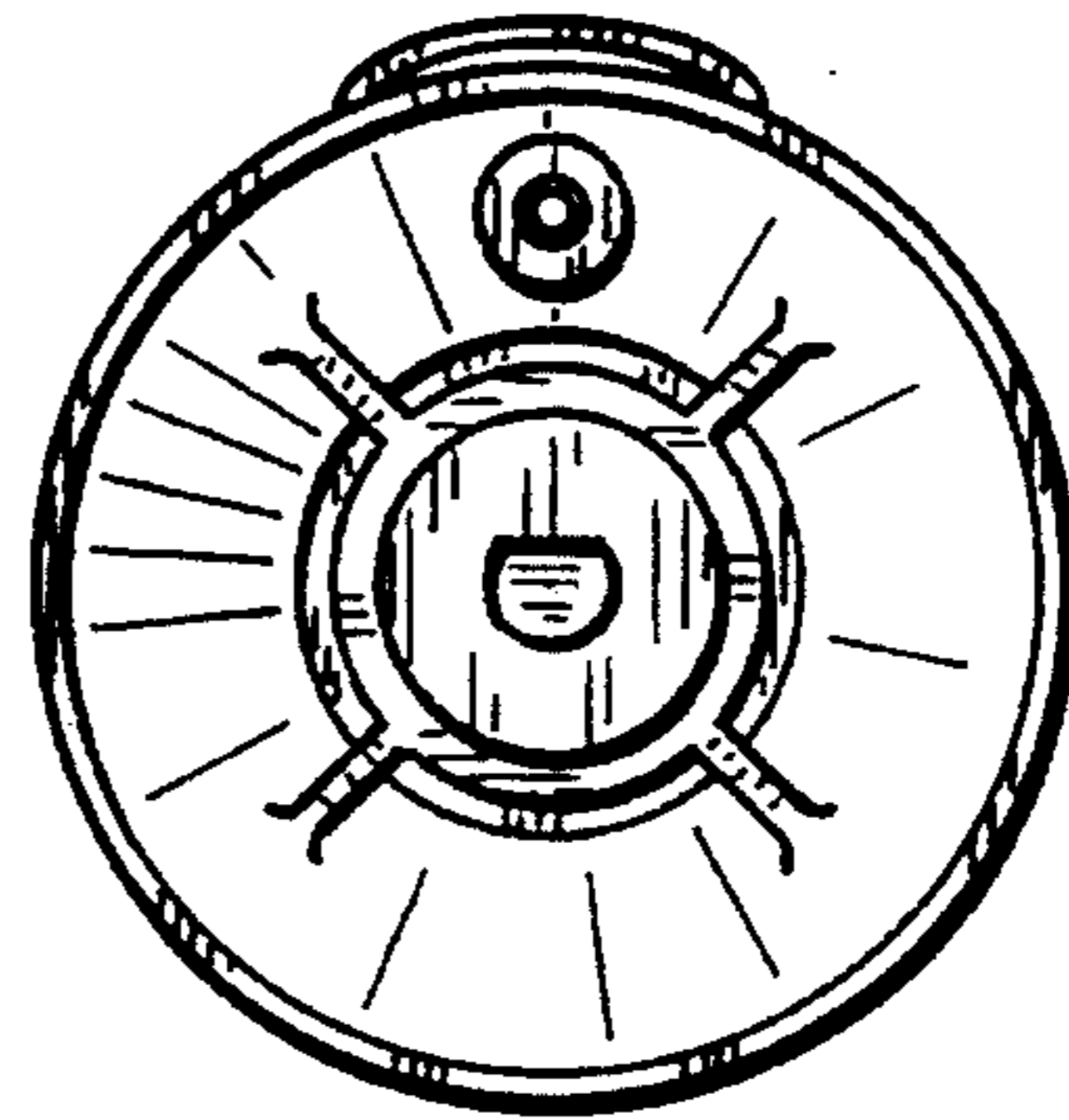
**FIG. 1**



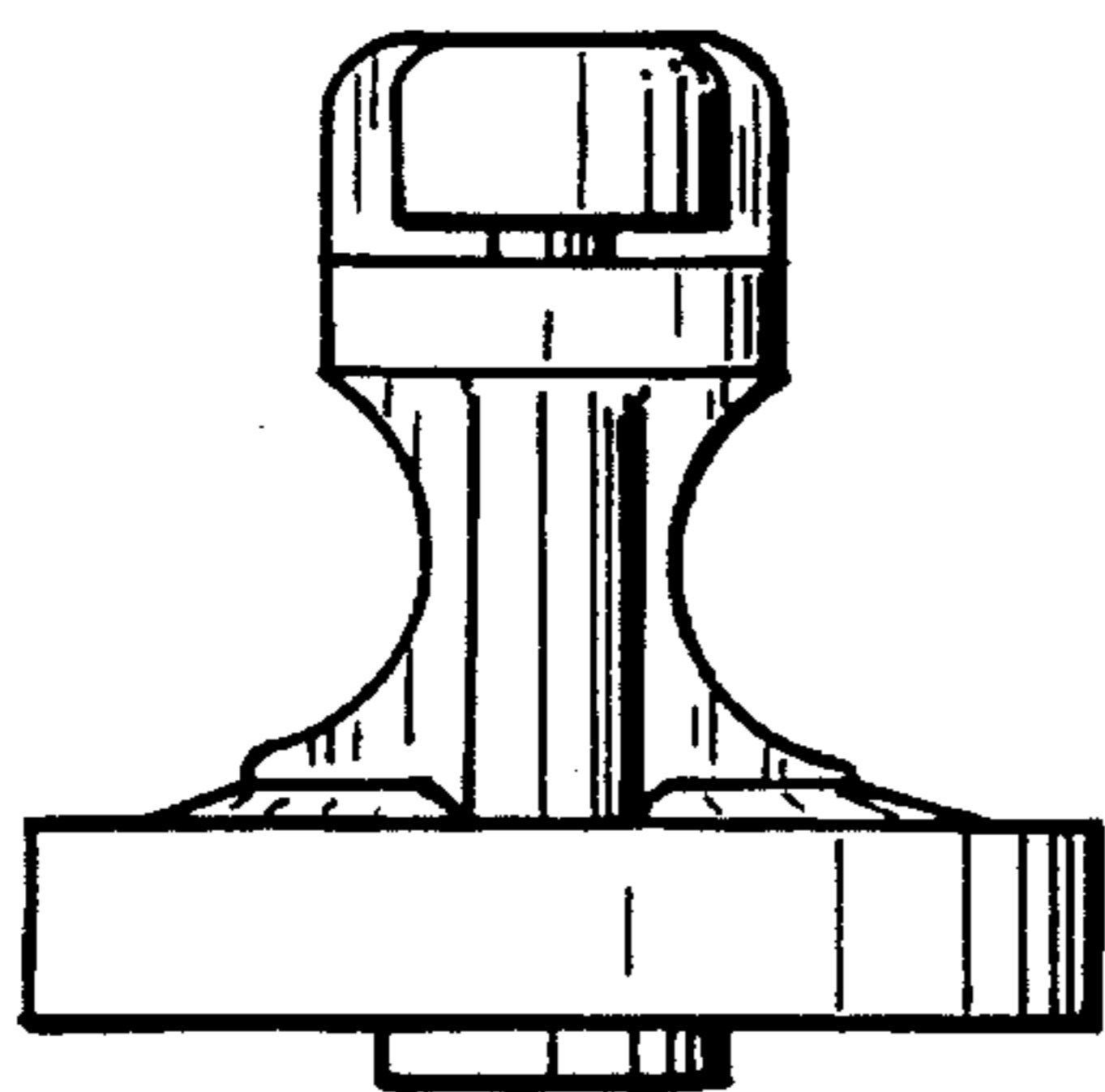
**FIG. 2**



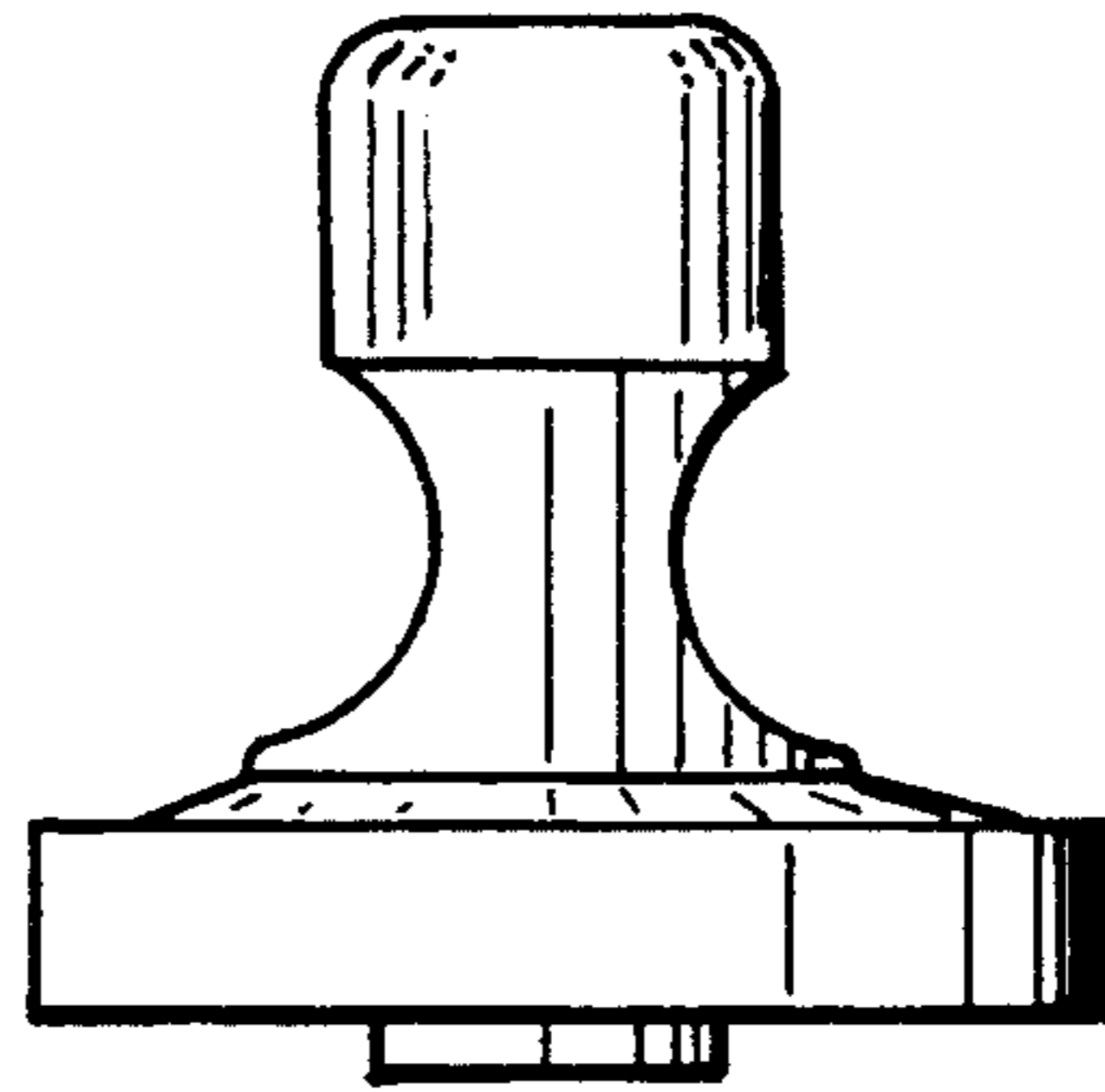
**FIG. 3**



**FIG. 4**



**FIG. 5**



**FIG. 6**