



US00D378044S

United States Patent [19]

[11] Patent Number: **Des. 378,044**

Benjamin

[45] Date of Patent: ****Feb. 18, 1997**

[54] **BLADE OF A ROOF STRIPPING SPADE**

4,809,436 3/1989 Crookston 30/171

[76] Inventor: **Julien P. Benjamin**, P.O. Box 24133,
Jacksonville, Fla. 32241

FOREIGN PATENT DOCUMENTS

72686 3/1915 Switzerland 294/51

[**] Term: **14 Years**

Primary Examiner—Holly H. Baynham
Attorney, Agent, or Firm—Steven R. Scott

[21] Appl. No.: **30,194**

[57] CLAIM

[22] Filed: **Oct. 24, 1994**

The ornamental design for the blade of a roof stripping spade, as shown and described.

Related U.S. Application Data

DESCRIPTION

[63] Continuation of Ser. No. 108,468, Aug. 18, 1993, abandoned.

[52] **U.S. Cl.** **D8/88**

[58] **Field of Search** D8/10, 1, 16, 14,
D8/19, 88-89; 81/45; 294/49, 51; 30/171-172

FIG. 1 is a side view of the blade of a roof stripping spade with the opposite side being a mirror image thereof; FIG. 2 is an enlarged side elevational view thereof; FIG. 3 is a bottom view thereof; FIG. 4 is a front elevational view thereof; FIG. 5 is a rear elevational view thereof; FIG. 6 is a fragmented sectional view of the fulcrum thereof taken along line 6—6 of FIG. 2; and, FIG. 7 is a fragmented sectional view of the fulcrum thereof taken along line 7—7 of FIG. 3.

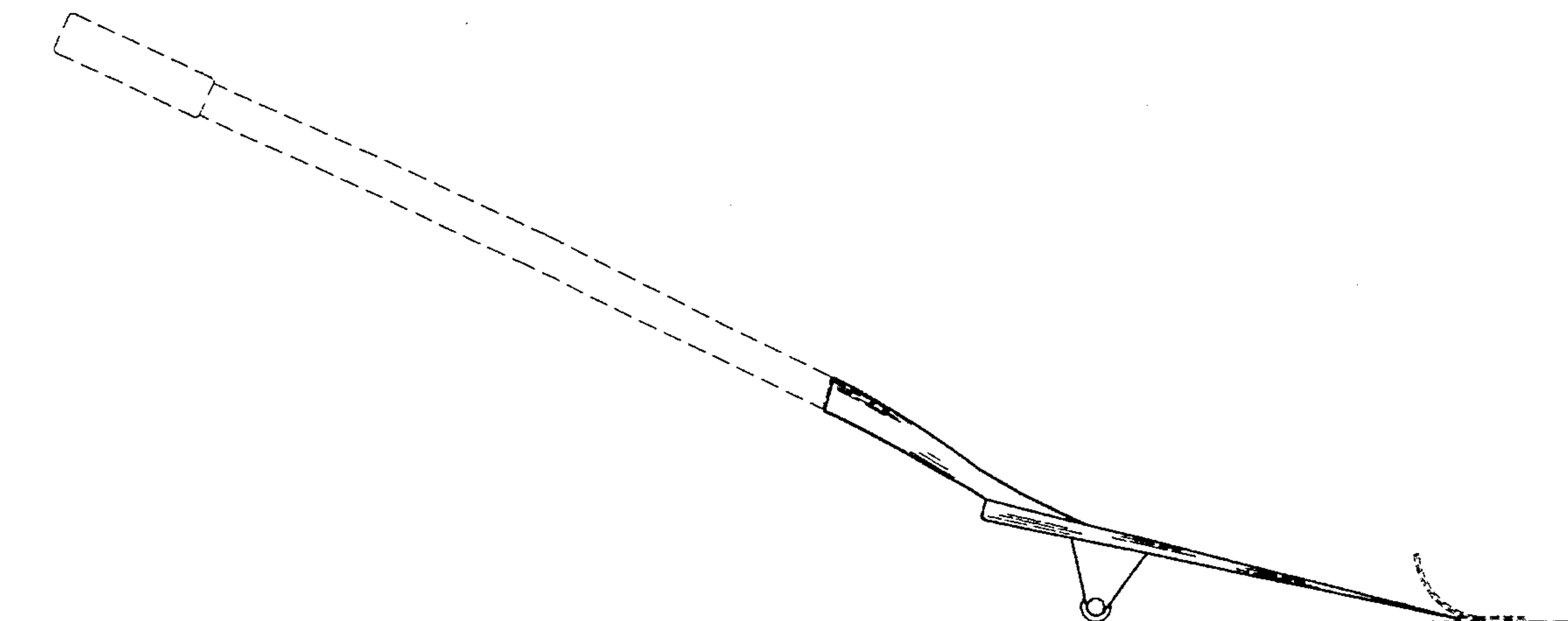
[56] References Cited

U.S. PATENT DOCUMENTS

| | | | | |
|------------|---------|--------------|-------|----------|
| D. 277,359 | 1/1985 | Schiller | | D8/88 X |
| D. 356,482 | 3/1995 | Jensen, Jr. | | D8/88 |
| 2,919,153 | 12/1959 | Benton | | 294/51 |
| 4,086,699 | 5/1978 | Olkola | | 294/49 X |
| 4,203,210 | 5/1980 | Hadlick, Jr. | | 294/49 X |
| 4,466,188 | 8/1984 | Svendsgaard | | 294/49 X |
| 4,477,972 | 10/1984 | Testa, Jr. | | 294/49 X |

The broken line showing of a handle, scraper and a surface is for illustrative purposes only and forms no part of the claimed design.

1 Claim, 4 Drawing Sheets



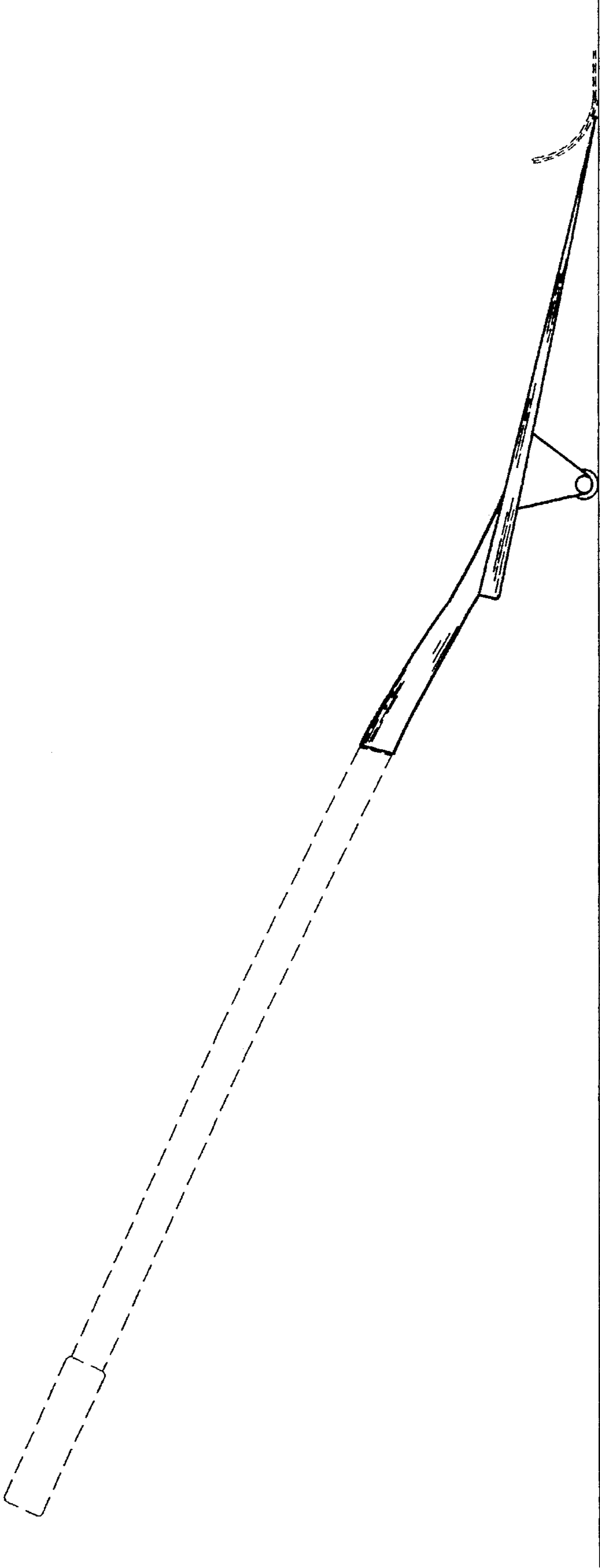


Fig. 1

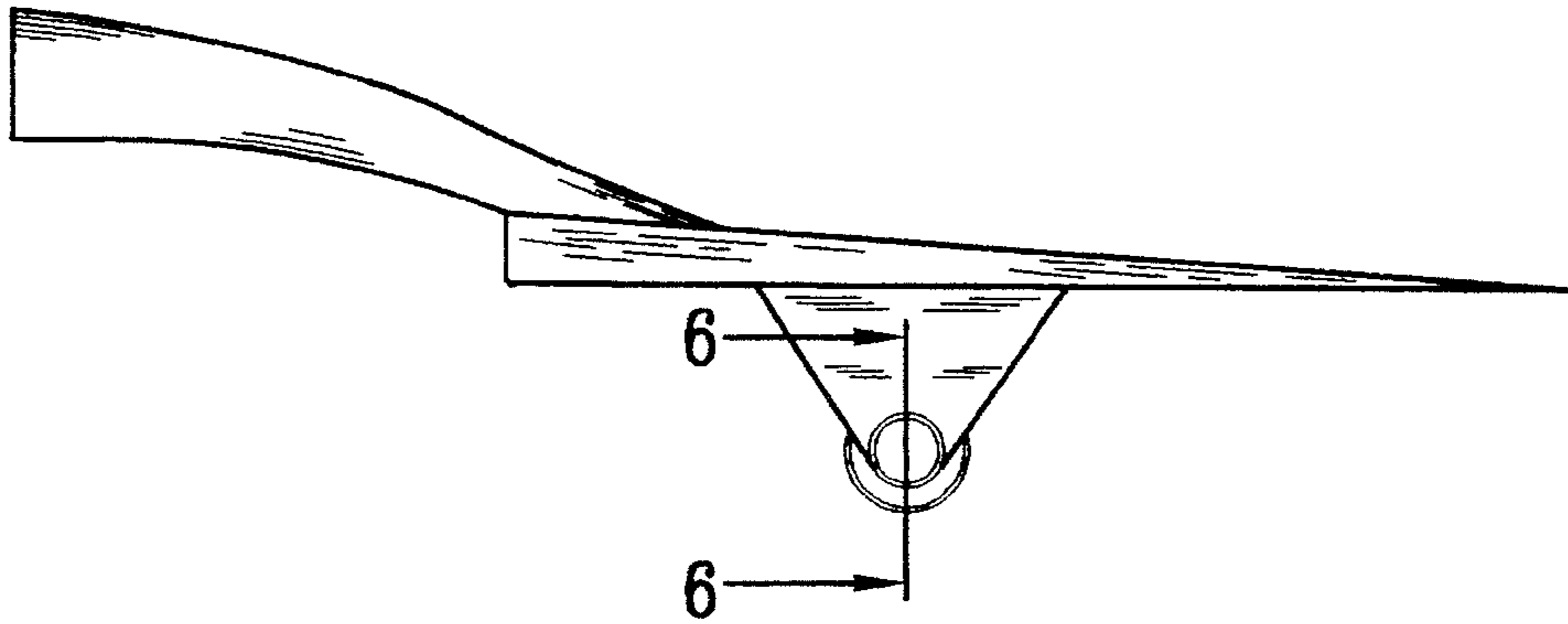


Fig. 2

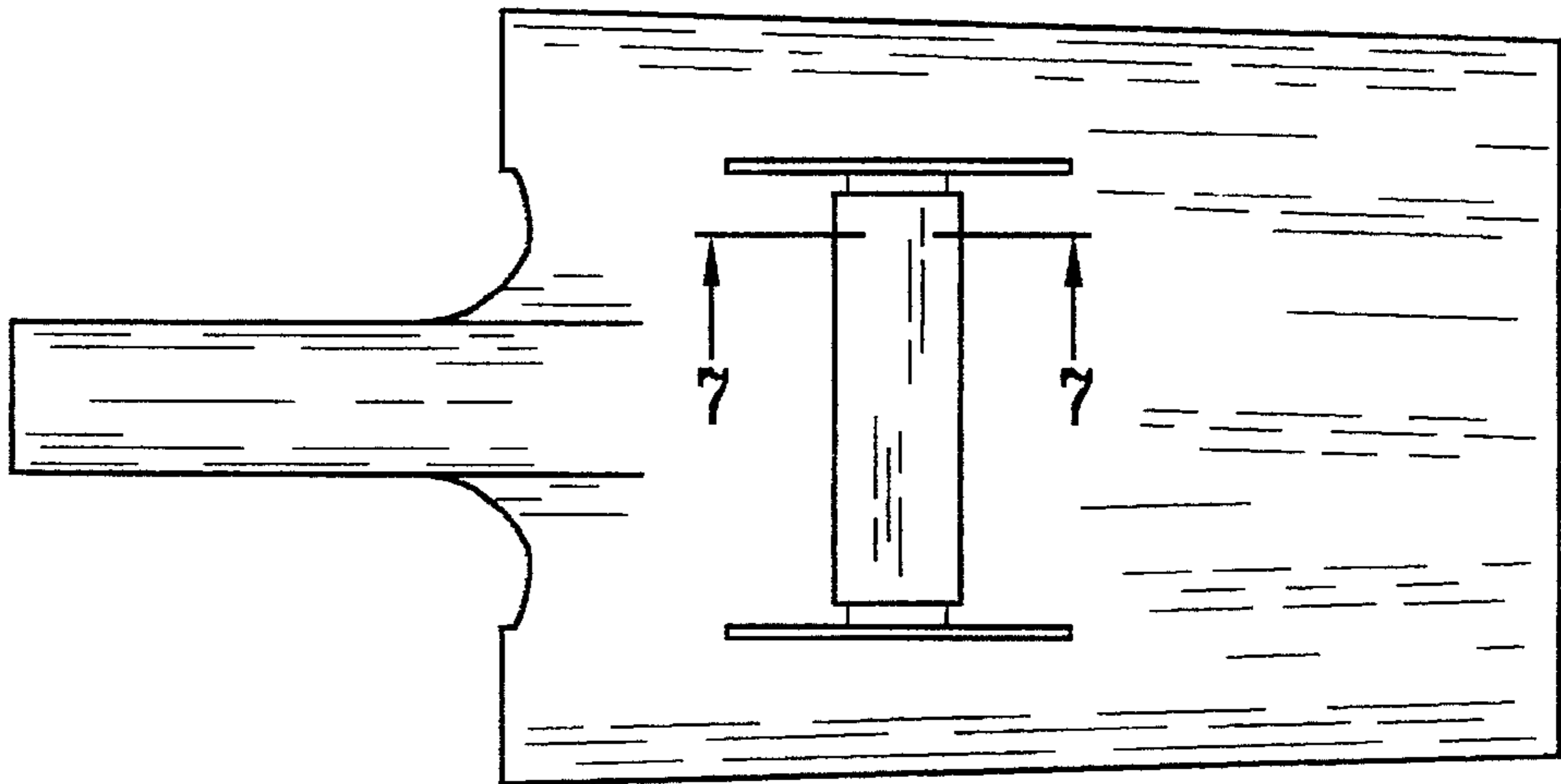


Fig. 3

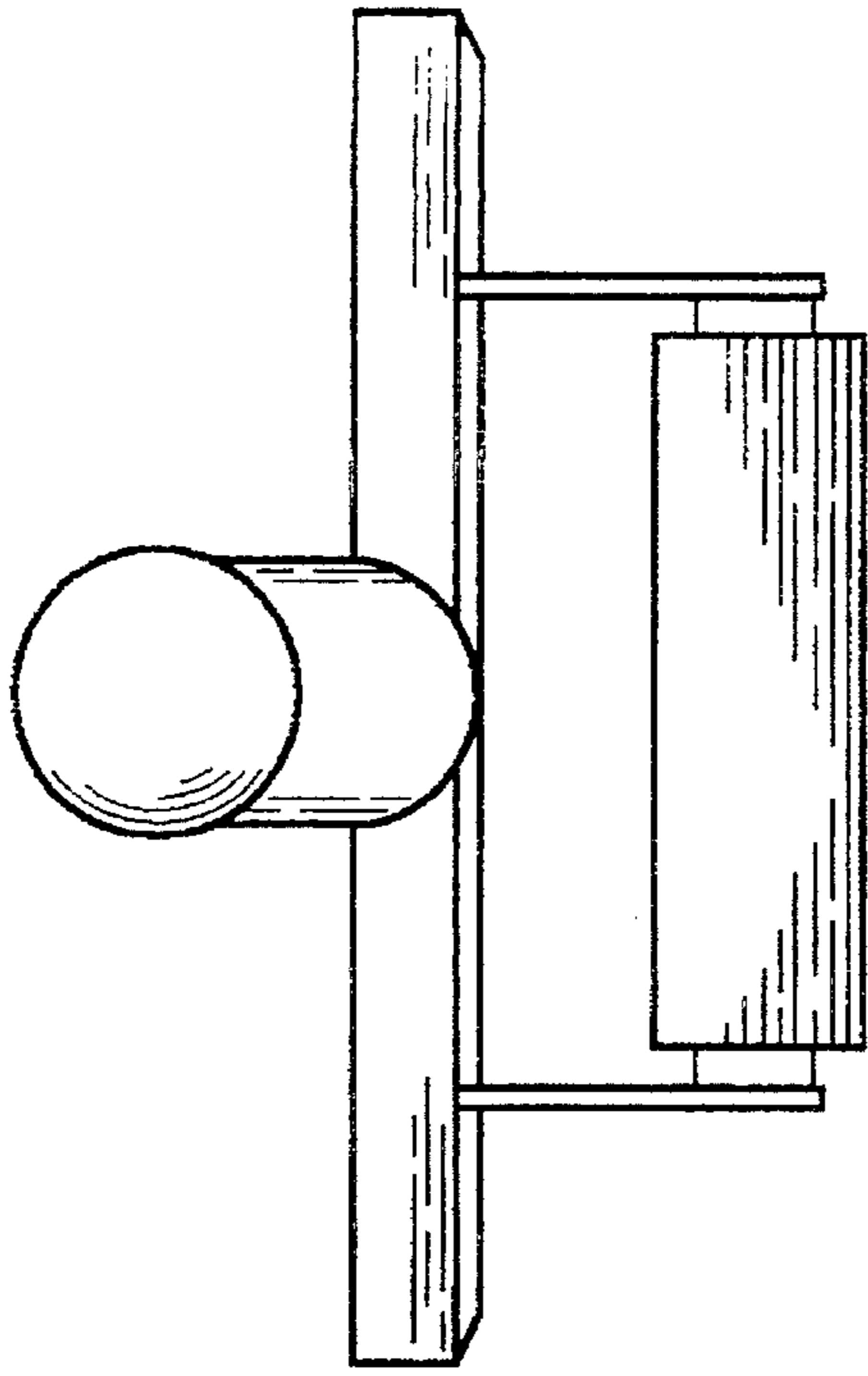


Fig. 5

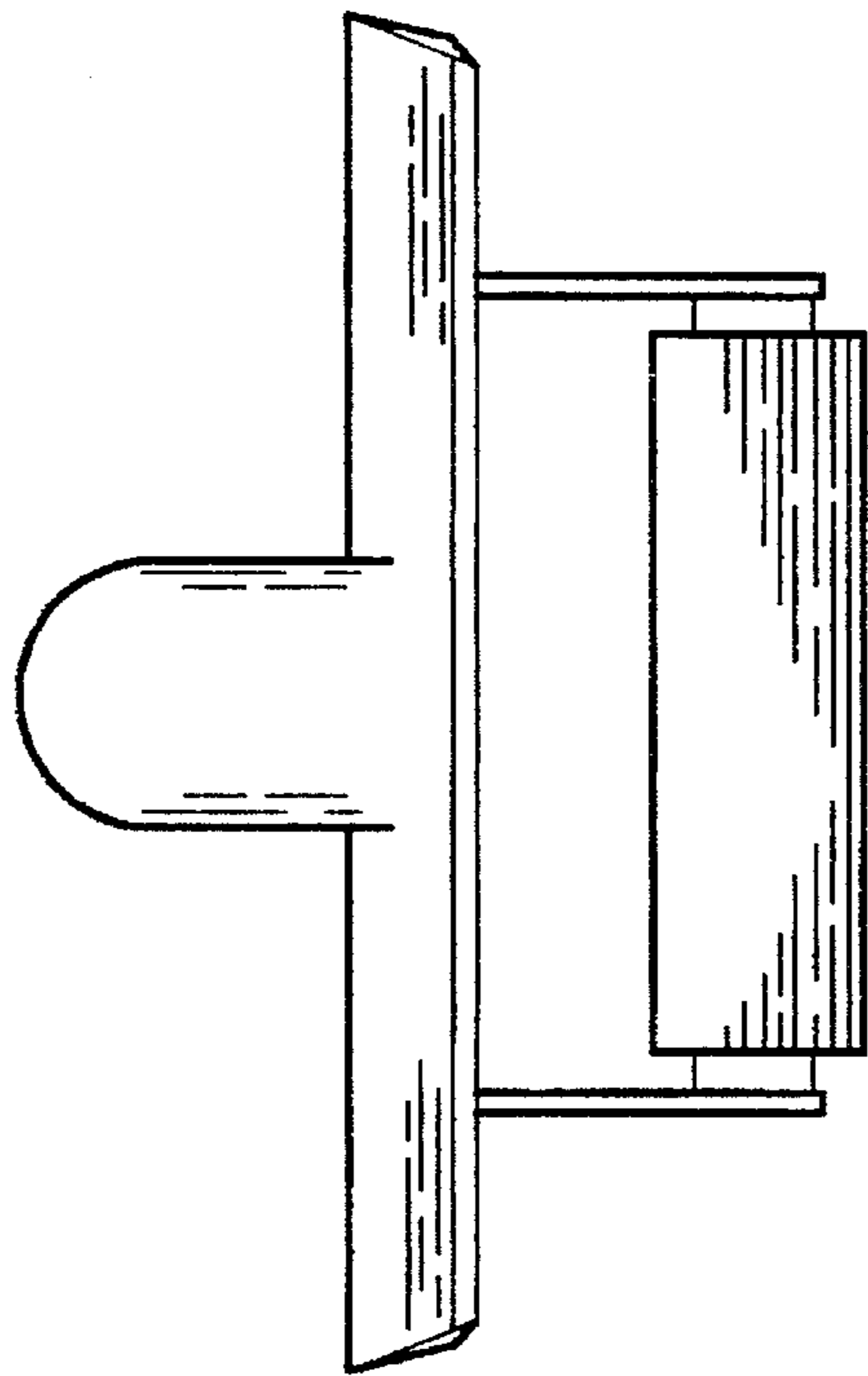


Fig. 4

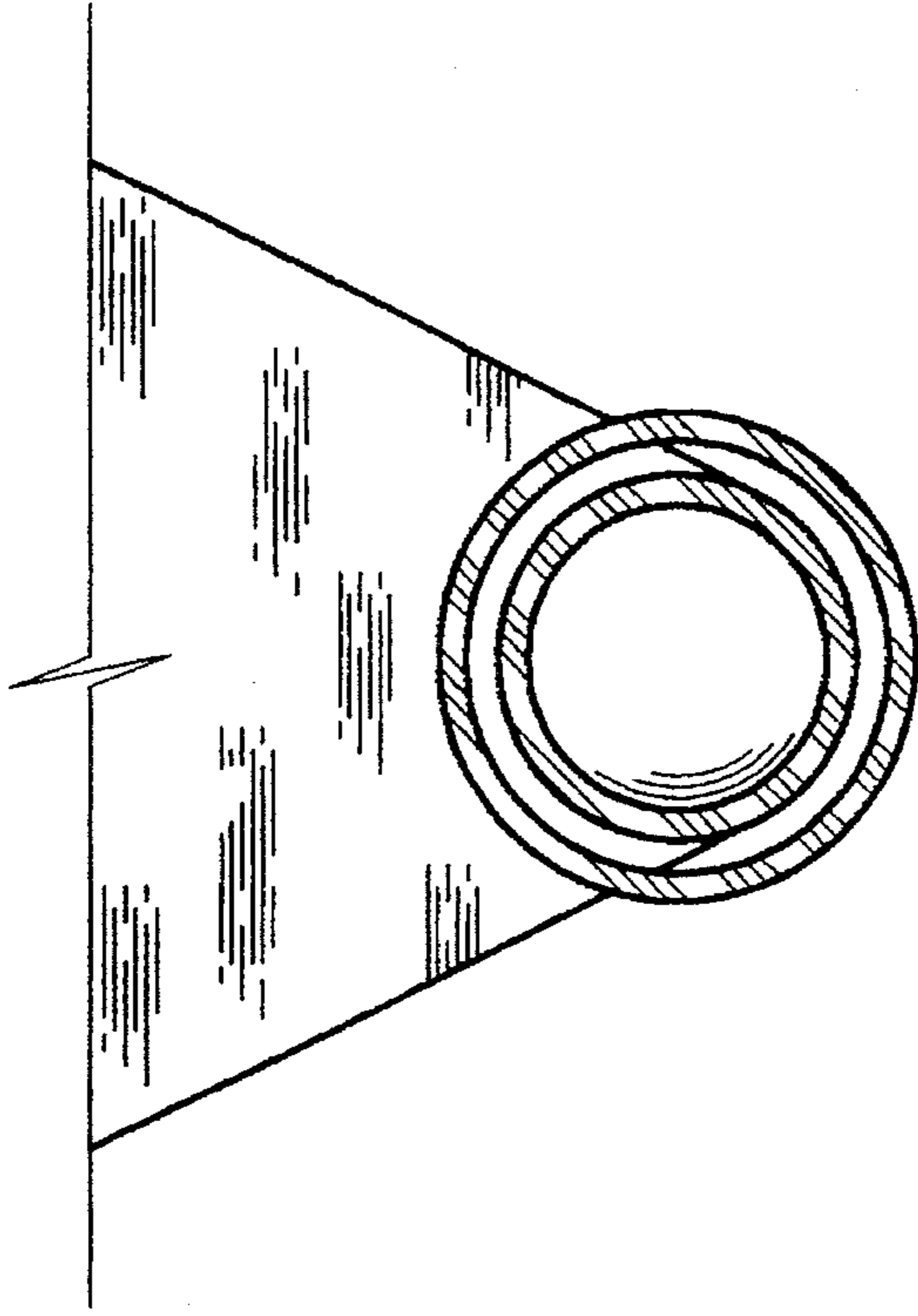


Fig. 7

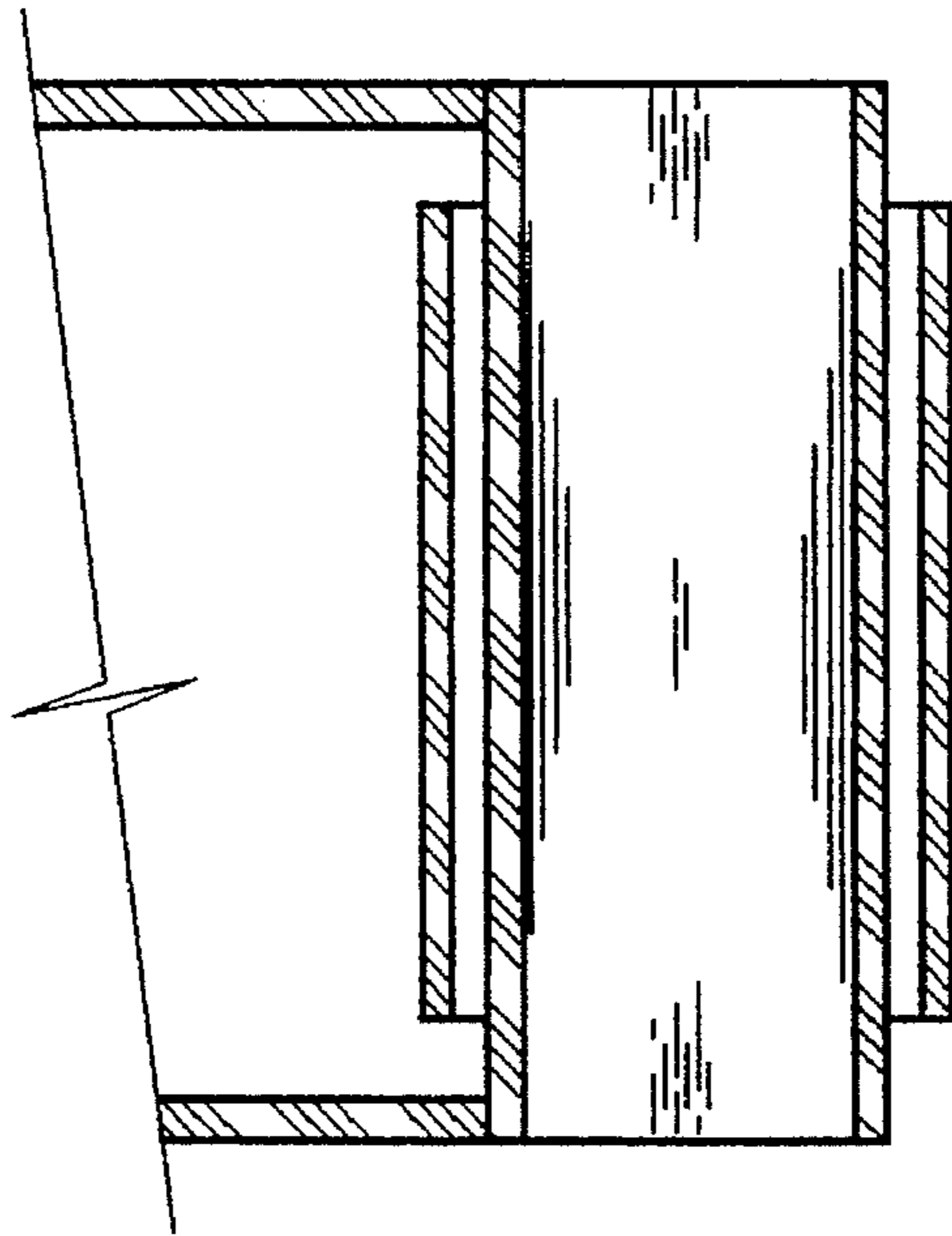


Fig. 6