



US00D378043S

United States Patent [19]
Ogura

[11] **Patent Number: Des. 378,043**

[45] **Date of Patent: **Feb. 18, 1997**

[54] **SCISSORS**

618585 2/1984 Japan .
619137 2/1984 Japan .

[75] Inventor: **Motoshi Ogura**, Gifu-ken, Japan

[73] Assignee: **Kai R & D Center Co., Ltd.**, Seki, Japan

[**] Term: **14 Years**

Primary Examiner—Ted Shooman
Assistant Examiner—Adir Aronovich
Attorney, Agent, or Firm—Stetina Brunda & Buyan

[21] Appl. No.: **41,316**

[57] **CLAIM**

The ornamental design for scissors, as shown and described.

[22] Filed: **Jul. 11, 1995**

DESCRIPTION

[30] **Foreign Application Priority Data**

FIG. 1 is a front elevational view of scissors in an open position showing a new design;

Mar. 3, 1995 [JP] Japan 7-5788

FIG. 2 is a front elevational view thereof when the scissors are in a closed position;

[52] **U.S. Cl.** **D8/57**

FIG. 3 is a rear elevational view thereof;

[58] **Field of Search** D8/57, 98; 7/125, 7/132-135, 151; 30/252-255, 232, 233

FIG. 4 is a plan view thereof, as seen from the top of FIG. 2;

[56] **References Cited**

FIG. 5 is a plan view thereof, as seen from the bottom of FIG. 2;

U.S. PATENT DOCUMENTS

FIG. 6 is a cross-sectional view thereof taken along the line 6-6 in FIG. 2;

D. 234,117 1/1975 Laurenti D8/57

FIG. 7 is a side view thereof, as seen from the left of FIG. 2; and,

D. 245,569 8/1977 Ferguson D8/57

FIG. 8 is a side view thereof, as seen from the right of FIG. 2.

D. 249,631 9/1978 Hellmann D8/57

D. 279,760 7/1985 Asano D8/57

D. 353,087 12/1994 Ramsey et al. D8/57

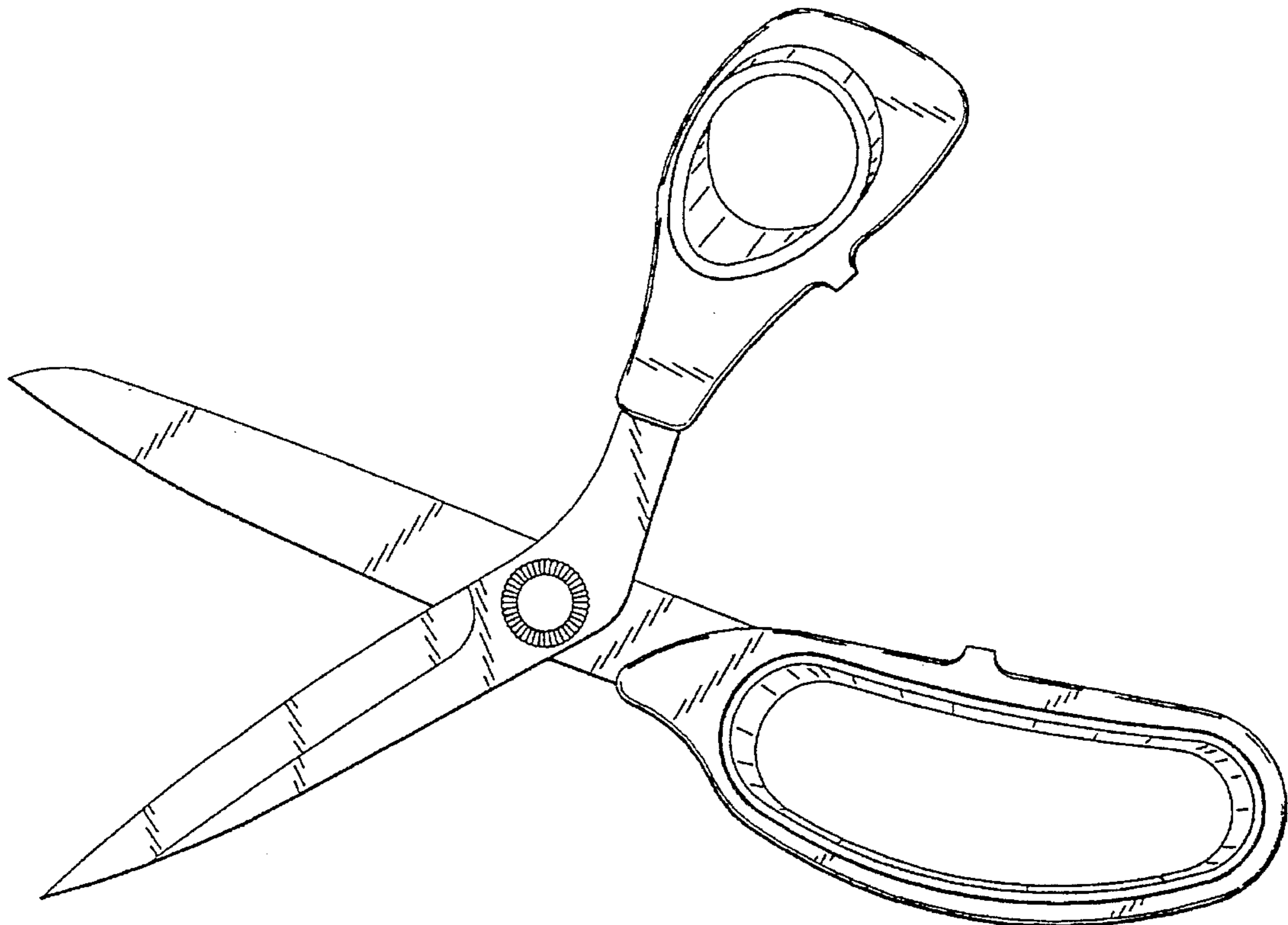
944,925 12/1909 Tippery 30/233

3,869,792 3/1975 Laurenti 30/254

FOREIGN PATENT DOCUMENTS

2400524 6/1975 Germany 30/254

1 Claim, 2 Drawing Sheets



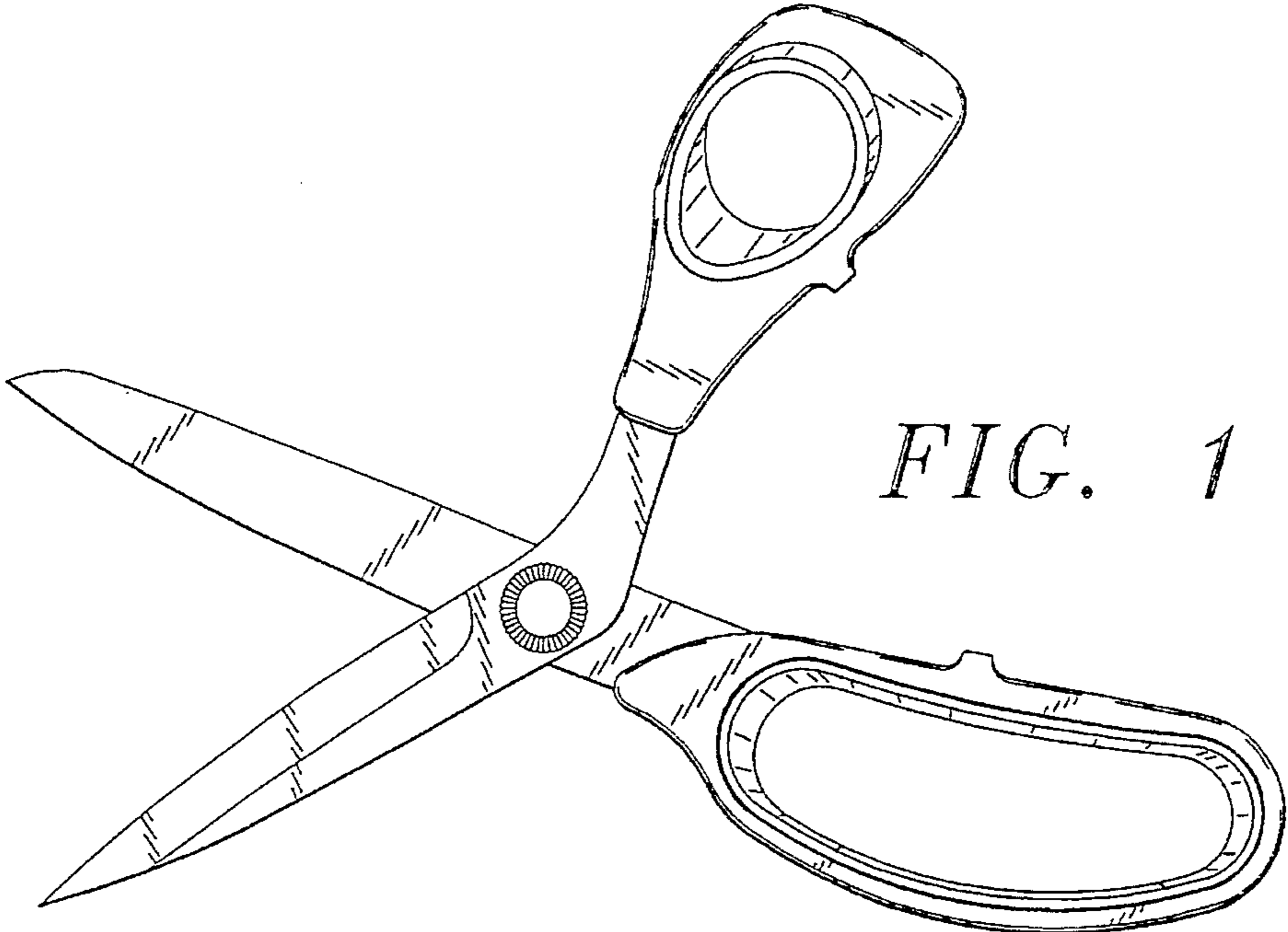


FIG. 1

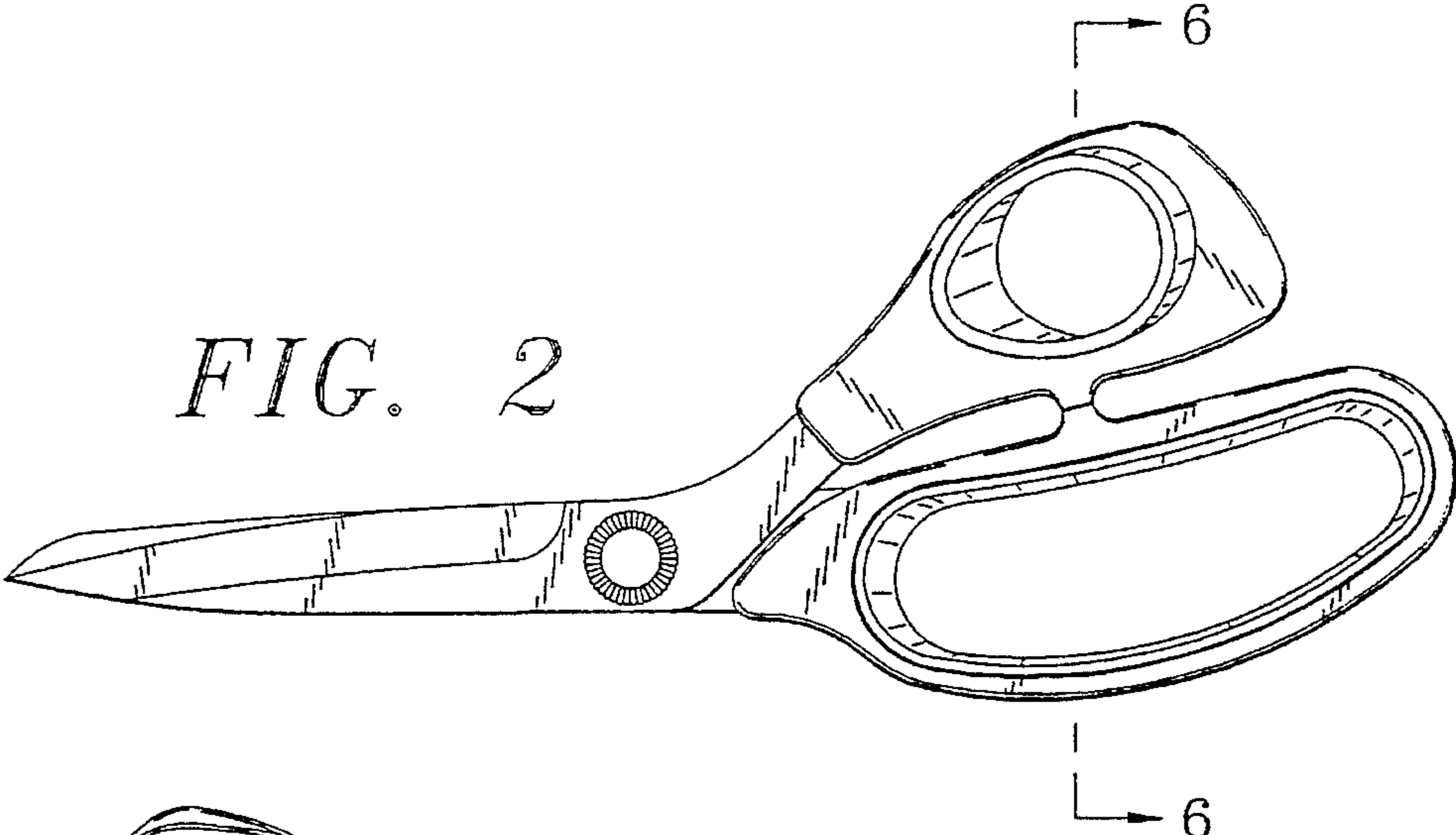


FIG. 2

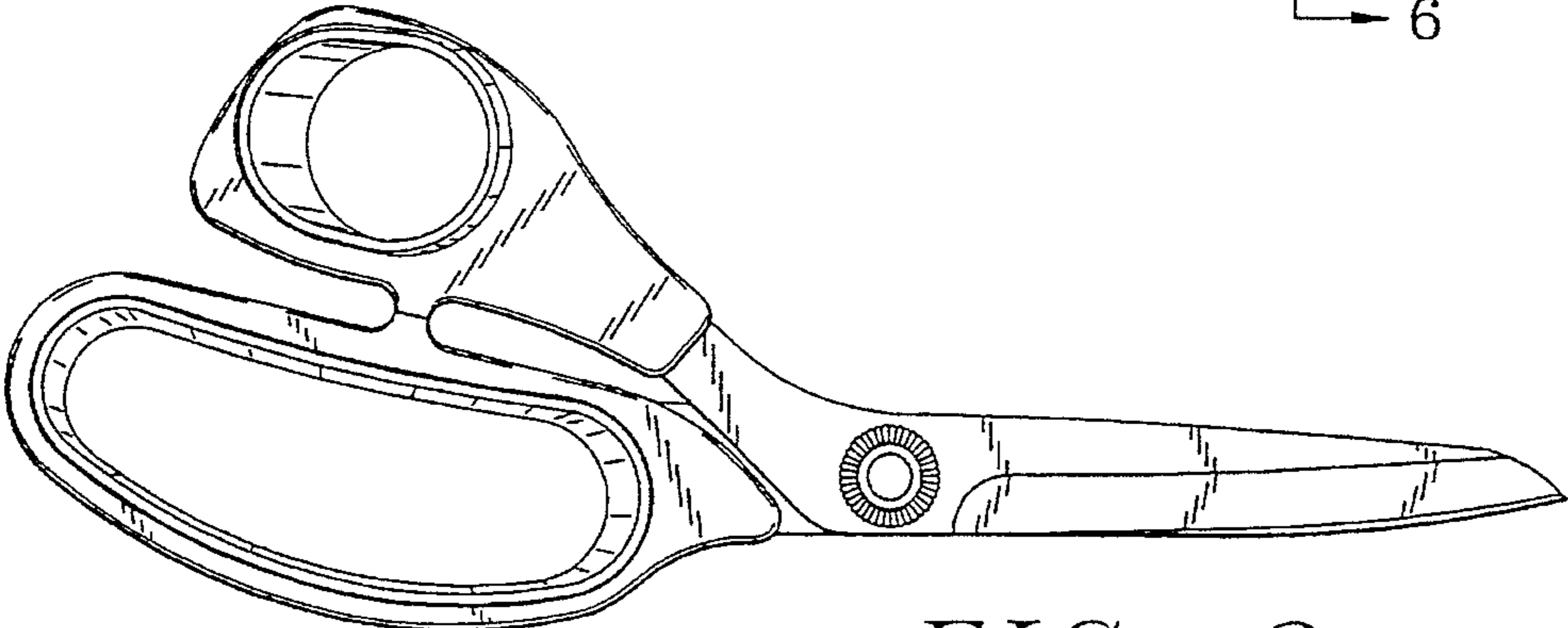


FIG. 3

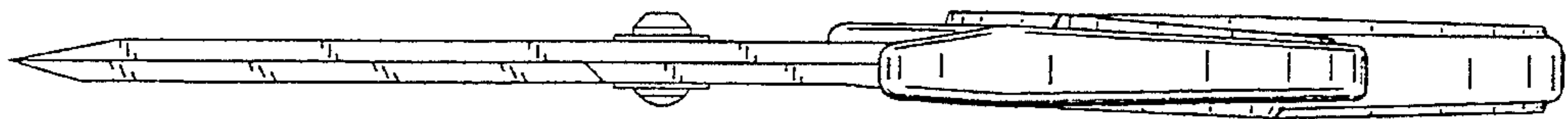


FIG. 4

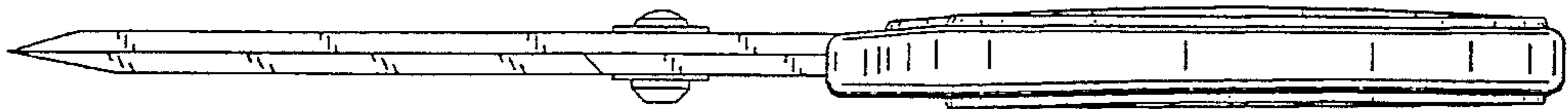


FIG. 5



FIG. 6



FIG. 7

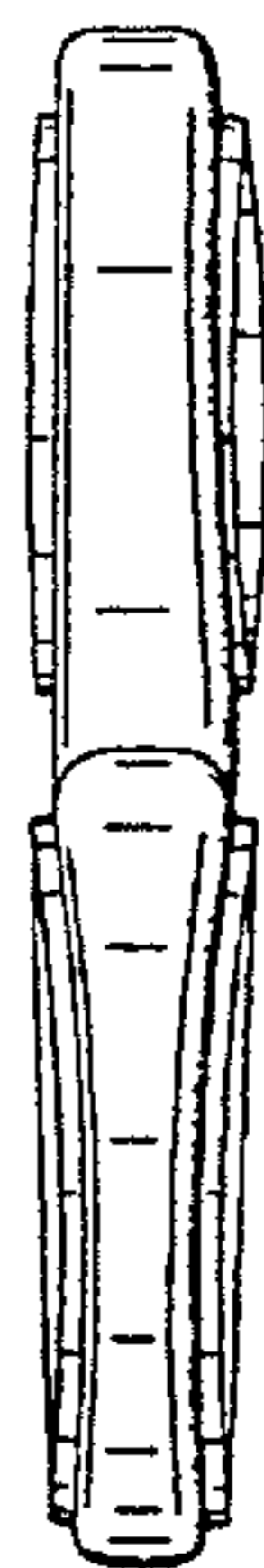


FIG. 8