



US00D378040S

United States Patent [19]

Flint et al.

[11] Patent Number: **Des. 378,040**

[45] Date of Patent: ****Feb. 18, 1997**

[54] **CUP HOLDER**

5,318,266 6/1994 Liu 248/311.2

[76] Inventors: **Clayton P. Flint**, 12712 NE. 120th St., #G4, Kirkland, Wash. 98034; **Phillip E. Hearn**, 802 Speyers Rd., Selah, Wash. 98942

Primary Examiner—Terry A. Wallace
Attorney, Agent, or Firm—Vance & Romero, P.S.

[**] Term: **14 Years**

[57] **CLAIM**

The ornamental design for a cup holder, as shown and described.

[21] Appl. No.: **45,936**

DESCRIPTION

[22] Filed: **Nov. 2, 1995**

[52] U.S. Cl. **D7/620**

[58] Field of Search D7/619-625; D6/512, D6/535; 211/71, 74; 224/42.46; 248/311.2, 312.1

FIG. 1 is a perspective view of a cup holder showing our new design;

FIG. 2 is a top plan view thereof;

FIG. 3 is a left side elevation view thereof;

FIG. 4 is a rear elevation view thereof;

FIG. 5 is a bottom plan view thereof;

FIG. 6 is a right side elevation view thereof;

FIG. 7 is a front elevation view thereof;

FIG. 8 is a perspective view thereof in a closed position;

FIG. 9 is a top plan view of FIG. 8;

FIG. 10 is a bottom plan view of FIG. 8;

FIG. 11 is a front elevation view of FIG. 8;

FIG. 12 is a rear elevation view of FIG. 8;

FIG. 13 is a left side elevation view of FIG. 8; and,

FIG. 14 is a right side elevation view of FIG. 8.

[56] **References Cited**

U.S. PATENT DOCUMENTS

| | | | |
|------------|--------|-----------------------|-----------|
| D. 367,209 | 2/1996 | Flint et al. | D7/620 |
| 1,086,541 | 2/1914 | Lailer . | |
| 2,279,442 | 4/1942 | Burns et al. | 248/311 |
| 2,628,054 | 2/1953 | Fazakerley | 248/311 |
| 2,633,278 | 3/1953 | Muniz | 224/42.46 |
| 2,763,413 | 9/1956 | Felton | 224/42.46 |
| 4,828,211 | 5/1989 | McConnell et al. | D7/620 |
| 4,892,281 | 1/1990 | Difilippo et al. | 248/311.2 |

1 Claim, 2 Drawing Sheets

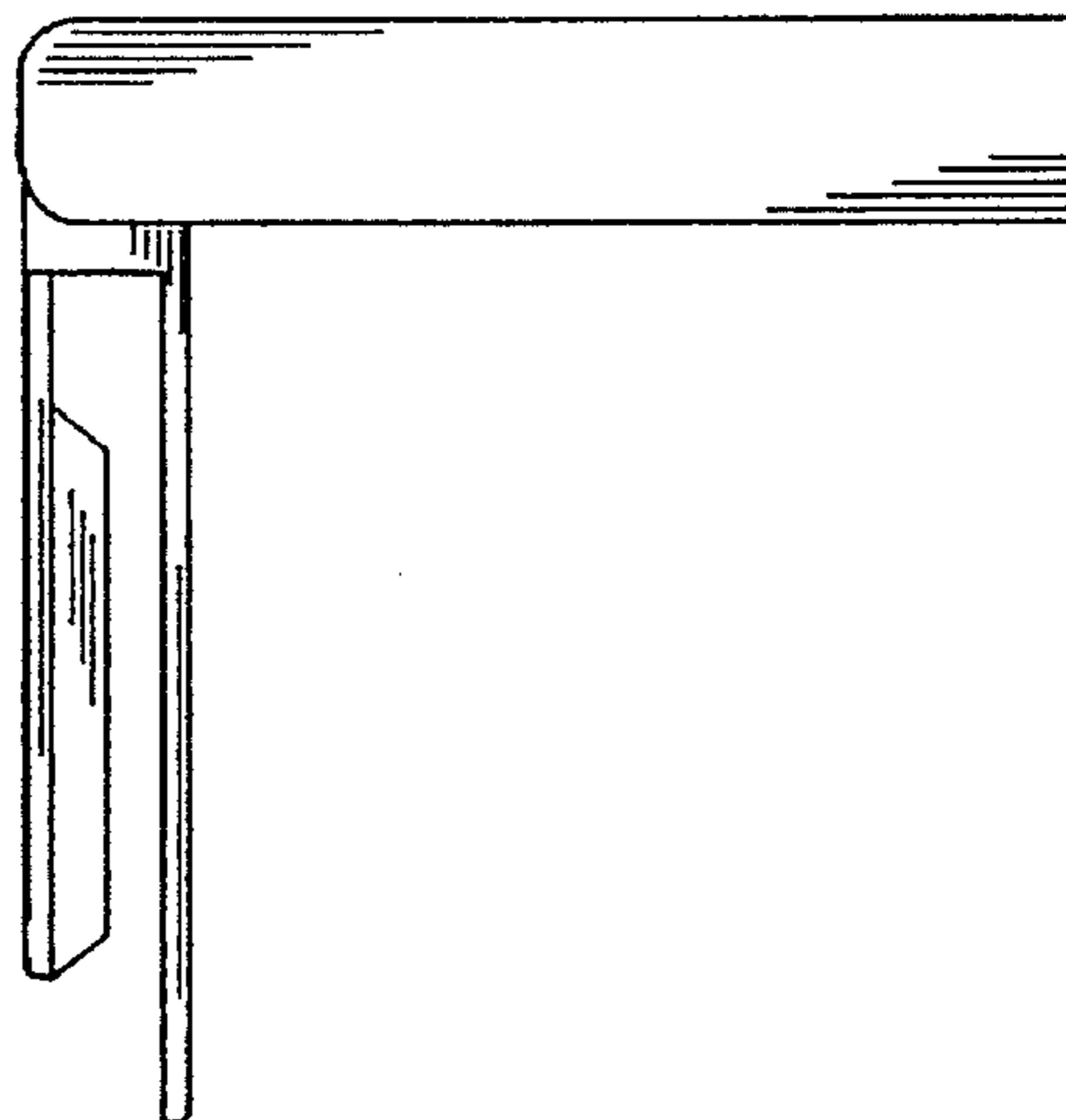
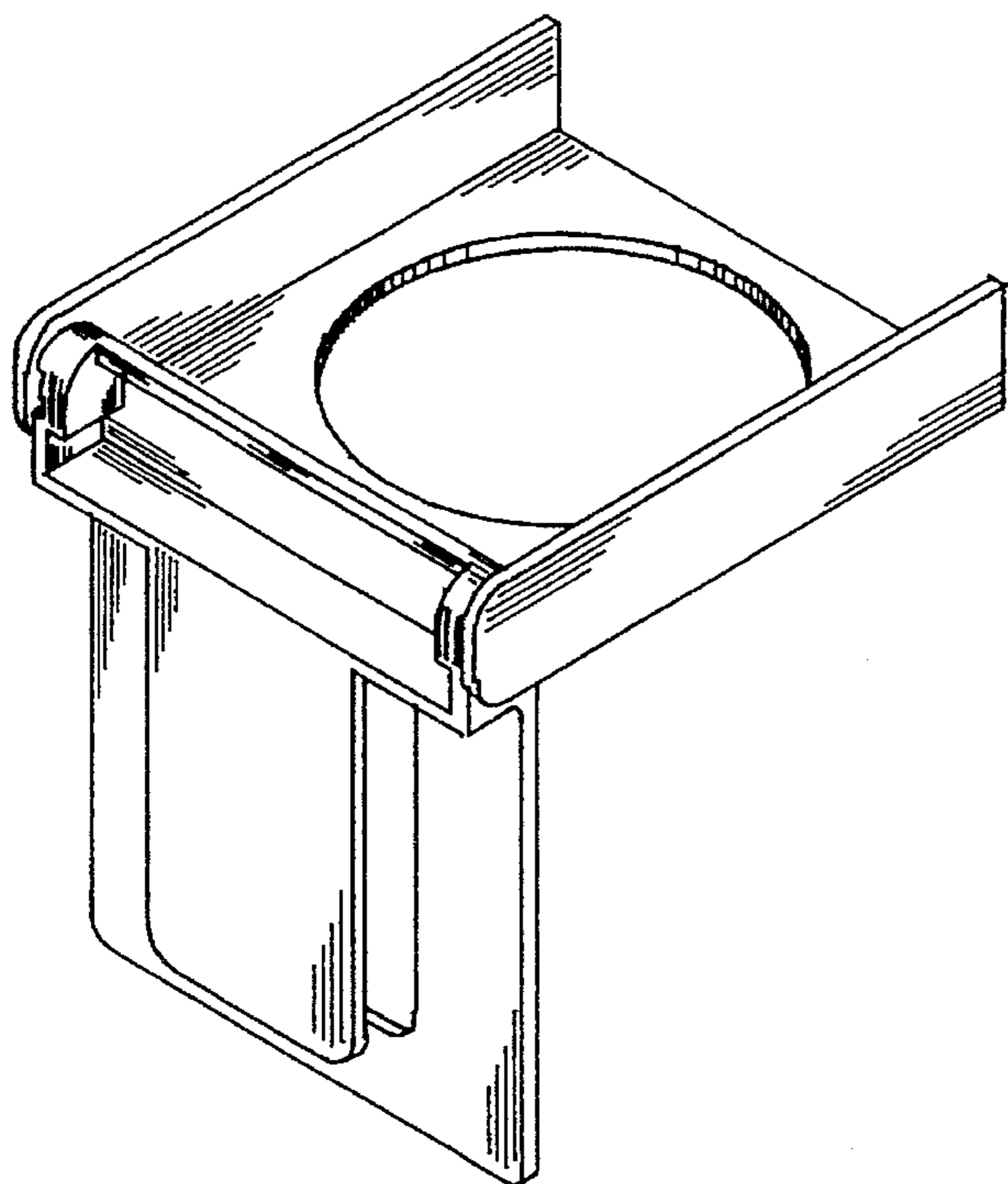


FIG. 1

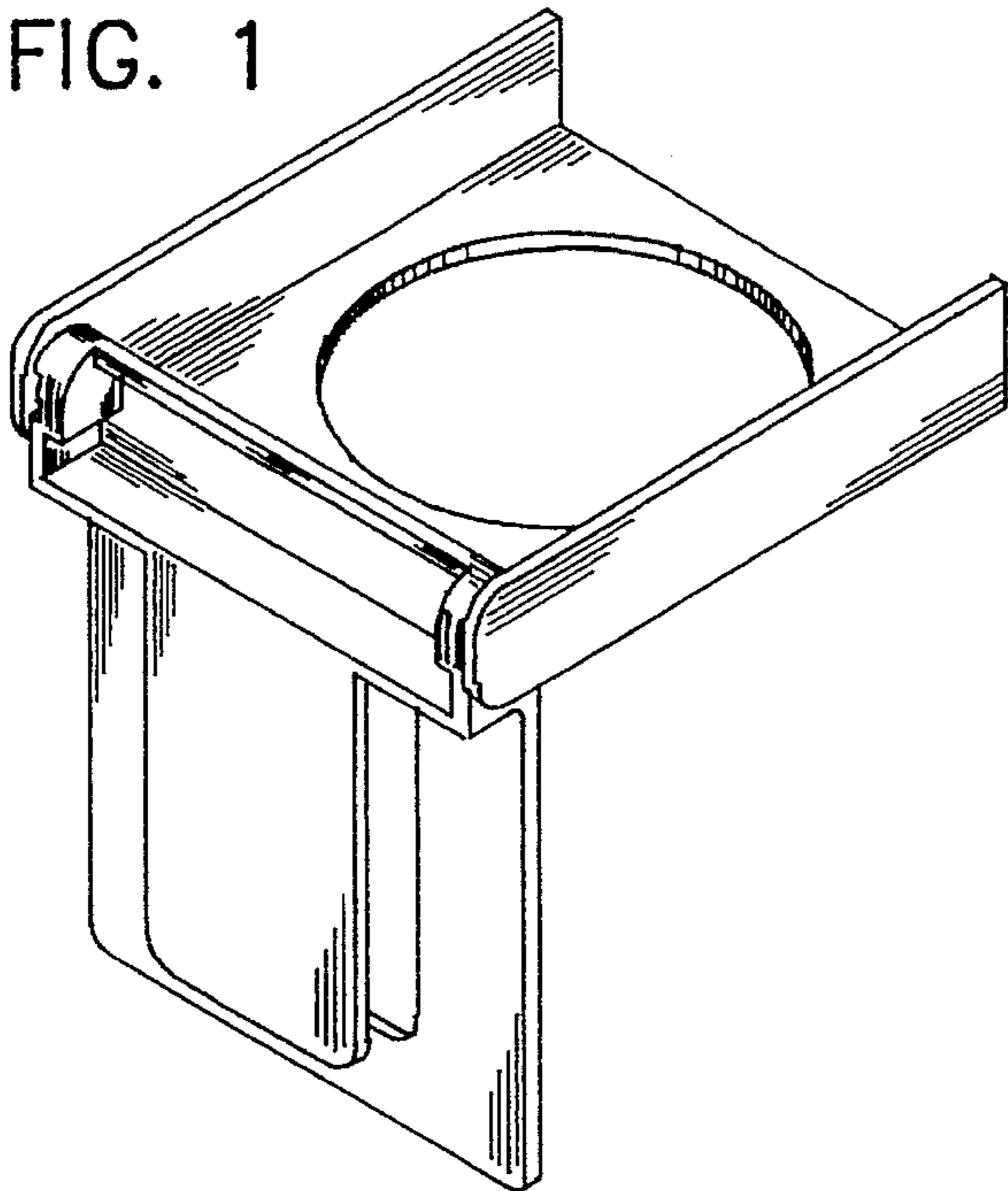


FIG. 2

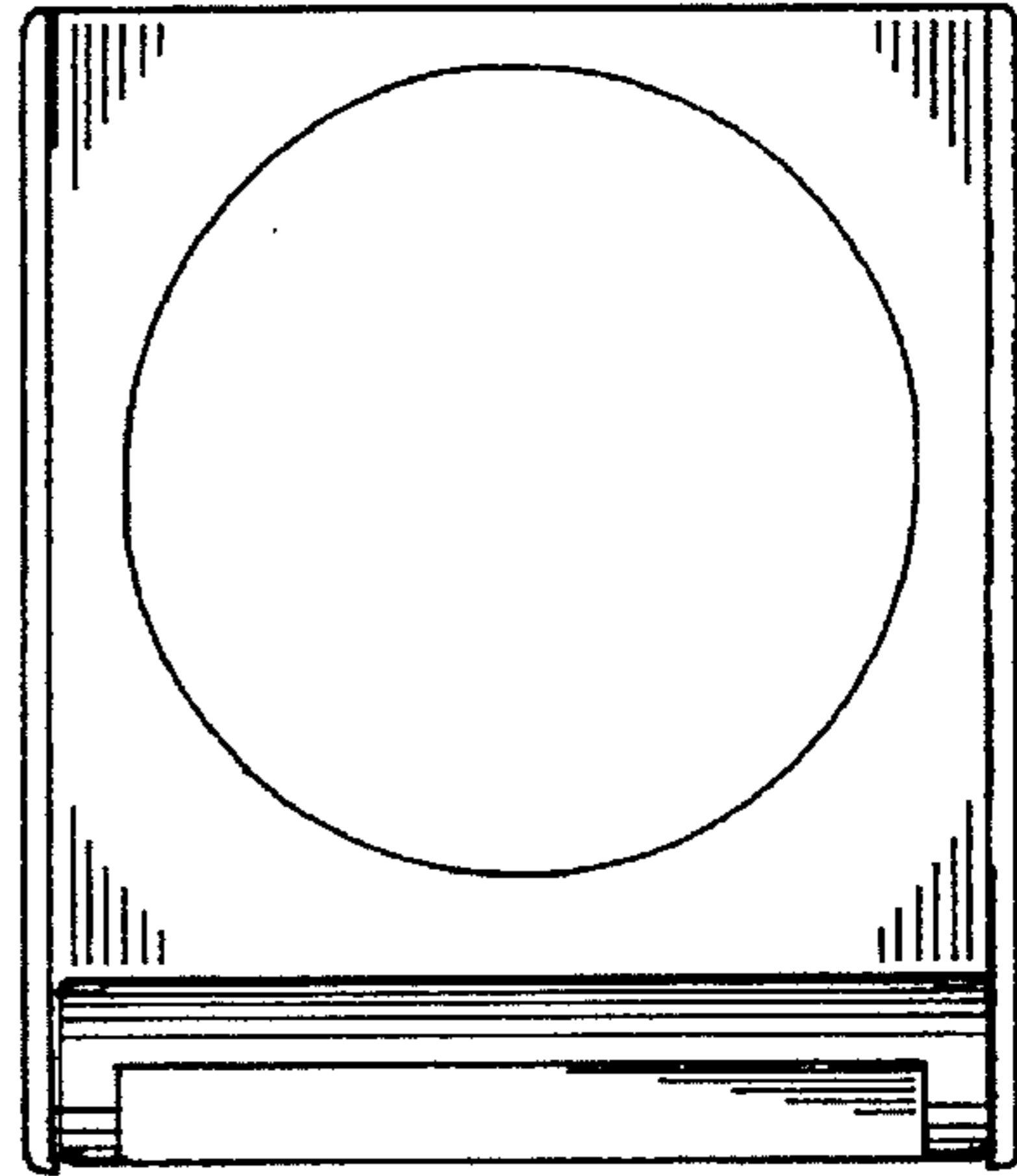


FIG. 3

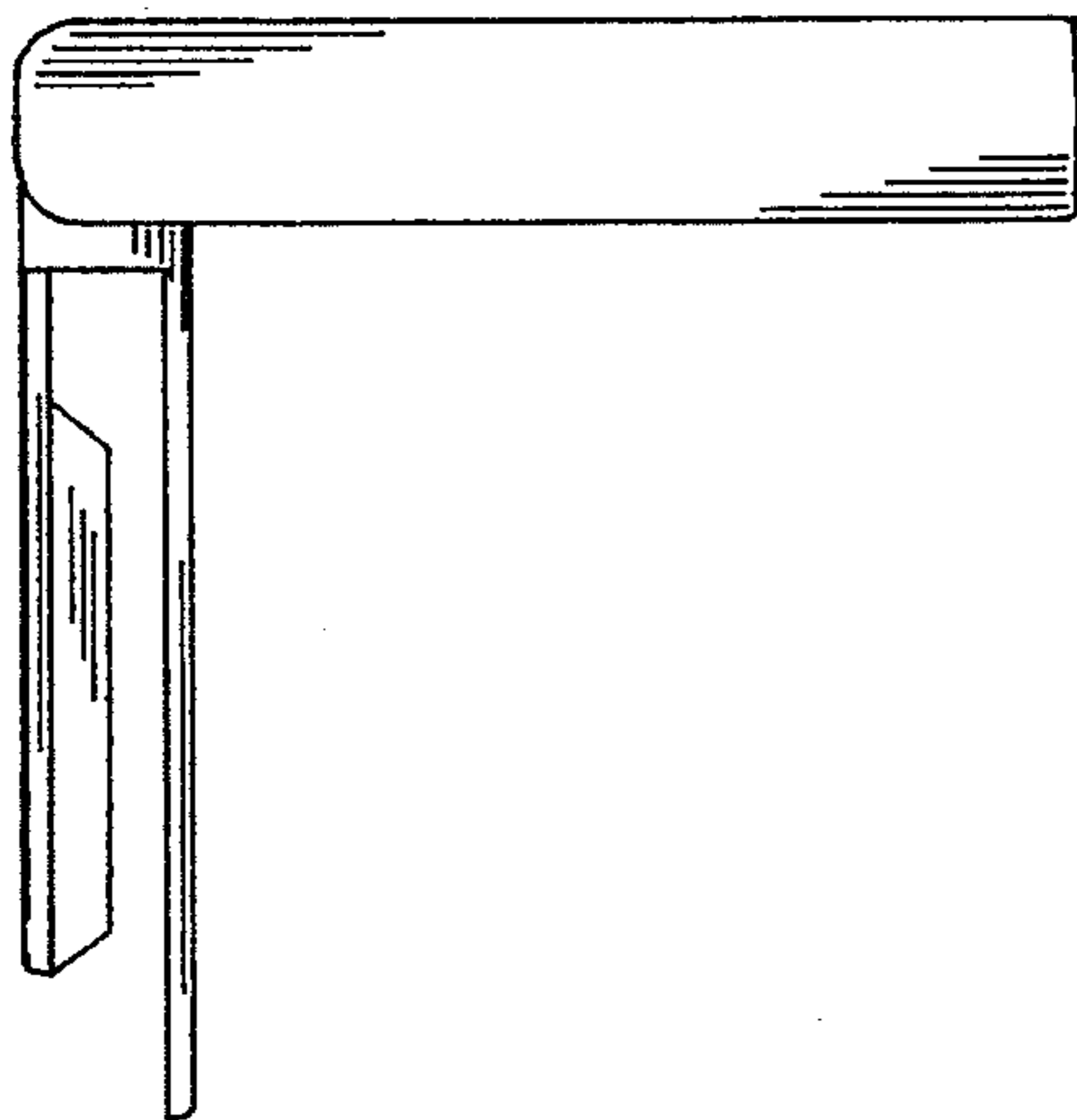


FIG. 4

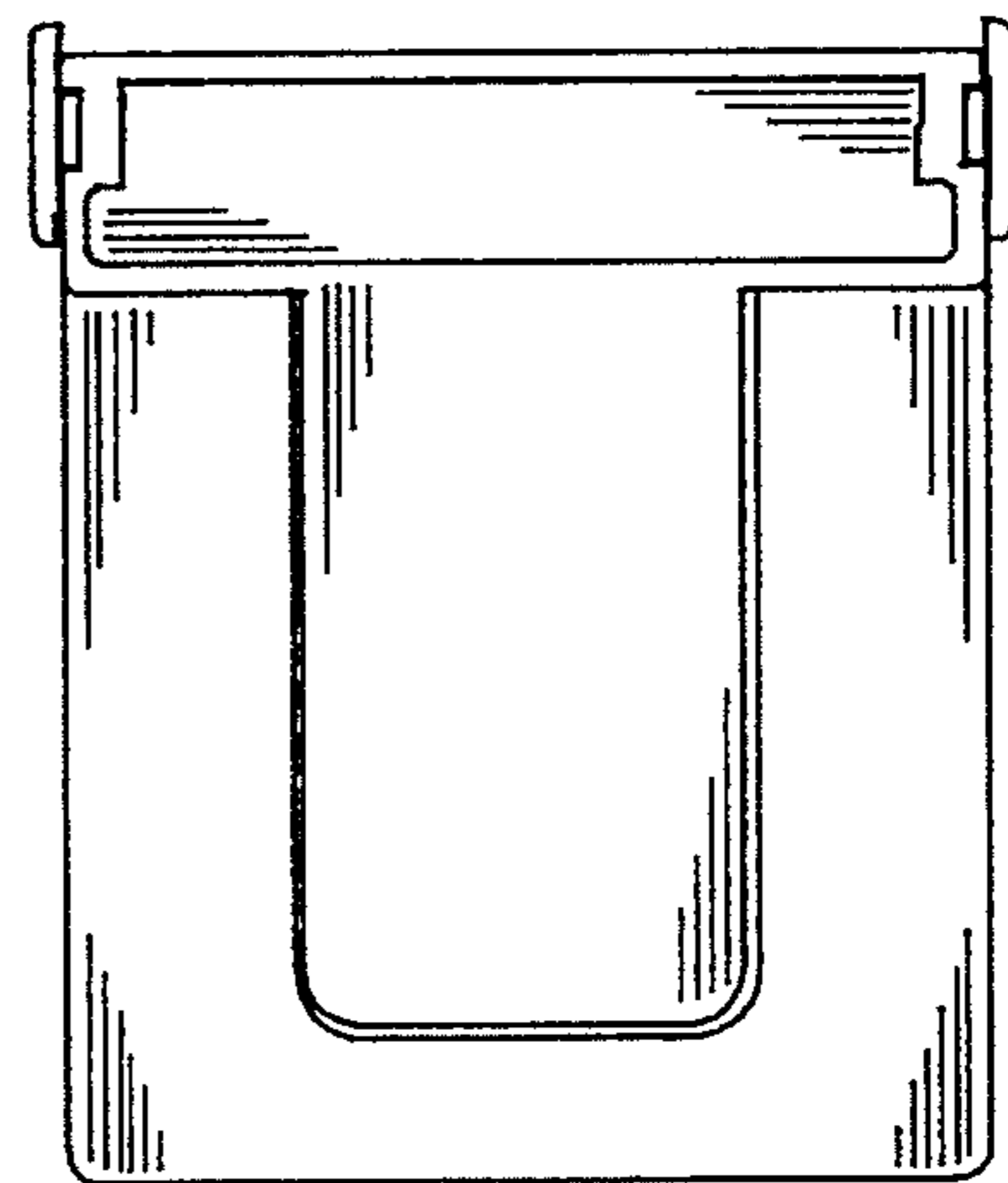


FIG. 5

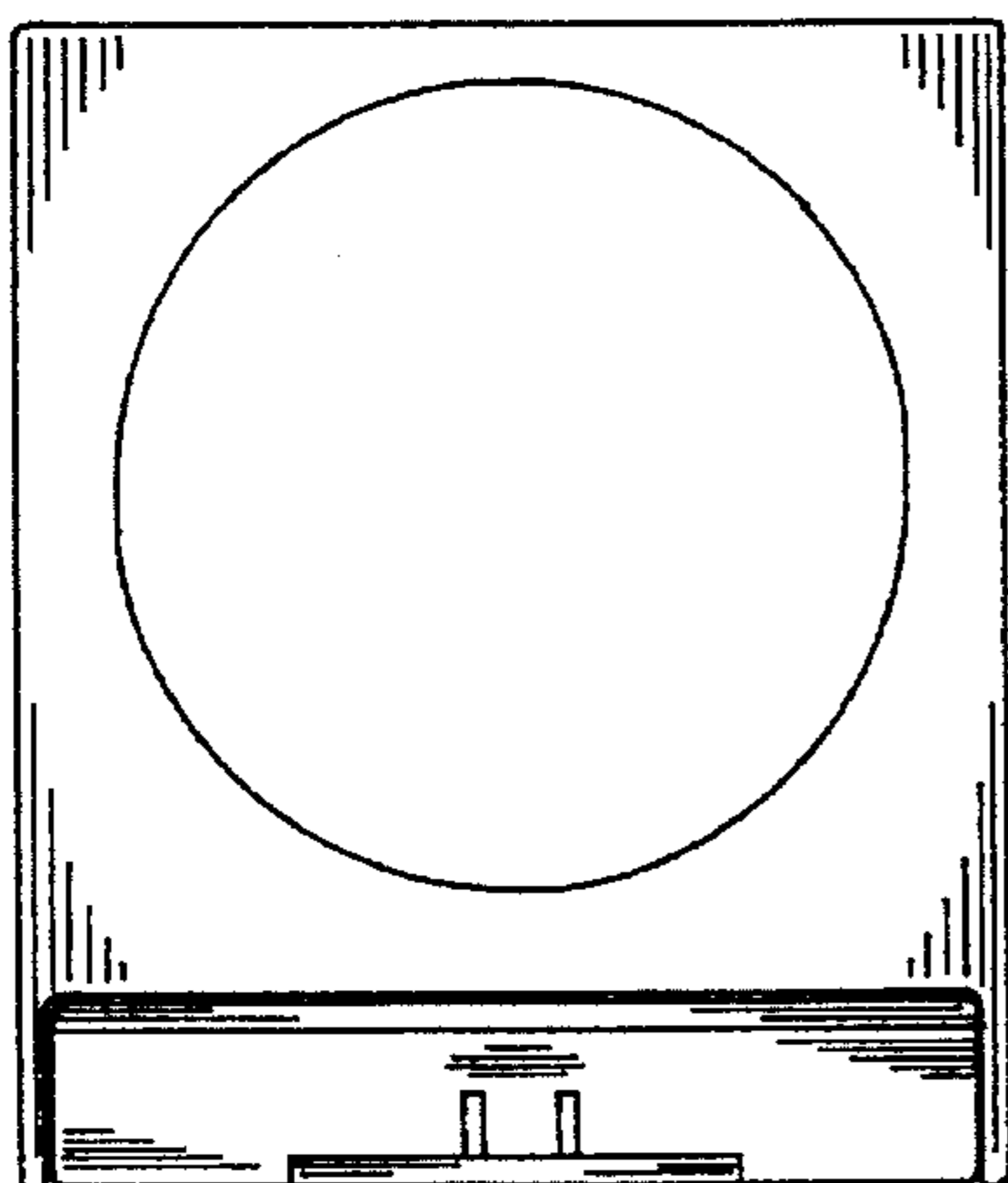


FIG. 6

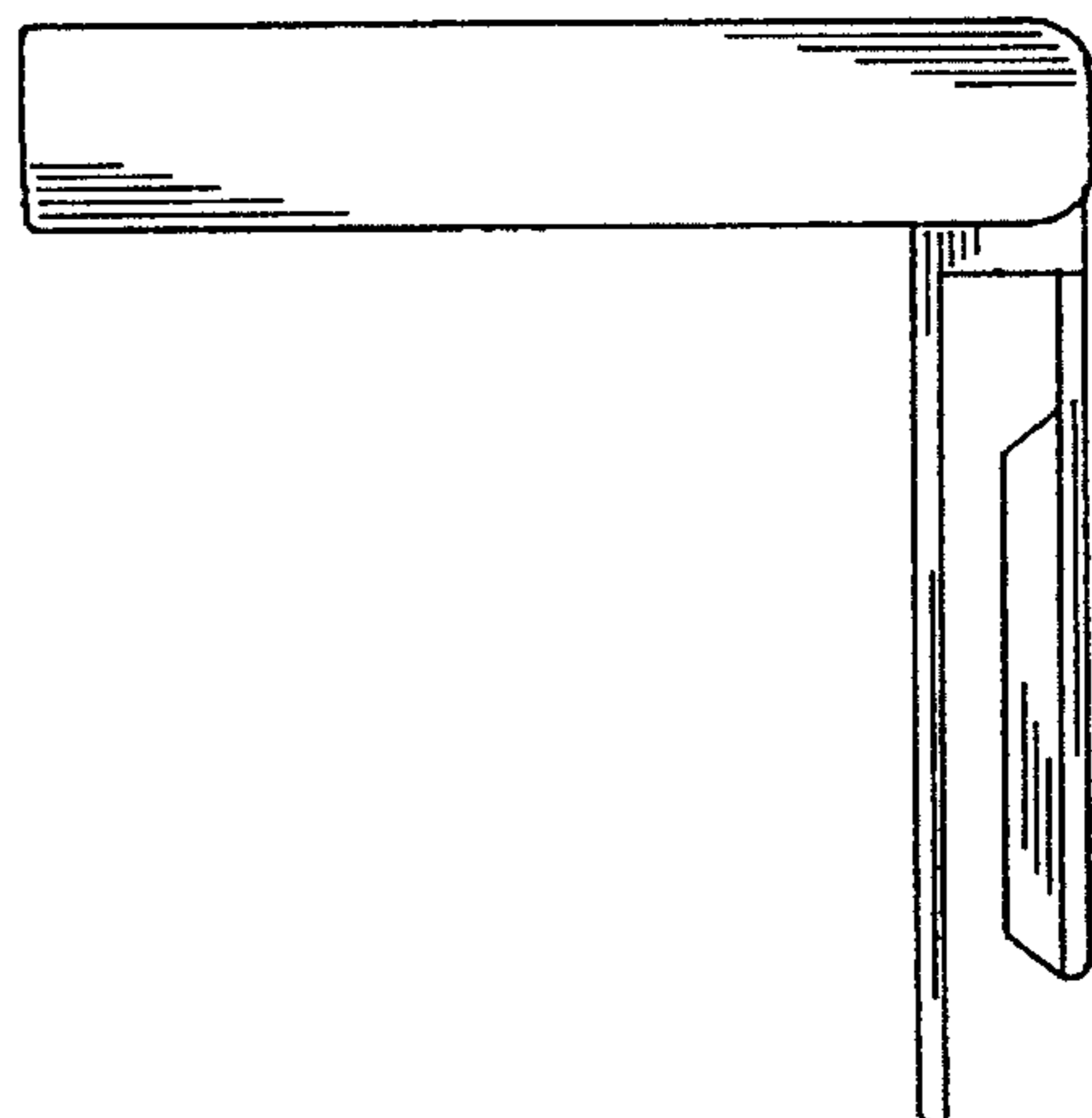


FIG. 7

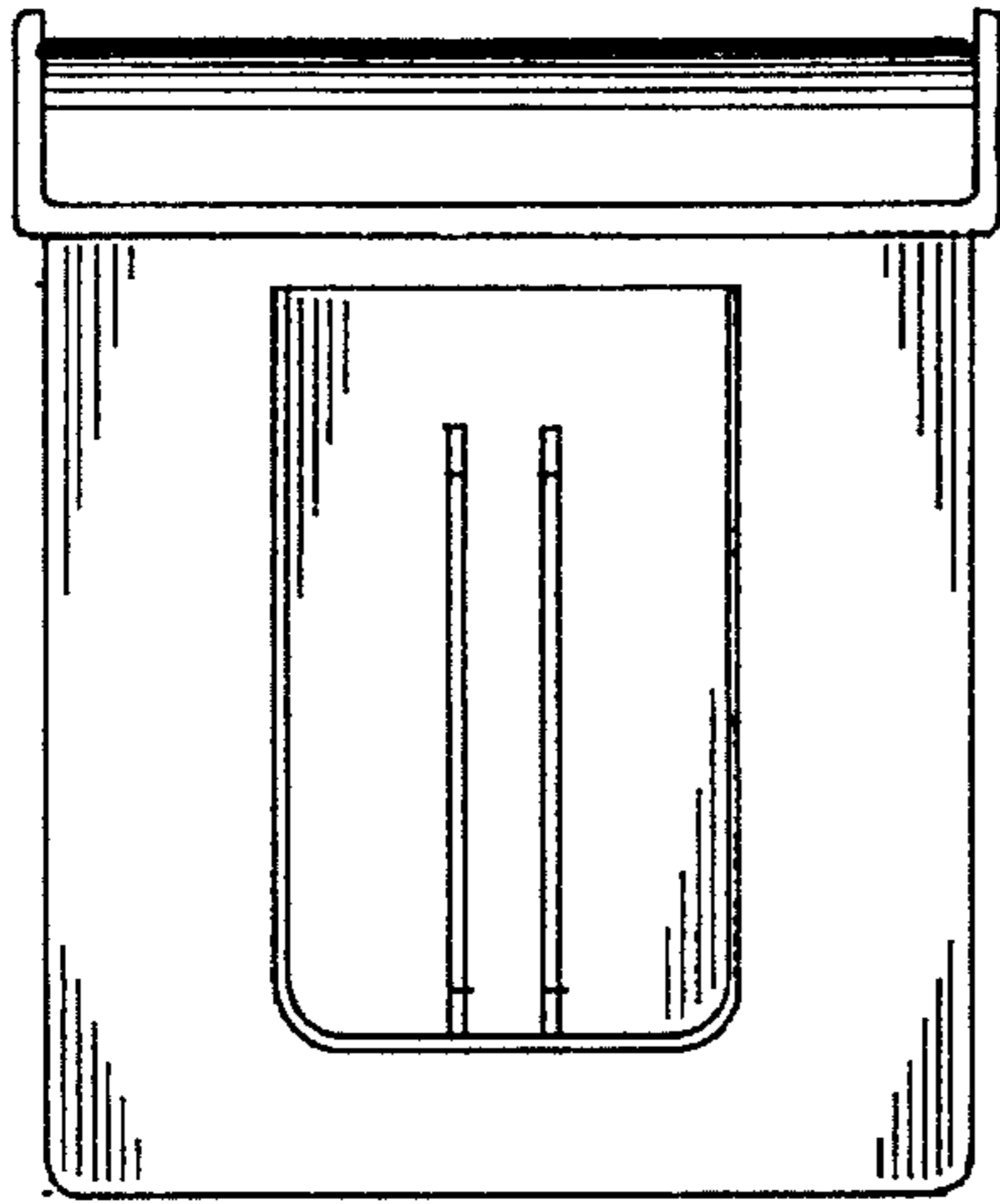


FIG. 8

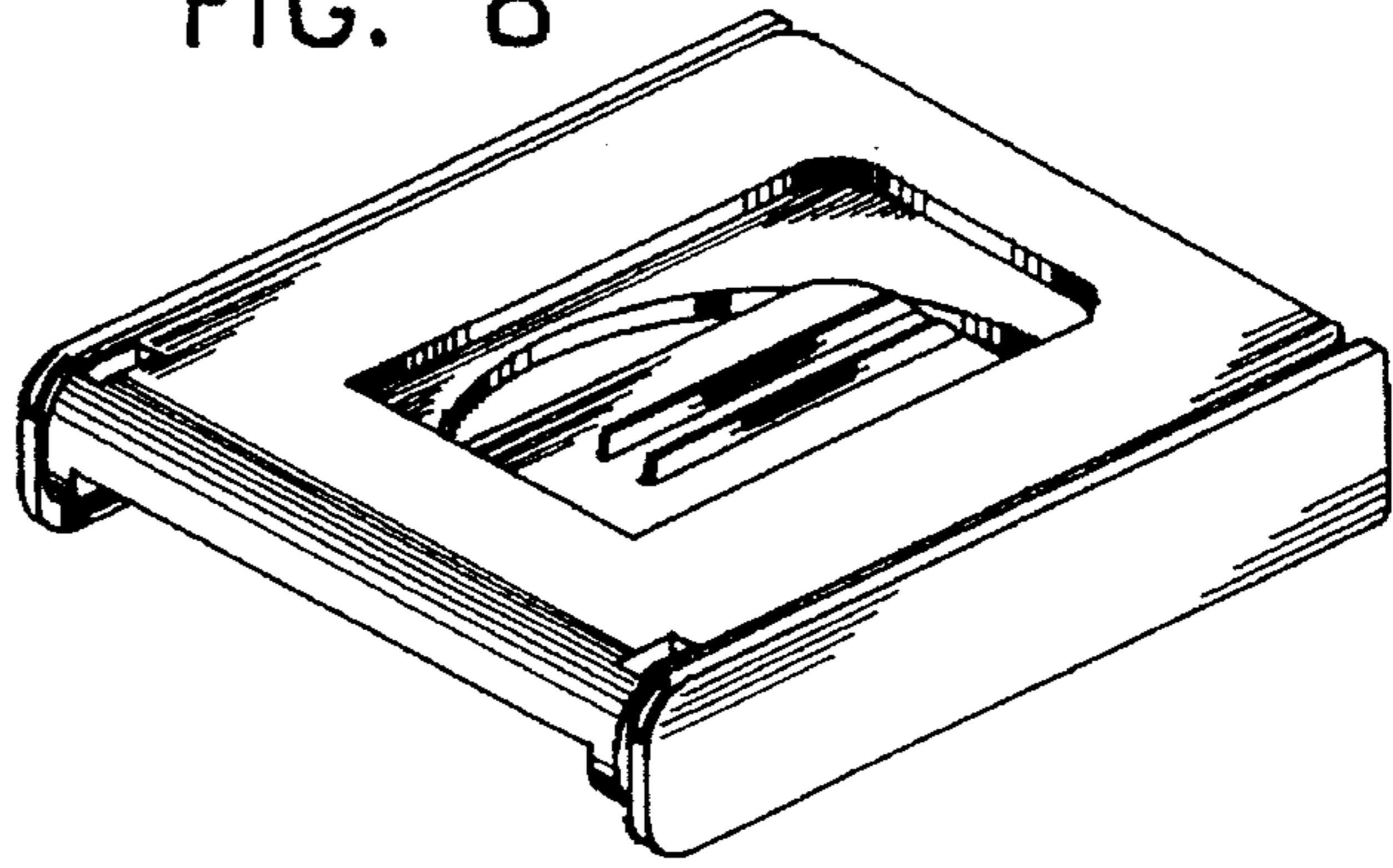


FIG. 9

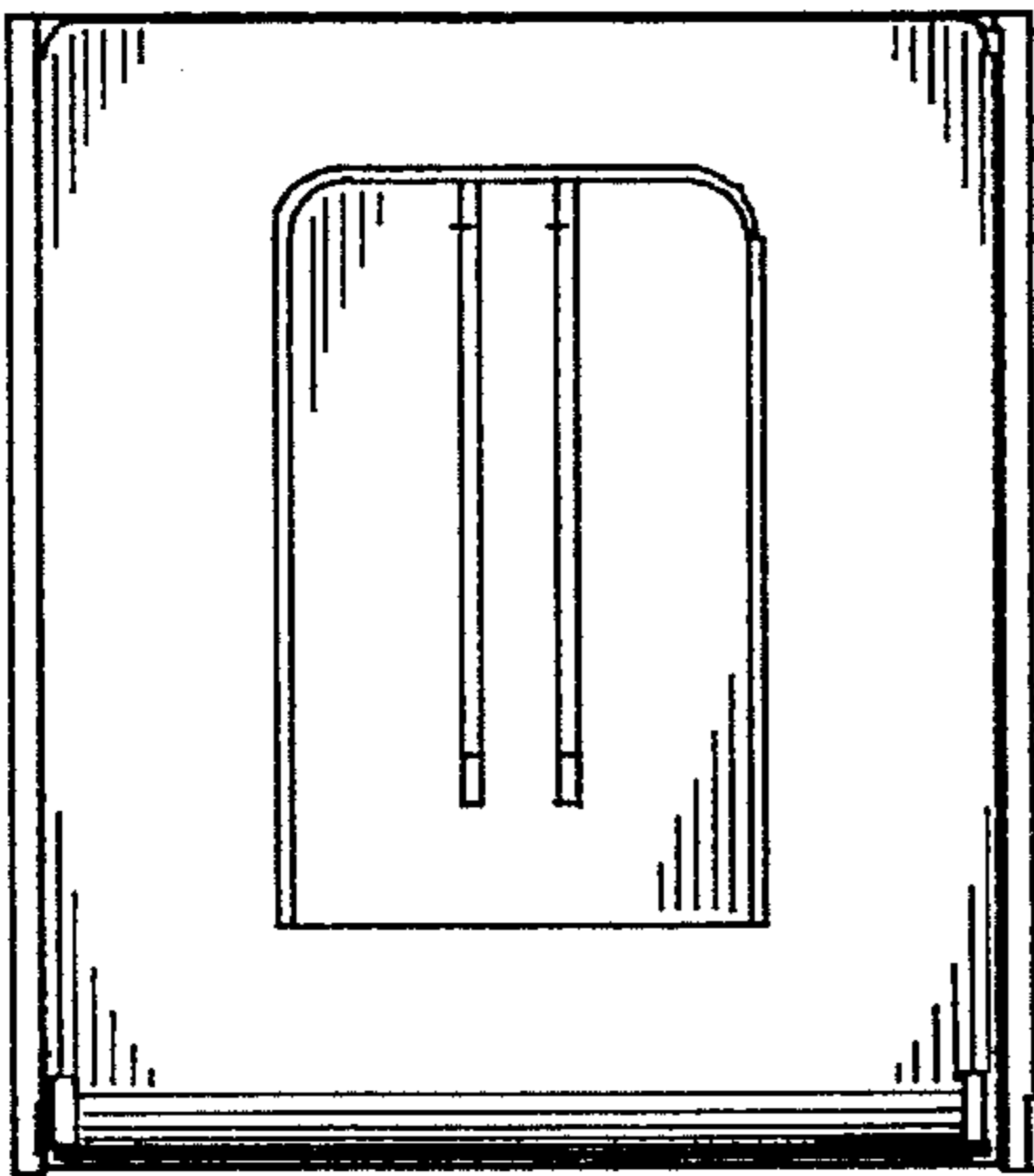


FIG. 10

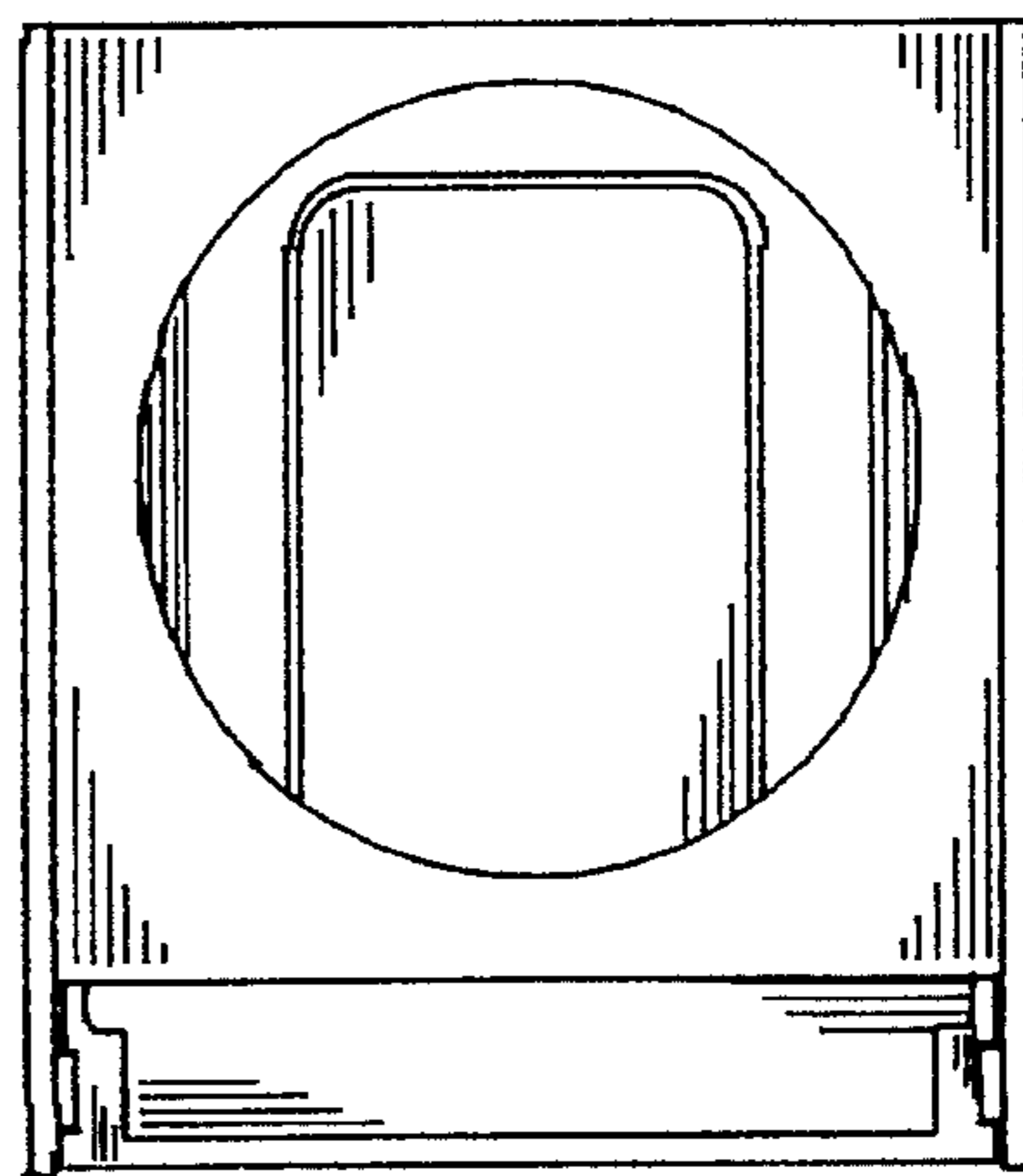


FIG. 11



FIG. 12

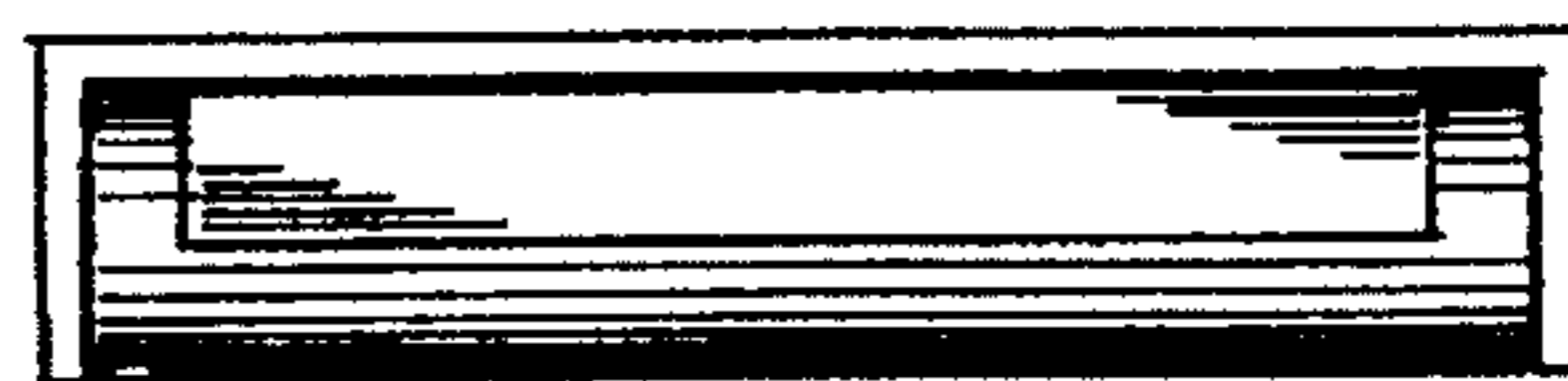


FIG. 13



FIG. 14

