



US00D378034S

United States Patent [19]

Buckley

[11] **Patent Number: Des. 378,034**

[45] **Date of Patent: **Feb. 18, 1997**

[54] **RIBBON DISPENSER**

[76] Inventor: **James W. Buckley**, P.O. Box 206,
Cokeville, Wyo. 83114

[**] Term: **14 Years**

[21] Appl. No.: **42,258**

[22] Filed: **Aug. 4, 1995**

[52] U.S. Cl. **D6/515**

[58] Field of Search D6/518-523; 242/550,
242/557, 570, 590, 594, 594.3, 598, 598.2;
206/389, 391, 394

[56] **References Cited**

U.S. PATENT DOCUMENTS

D. 324,074	2/1992	DeJaynes .	
D. 347,950	6/1994	Cisero et al.	D8/358
588,162	8/1897	Moore .	
873,188	12/1907	Thumann .	
946,166	1/1910	Engel et al. .	
1,069,757	8/1913	Bens et al. .	
1,156,266	10/1915	Bens et al. .	
2,248,482	1/1941	Shearer .	
2,953,245	9/1960	Zastrow	206/394
3,090,271	5/1963	Castelli	206/394

4,342,431	8/1982	Watellier .	
4,620,652	11/1986	Hanlon	206/394
5,495,653	3/1996	Schrock et al.	206/394

Primary Examiner—Brian N. Vinson
Attorney, Agent, or Firm—Richard C. Litman

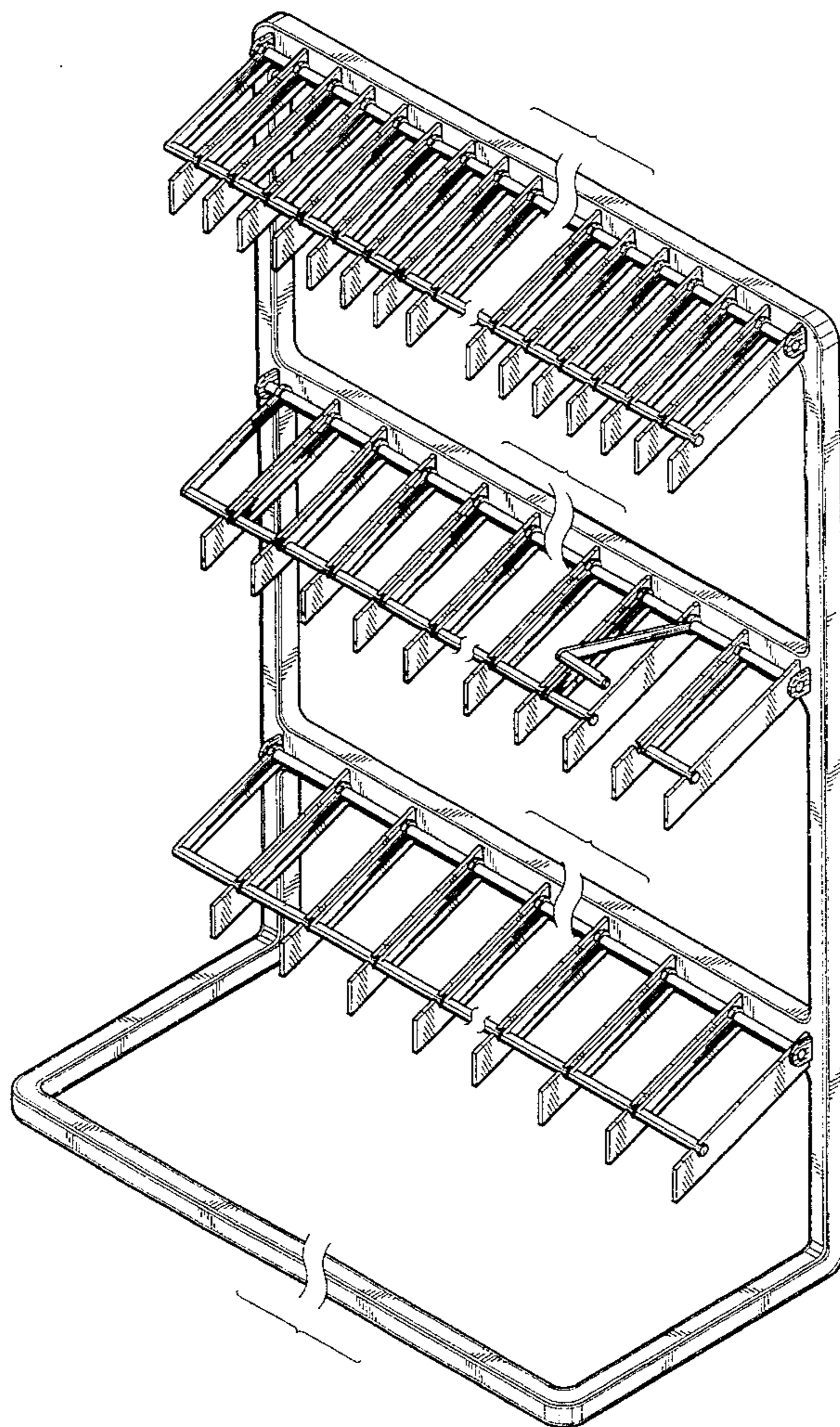
[57] **CLAIM**

The ornamental design for a ribbon dispenser, as shown and described.

DESCRIPTION

FIG. 1 is a top, front, and right side perspective view of a ribbon dispenser showing my new design;
 FIG. 2 is an enlarged front elevational view thereof, the rear being plain and unornamented;
 FIG. 3 is an enlarged top plan view thereof;
 FIG. 4 is an enlarged right side elevational view thereof; and,
 FIG. 5 is an enlarged left side elevational view thereof.
 The broken line disclosure of ribbon rolls in the views is for illustrative purposes only and forms no part of the claimed design. The dispenser is shown broken-away in the views to indicate indeterminate width.

1 Claim, 5 Drawing Sheets



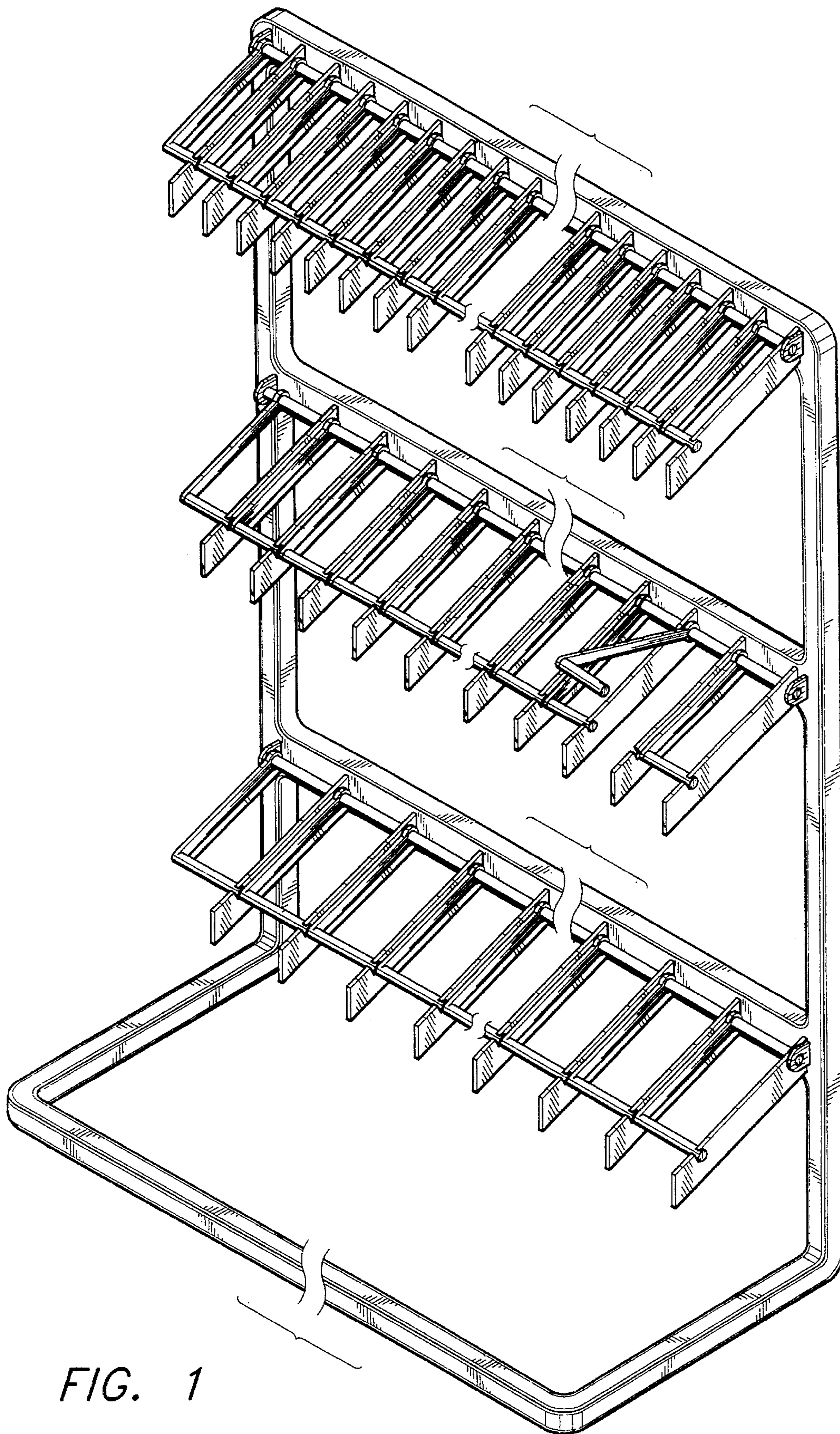


FIG. 1

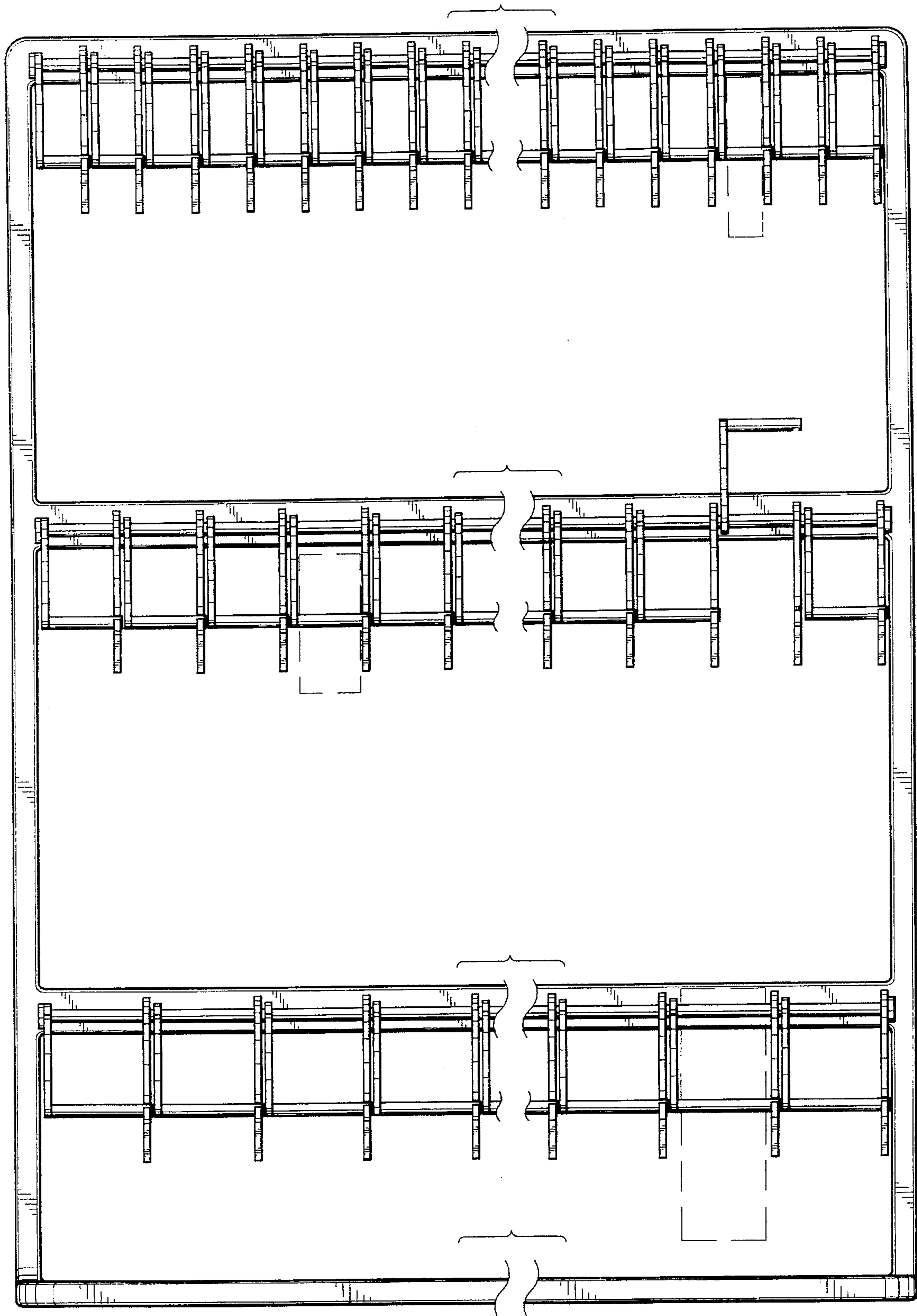


FIG. 2

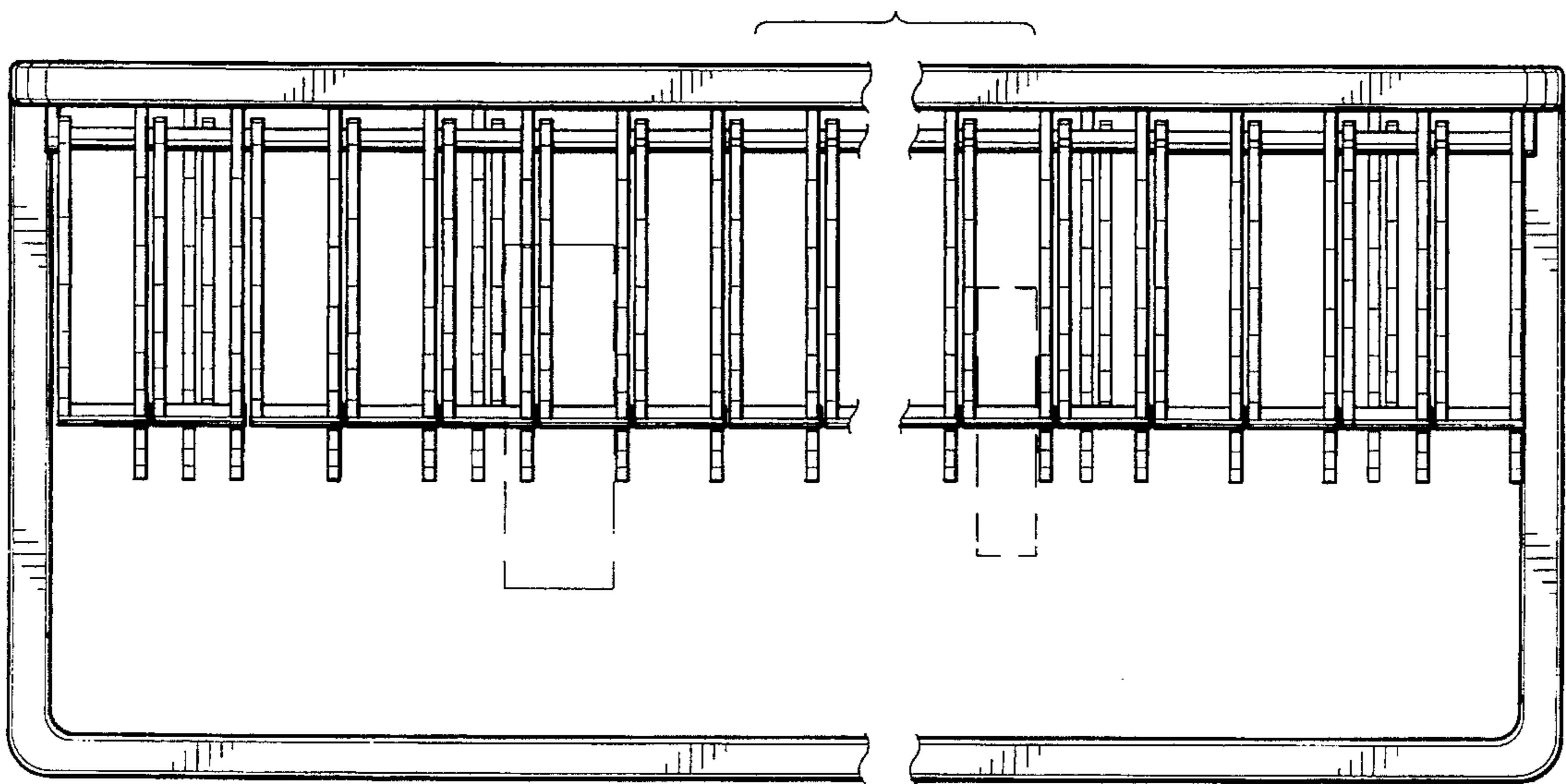


FIG. 3

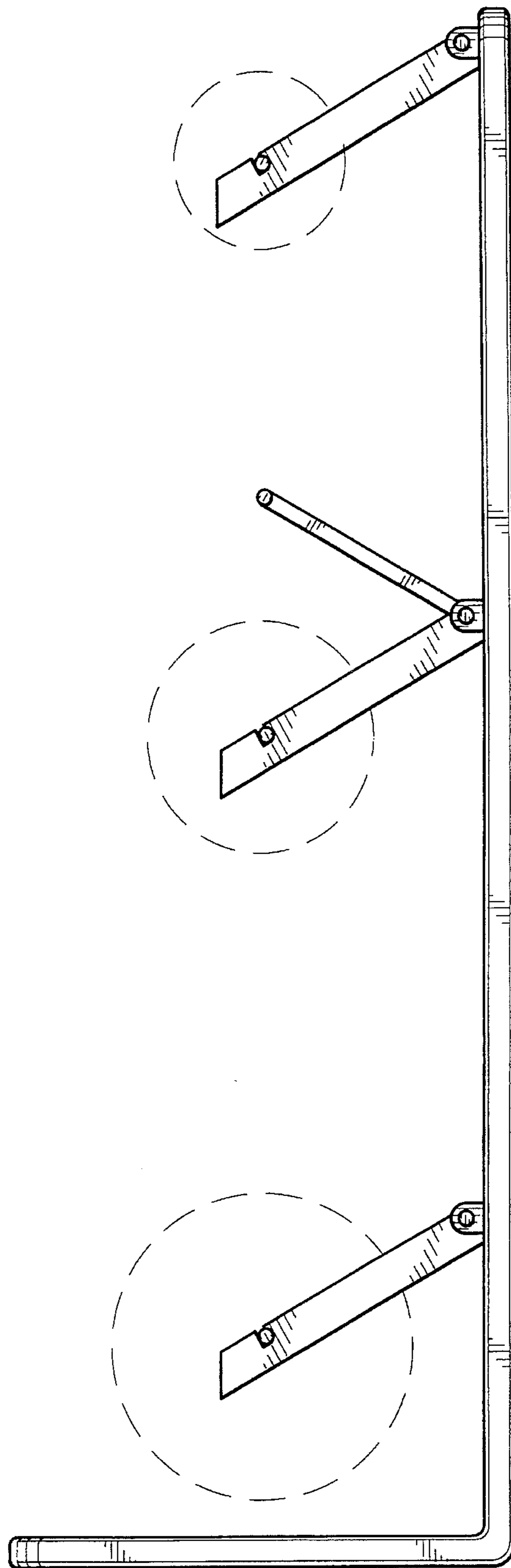


FIG. 4

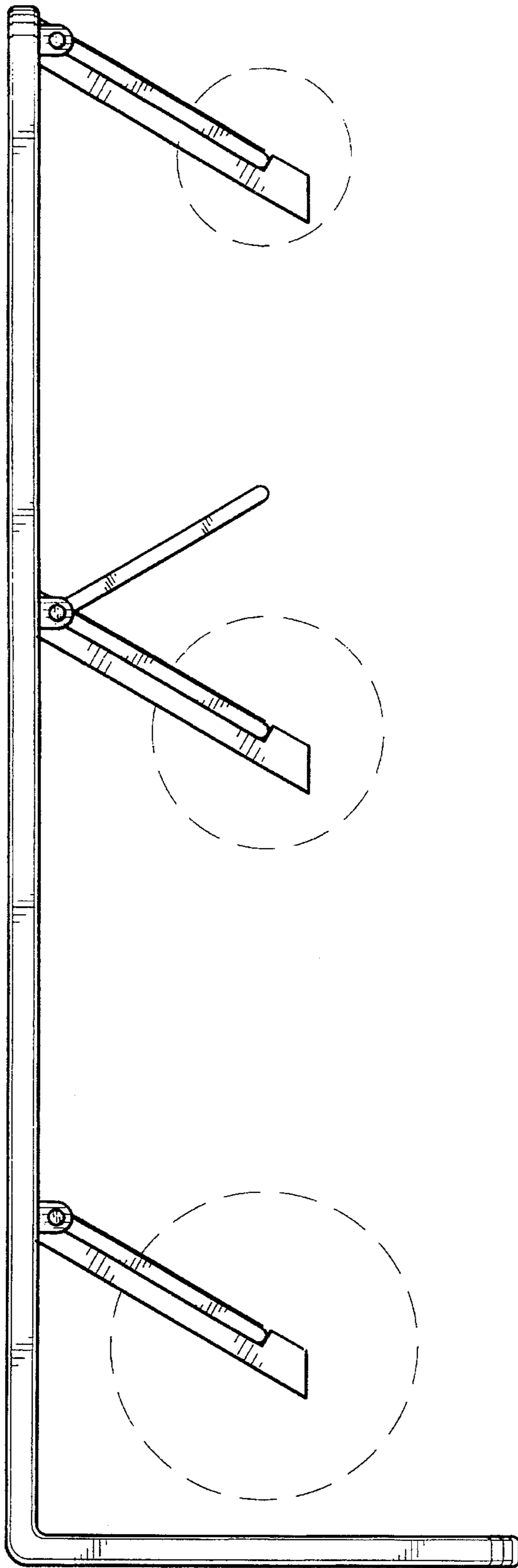


FIG. 5