



US00D378033S

United States Patent [19]

Volk, Jr.

[11] Patent Number: **Des. 378,033**

[45] Date of Patent: ****Feb. 18, 1997**

[54] **BICYCLE STORAGE LOCKER**

[76] Inventor: **Thomas E. Volk, Jr.**, 860 Jose Dr.,
Ojai, Calif. 93023

[**] Term: **14 Years**

[21] Appl. No.: **46,973**

[22] Filed: **Nov. 22, 1995**

[52] U.S. Cl. **D6/448; D6/441**

[58] Field of Search **D6/432-448; 312/215,**
312/216, 204, 114, 116, 117, 122, 125,
224; D7/609; D3/903

[56] **References Cited**

U.S. PATENT DOCUMENTS

D. 103,859	3/1937	Ramel	D6/470
D. 264,288	5/1982	Heather	D6/445
D. 330,647	11/1992	Bennett	D6/432

OTHER PUBLICATIONS

Thomasville, Replicas 1800, May/1987, p. 9, cabinet at top right.

Primary Examiner—Janice E. Seeger

[57] **CLAIM**

The ornamental design for bicycle storage locker, as shown and described.

DESCRIPTION

FIG. 1 is an isometric view of a bicycle storage locker of this invention;

FIG. 2 is a front view in elevation of the bicycle storage locker illustrated in FIG. 1, the rear view being identical thereto;

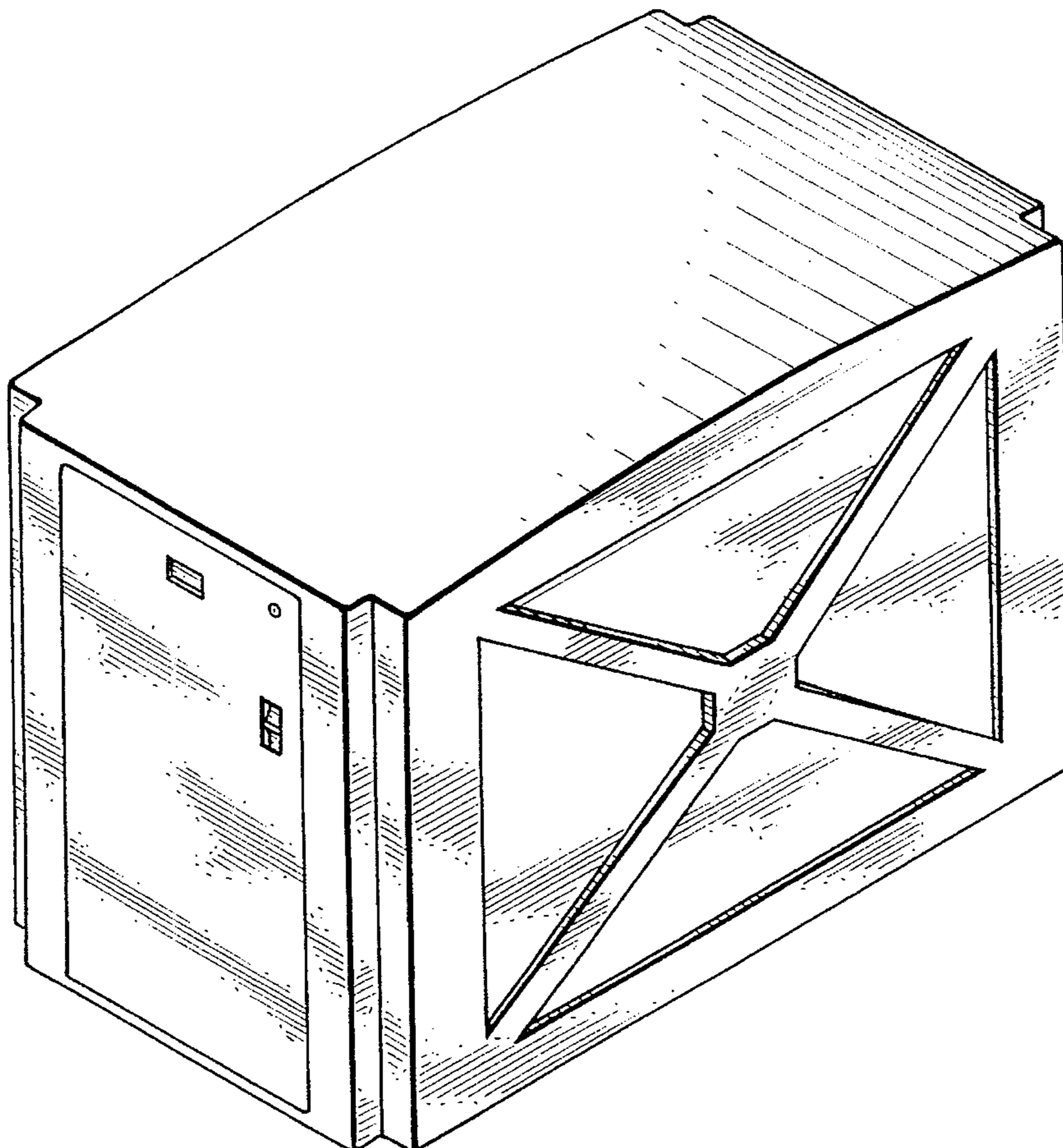
FIG. 3 is a right side view in elevation of the bicycle storage locker illustrated in FIG. 1, the left side view being identical thereto;

FIG. 4 is a top view in elevation of the bicycle storage locker illustrated in FIG. 1;

FIG. 5 is a bottom view in elevation of the bicycle storage locker illustrated in FIG. 1; and,

FIG. 6 is a perspective view showing an alternate embodiment of my new design.

1 Claim, 2 Drawing Sheets



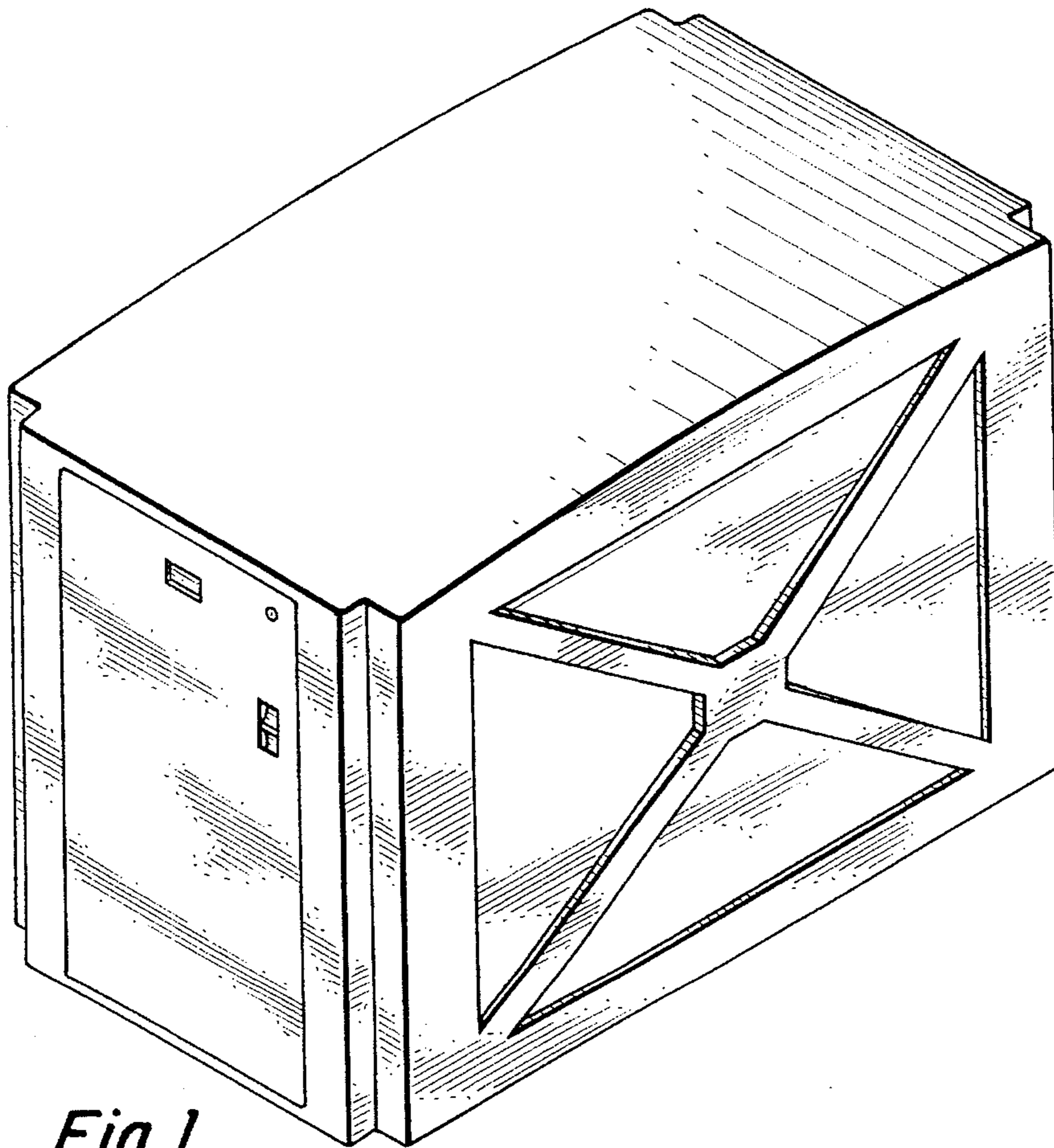


Fig. 1.

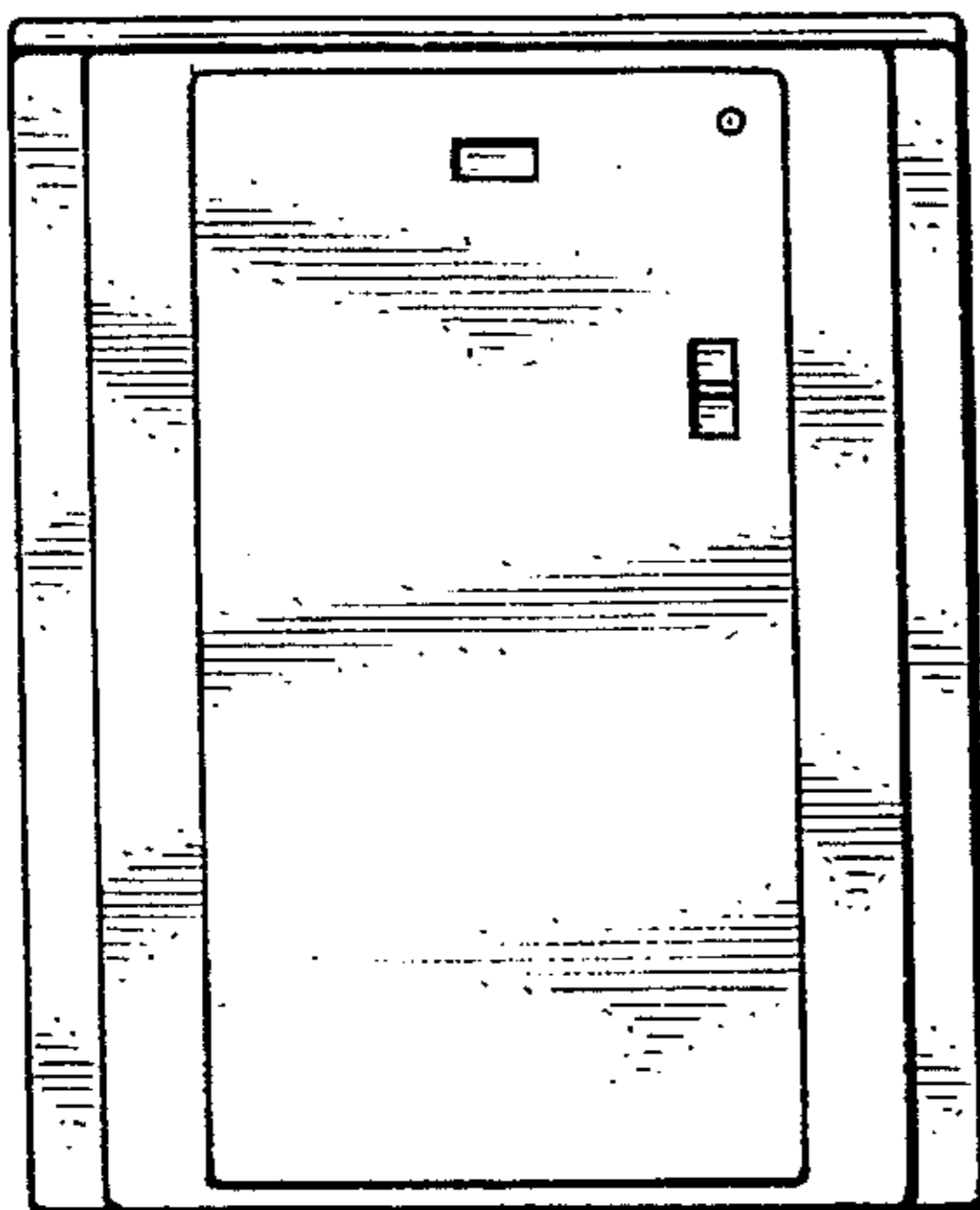


Fig. 2.

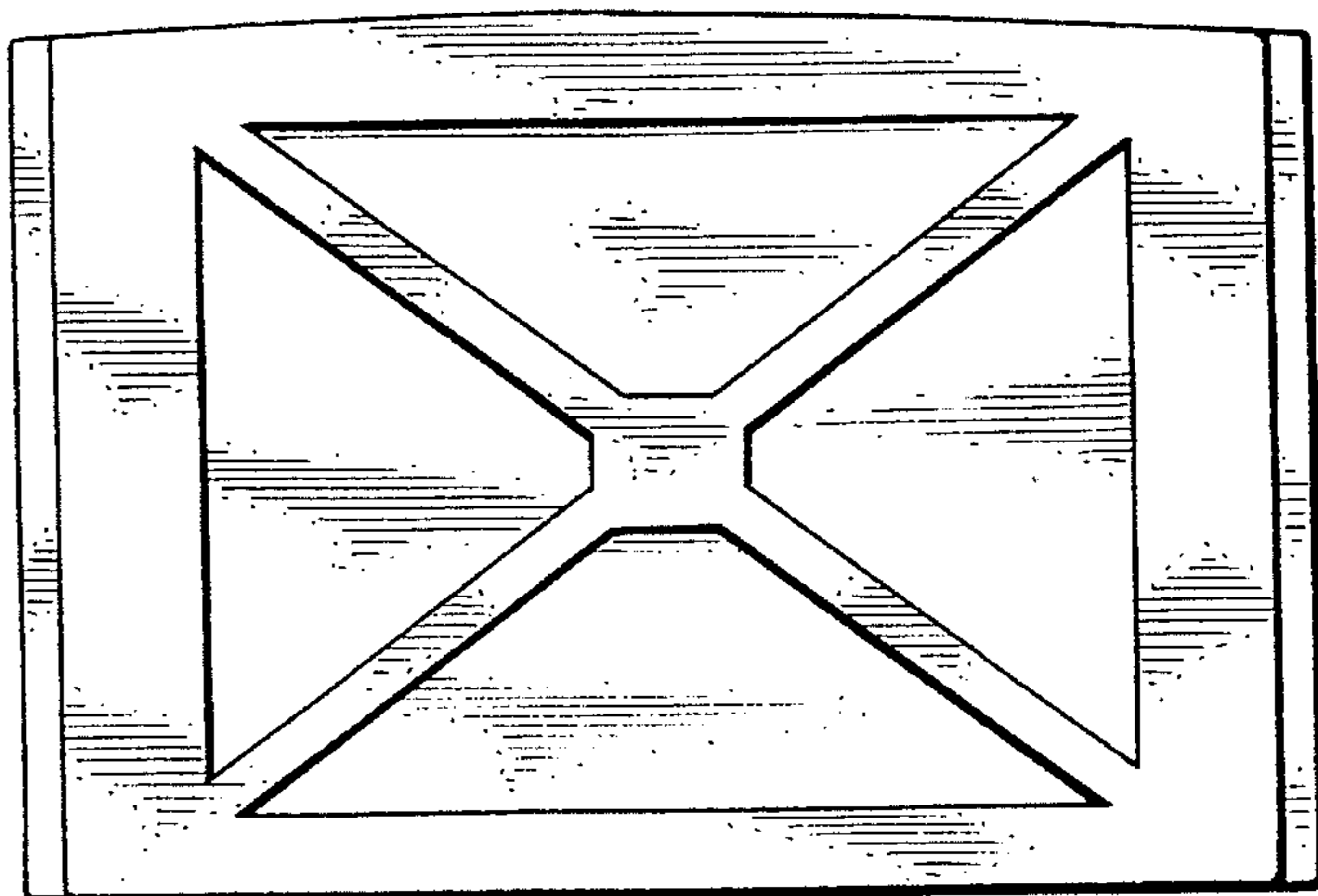


Fig. 3.

Fig. 4.

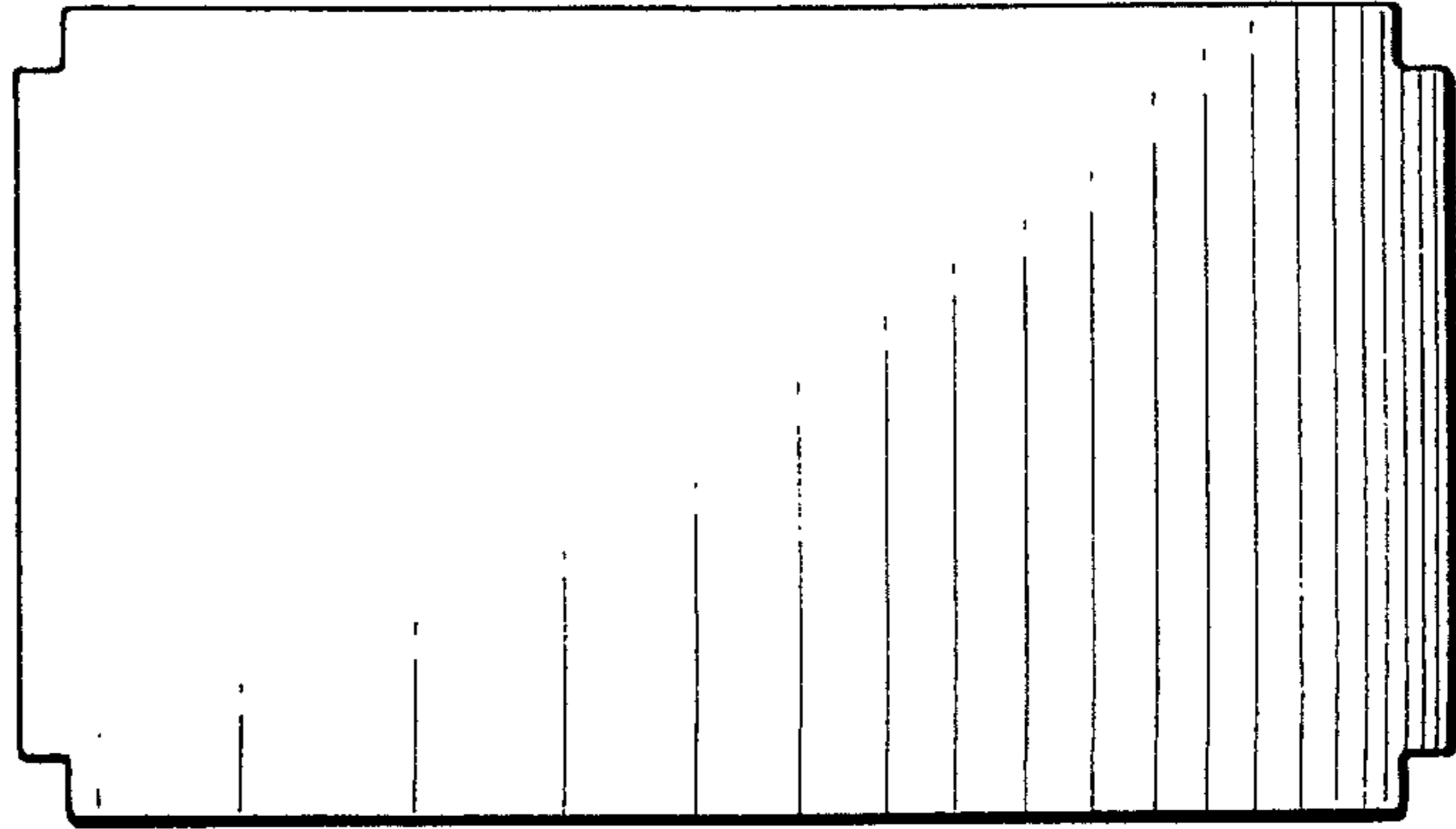


Fig. 5.

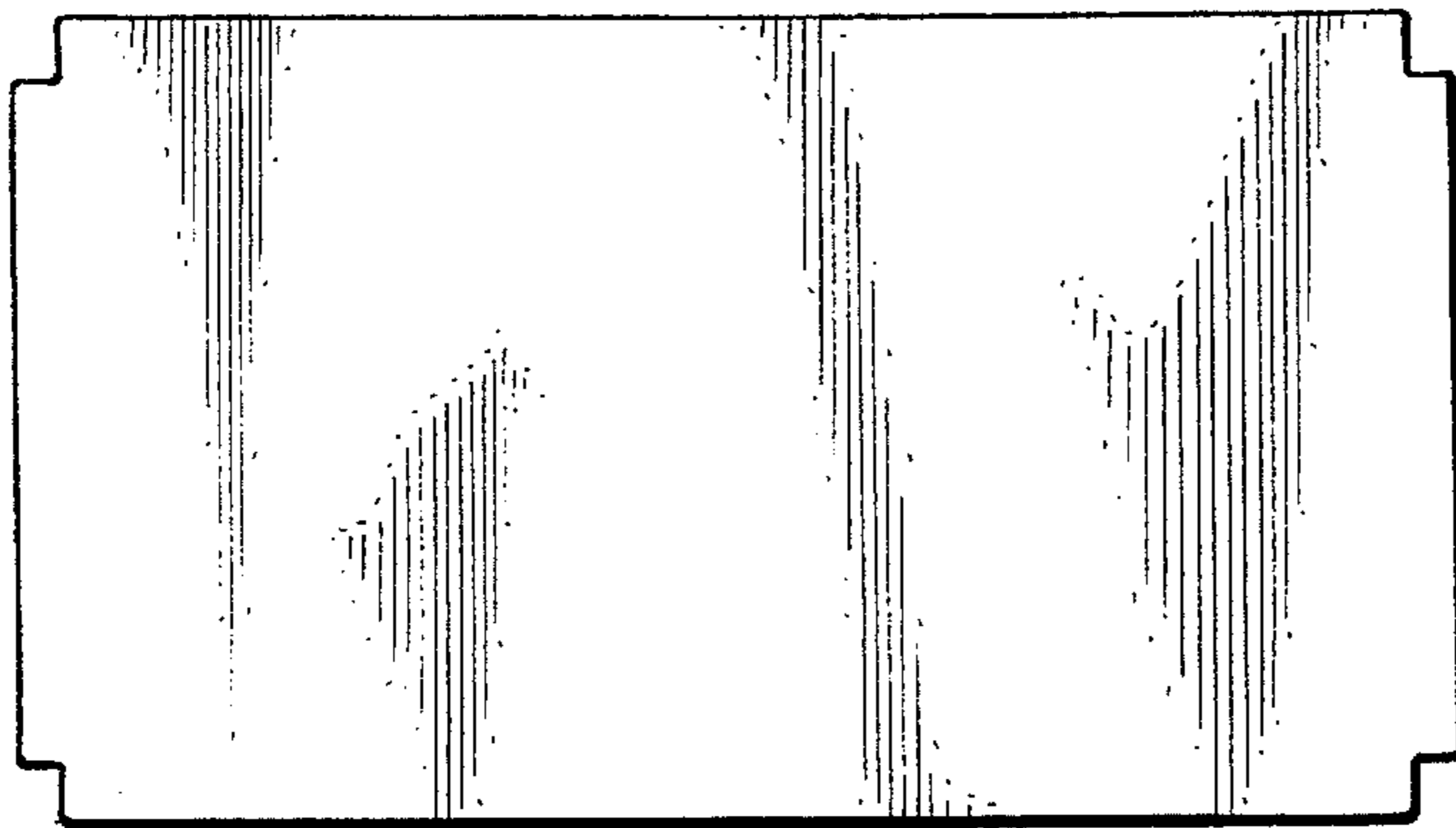


Fig. 6.

