



US00D378032S

# United States Patent [19]

[11] Patent Number: **Des. 378,032**

**Rosebrock**

[45] Date of Patent: **\*\*Feb. 18, 1997**

[54] **SIDEBOARD**

D. 343,306 1/1994 Keller ..... D6/438  
D. 363,622 10/1995 Walters, III et al. .... D6/480 X

[75] Inventor: **Paul A. Rosebrock**, Morganton, N.C.

*Primary Examiner*—Janice E. Seeger

[73] Assignee: **Henredon Furniture Industries, Inc.**,  
Morganton, N.C.

*Attorney, Agent, or Firm*—Edgar A. Zarins; Malcolm L. Sutherland

[\*\*] Term: **14 Years**

[57] **CLAIM**

[21] Appl. No.: **47,317**

The ornamental design for a sideboard, as shown and described.

[22] Filed: **Nov. 30, 1995**

**DESCRIPTION**

[52] U.S. Cl. .... **D6/445; D6/434**

[58] Field of Search ..... **D6/432-448; 312/114, 312/116, 117, 122, 125**

FIG. 1 is a perspective view of a sideboard showing my new design;

FIG. 2 is a front elevational view thereof;

FIG. 3 is a left side view thereof, the opposite side being a mirror image of the side shown; and,

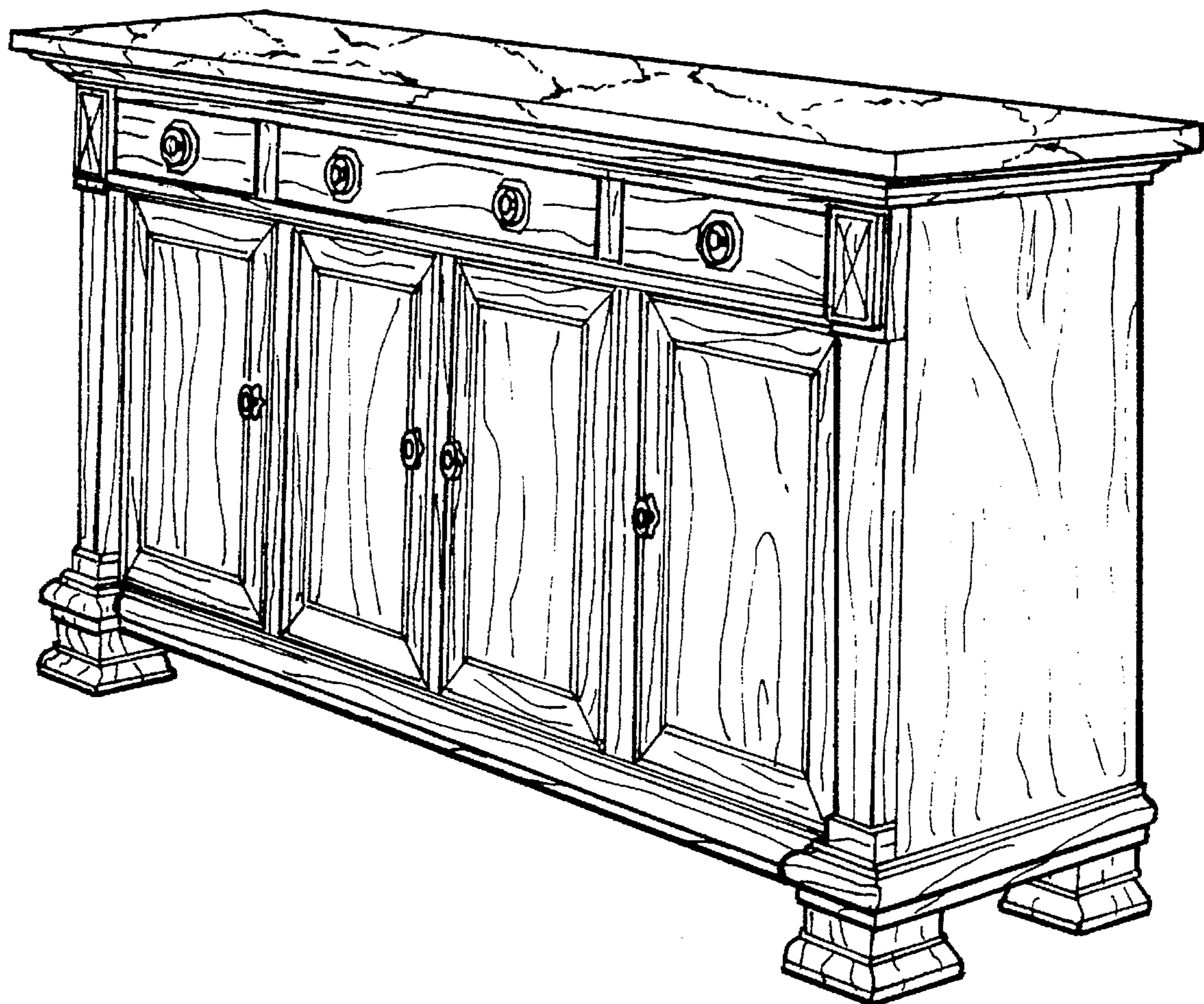
FIG. 4 is a top plan view thereof.

[56] **References Cited**

**U.S. PATENT DOCUMENTS**

D. 224,871 10/1972 Winrow ..... D6/446  
D. 242,289 11/1976 Peets ..... D6/448

**1 Claim, 2 Drawing Sheets**



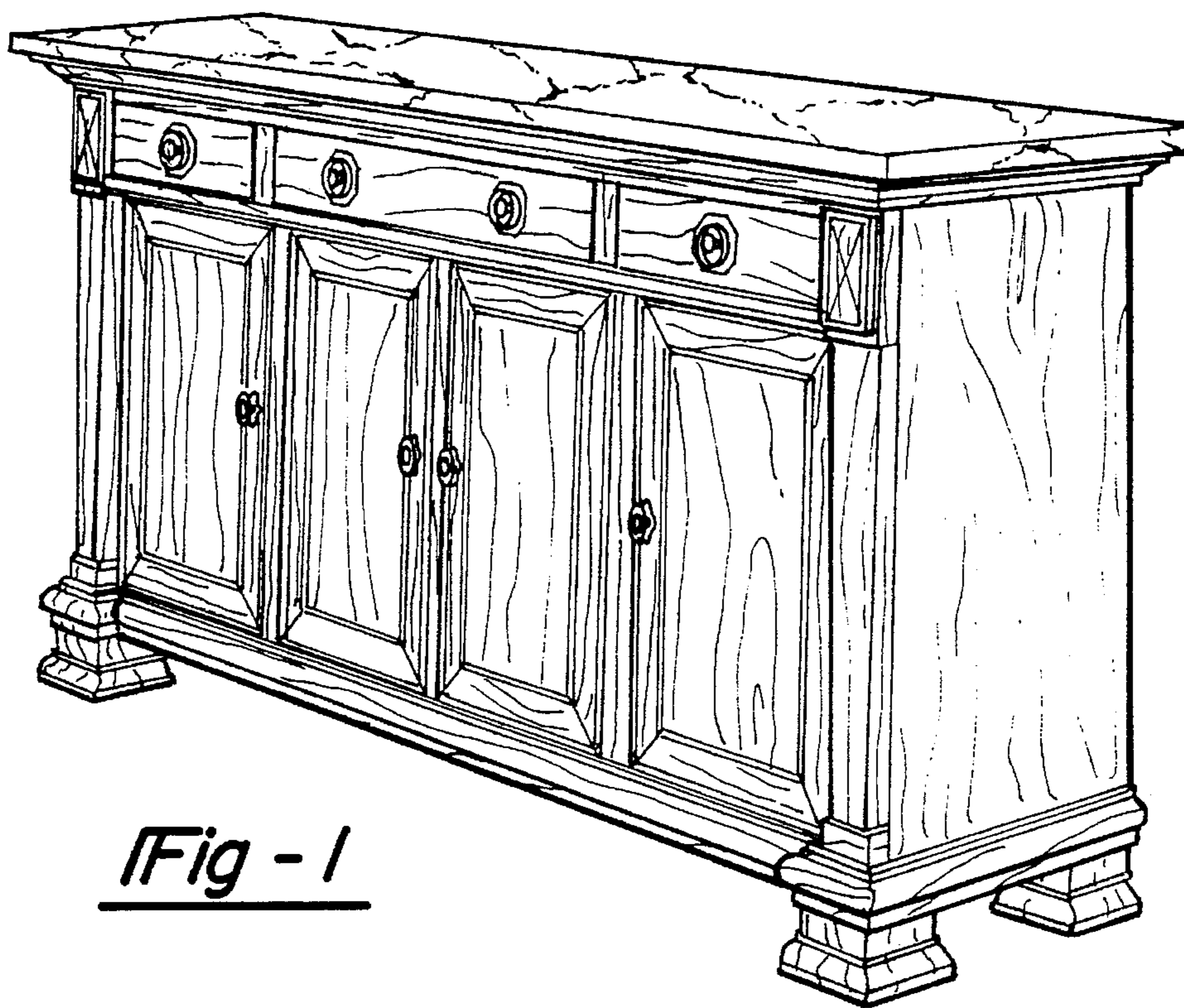


Fig - 1

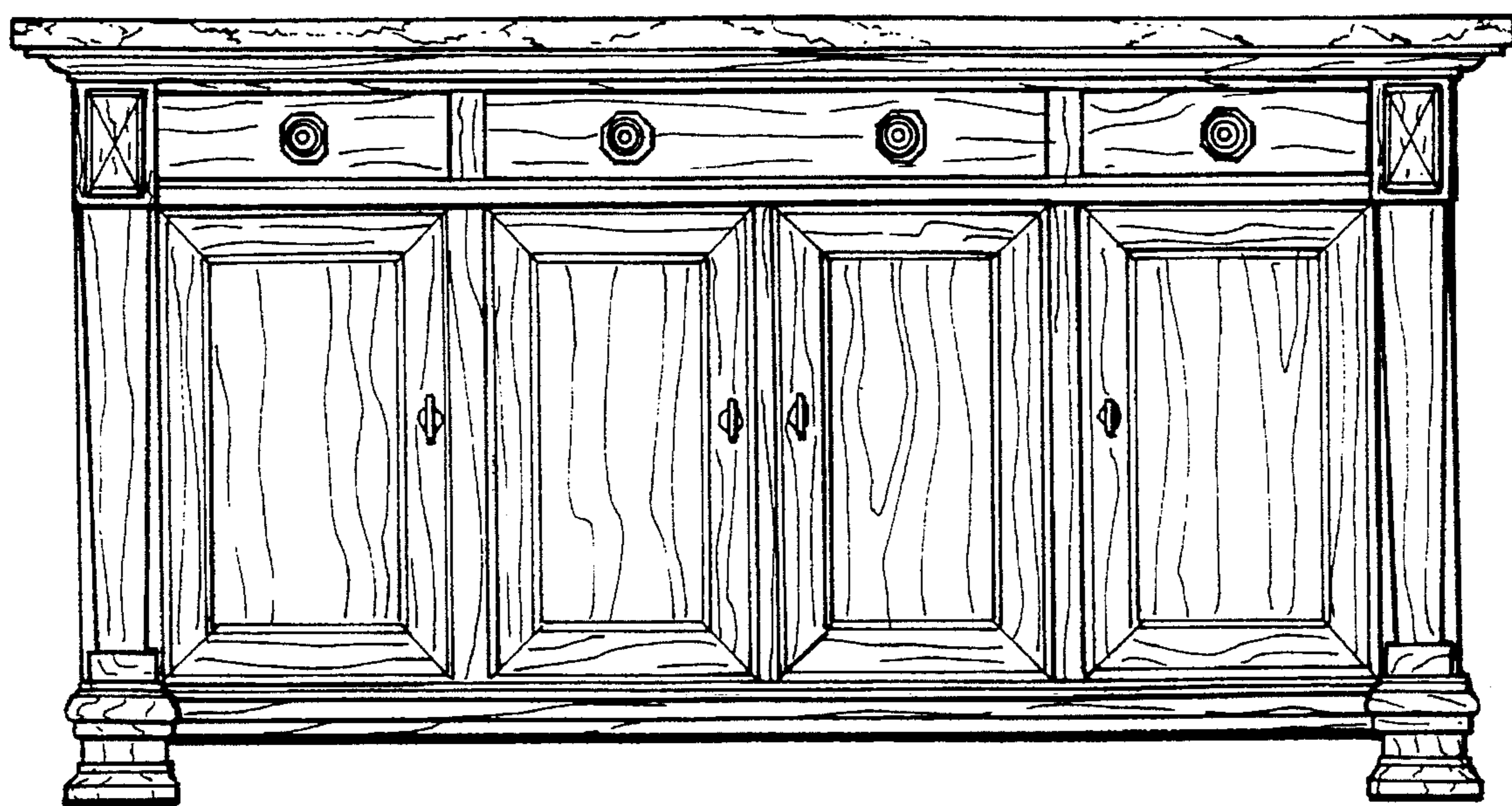


Fig - 2

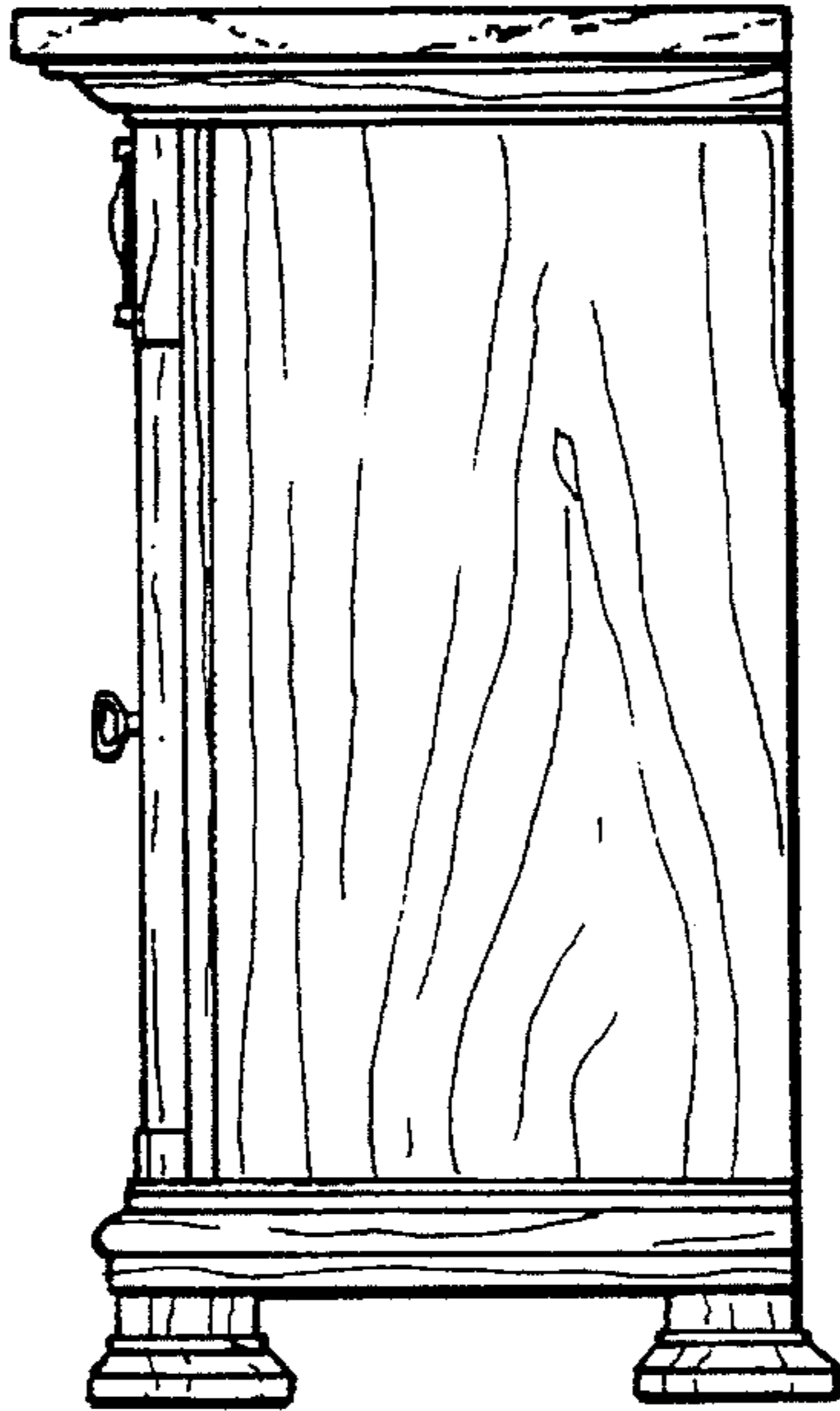


Fig - 3

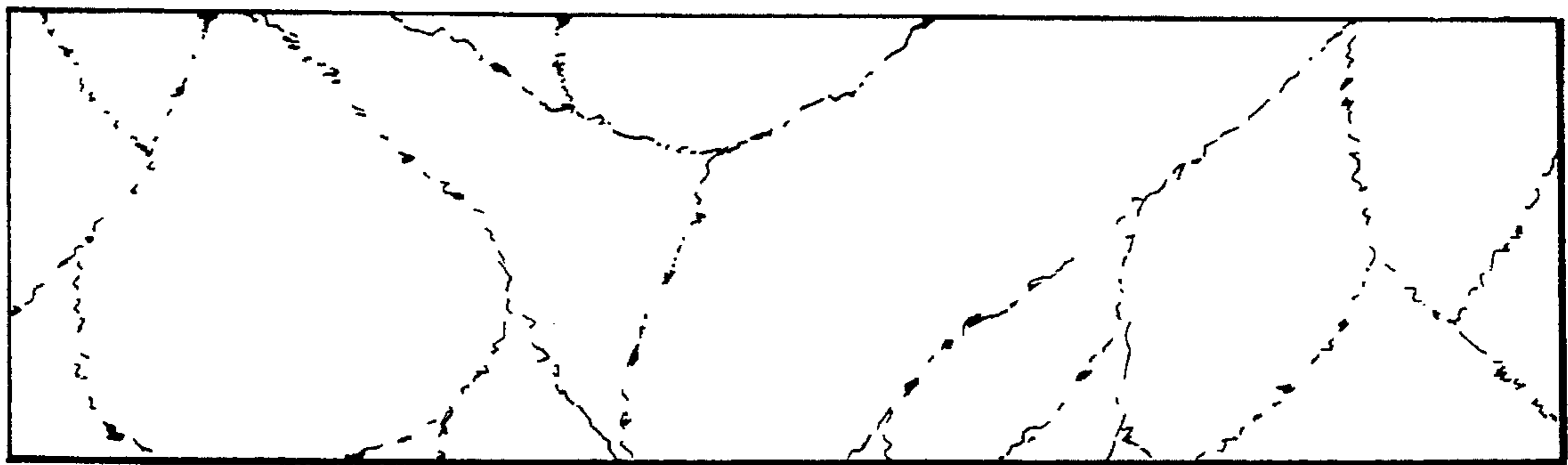


Fig - 4