



US00D378029S

United States Patent [19]

Clark

[11] Patent Number: **Des. 378,029**

[45] Date of Patent: ****Feb. 18, 1997**

[54] **GUITAR SUPPORT TABLE**

[76] Inventor: **Jonathan R. Clark**, 11 Palmetto Ct.,
Trophy Club, Tex. 76262

[**] Term: **14 Years**

[21] Appl. No.: **45,708**

[22] Filed: **Oct. 27, 1995**

[52] U.S. Cl. **D6/396; D6/429**

[58] Field of Search **D6/429-431, 396,
D6/432-448; 108/118, 120, 29, 30, 90**

[56] **References Cited**

U.S. PATENT DOCUMENTS

D. 250,238	11/1978	Minsky	D6/429
3,646,895	3/1972	Campbell	108/118
3,964,403	6/1976	Schankman	108/90
5,353,715	10/1994	Luyk	108/120

Primary Examiner—Janice E. Seeger
Attorney, Agent, or Firm—Jenkins & Gilchrist, a Profes-
sional Corp.

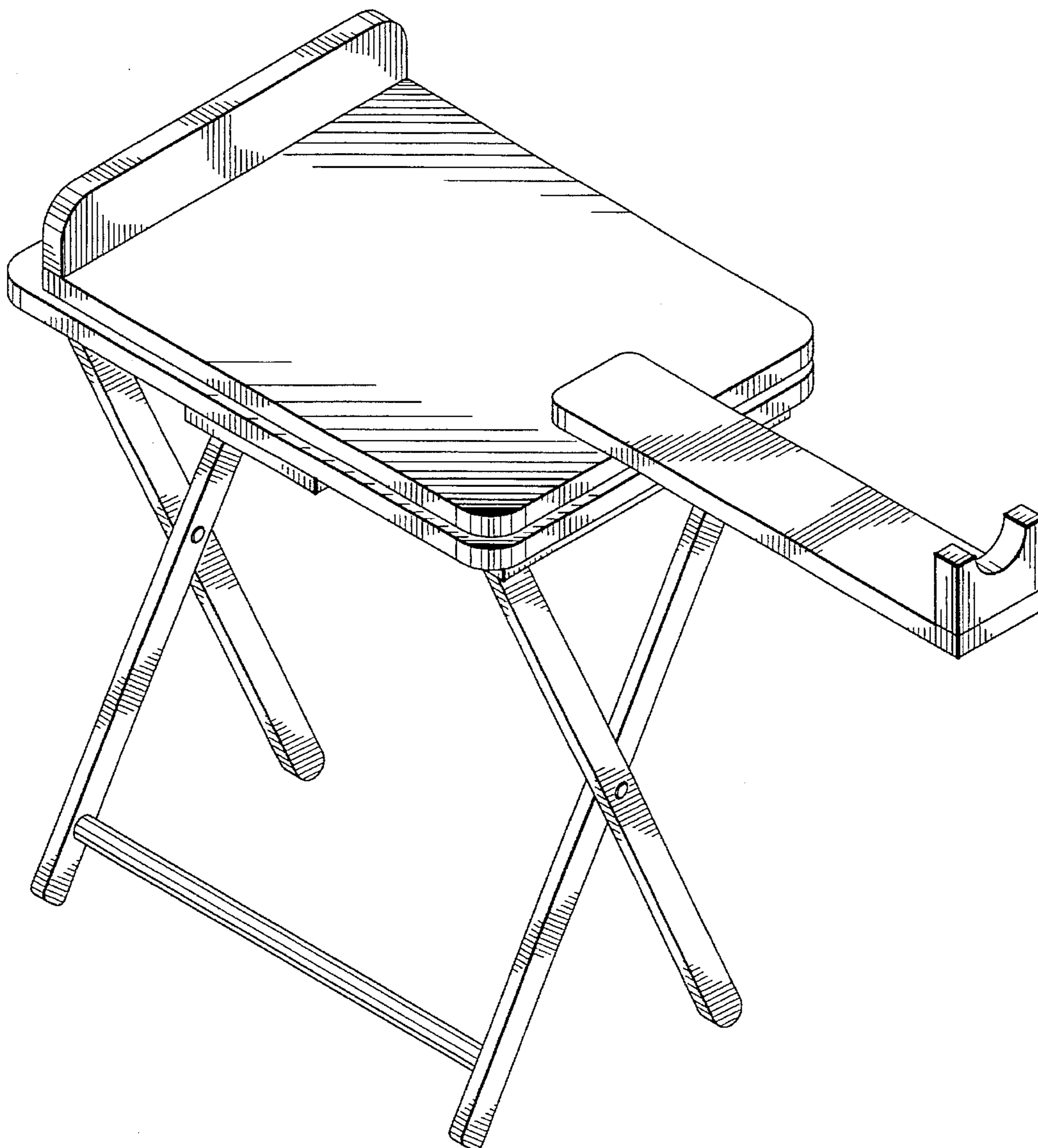
[57] **CLAIM**

The ornamental design for the guitar support table, as shown and described.

DESCRIPTION

FIG. 1 is a perspective view of the guitar support table; FIG. 2 is a side elevational view of the guitar support table taken from the right side thereof; FIG. 3 is a rear elevational view of the guitar support table; FIG. 4 is a side elevational view of the guitar support table taken from the left side thereof; FIG. 5 is a top plan view of the guitar support table; and, FIG. 6 is a bottom plan view of the guitar support table.

1 Claim, 3 Drawing Sheets



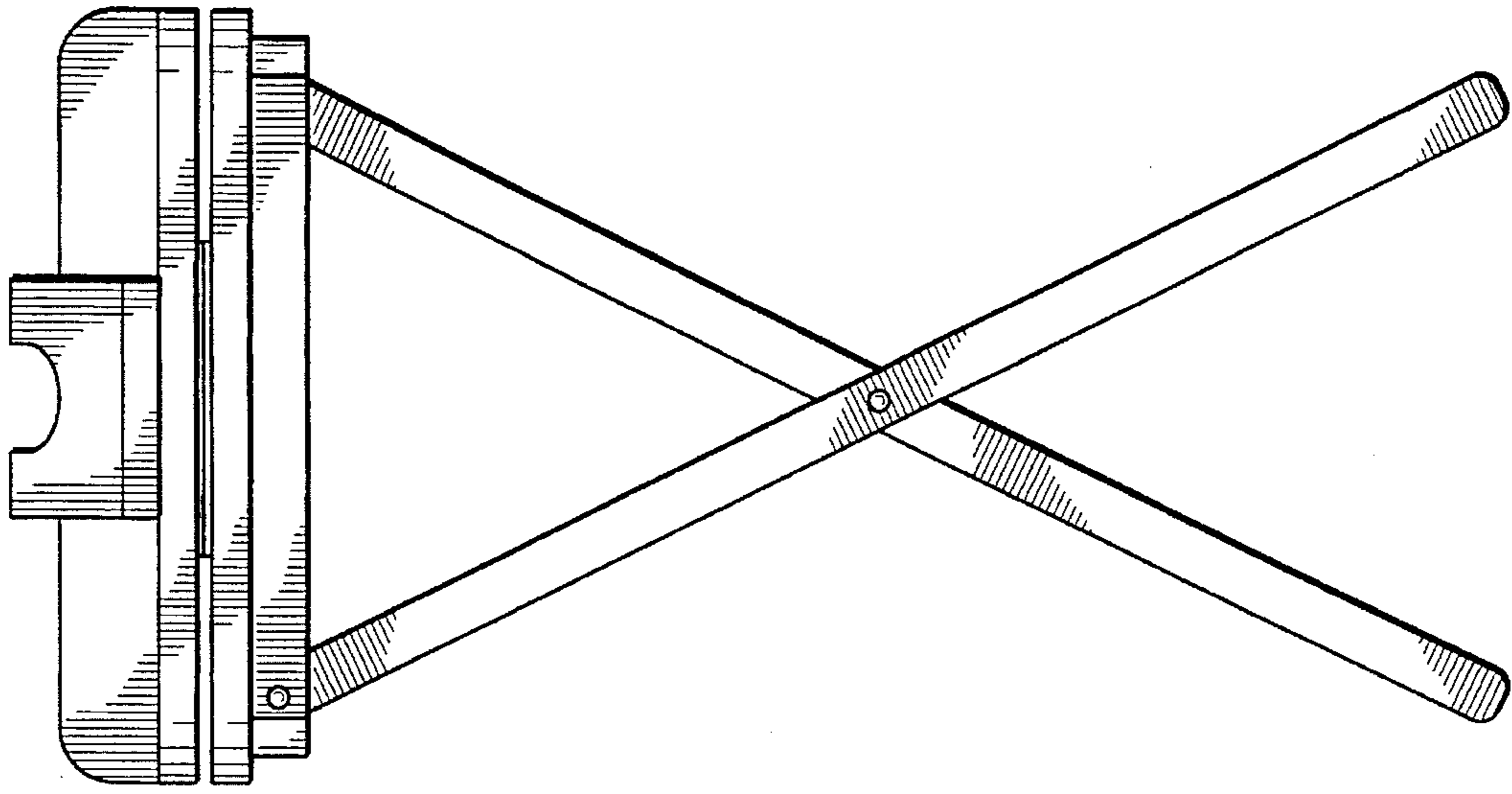


FIG. 2

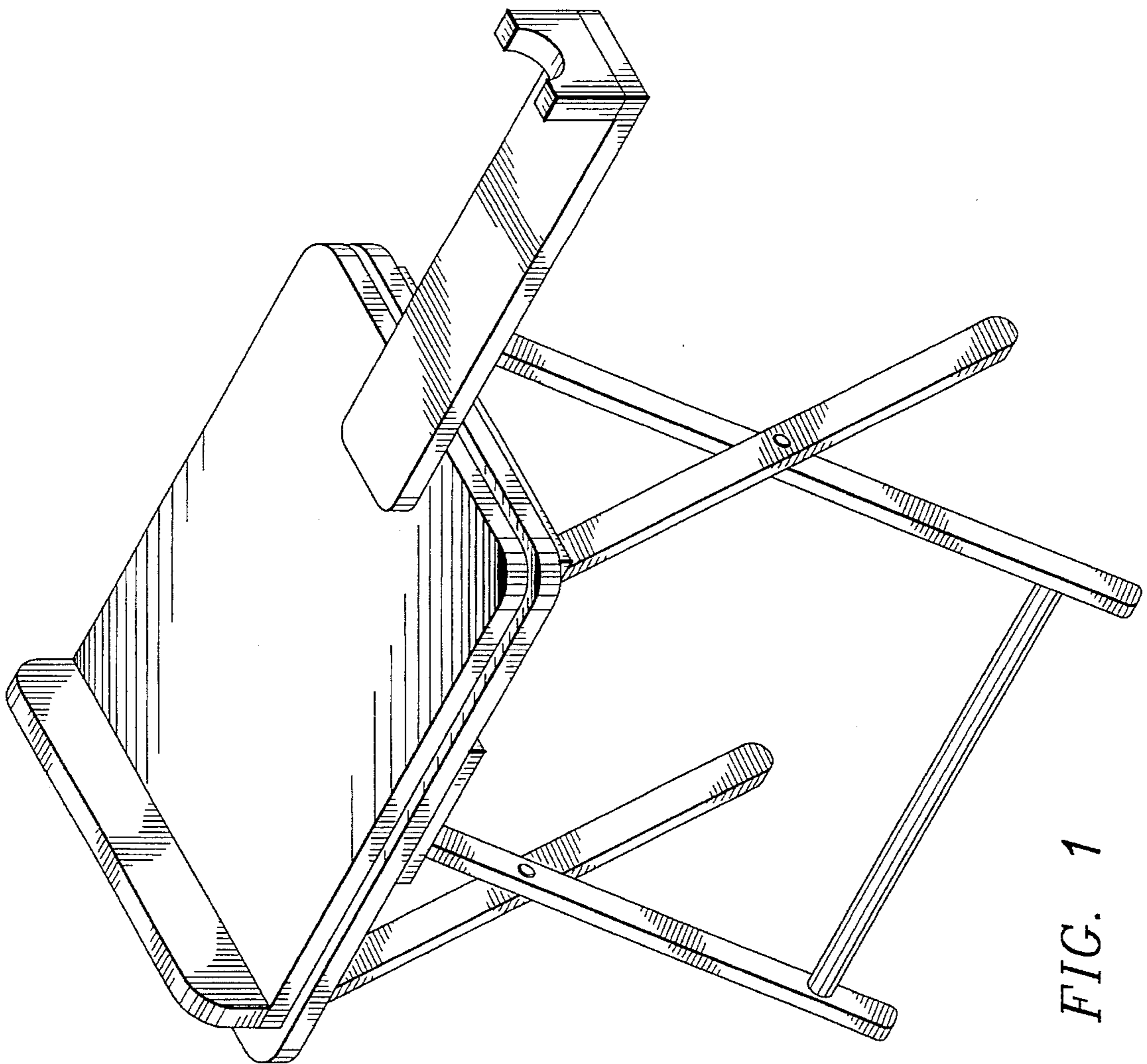


FIG. 1

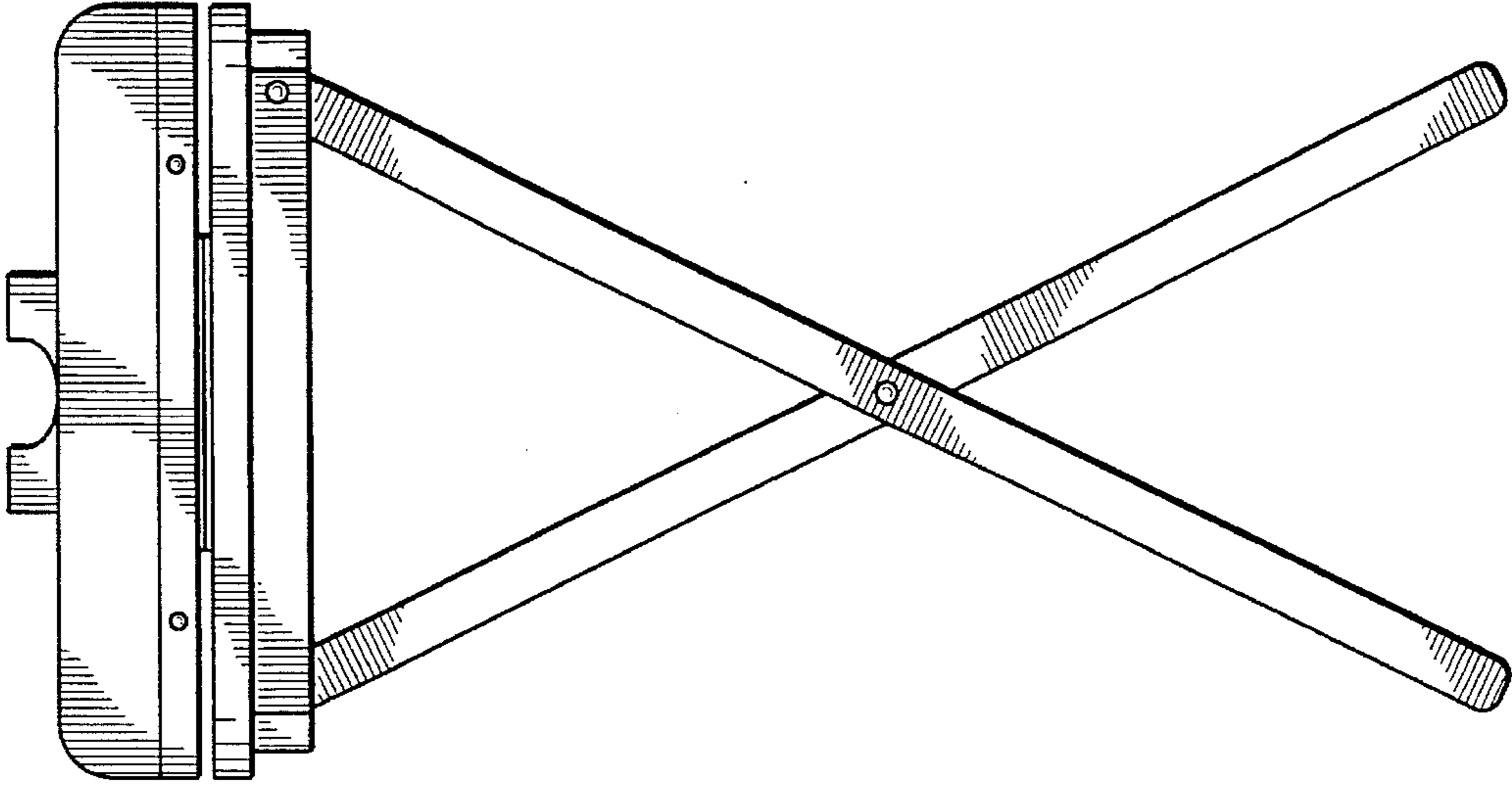


FIG. 4

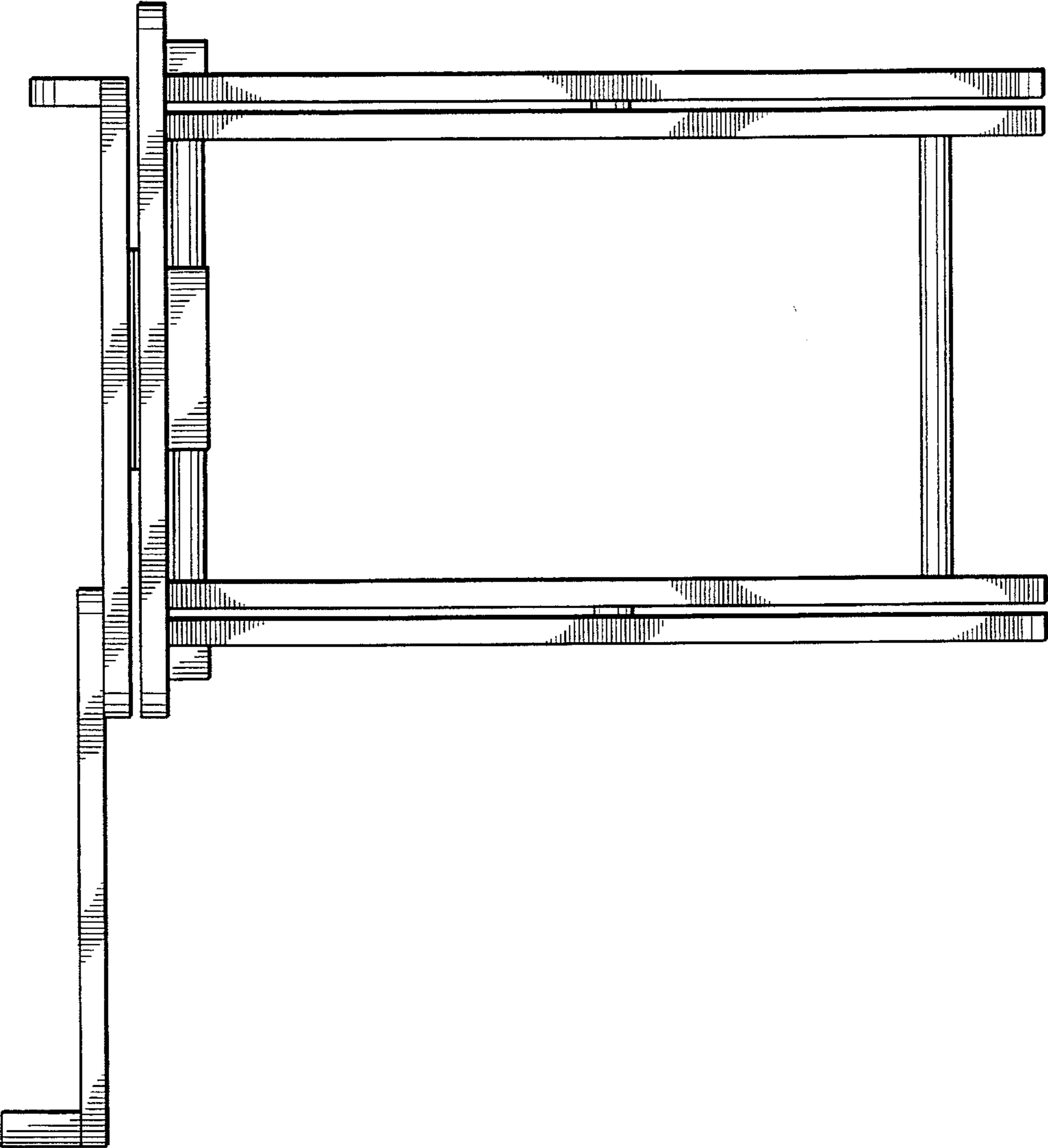


FIG. 3

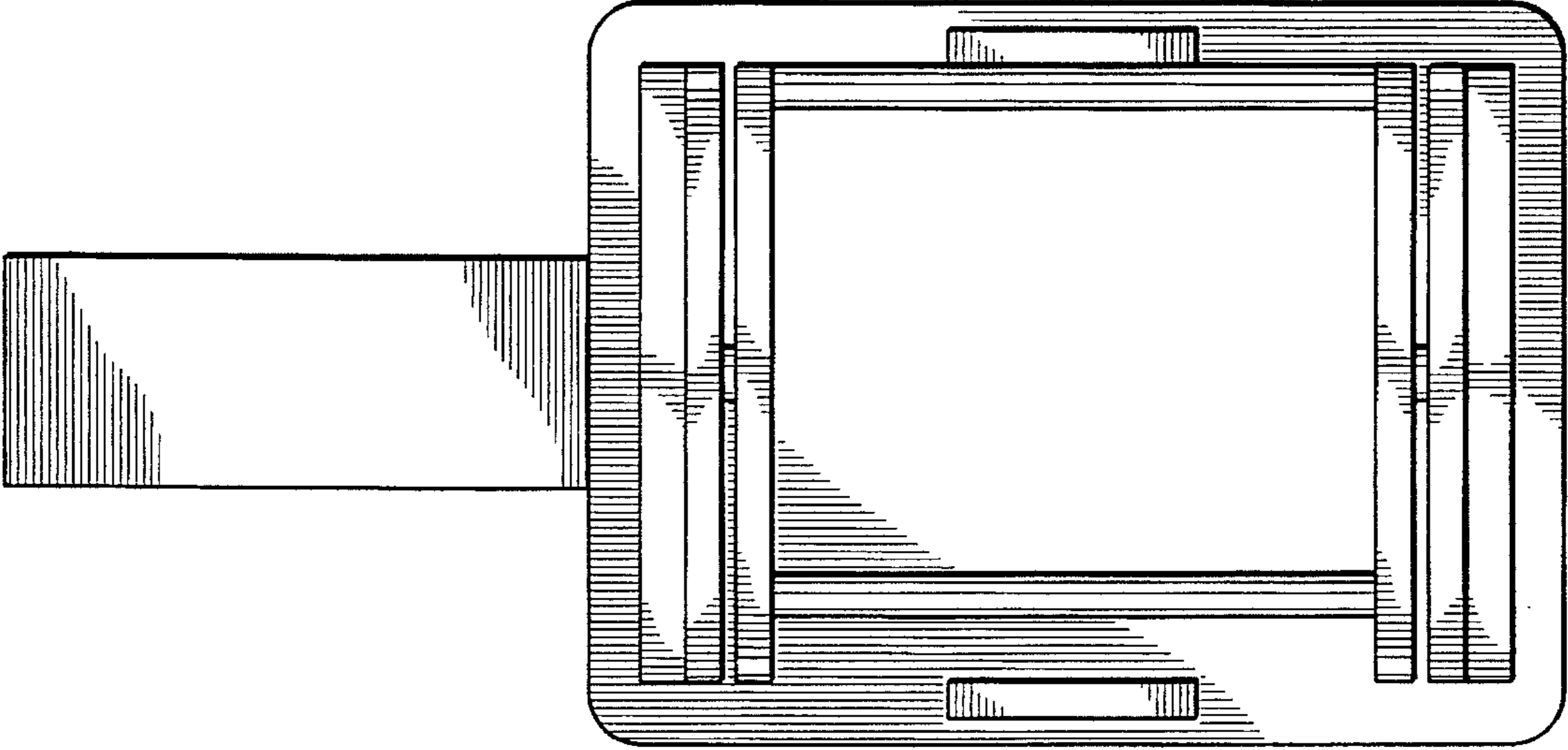


FIG. 6

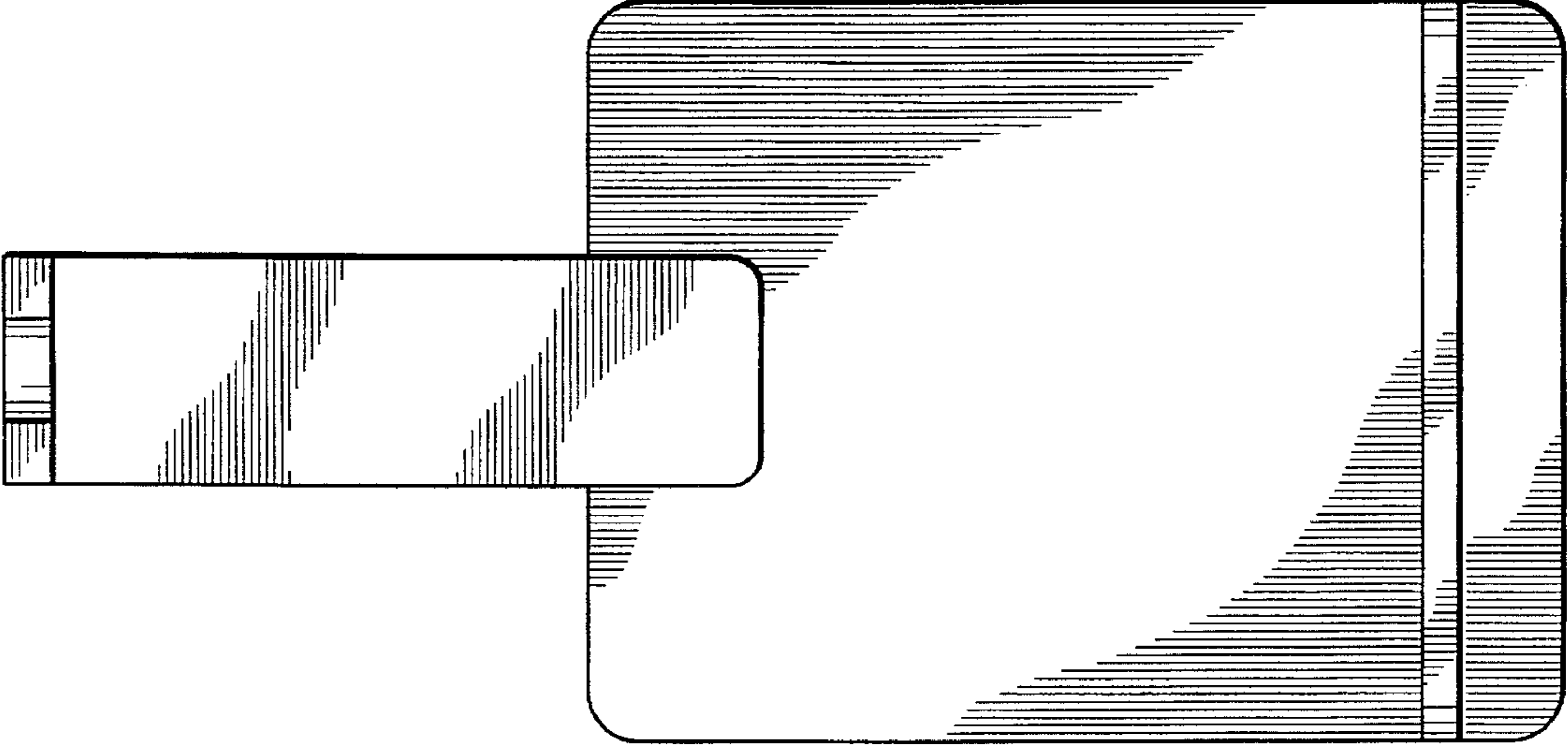


FIG. 5