



US00D378028S

United States Patent [19]

[11] Patent Number: **Des. 378,028**

Schefcik

[45] Date of Patent: ****Feb. 18, 1997**

[54] **CARDBOARD ARMCHAIR FOR CHILDREN**

4,189,181 2/1980 Noble et al. 297/452.41

[76] Inventor: **Wolfram Schefcik**, Korpitsch 37,
A-9587 Riegersdorf, Austria

Primary Examiner—Janice E. Seeger
Attorney, Agent, or Firm—Bell, Seltzer, Park & Gibson, P.A.

[**] Term: **14 Years**

[57] **CLAIM**

[21] Appl. No.: **34,287**

The ornamental design for a cardboard armchair for children, as shown and described.

[22] Filed: **Jan. 31, 1995**

DESCRIPTION

[52] U.S. Cl. **D6/334; D6/368**

[58] Field of Search **D6/334, 368, 500-502;**
297/440.12, 440.13

FIG. 1 is a front perspective view of an armchair, showing my new design;

FIG. 2 is a fragmentary view taken from circle II in FIG. 1;

FIG. 3 is a fragmentary view taken from circle III in FIG. 1;

FIG. 4 is a fragmentary view taken from circle IV in FIG. 1 ; and,

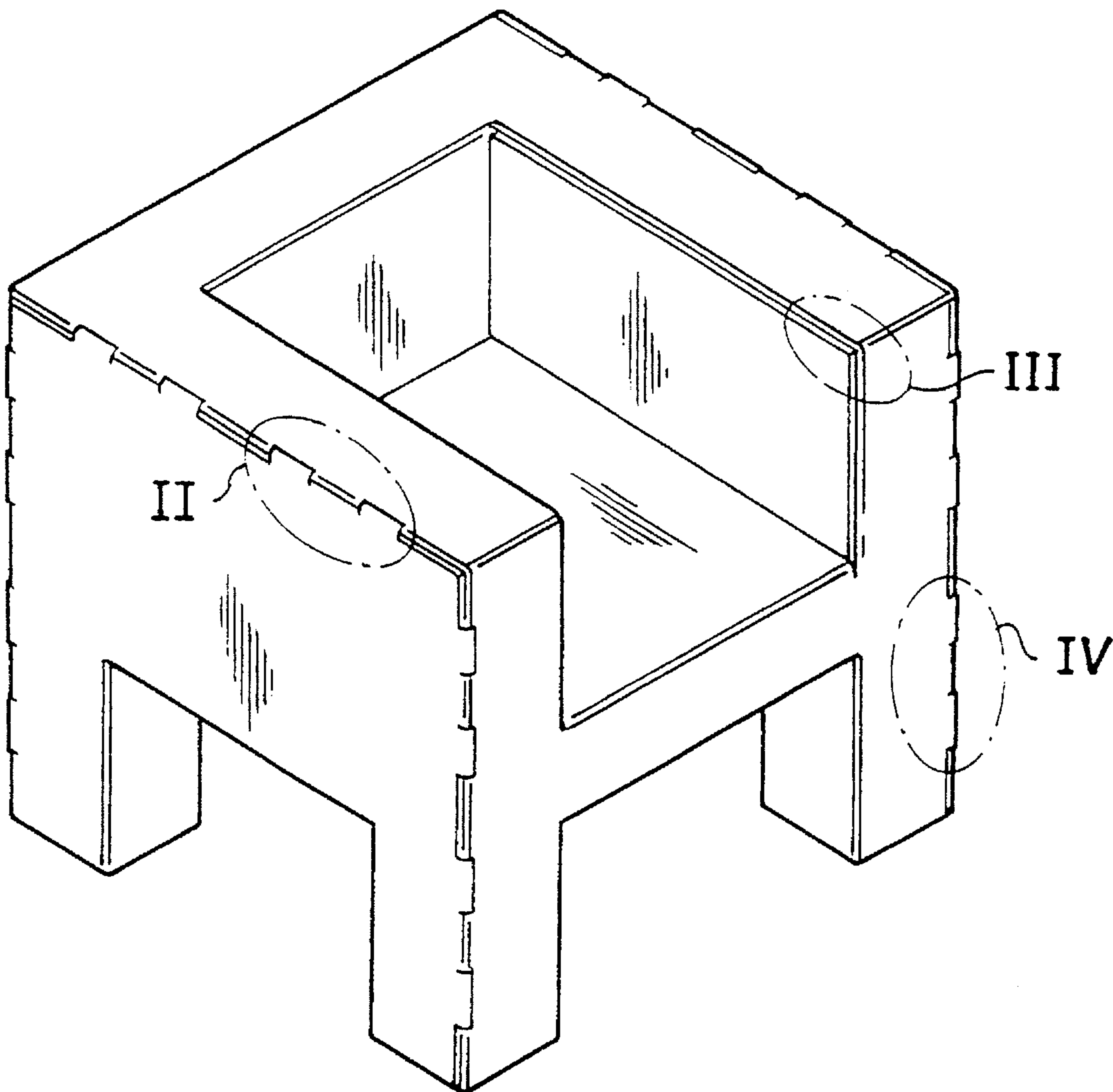
FIG. 5 is a rear perspective view thereof.

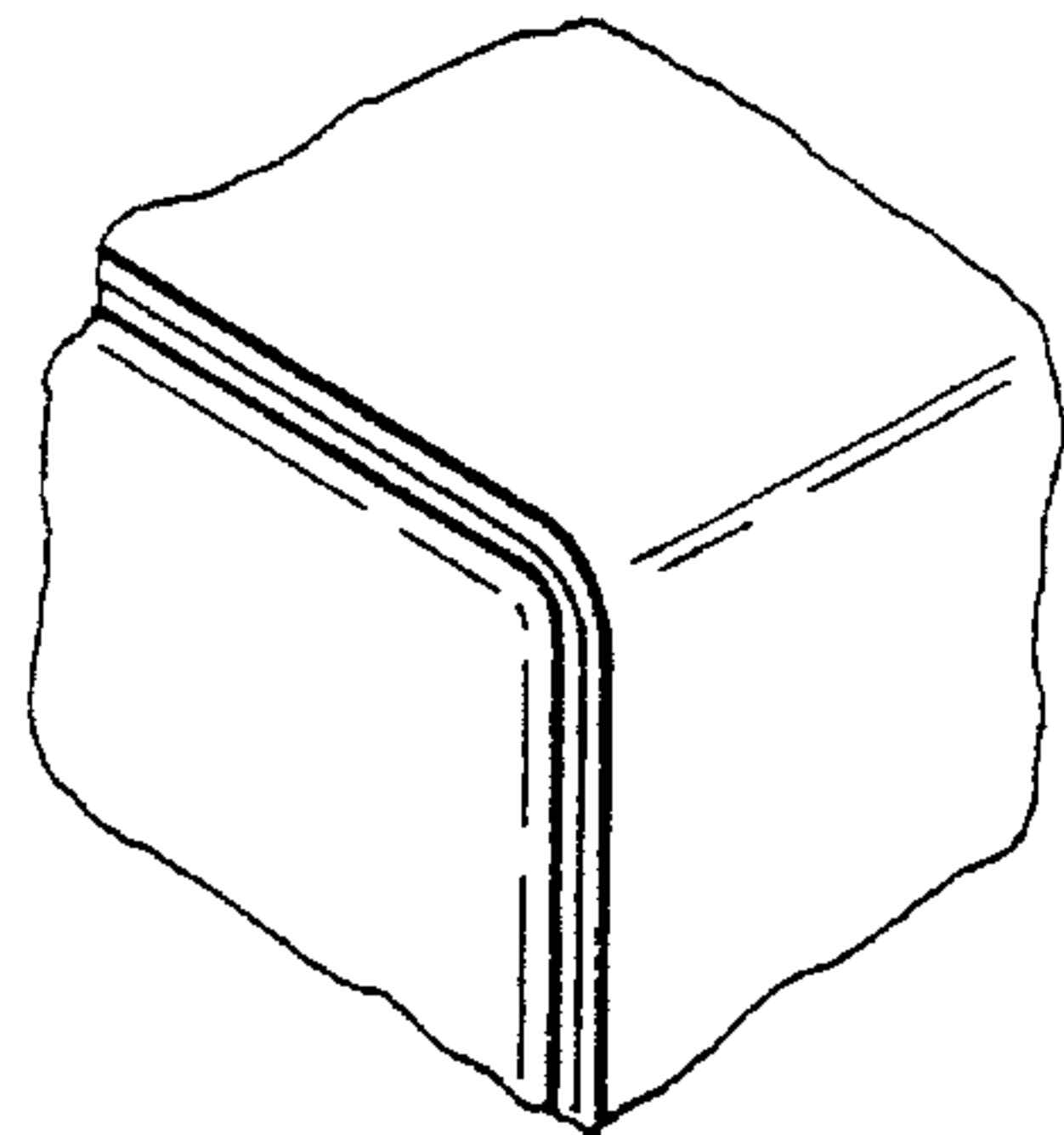
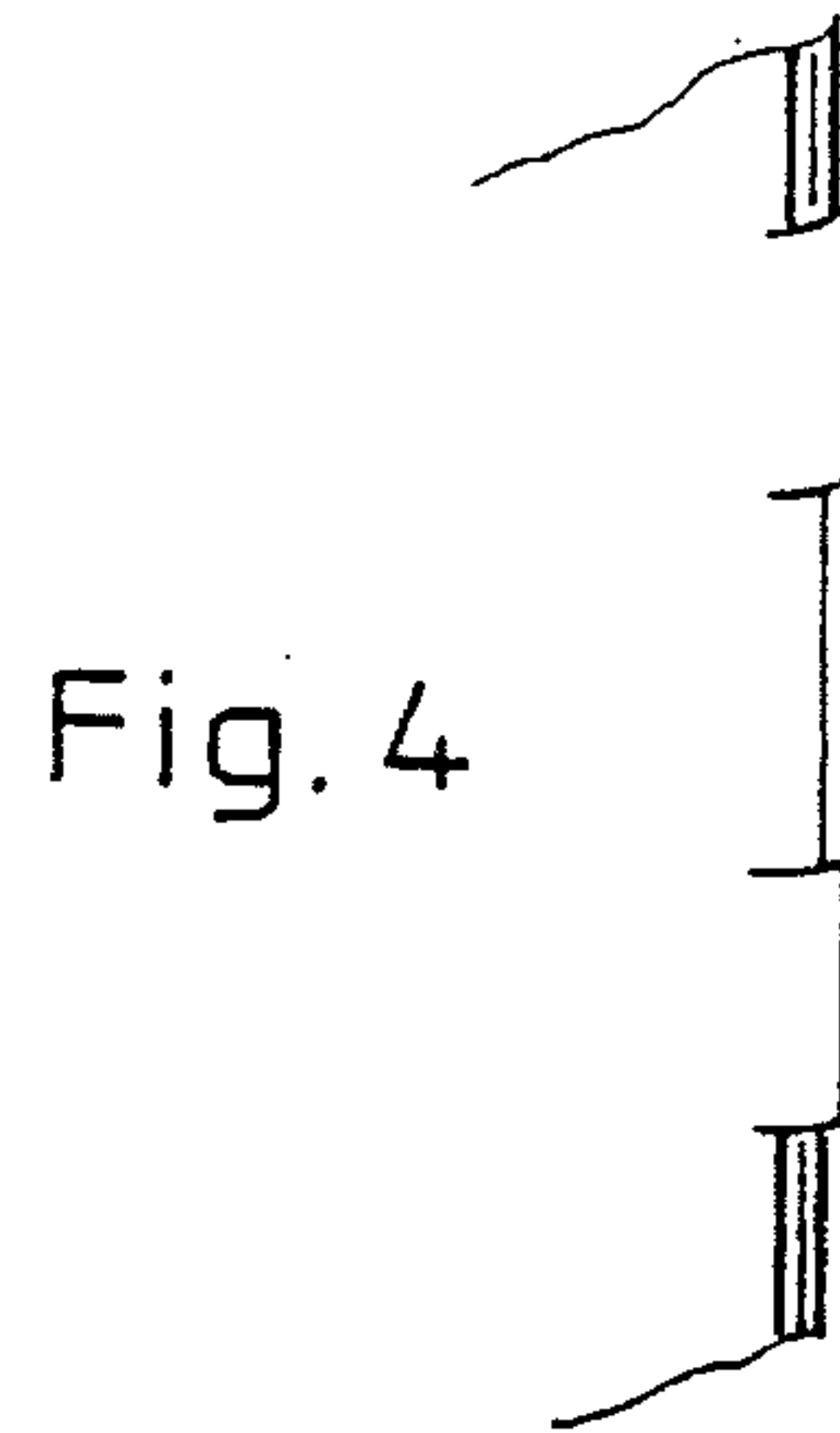
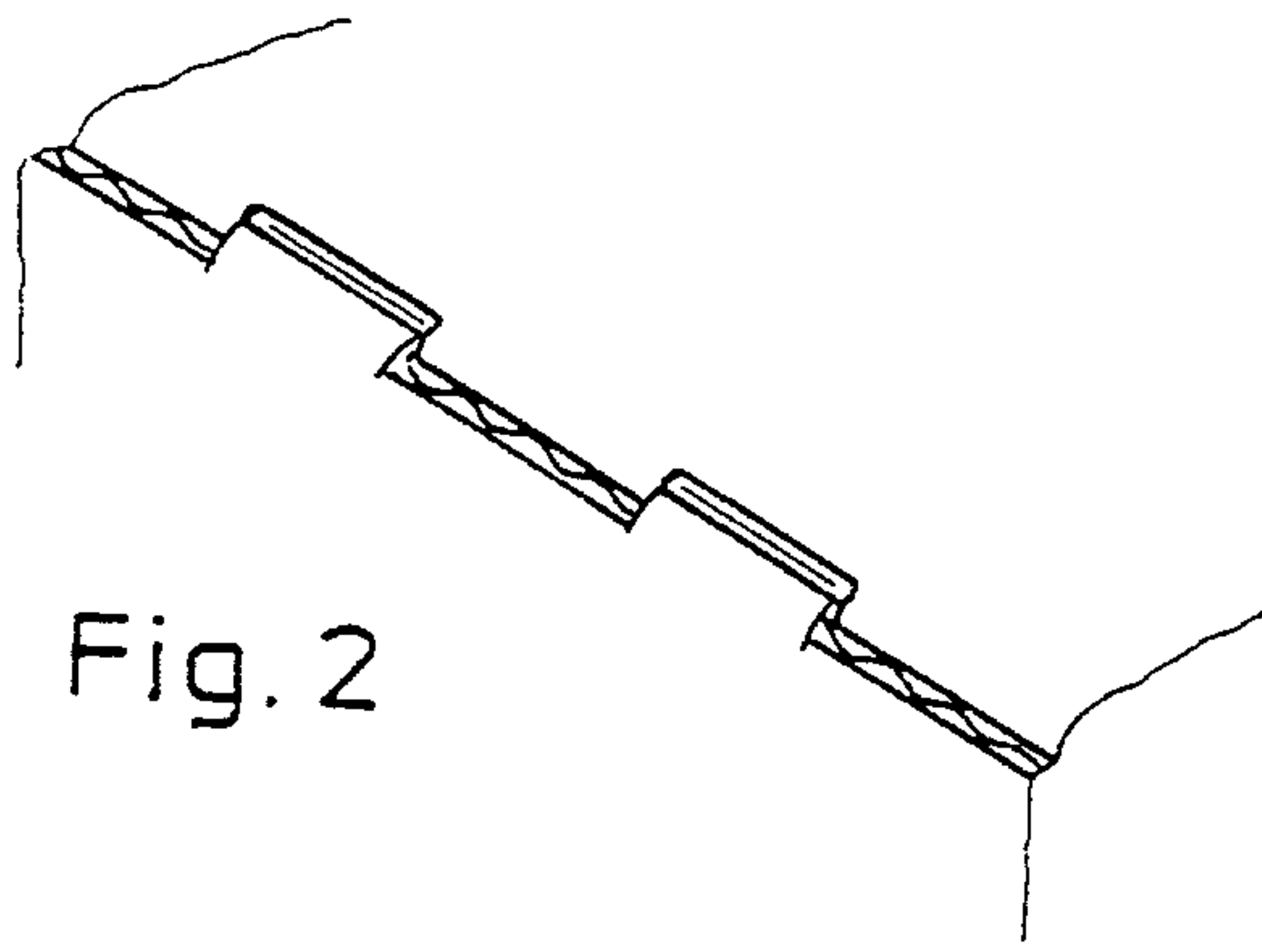
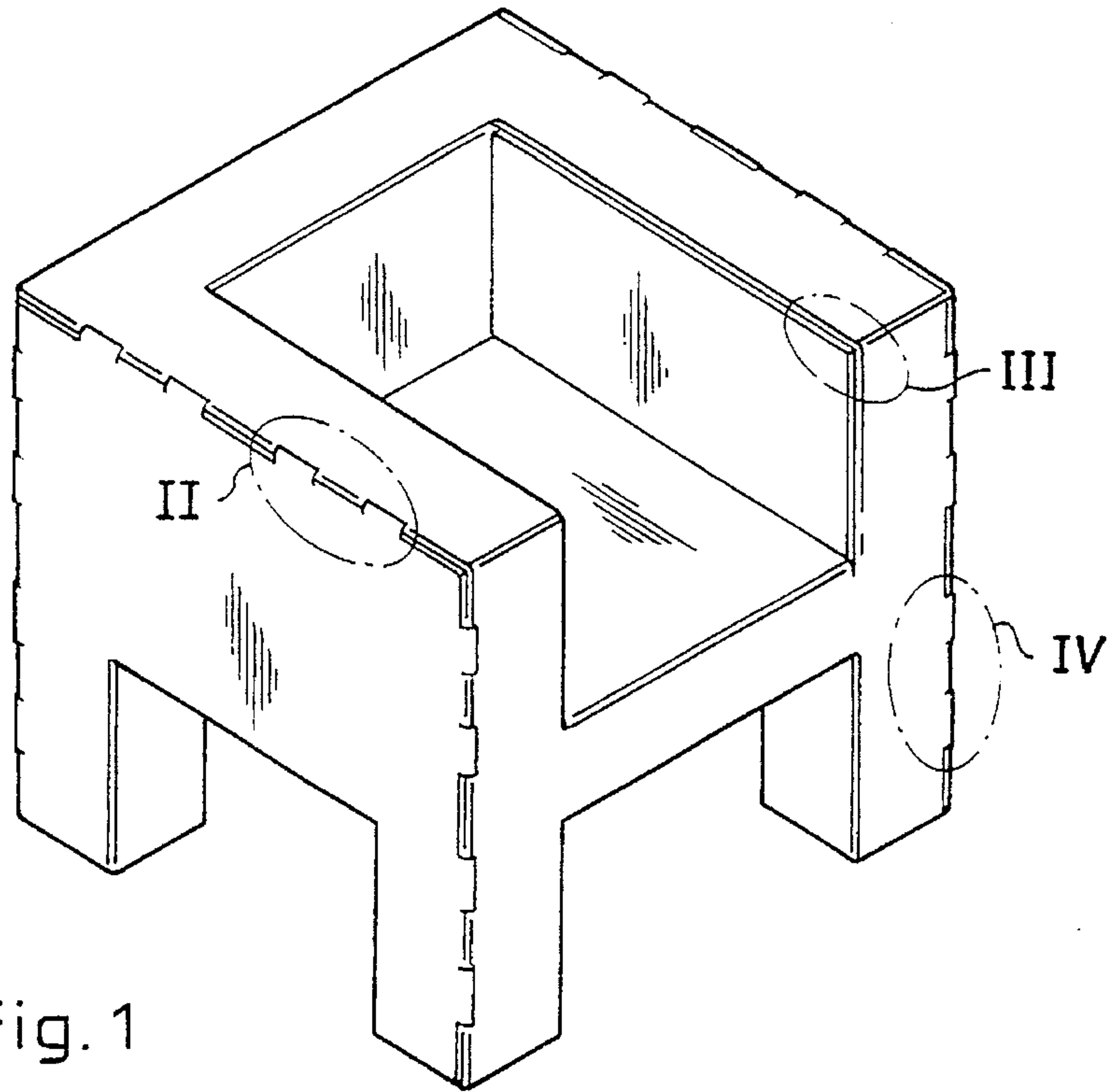
[56] **References Cited**

U.S. PATENT DOCUMENTS

D. 342,837	1/1994	Forcolini	D6/334
2,313,362	3/1943	Rous	297/440.13 X
3,312,503	4/1967	Suzuki	D6/368 X
3,438,676	4/1969	Brosk	D6/334 X

1 Claim, 2 Drawing Sheets





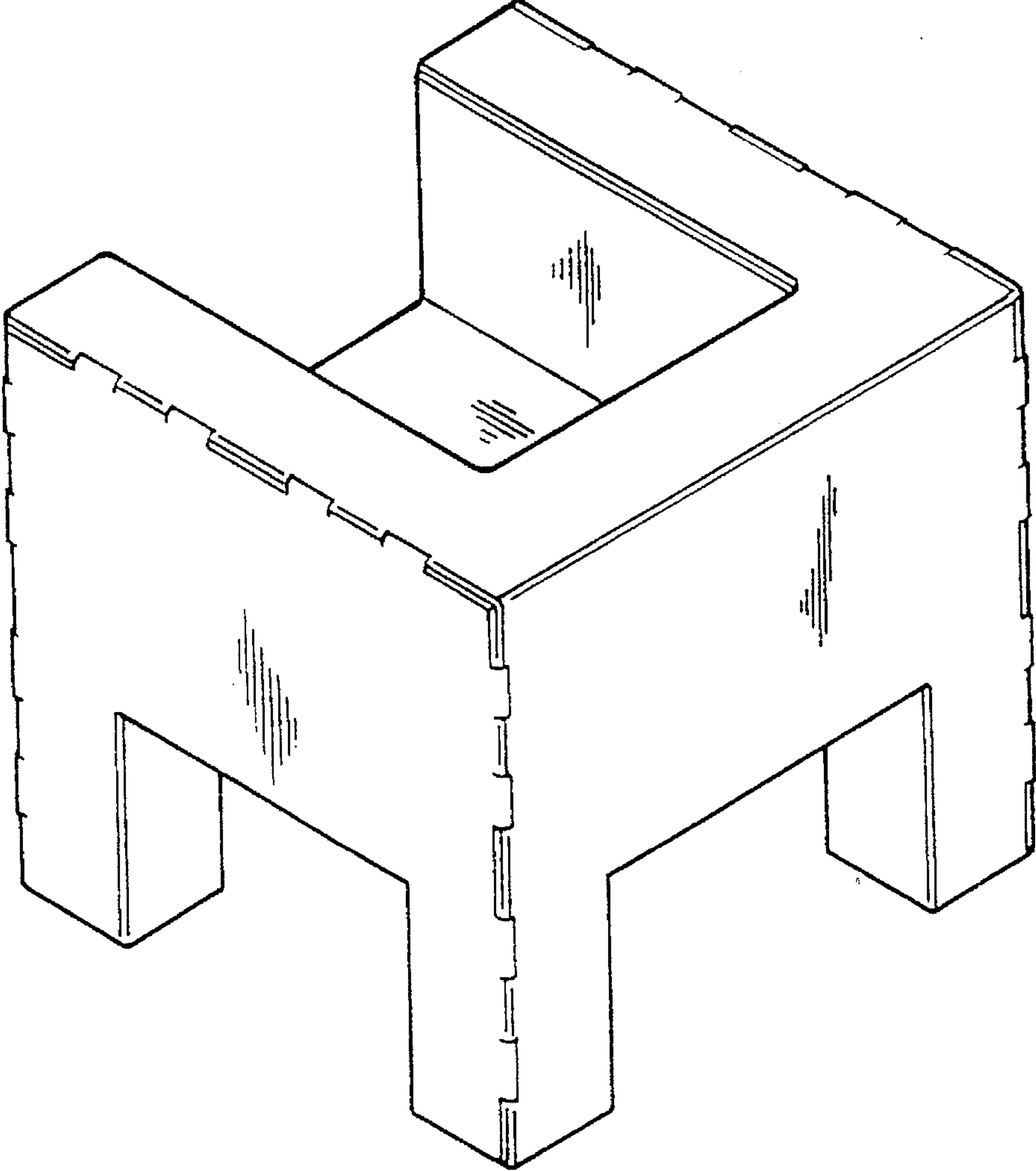


Fig. 5