



US00D378025S

United States Patent [19]

Perelli

[11] Patent Number: **Des. 378,025**

[45] Date of Patent: ****Feb. 18, 1997**

[54] LID

[75] Inventor: **Thomas Perelli**, Winchester, Va.

[73] Assignee: **Rubbermaid Office Products Inc.**,
Maryville, Tenn.

[**] Term: **14 Years**

[21] Appl. No.: **43,424**

[22] Filed: **Sep. 5, 1995**

[52] U.S. Cl. **D3/323; D3/318**

[58] Field of Search D3/318, 201, 273,
D3/274, 319, 321, 272, 323; D7/387, 391,
629; D9/424, 434, 435, 414; 220/349, 352,
345, 306

D. 339,471 9/1993 Maple et al. D7/605
 D. 355,765 2/1995 Miller D3/318
 3,987,829 10/1976 Leone 220/352
 4,502,610 3/1985 Todd 220/349

Primary Examiner—Philip S. Hyder
Attorney, Agent, or Firm—Richard B. O’Planick; Lisa B. Riedesel

[57] CLAIM

The ornamental design for a lid, as shown and described.

DESCRIPTION

FIG. 1 is a top right front perspective view of a lid showing my new design;
 FIG. 2 is a top plan view thereof;
 FIG. 3 is a front elevational view thereof, the rear elevational view being a mirror image;
 FIG. 4 is a right side elevational view thereof; the left side elevational view being a mirror image; and,
 FIG. 5 is a bottom plan view thereof.

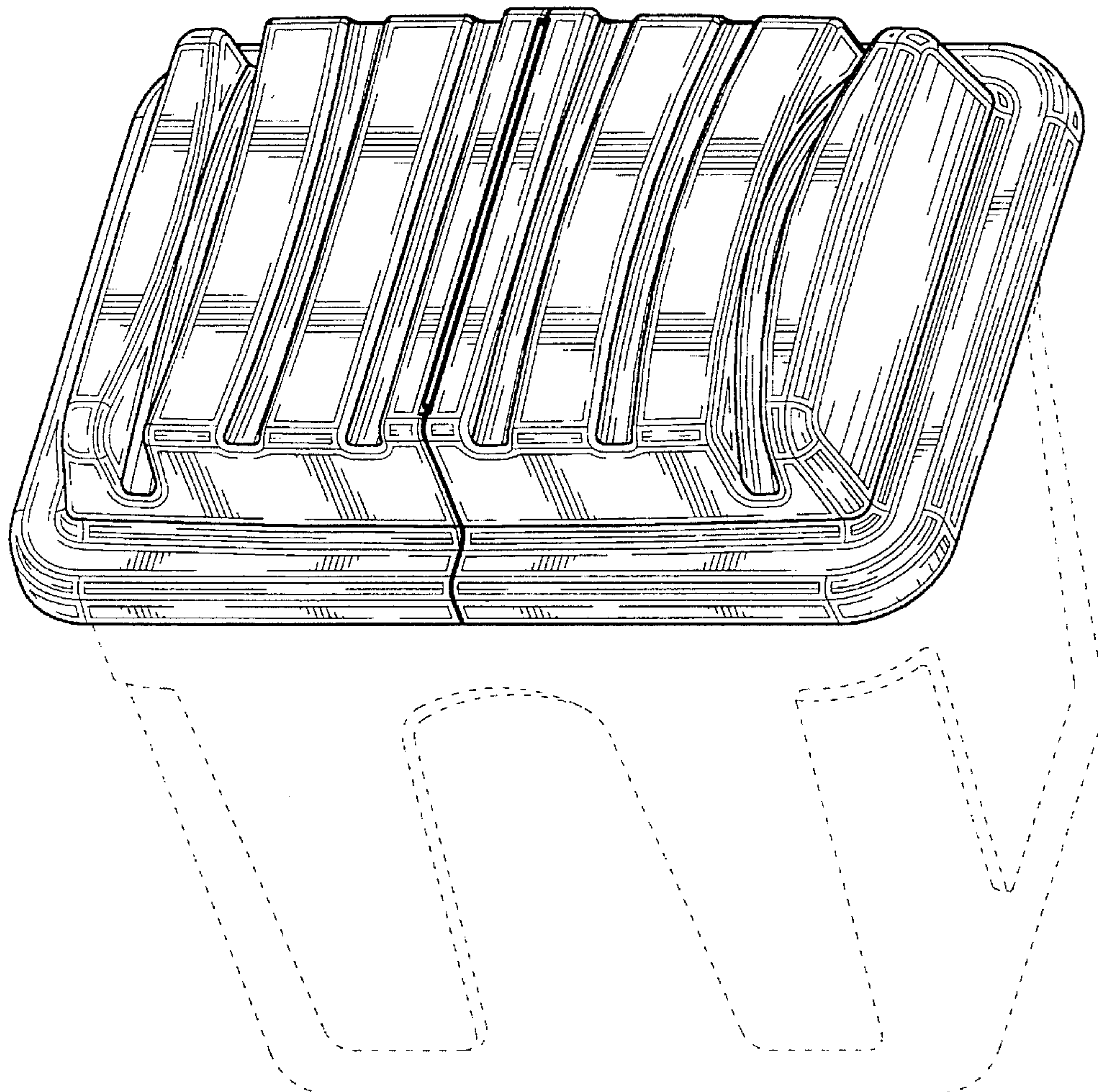
The broken line showing of the container in FIG. 1 is for illustrative purposes only and forms no part of the claimed design.

[56] References Cited

U.S. PATENT DOCUMENTS

D. 319,016	8/1991	Kahl	D9/424
D. 327,646	7/1992	Hardigg et al.	D9/424
D. 328,425	8/1992	Brightbill	D9/424
D. 329,747	9/1992	Embree	D3/272
D. 334,453	3/1993	Koloski	D9/424
D. 334,662	4/1993	Van Berne	D3/272

1 Claim, 5 Drawing Sheets



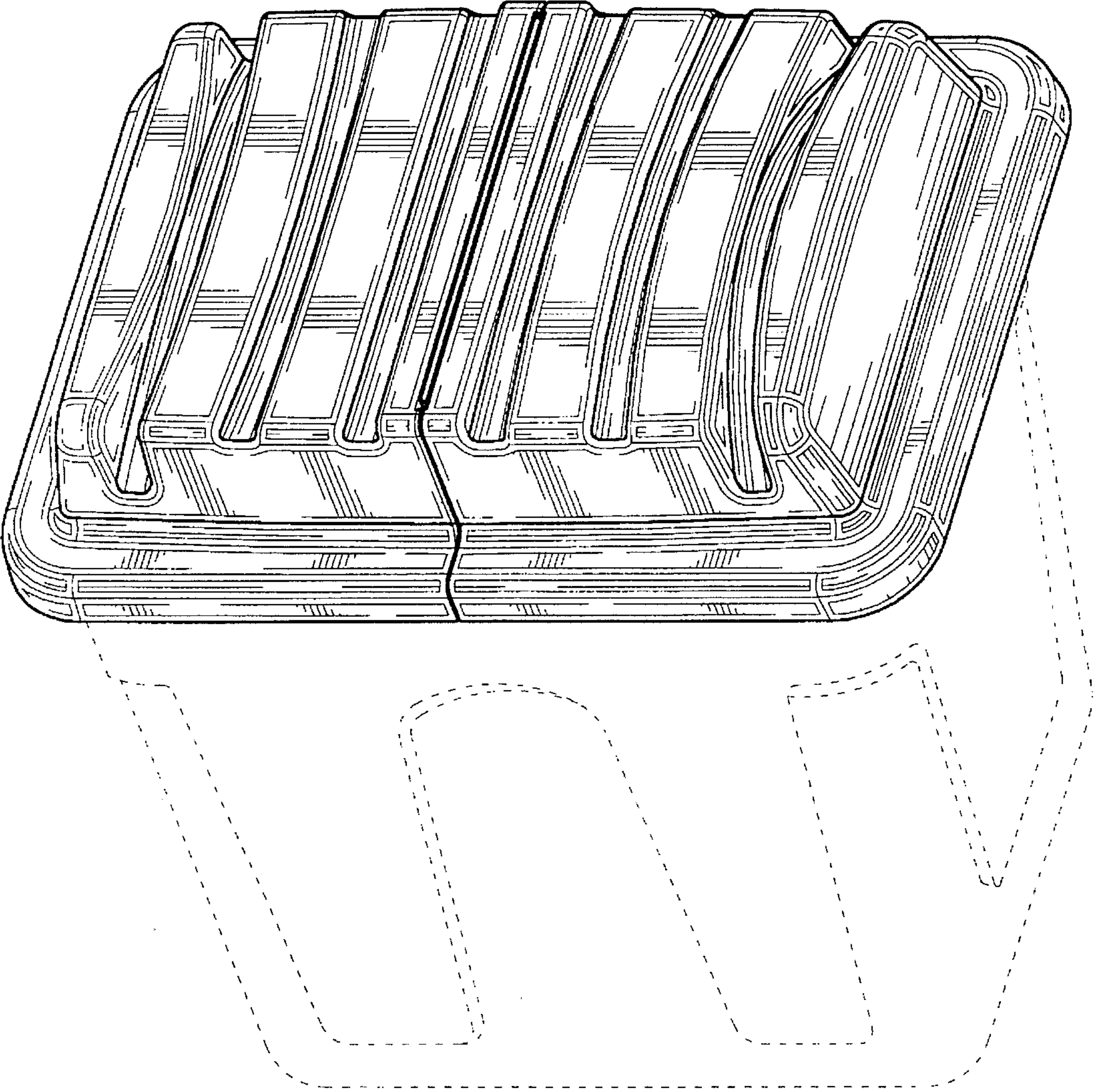
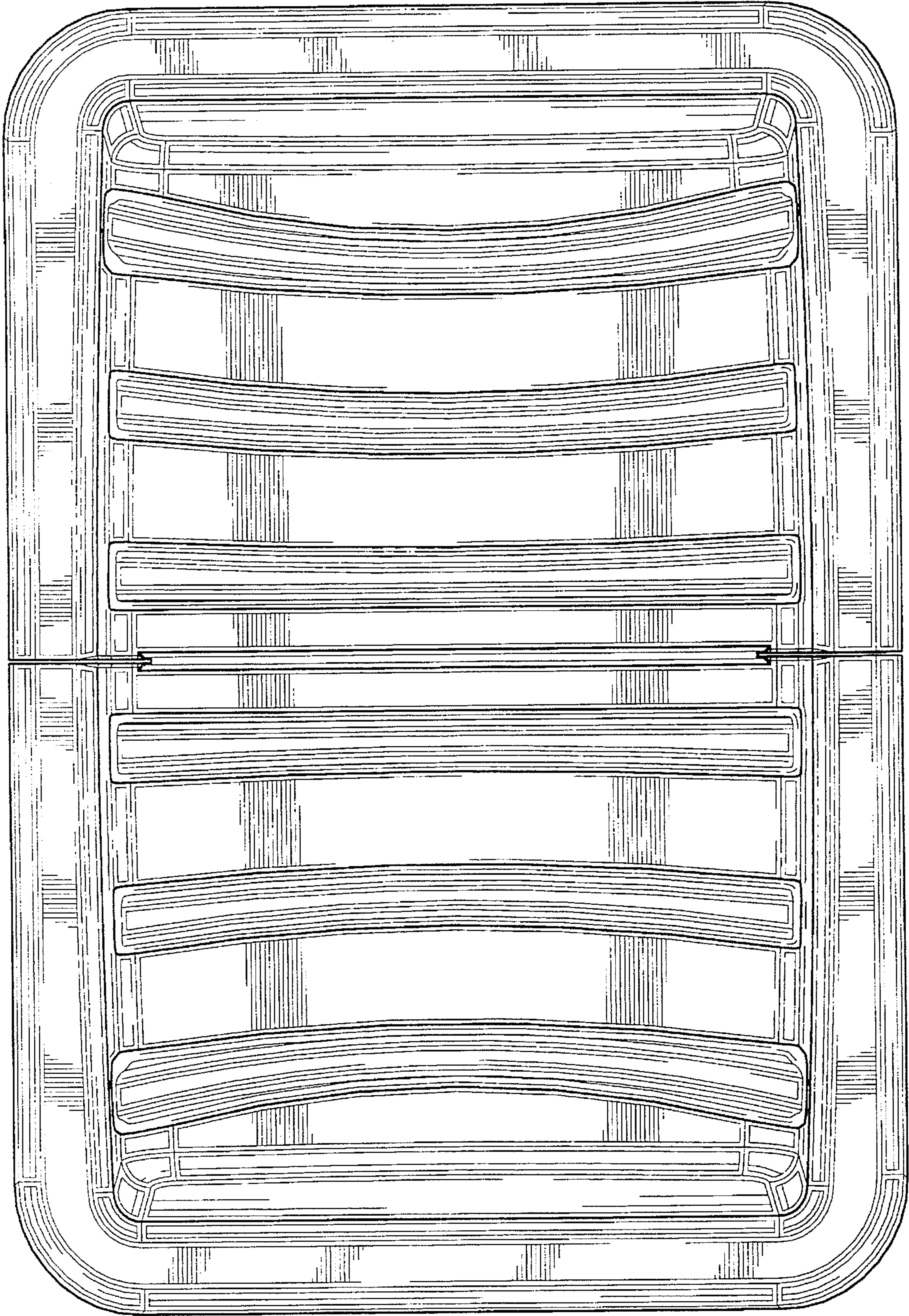


FIG. 1

FIG. 2



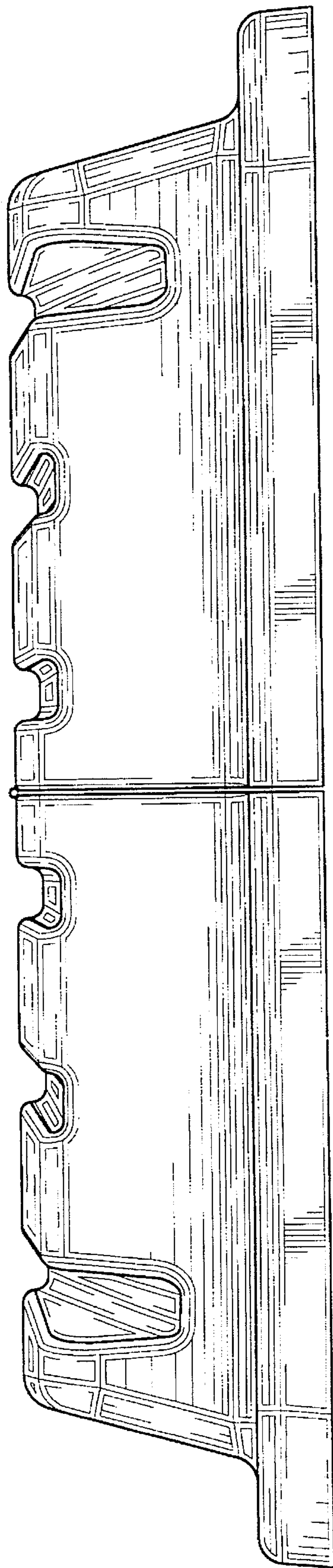


FIG. 3

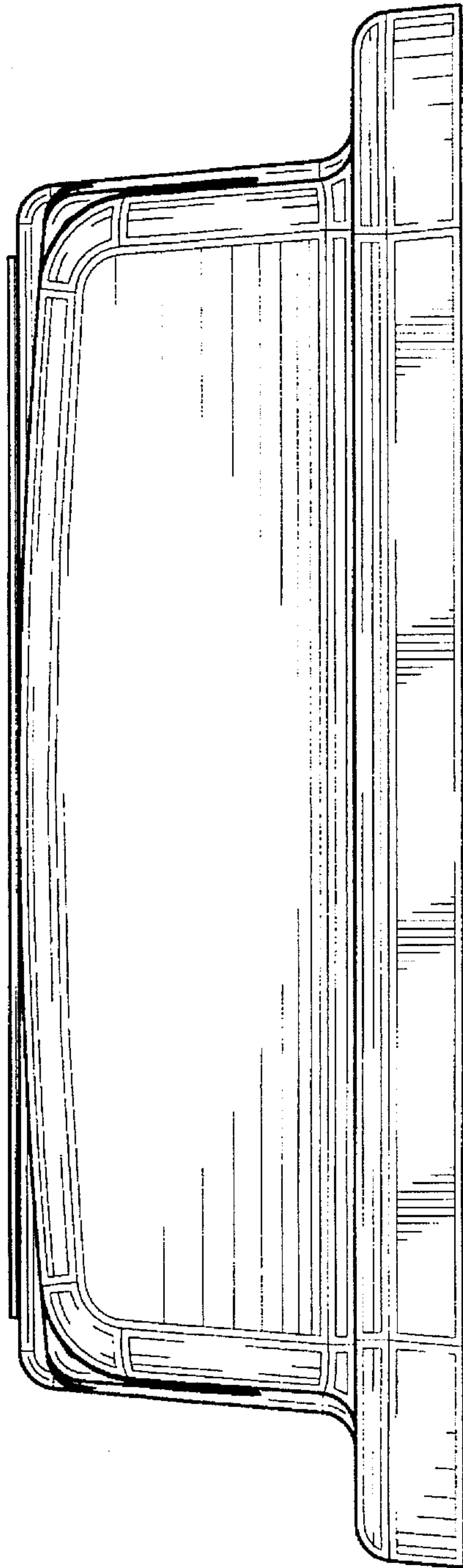


FIG. 4

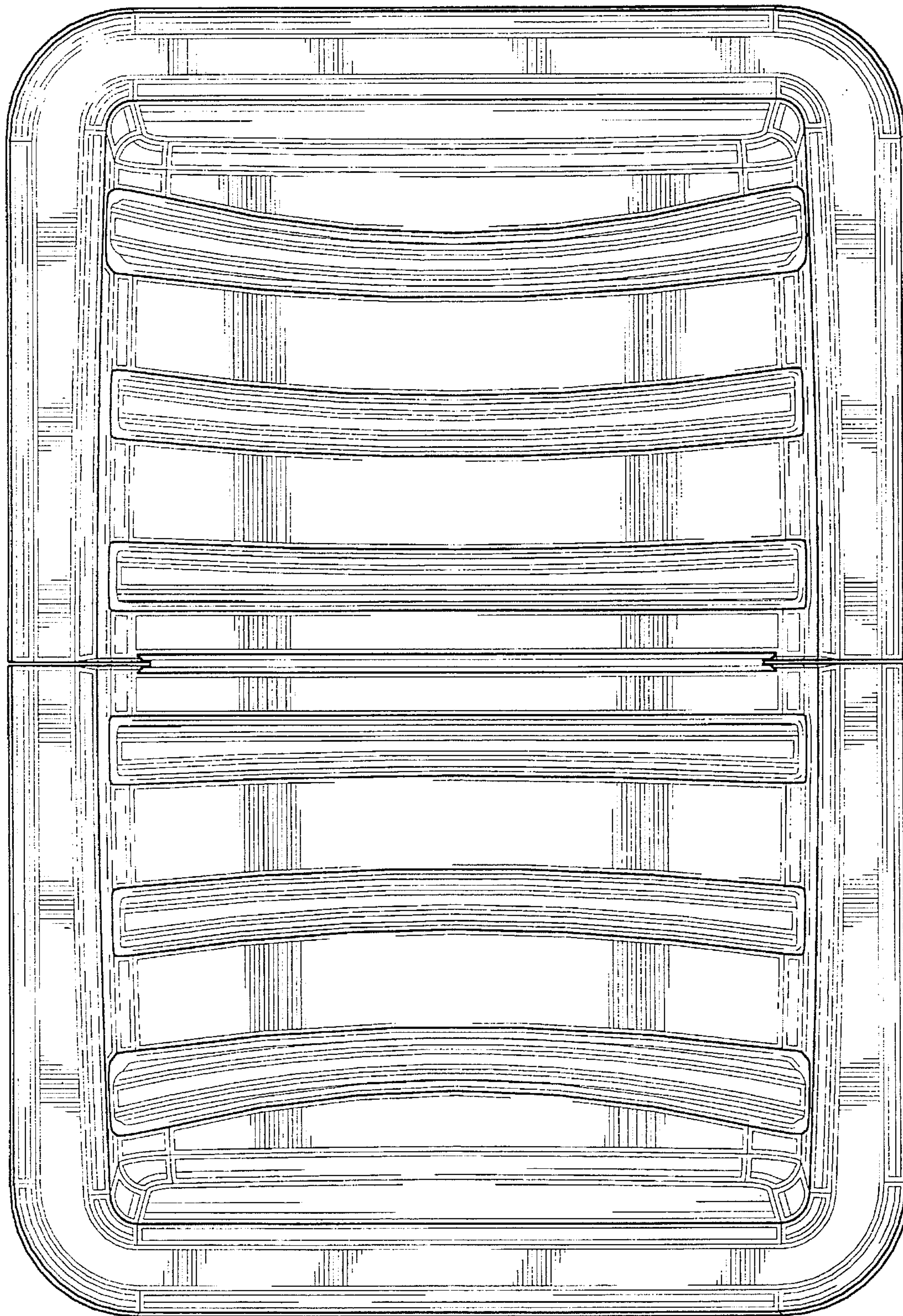


FIG. 5