



US00D378021S

United States Patent [19]

[11] Patent Number: **Des. 378,021**

Kosmos

[45] Date of Patent: ****Feb. 18, 1997**

[54] **PURSE WITH GARMENT FRONT AND SLEEVE TIES**

Attorney, Agent, or Firm—Flehr, Hohbach, Test, Albritton & Herbert

[76] Inventor: **Kristan L. Kosmos**, 200 W. 20th St., Apt. 315, New York, N.Y. 10011

[57] **CLAIM**

[**] Term: **14 Years**

The ornamental design for a purse with garment front and sleeve ties, as shown and described.

[21] Appl. No.: **49,467**

DESCRIPTION

[22] Filed: **Jan. 25, 1996**

[52] U.S. Cl. **D3/226**

[58] Field of Search D3/226, 233, 234, D3/236, 238, 217; 224/637, 660, 664, 674, 677

FIG. 1 is a top perspective view of a purse with garment front and sleeve ties showing my new design, it being understood that the phantom lines are to illustrate its use only and form no part of the claimed design;

FIG. 2 is a top perspective view of the opposite side of FIG. 1.

FIG. 3 is a front elevation view thereof;

FIG. 4 is a top plan view thereof;

FIG. 5 is a rear elevation view thereof;

FIG. 6 is an enlarged, fragmentary, top plan view thereof;

FIG. 7 is an enlarged, fragmentary, bottom plan view thereof; and,

FIG. 8 is an enlarged side elevation view thereof with the other side being a mirror image.

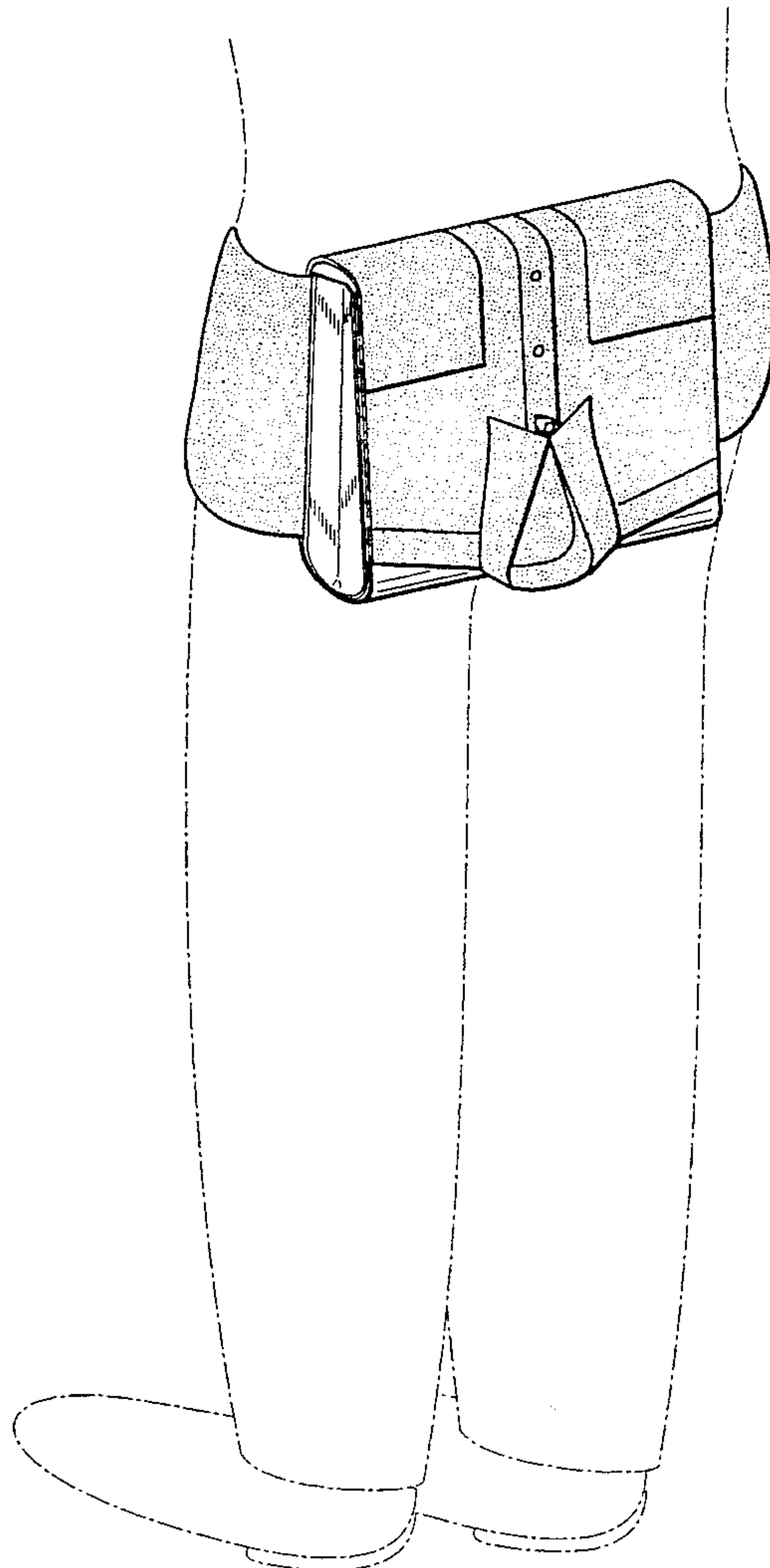
[56] **References Cited**

U.S. PATENT DOCUMENTS

D. 267,051	11/1982	Tucker	D3/238
D. 320,501	10/1991	Marks	D3/217
D. 329,021	9/1992	Robbins	D3/226 X
D. 362,960	10/1995	Stein	D3/234 X
5,367,713	11/1994	McCallum	224/677 X

Primary Examiner—Doris V. Coles
Assistant Examiner—Catherine R. Oliver

1 Claim, 4 Drawing Sheets



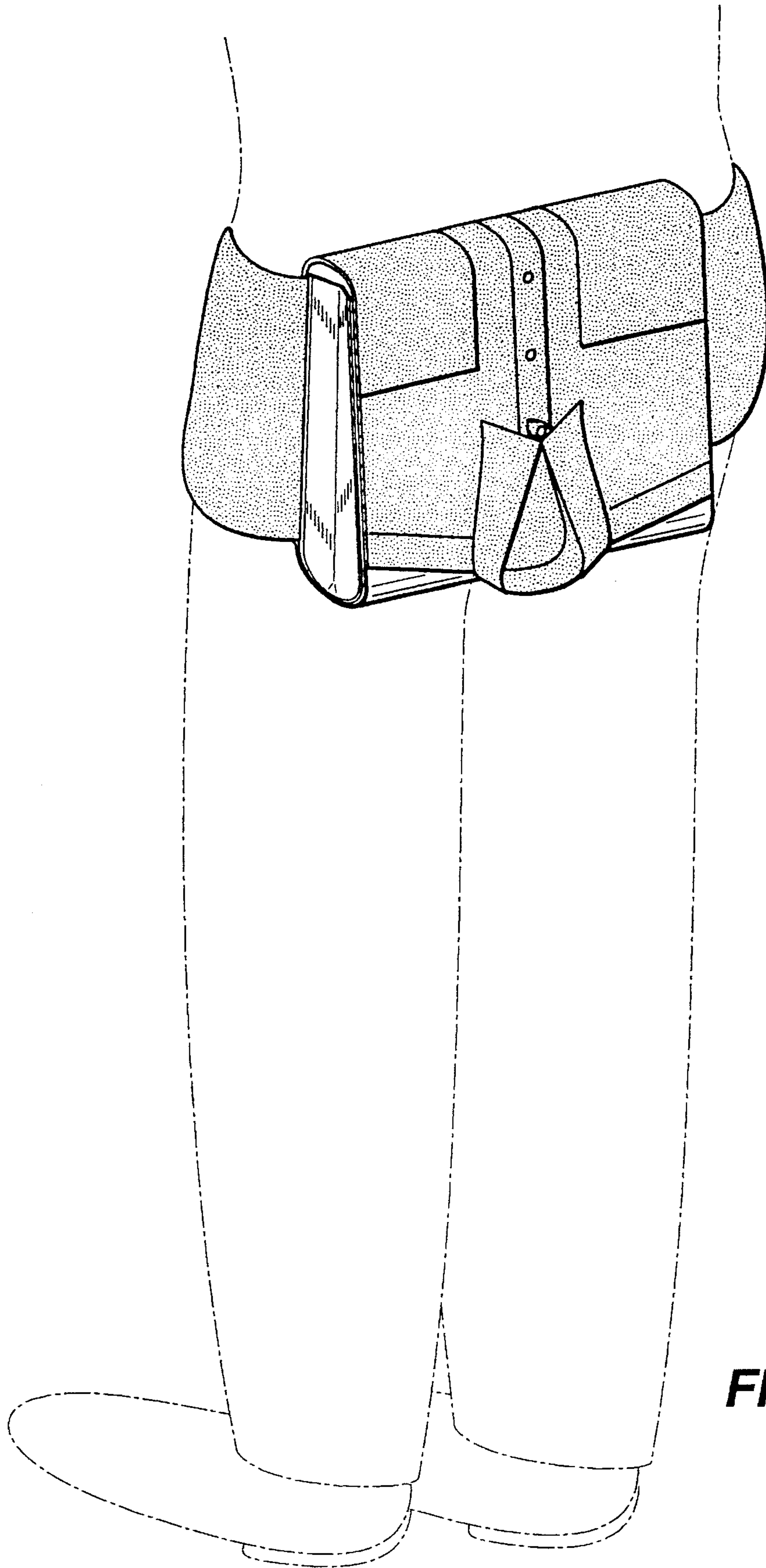


FIG. 1

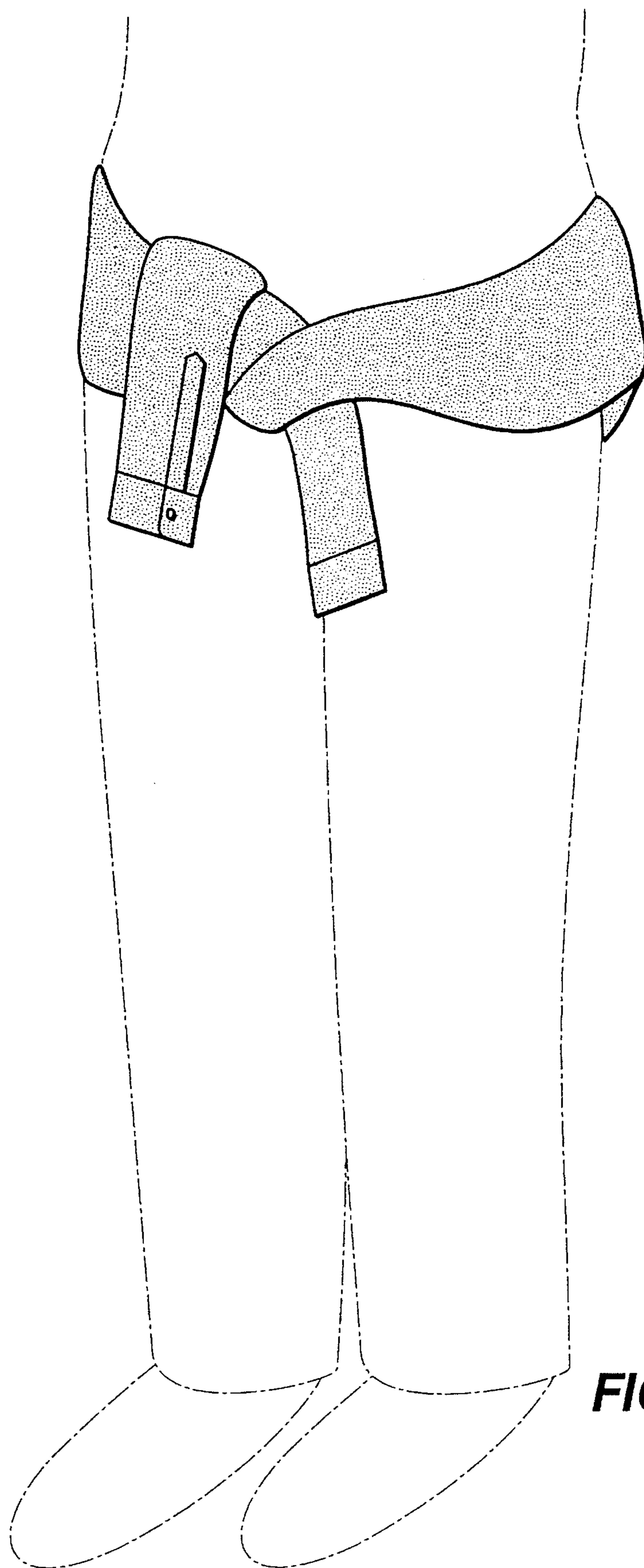


FIG._2

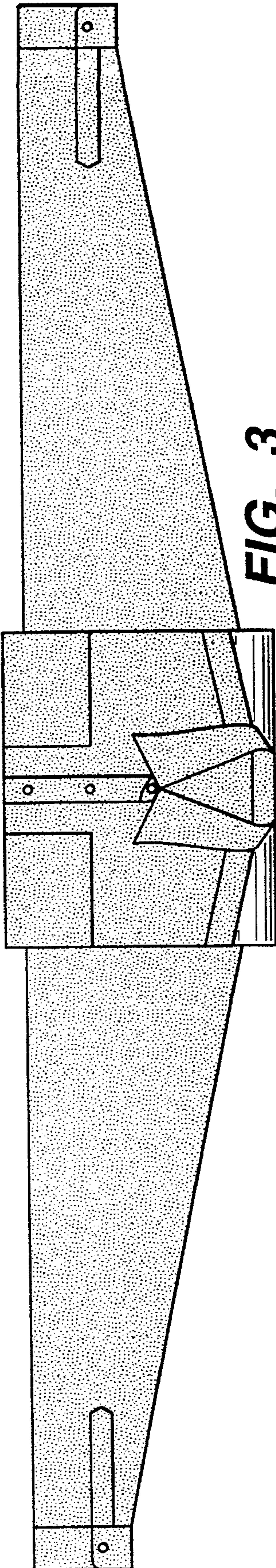


FIG. 3

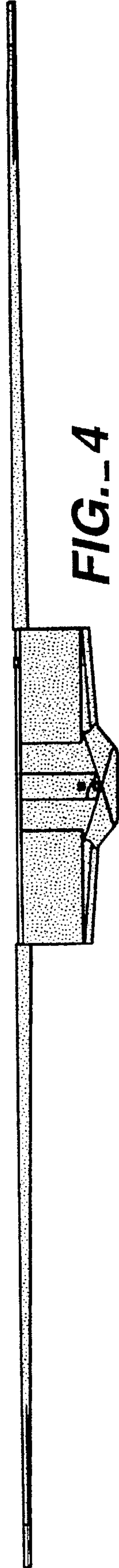


FIG. 4

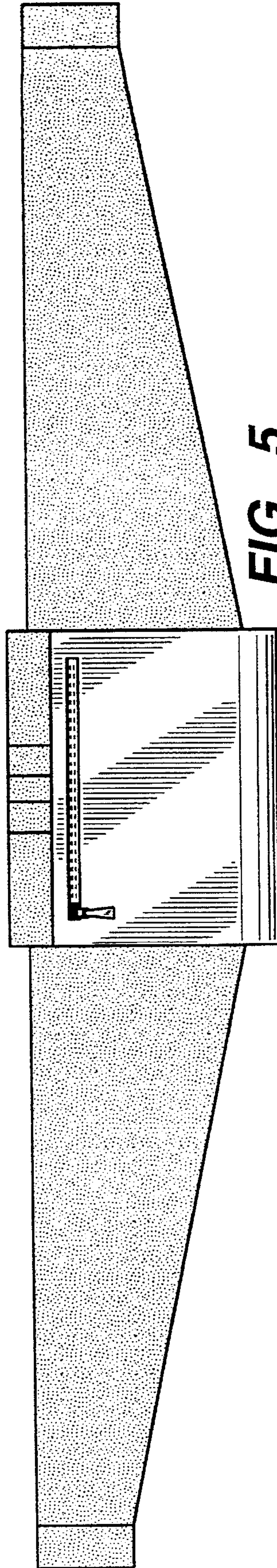


FIG. 5

