



US00D378020S

United States Patent [19]

[11] Patent Number: **Des. 378,020**

Hatt

[45] Date of Patent: ****Feb. 18, 1997**

[54] **COMBINED REMOTE CONTROL COVER AND PROTECTOR**

[76] Inventor: **Jody D. Hatt**, 98-33rd St. N, Wasaga Beach, Ontario, Canada, L0L 2P0

[**] Term: **14 Years**

[21] Appl. No.: **33,746**

[22] Filed: **Jan. 19, 1995**

[52] U.S. Cl. **D3/218; D14/218; D9/418**

[58] Field of Search **D6/470; D9/418; D3/218, 269, 273, 299, 300; D14/123, 218; 206/45.31, 320, 387.1; 340/825.69**

[56] **References Cited**

U.S. PATENT DOCUMENTS

D. 140,243	2/1945	Wemyss	D6/470
D. 268,098	3/1983	Brown	D9/418
D. 309,570	7/1990	Kinoshita	D9/418
D. 320,714	10/1991	Singley	D3/218
D. 329,542	9/1992	Jayez	D3/218
D. 339,523	9/1993	Bennett	D9/418
D. 355,302	2/1995	Eva et al.	D3/299
D. 368,095	3/1996	McCallister, III	D14/218
2,711,819	6/1951	Vander Lugt, Jr.	D9/418

4,501,359	2/1985	Yoshizawa	206/387.1
4,932,360	6/1990	O'Connor	206/45.31
4,987,999	1/1991	Hehn	206/387.1
5,085,322	2/1992	Lax	206/387.1
5,277,308	1/1994	Finke et al.	206/45.31
5,316,141	5/1994	Jalomo	206/320
5,338,691	2/1995	White	340/825.67
5,409,105	4/1995	Appelbaum et al.	206/45.31

Primary Examiner—Sandra L. Morris
Attorney, Agent, or Firm—Harpman & Harpman

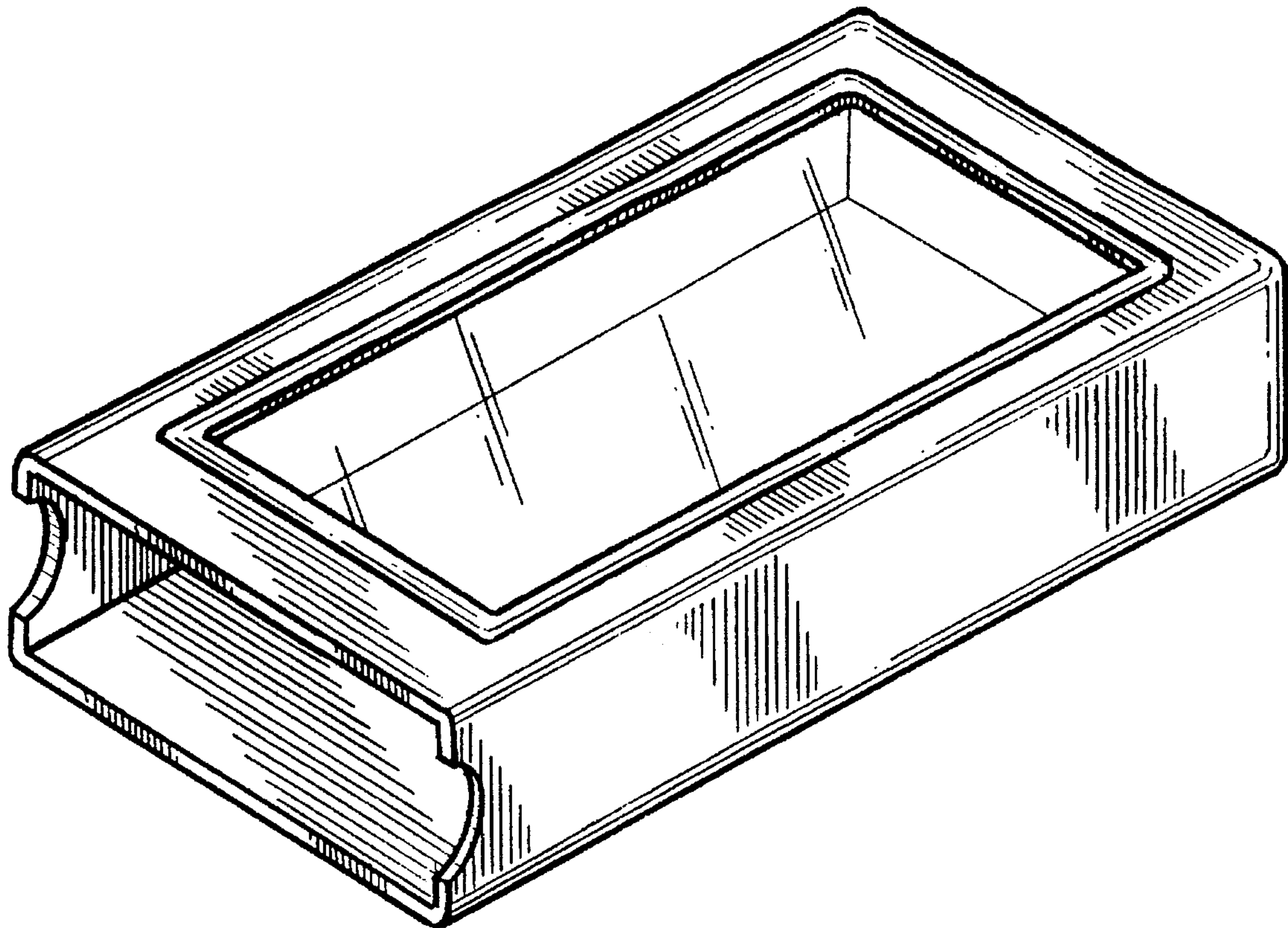
[57] **CLAIM**

The ornamental design for a combined remote control cover and protector, as shown and described.

DESCRIPTION

FIG. 1 is a front, top and side perspective view of the combined remote control cover and protector embodying the design of the present invention;
FIG. 2 is a front elevational view thereof;
FIG. 3 is a rear elevational view thereof;
FIG. 4 is a side elevational view thereof, the side opposite being a mirror image of the side shown in FIG. 4;
FIG. 5 is a top plan view thereof; and,
FIG. 6 is a bottom plan view thereof.

1 Claim, 3 Drawing Sheets



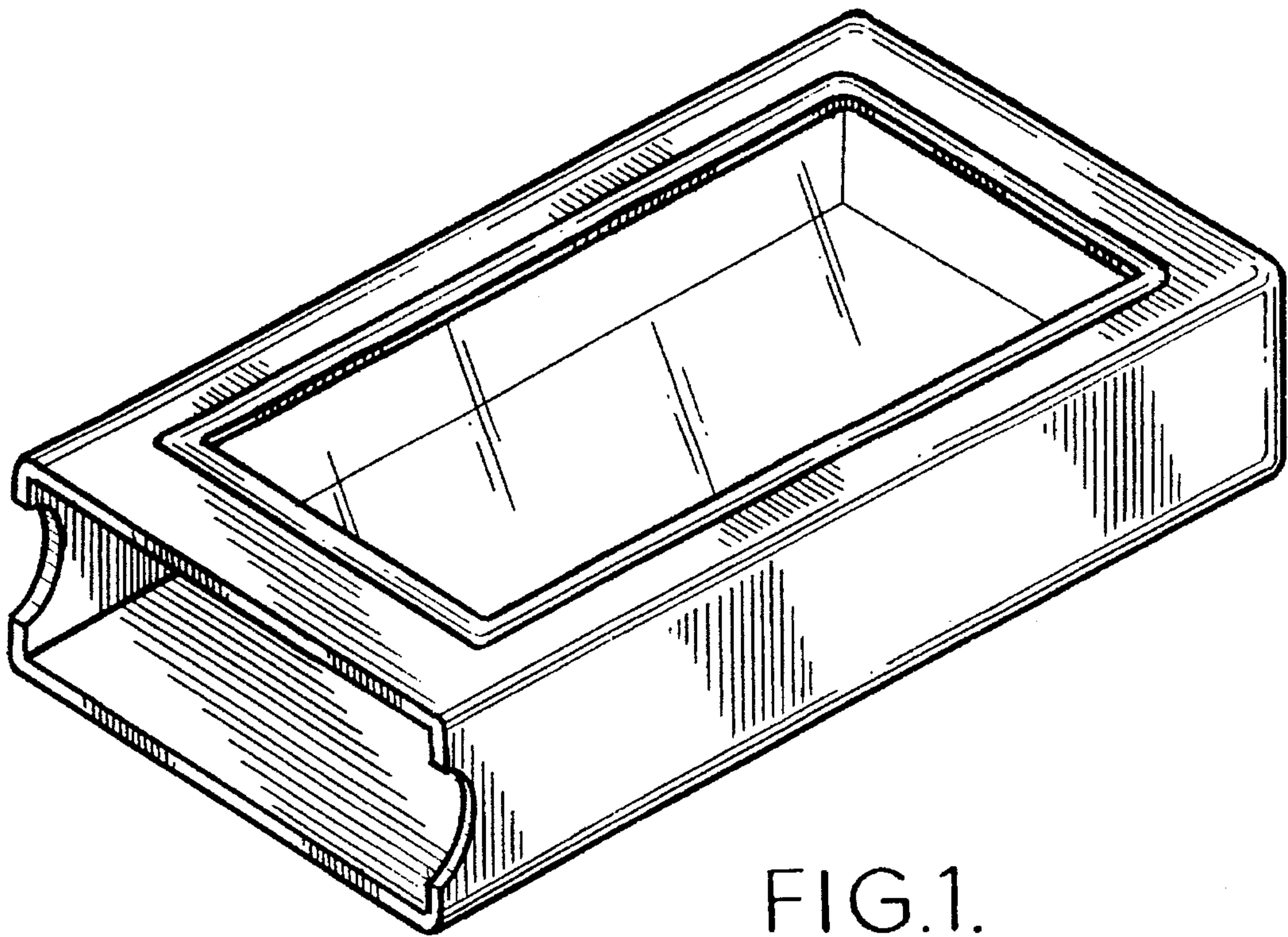


FIG. 1.

FIG. 2.

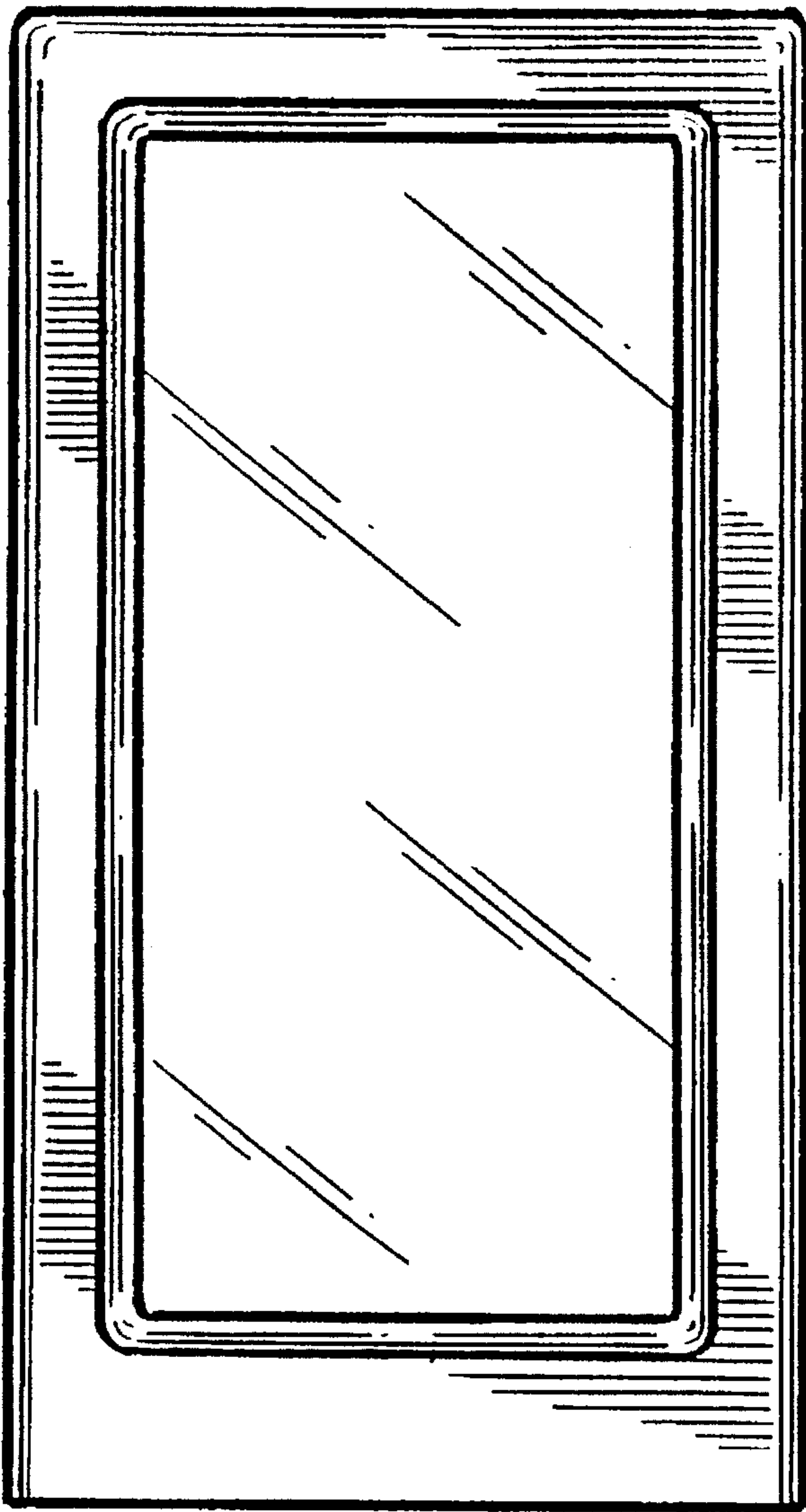


FIG. 4.

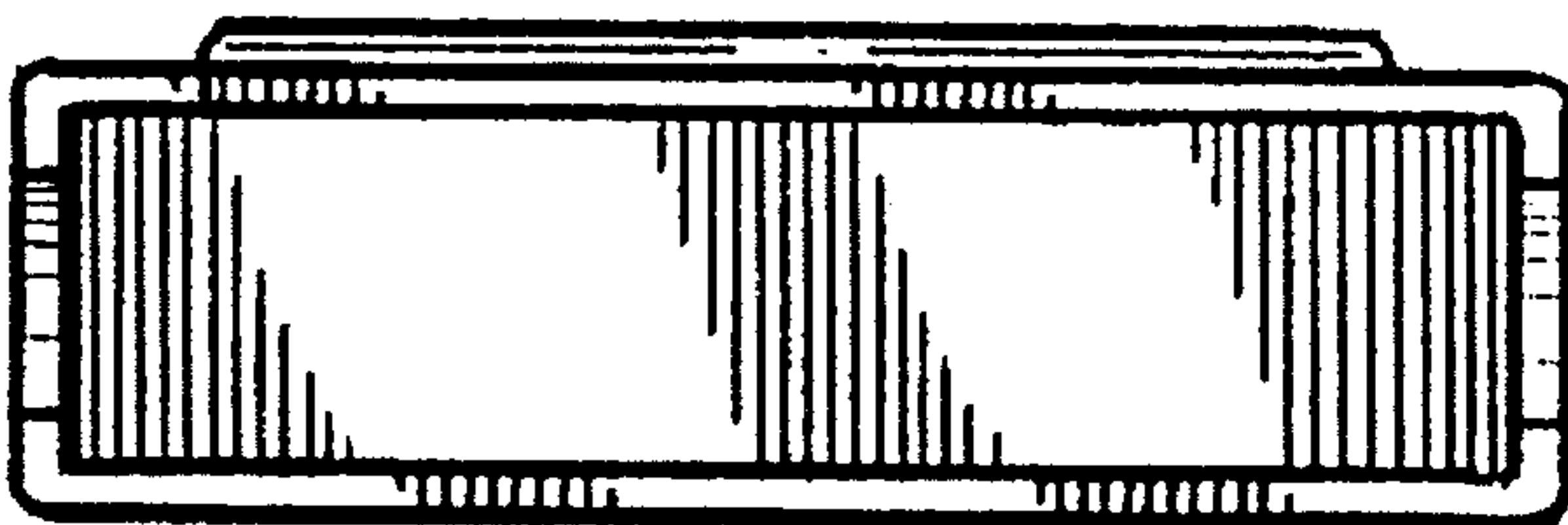
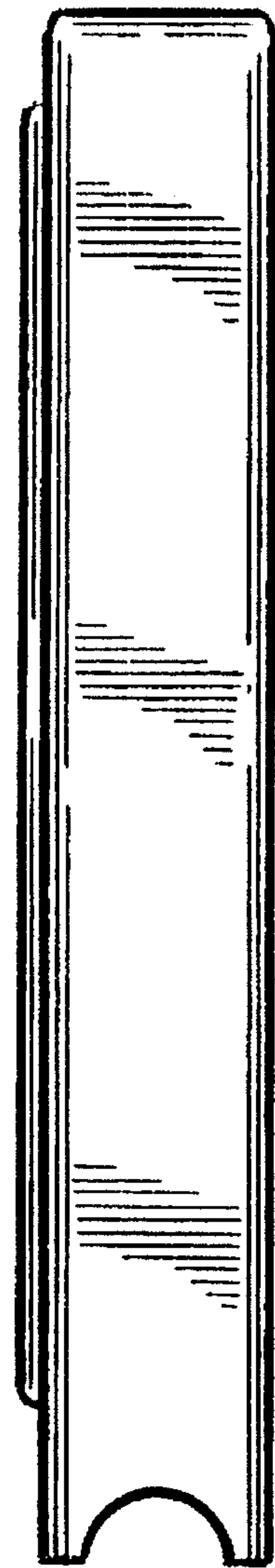


FIG. 6.

FIG. 3.

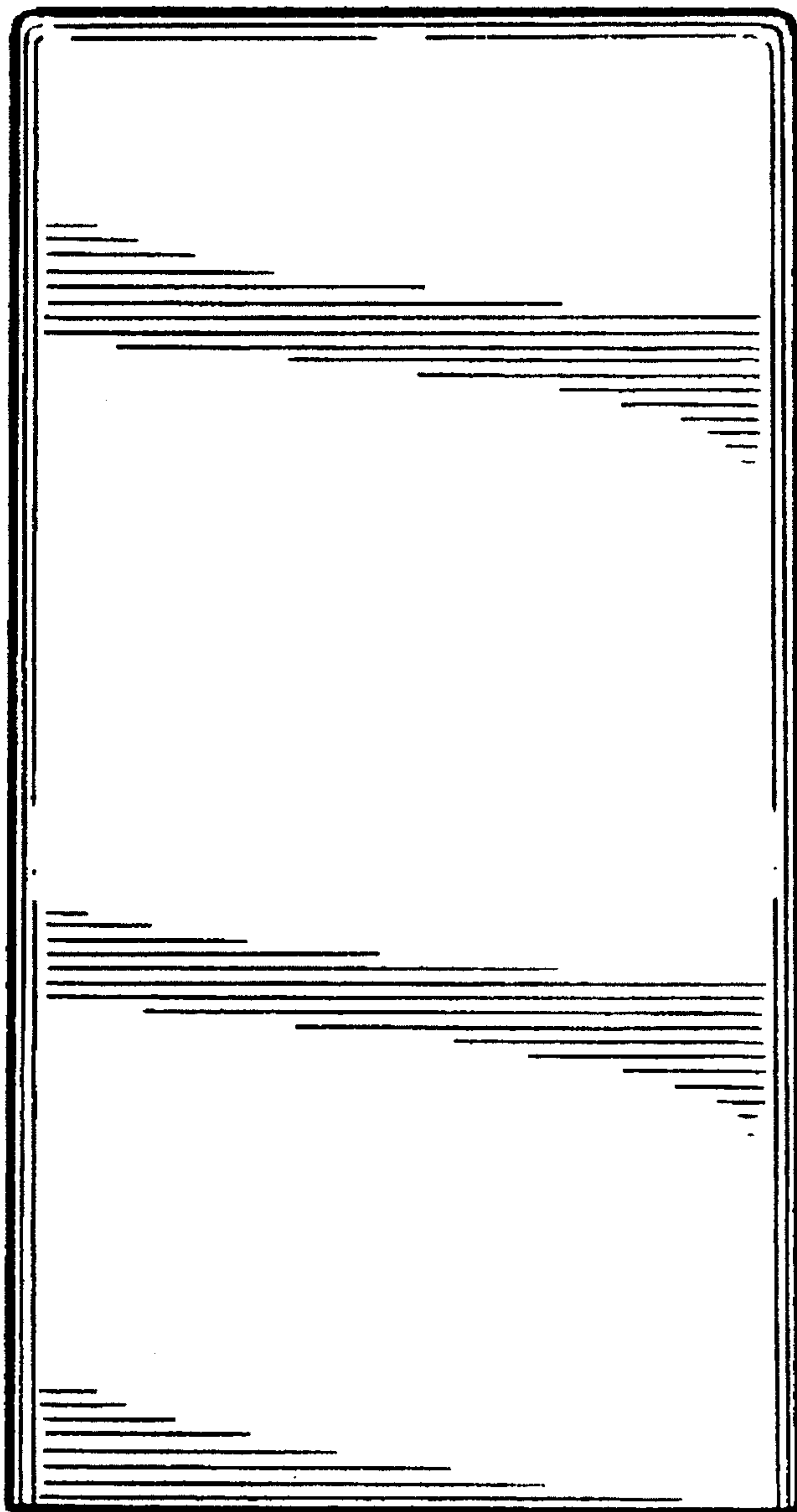


FIG. 5 .