



US00D378018S

United States Patent [19]

Ouellette

[11] Patent Number: **Des. 378,018**

[45] Date of Patent: ****Feb. 18, 1997**

[54] CREDIT CARD CASE

5,103,884 4/1992 Roman 150/134
5,244,023 9/1993 Spies 150/134

[76] Inventor: **Larry Ouellette**, 317 W. 4th St.,
Washington, Kans. 66968

Primary Examiner—Doris V. Coles
Assistant Examiner—Catherine R. Oliver
Attorney, Agent, or Firm—Harold H. Dutton, Jr.; W. Charles
L. Jamison; Diane F. Liebman

[**] Term: **14 Years**

[21] Appl. No.: **41,534**

[57] **CLAIM**

[22] Filed: **Jul. 17, 1995**

The ornamental design for a credit card case, as shown.

[52] U.S. Cl. **D3/215; D3/247**

[58] Field of Search D3/247, 248, 252,
D3/253; D19/65, 86, 88; 150/131, 132,
133, 134, 135, 136, 137, 138, 139, 140,
141, 142, 143, 144, 145, 146, 147

DESCRIPTION

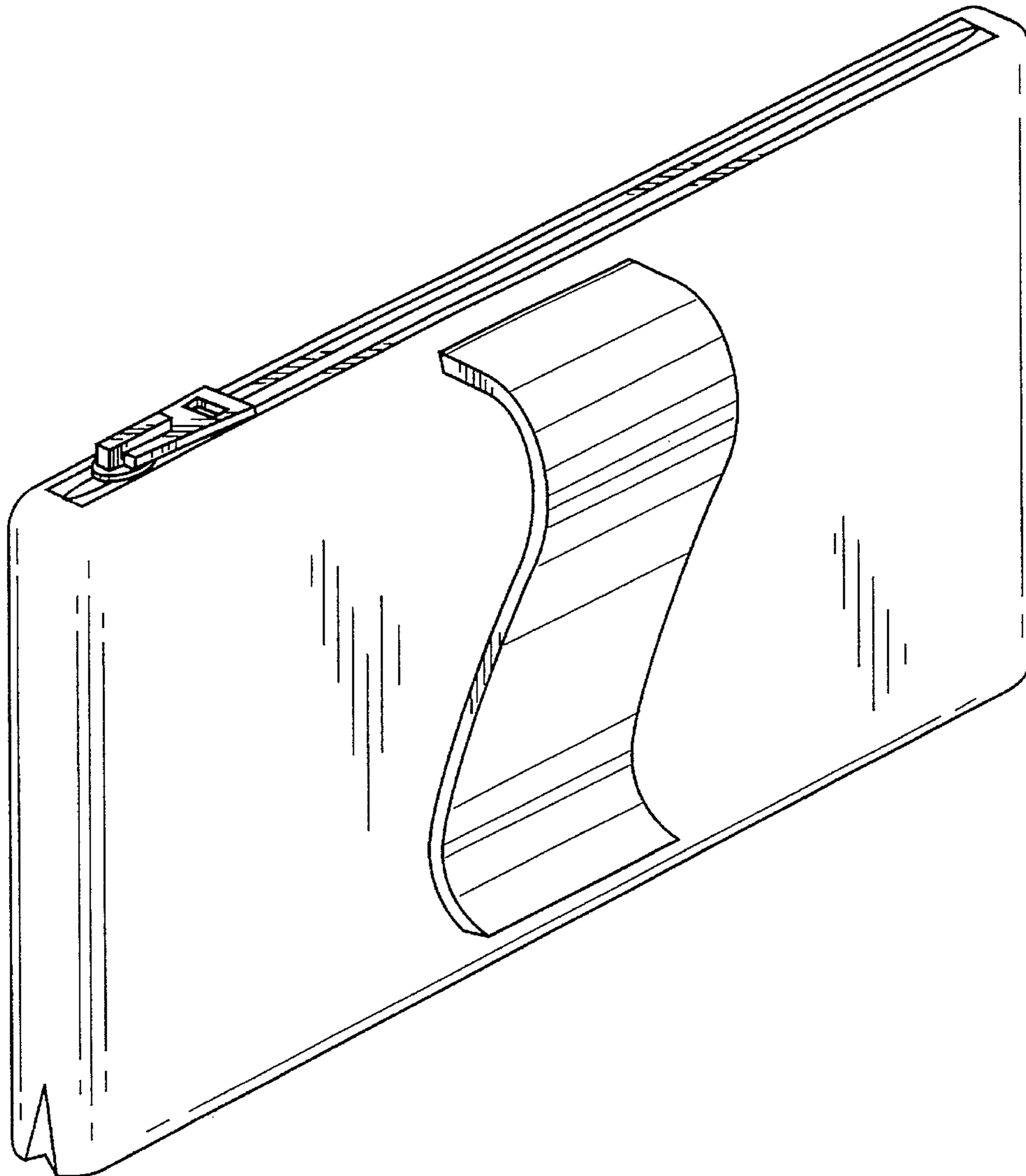
FIG. 1 is a rear perspective view of a credit card case showing my new design;
FIG. 2 is a front view thereof;
FIG. 3 is a top view thereof;
FIG. 4 is a bottom view thereof;
FIG. 5 is a left side view thereof; and,
FIG. 6 is a right side view thereof.

[56] **References Cited**

U.S. PATENT DOCUMENTS

D. 239,578 4/1976 Woodard D3/230
D. 317,983 7/1991 Gilbreath D3/247
4,705,086 11/1987 O'Neill 150/134

1 Claim, 4 Drawing Sheets



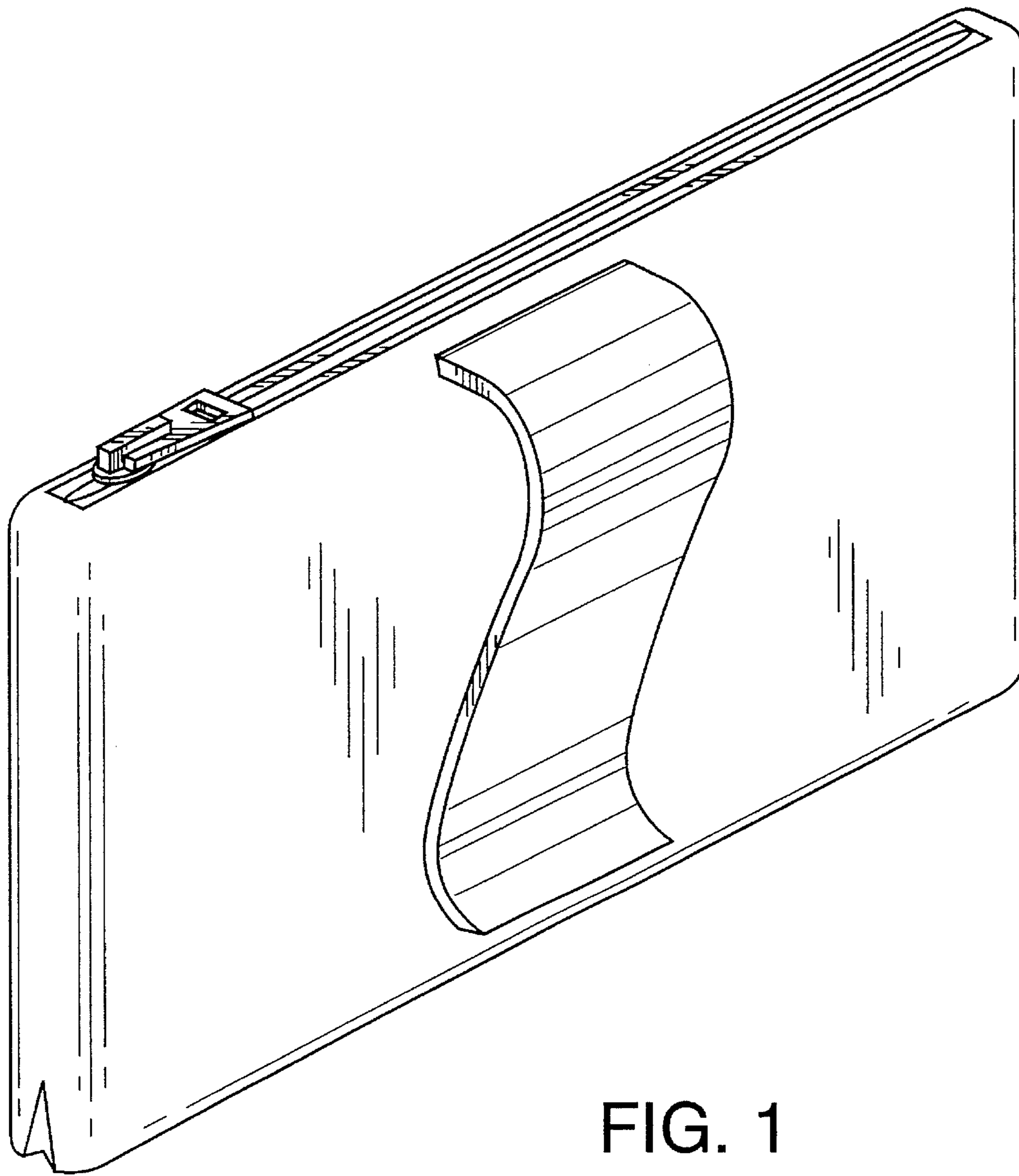


FIG. 1

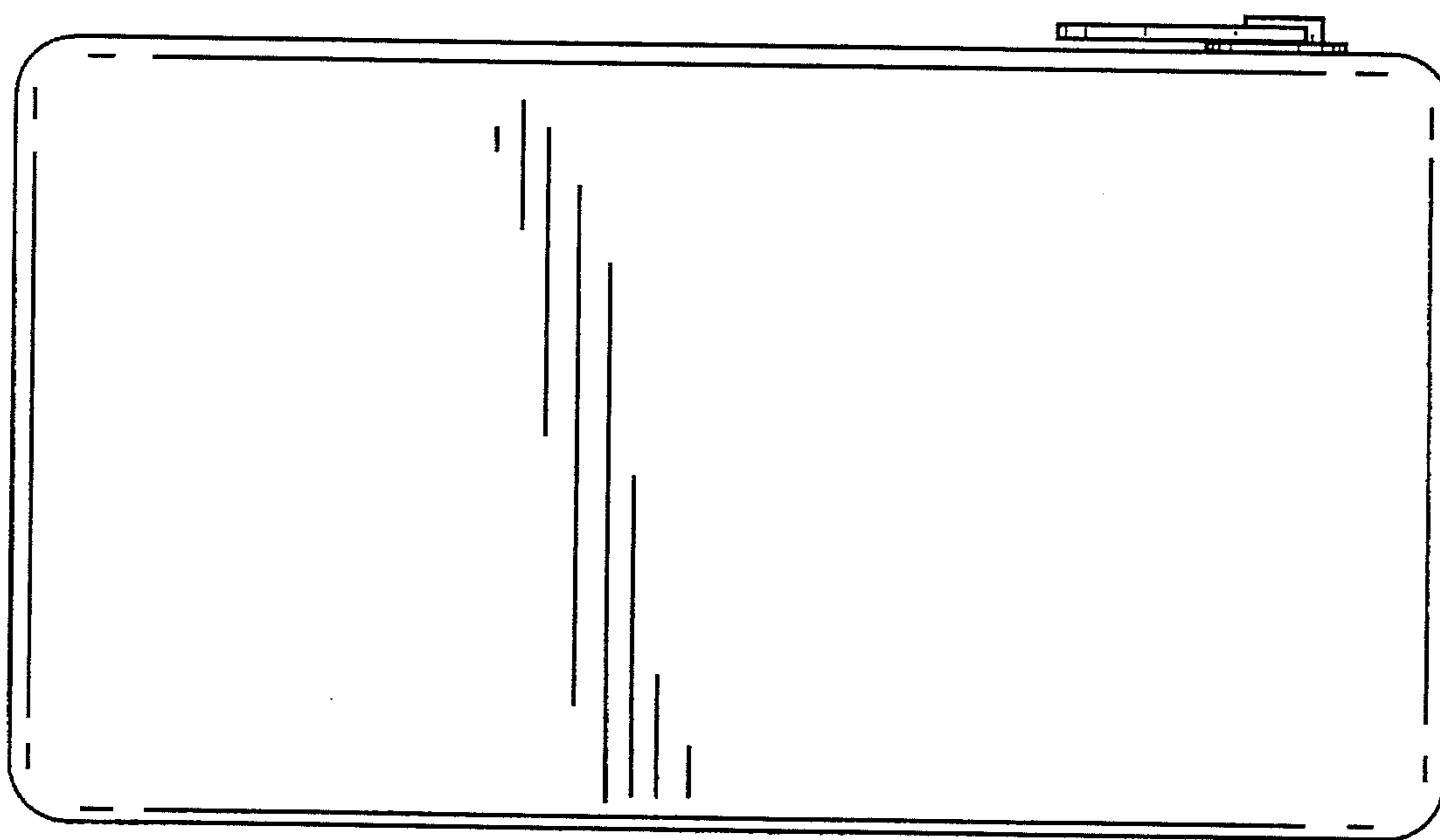


FIG. 2

FIG. 3

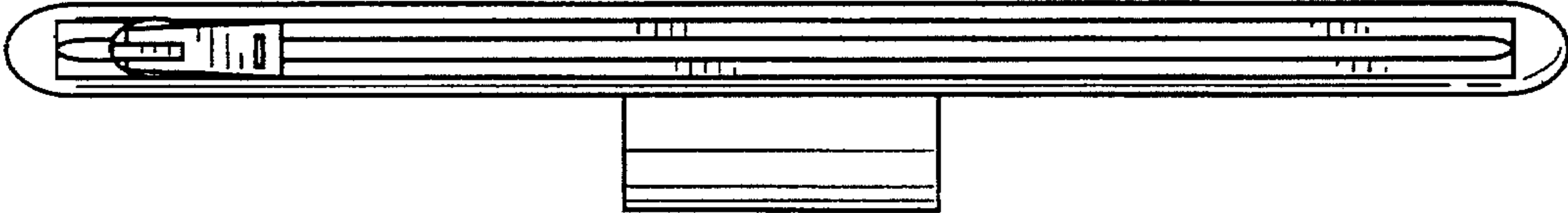


FIG. 4

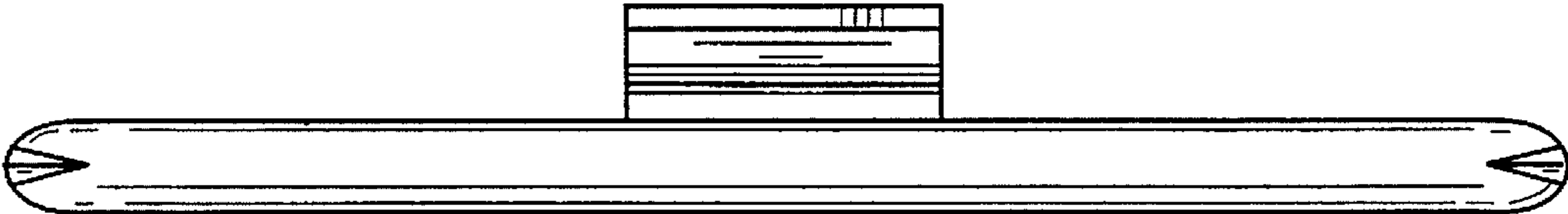




FIG. 5

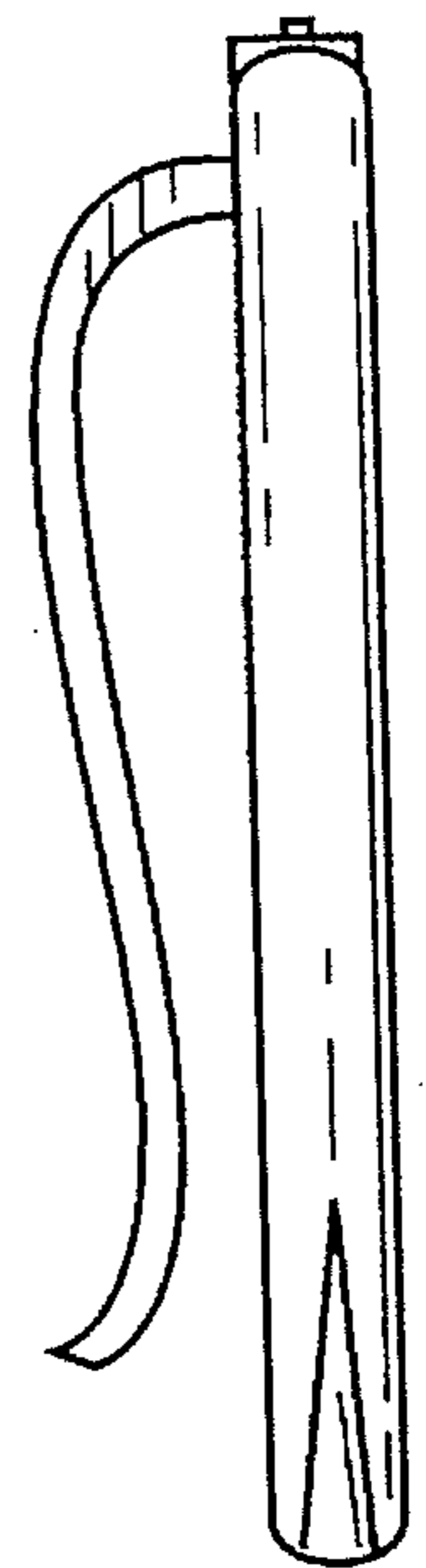


FIG. 6