



US00D378017S

United States Patent [19]

[11] Patent Number: **Des. 378,017**

Svendsen et al.

[45] Date of Patent: ****Feb. 18, 1997**

[54] **INFANT FRAME CARRIER**

4,157,837	6/1979	Kao	224/161
4,747,526	5/1988	Launes	224/155
4,896,894	1/1991	Singletary	280/30

[75] Inventors: **Sean Svendsen**, Columbus; **Paul Kolada**, Bexley; **David J. Stroud**, Dayton; **Steve Courtney**, Troy, all of Ohio

Primary Examiner—Kay H. Chin

[73] Assignee: **Lisco, Inc.**, Tampa, Fla.

[57] **CLAIM**

[**] Term: **14 Years**

The ornamental design of the infant frame carrier, as shown and described.

[21] Appl. No.: **46,213**

DESCRIPTION

[22] Filed: **Nov. 9, 1995**

FIG. 1 is a perspective view of the infant frame carrier showing the design of our invention; FIG. 2 is a front view thereof; FIG. 3 is a right side view thereof; FIG. 4 is a rear view thereof; FIG. 5 is a top plan view thereof; and, FIG. 6 is a bottom view thereof. The left side view is a mirror image of the right side view.

[52] U.S. Cl. **D3/214**; D12/129

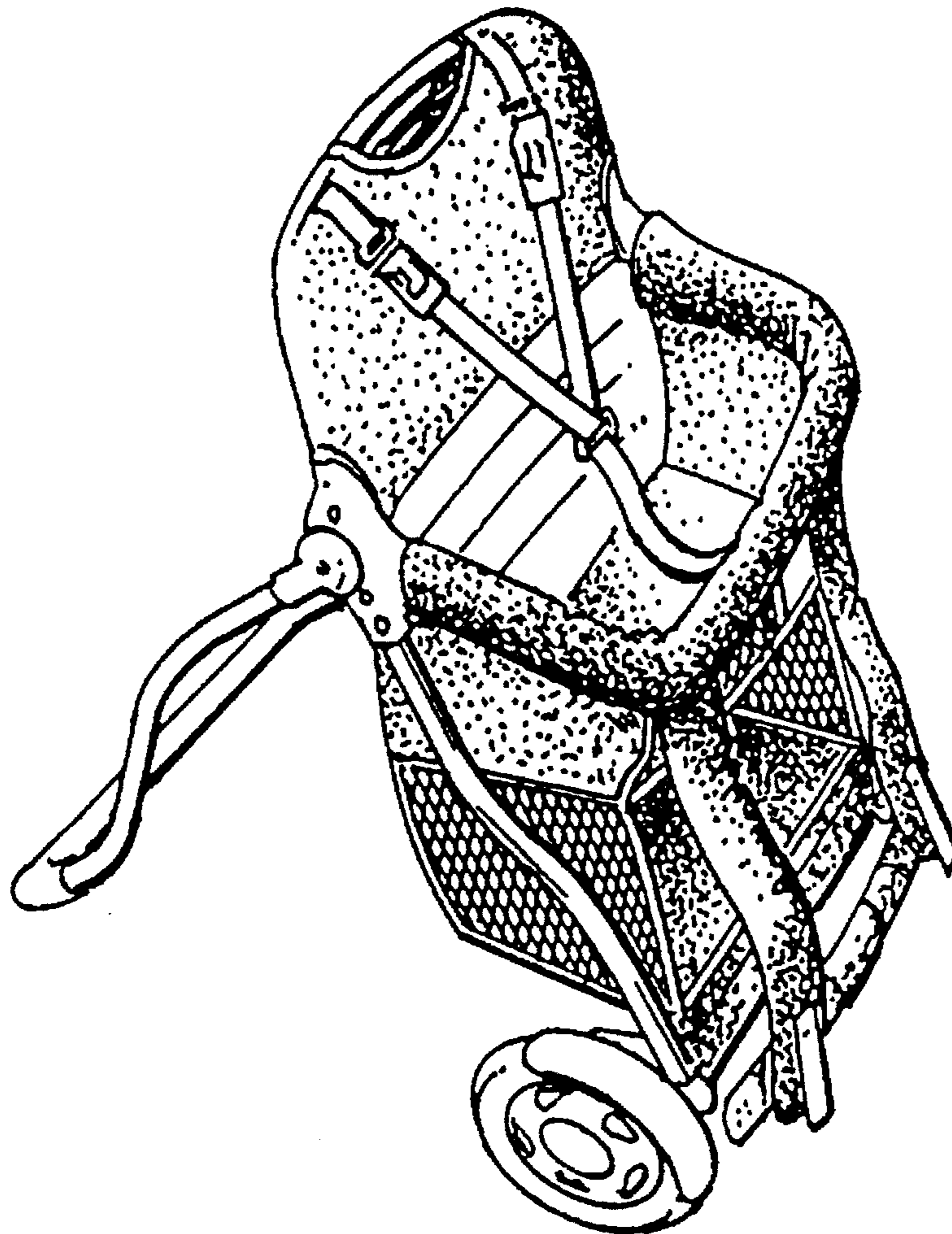
[58] Field of Search D3/213, 214; D12/128, D12/129; 280/30; 224/161, 155

[56] References Cited

U.S. PATENT DOCUMENTS

D. 365,925 1/1996 Roan D3/214

1 Claim, 1 Drawing Sheet



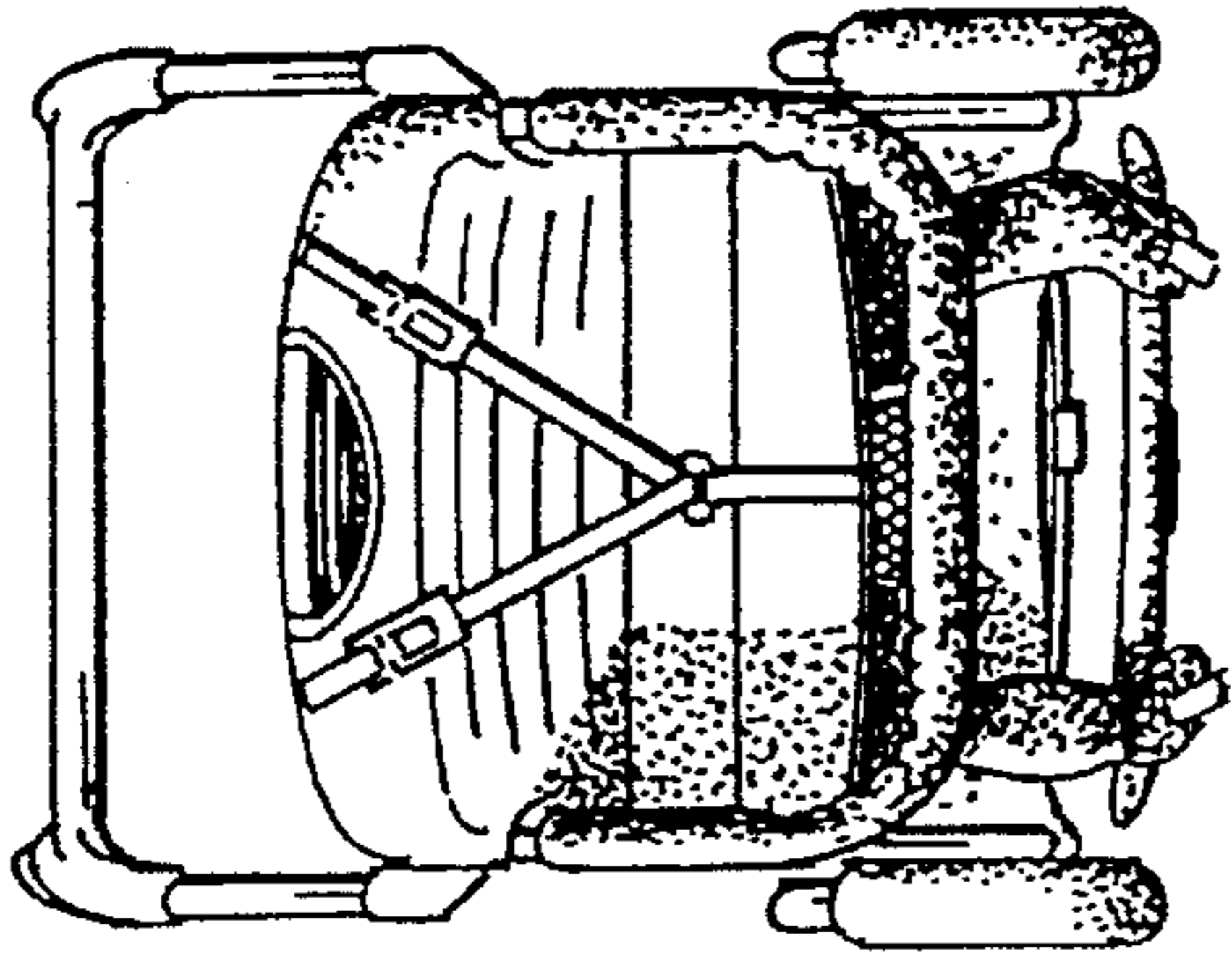


FIG. 5

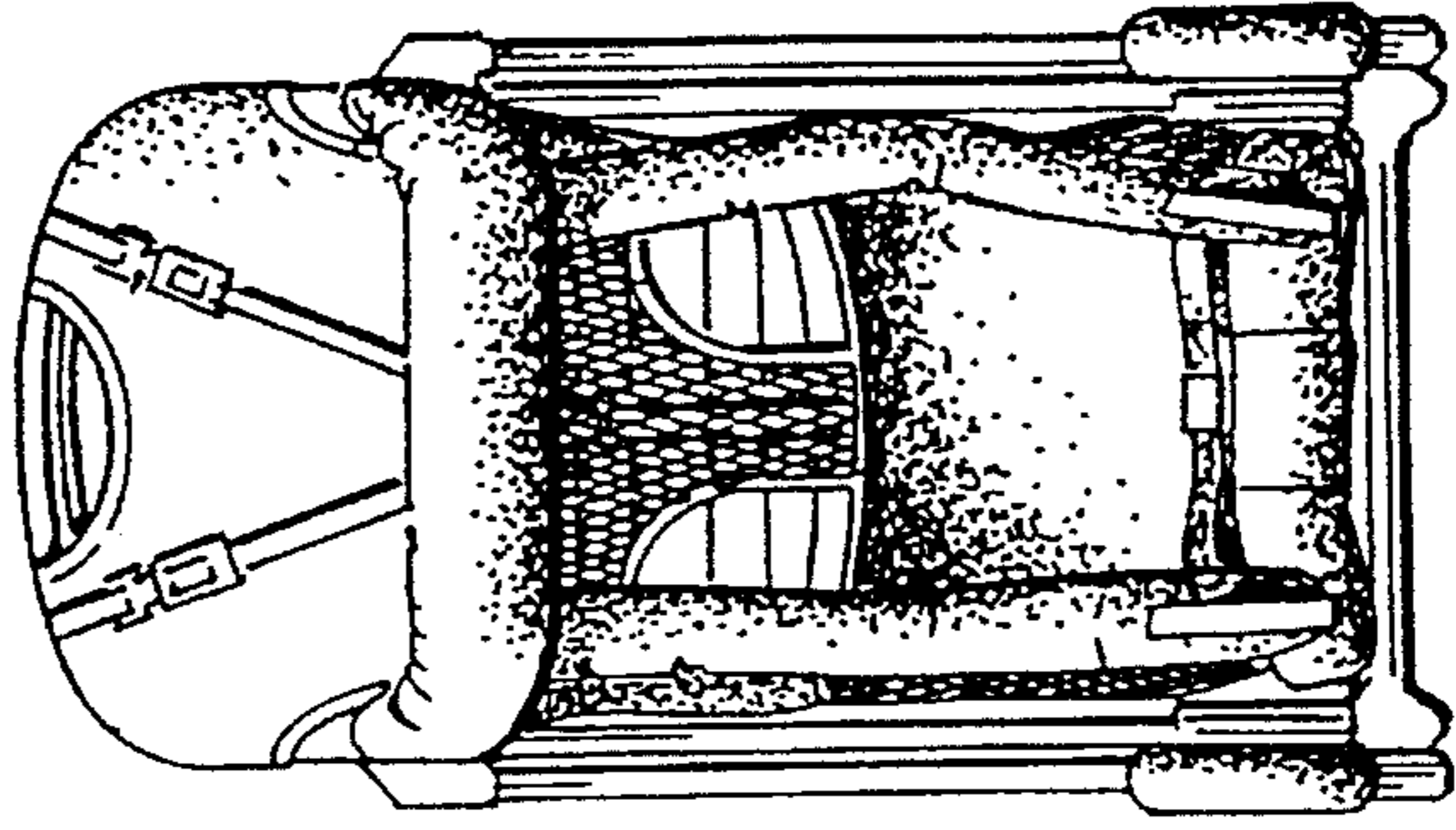


FIG. 2

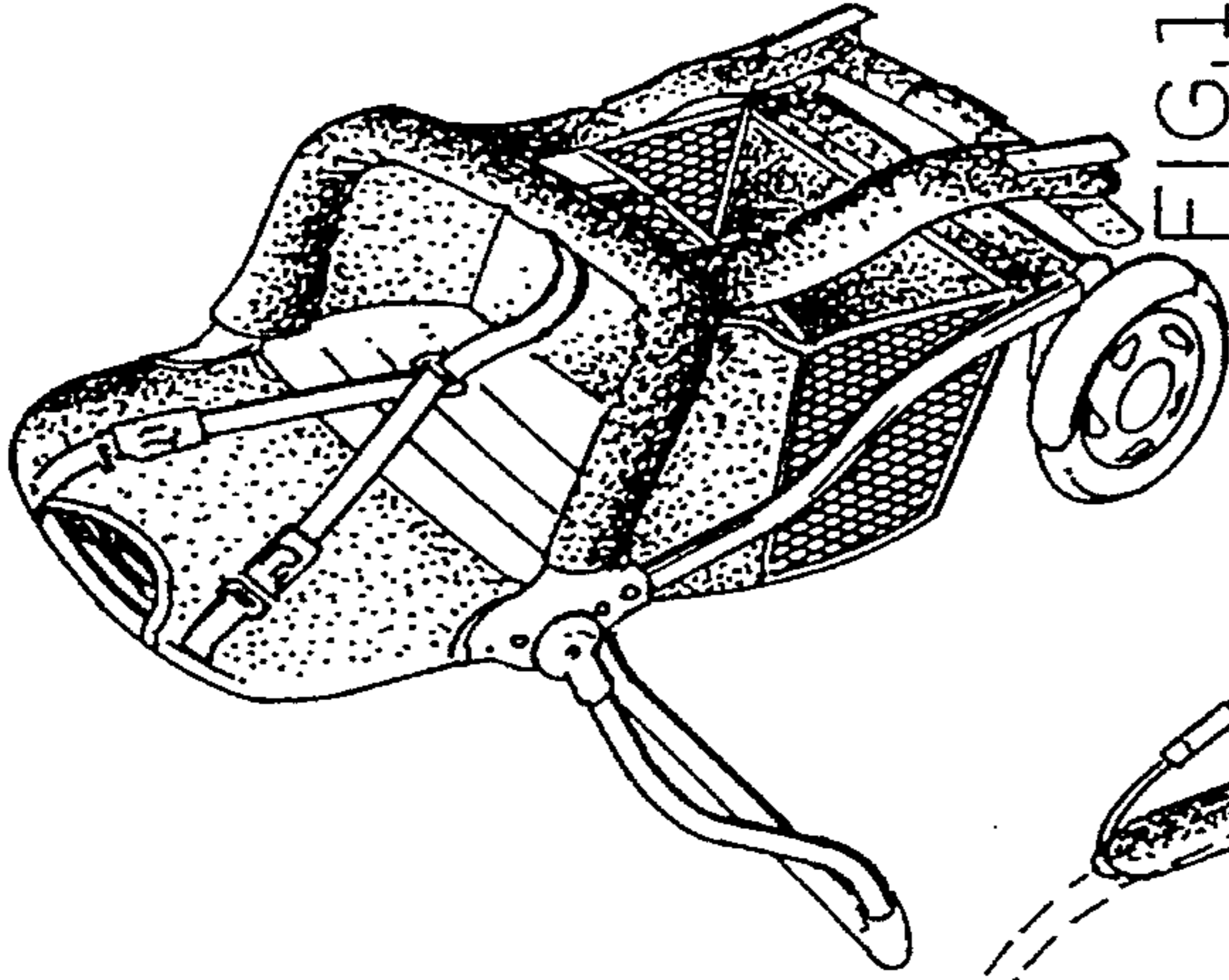


FIG. 1

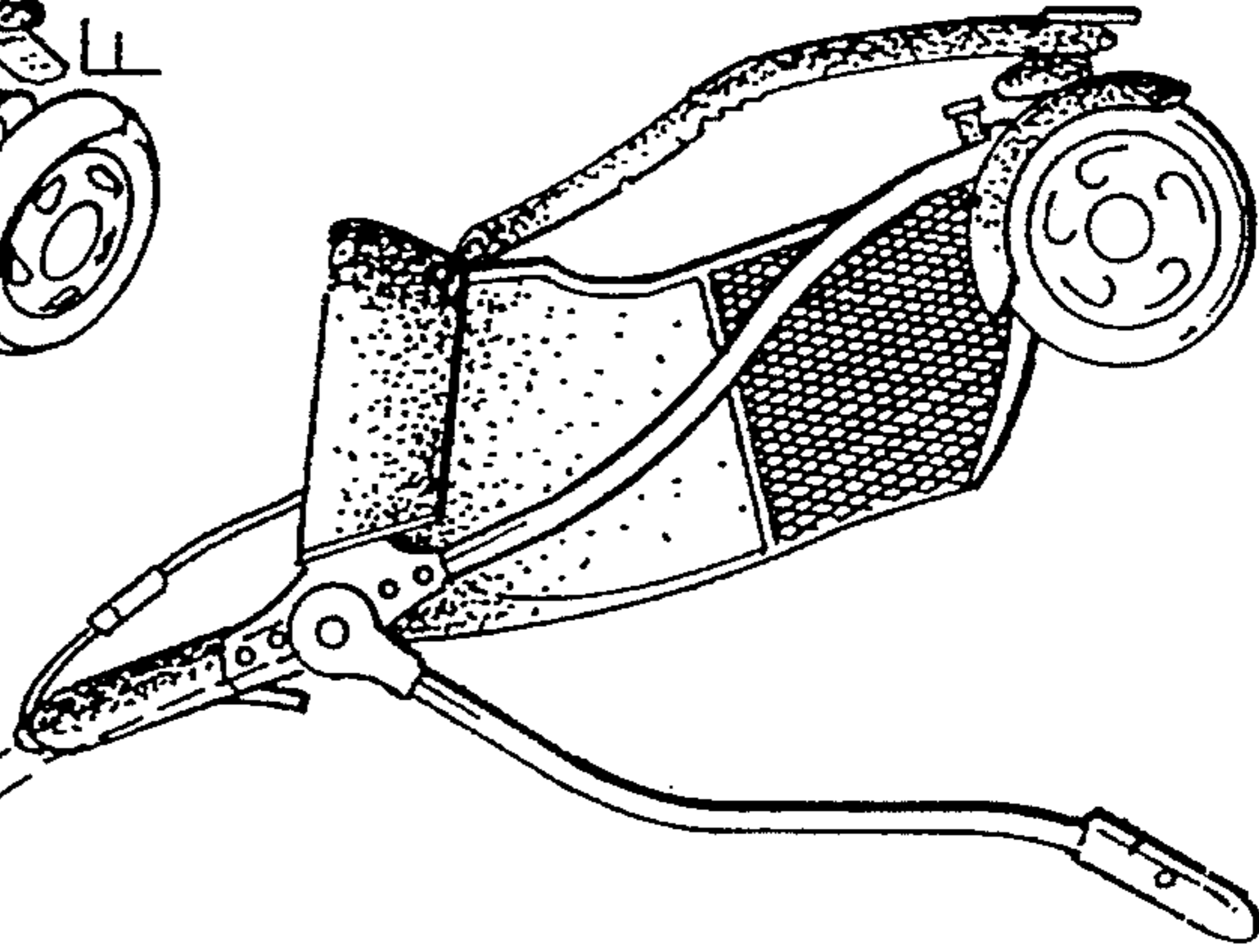


FIG. 3

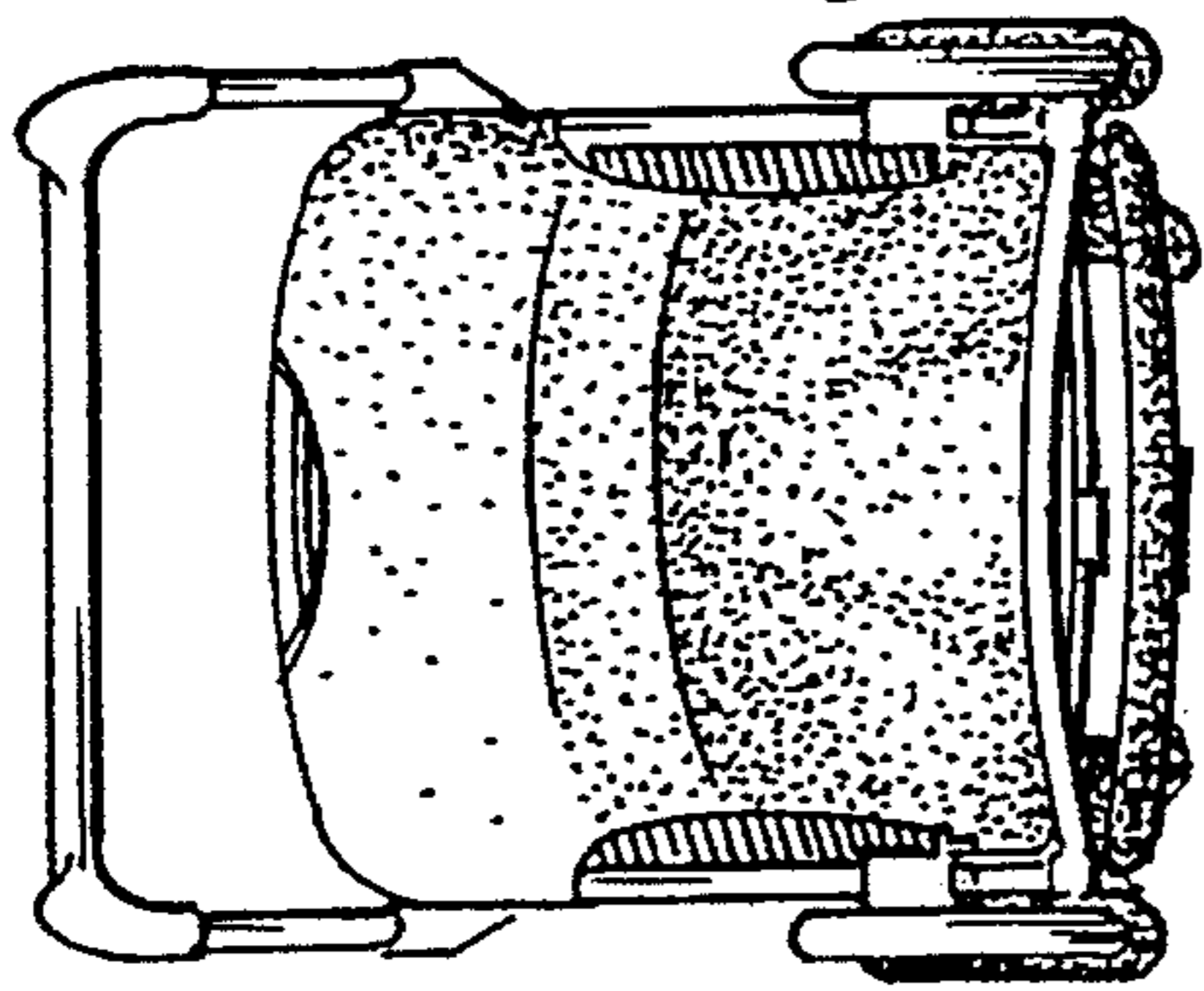


FIG. 6

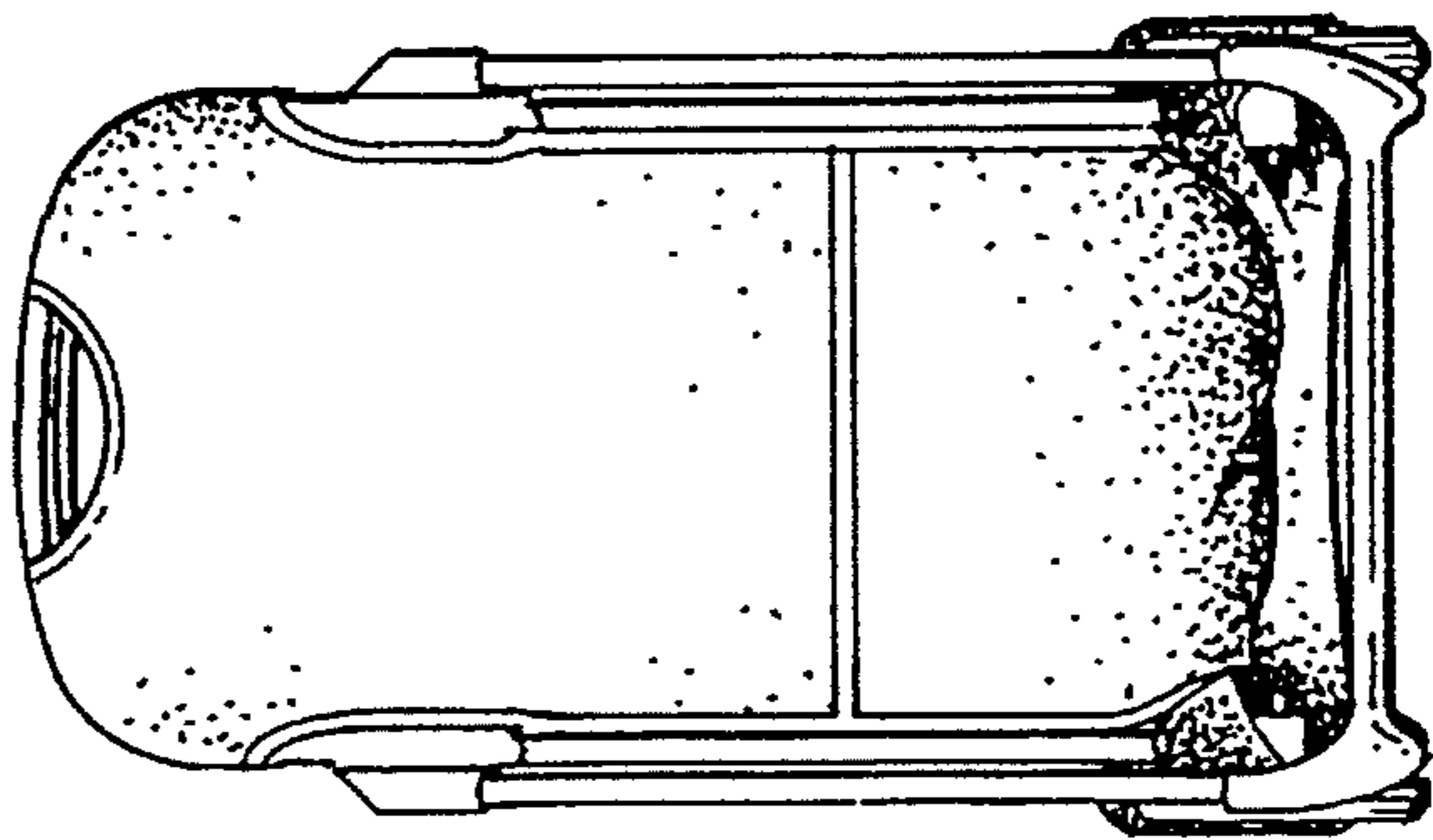


FIG. 4