



US00D378006S

United States Patent [19] Clendenning

[11] Patent Number: **Des. 378,006**

[45] Date of Patent: ****Feb. 11, 1997**

[54] **CORNER LIP SHROUD**

[75] Inventor: **Charles Clendenning**, Broken Arrow, Okla.

[73] Assignee: **H & L Tooth Company**, Tulsa, Okla.

[**] Term: **14 Years**

[21] Appl. No.: **41,095**

[22] Filed: **Jul. 5, 1995**

[52] U.S. Cl. **D32/54**

[58] Field of Search D32/53, 53.1,
D32/54; D8/395; 220/23.83, 23.2, 23.4,
694, 729-30, 737; 24/288; 403/24, 405.1,
388

[56] **References Cited**

U.S. PATENT DOCUMENTS

D. 334,704	4/1993	Andrews et al.	D34/1
5,054,636	10/1991	Netzer	220/23.4
5,078,530	1/1992	Kim	403/24
5,285,996	2/1994	Waller	220/701

Primary Examiner—A. Hugo Word
Assistant Examiner—Robin V. Taylor
Attorney, Agent, or Firm—Rudnick & Wolfe

[57] **CLAIM**

The ornamental design for a corner lip shroud, as shown and described.

DESCRIPTION

FIG. 1 is a perspective view of a first embodiment of a corner lip shroud showing my new design;

FIG. 2 is a front elevational view thereof;

FIG. 3 is a right side elevational view thereof;

FIG. 4 is a top plan view thereof;

FIG. 5 is a left side elevational view thereof;

FIG. 6 is a bottom view thereof;

FIG. 7 is a rear elevational view thereof;

FIG. 8 is a view taken along elevational line 8—8 of FIG. 5;

FIG. 9 is a view taken along elevational line 9—9 of FIG. 7; and,

FIG. 10 is a perspective view of a second embodiment thereof being a mirror image of FIG. 1 with all other views being a mirror image of FIGS. 2-9.

1 Claim, 3 Drawing Sheets

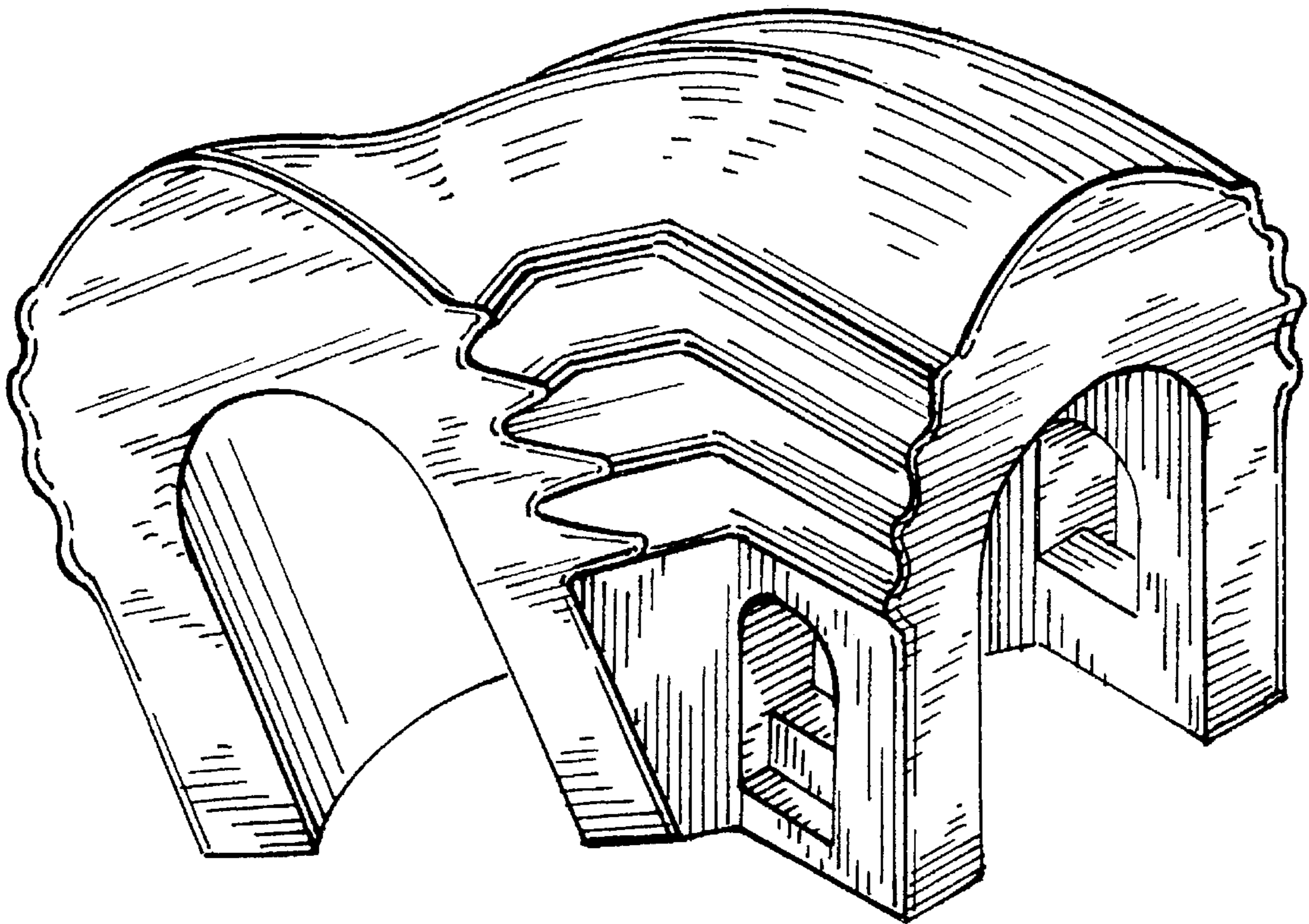


FIG. 1

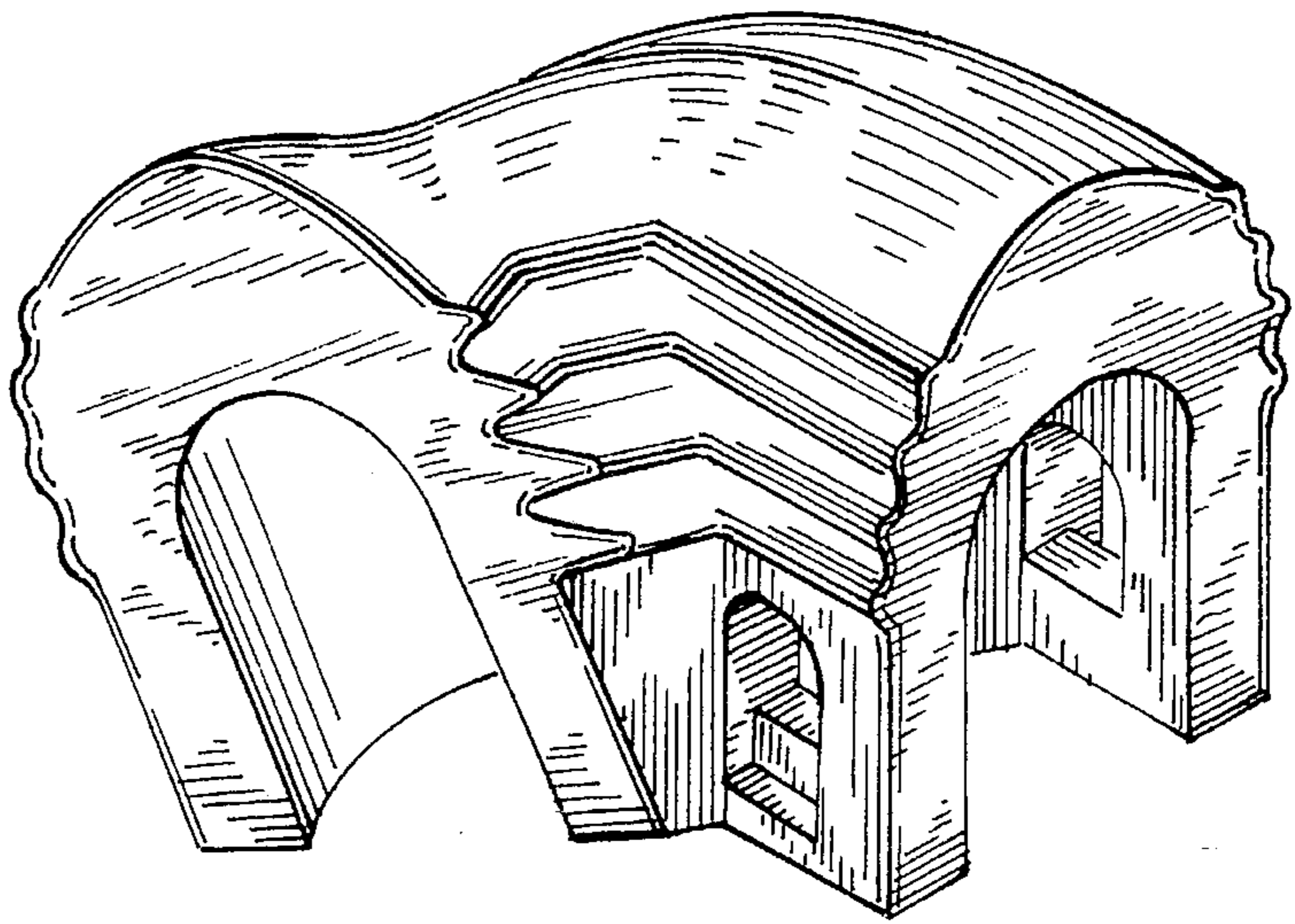


FIG. 2

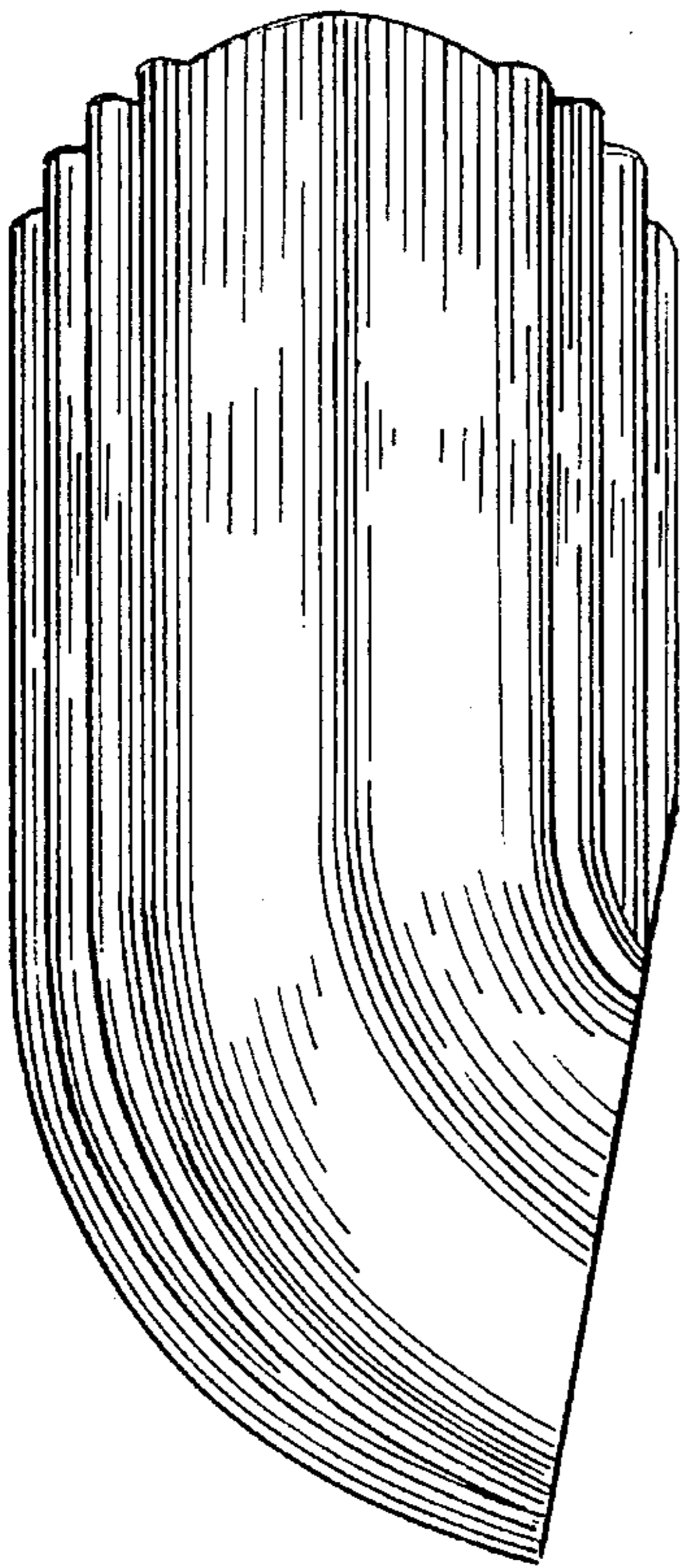


FIG. 3

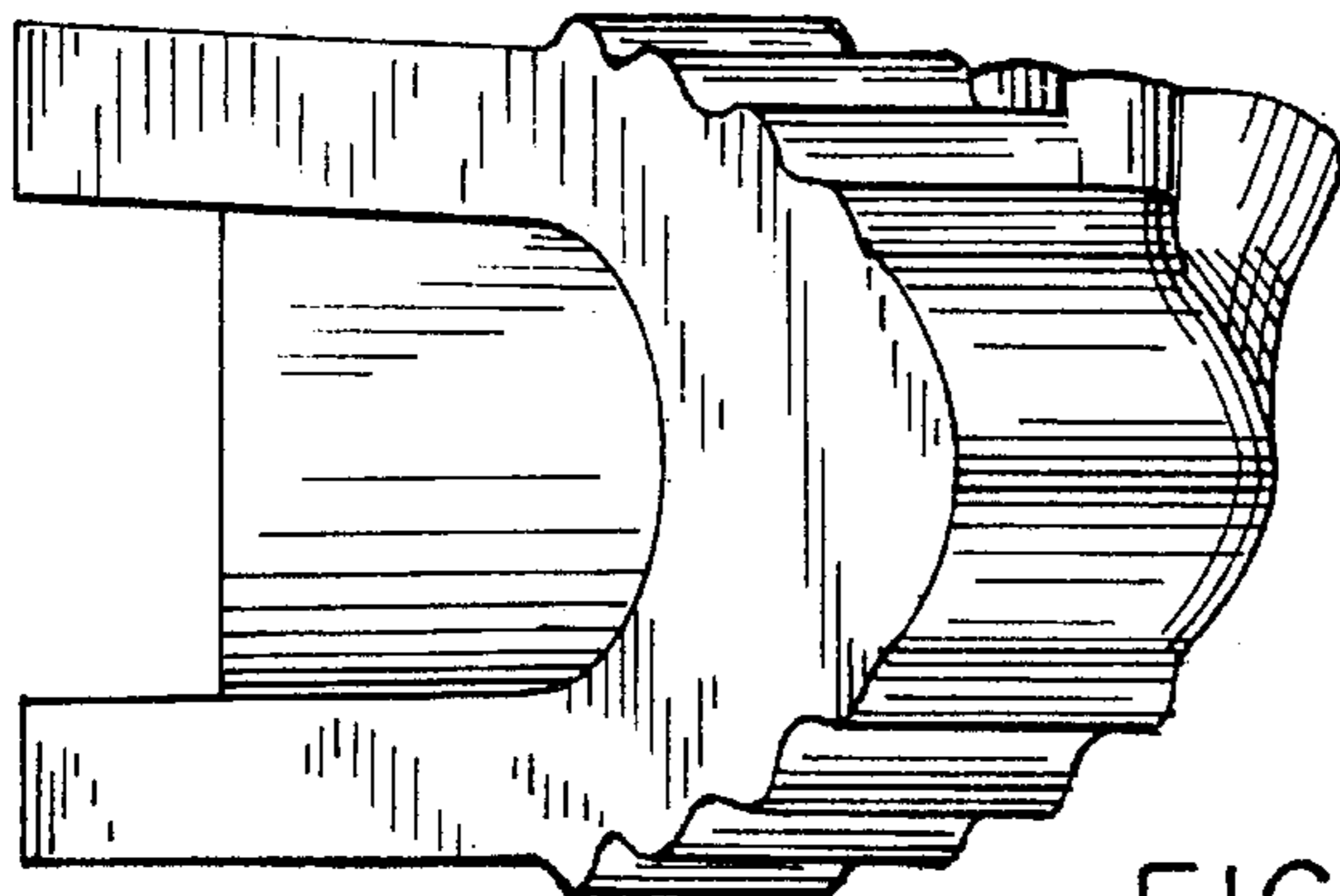
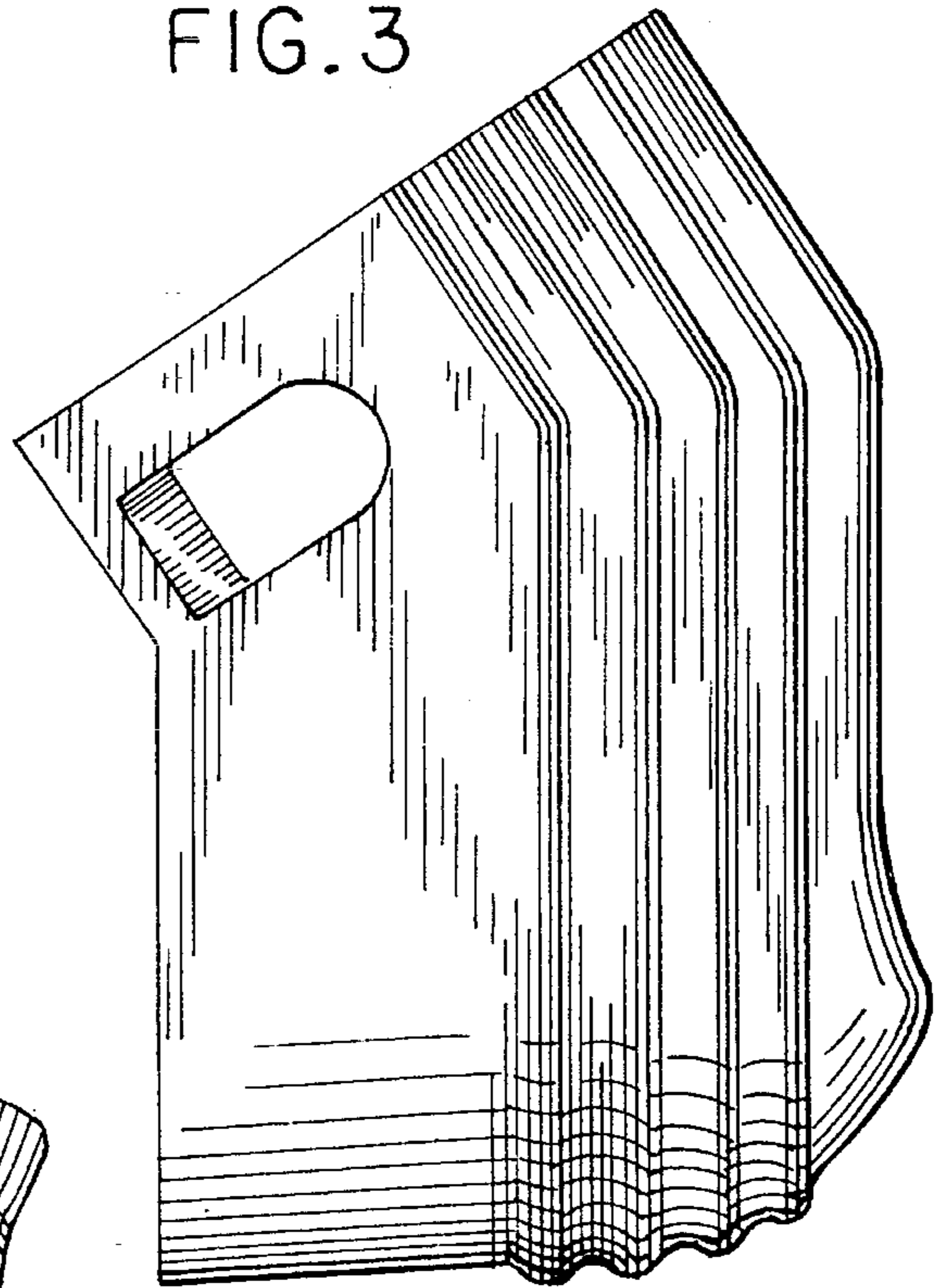


FIG. 4

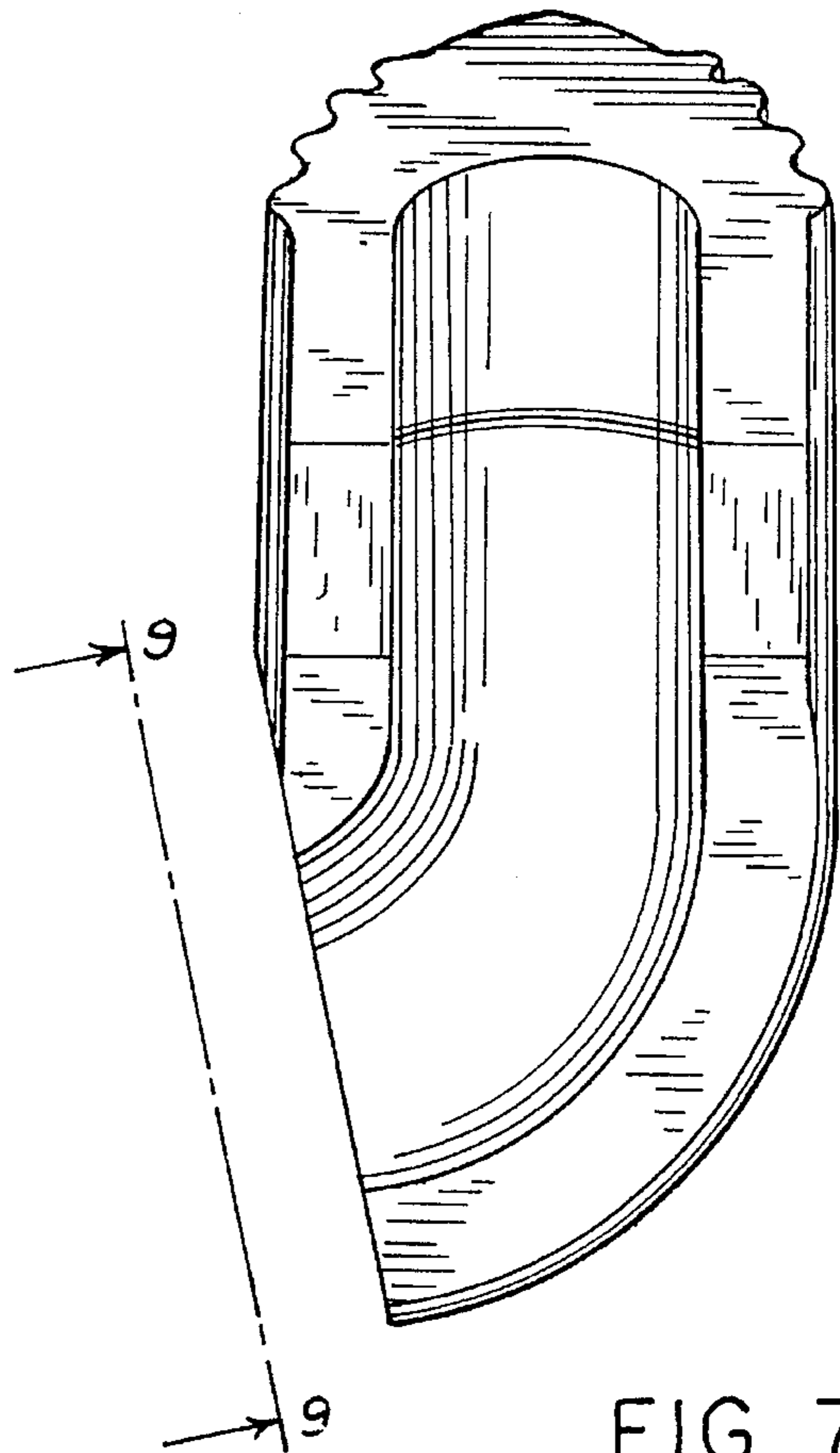
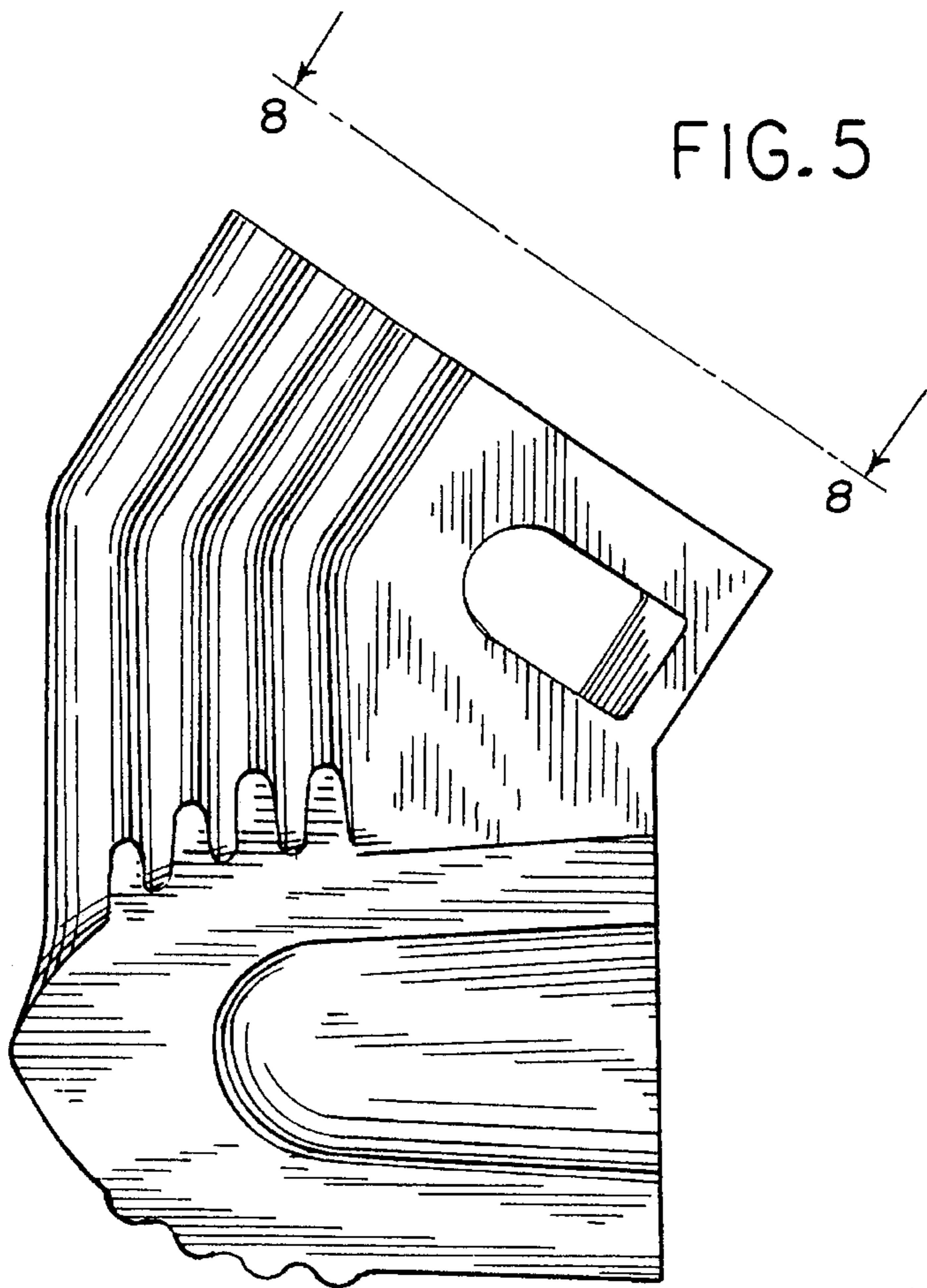
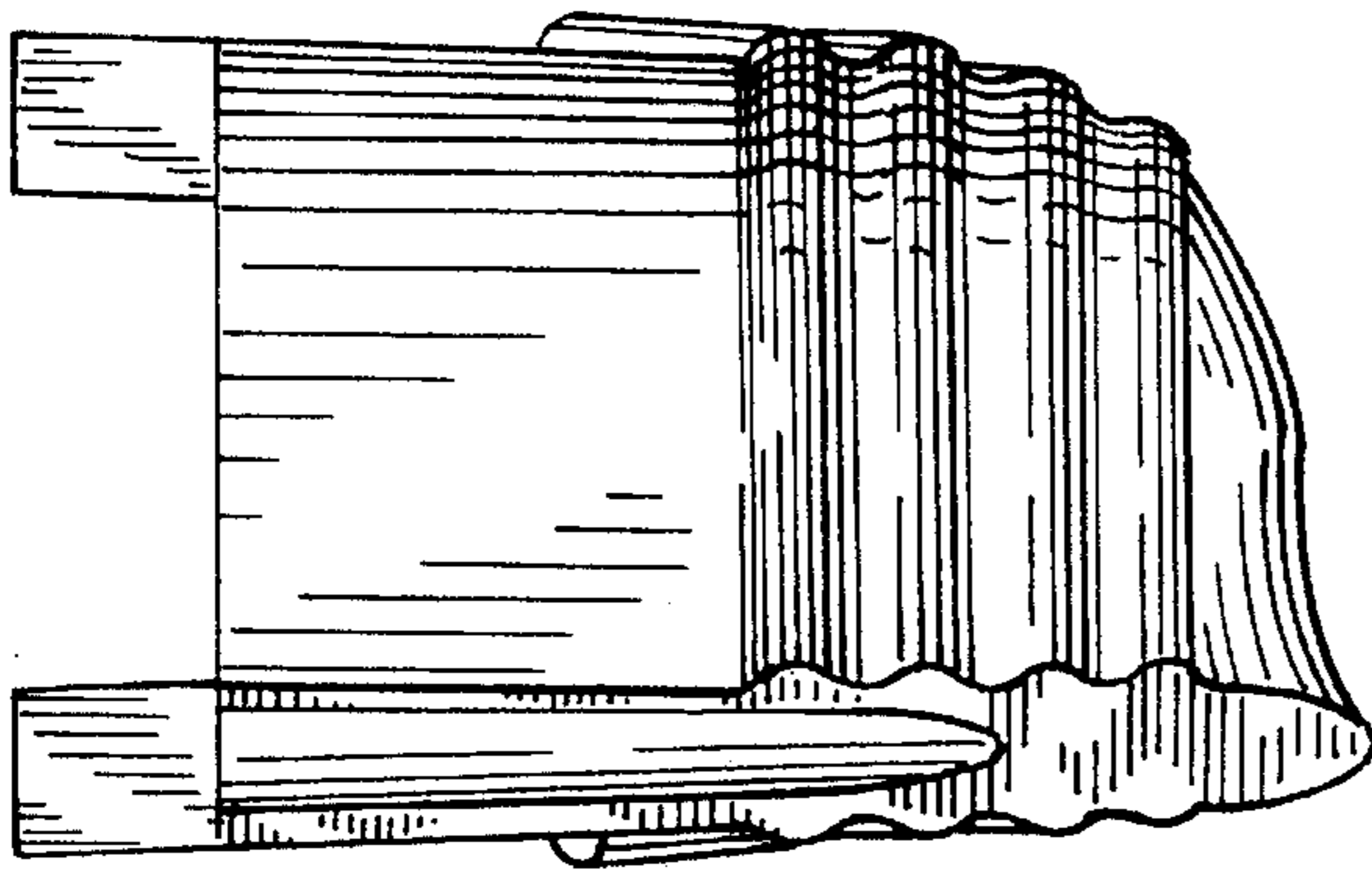


FIG. 6



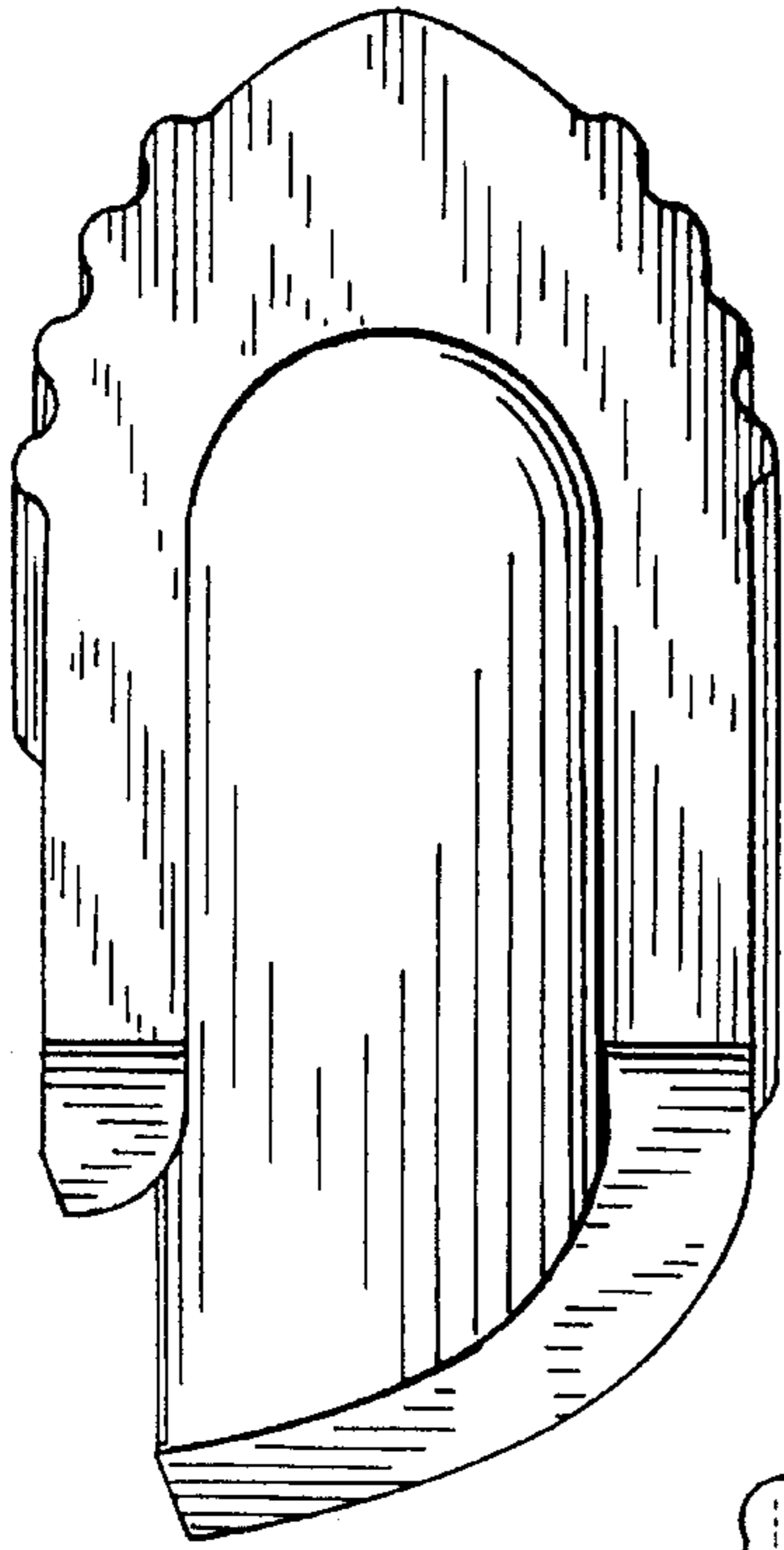


FIG. 8

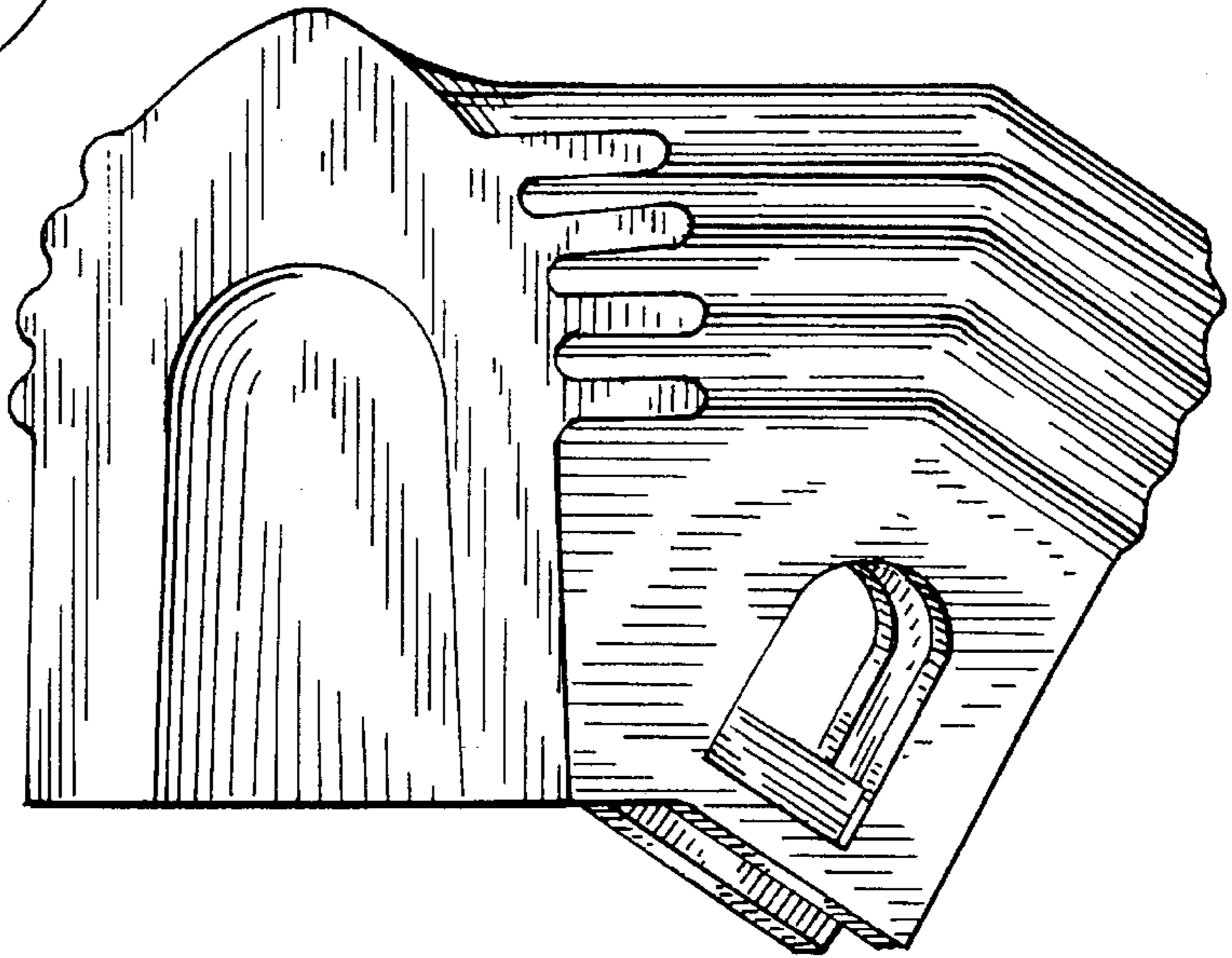


FIG. 9

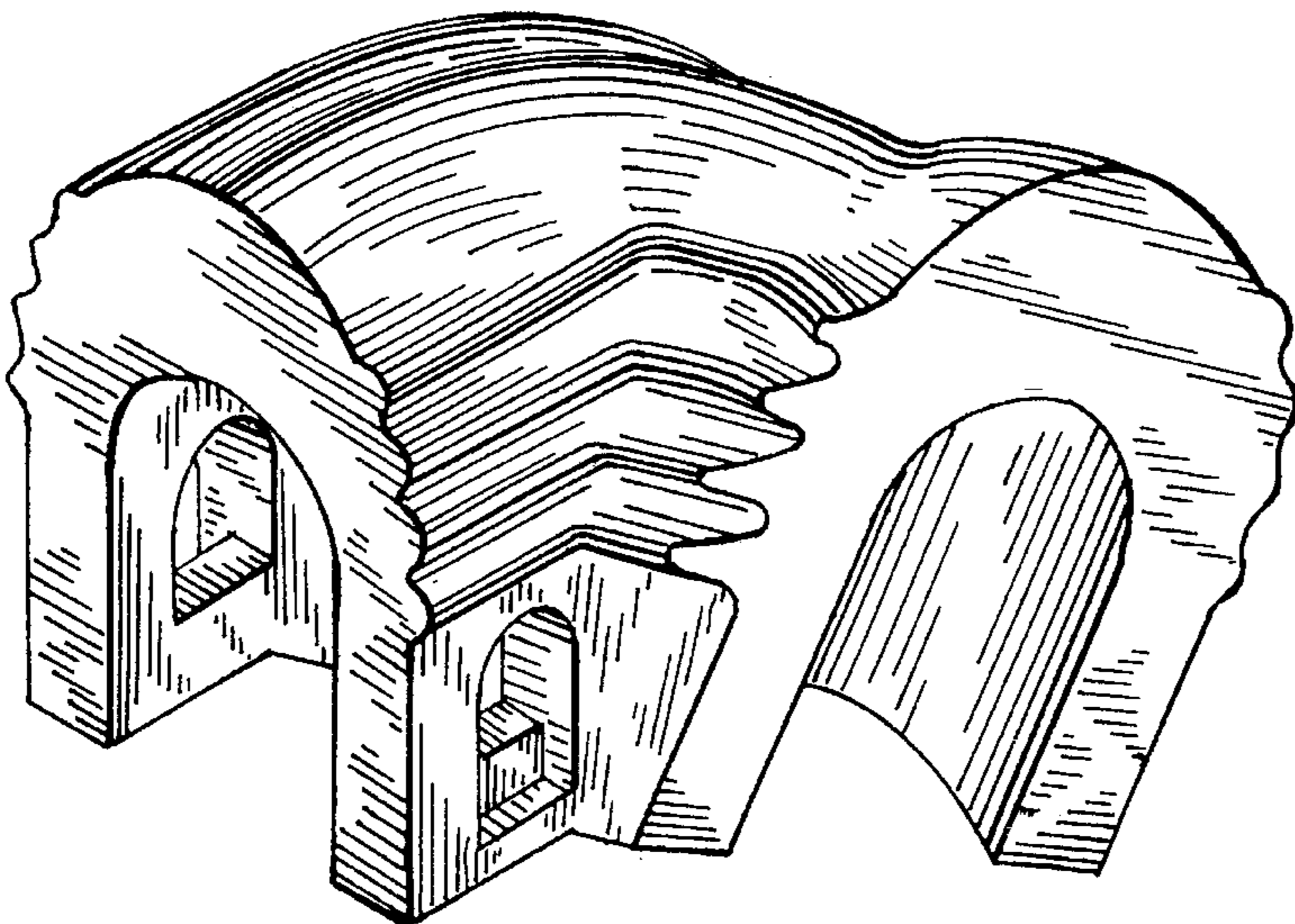


FIG. 10