



US00D378005S

United States Patent [19]

[11] Patent Number: **Des. 378,005**

Rorke et al.

[45] Date of Patent: ****Feb. 11, 1997**

[54] **FLOOR TRAVELING HEAD FOR A VACUUM CLEANER**

[75] Inventors: **Anthony B. Rorke**, Guilford; **Robert Osit**, Shelton, both of Conn.

[73] Assignee: **Black & Decker Inc.**, Newark, Del.

[**] Term: **14 Years**

[21] Appl. No.: **48,417**

[22] Filed: **Dec. 28, 1995**

[52] U.S. Cl. **D32/33**

[58] Field of Search D32/21, 22, 31-34;
15/350, 351, 352, 344, 329

D. 329,512	9/1992	McKnight et al.	D32/32
D. 334,257	3/1993	Lawrence et al.	D32/22
D. 334,262	3/1993	Lawrence et al.	D32/32
D. 346,469	4/1994	Furcron et al.	D32/22
D. 352,809	11/1994	Reath	D32/31
D. 353,236	12/1994	Burkhardt et al.	D32/32
D. 355,282	2/1995	Lawrence et al.	D32/22
D. 355,285	2/1995	Lawrence et al.	D32/32
D. 356,880	3/1995	Kieft	D32/31

Primary Examiner—Ruth McInroy
Attorney, Agent, or Firm—Barry E. Deutsch

[57] CLAIM

The ornamental design for a floor traveling head for a vacuum cleaner, as shown and described.

DESCRIPTION

FIG. 1 is a front, top and left side perspective view of a floor traveling head for a vacuum cleaner showing our new design;

FIG. 2 is a front elevational view thereof;

FIG. 3 is a top plan view thereof;

FIG. 4 is a right side elevational view thereof;

FIG. 5 is a left side elevational view thereof;

FIG. 6 is a rear elevational view thereof; and,

FIG. 7 is a plan bottom view thereof.

1 Claim, 4 Drawing Sheets

[56] References Cited

U.S. PATENT DOCUMENTS

D. 193,834	10/1962	Ferar	D9/2
D. 231,686	5/1974	Hewson	D7/173
D. 238,139	12/1975	Goodrich	D7/165
D. 262,539	1/1982	Wareham	D32/22
D. 263,052	2/1982	Ueda	D32/33
D. 269,558	6/1983	Essex	D32/22
D. 299,176	12/1988	Bowerman et al.	D32/22
D. 309,806	8/1990	Chieda et al.	D32/22
D. 312,518	11/1990	Schick	D32/33
D. 314,072	1/1991	Shinozaki et al.	D32/22

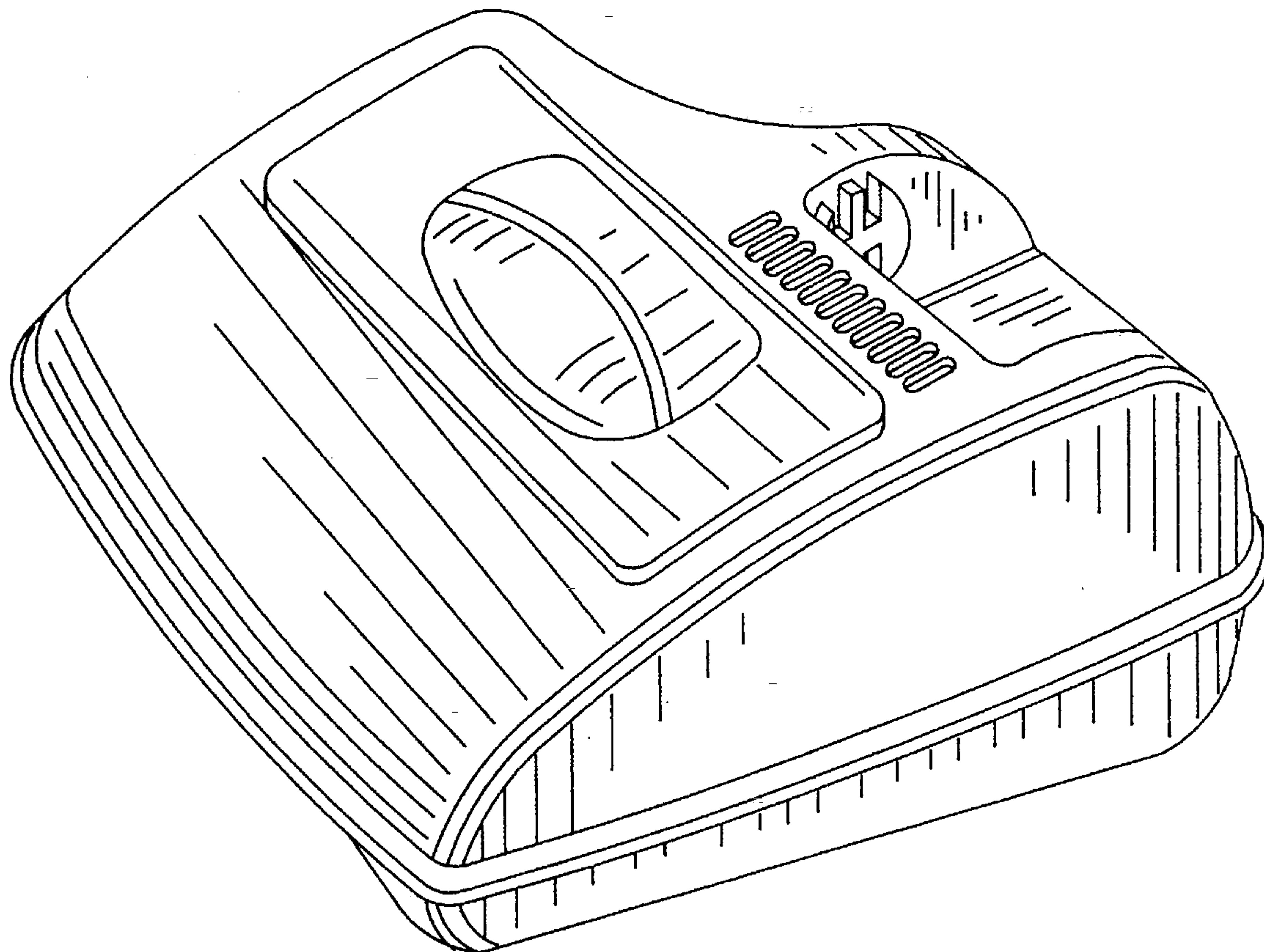


FIG. 1

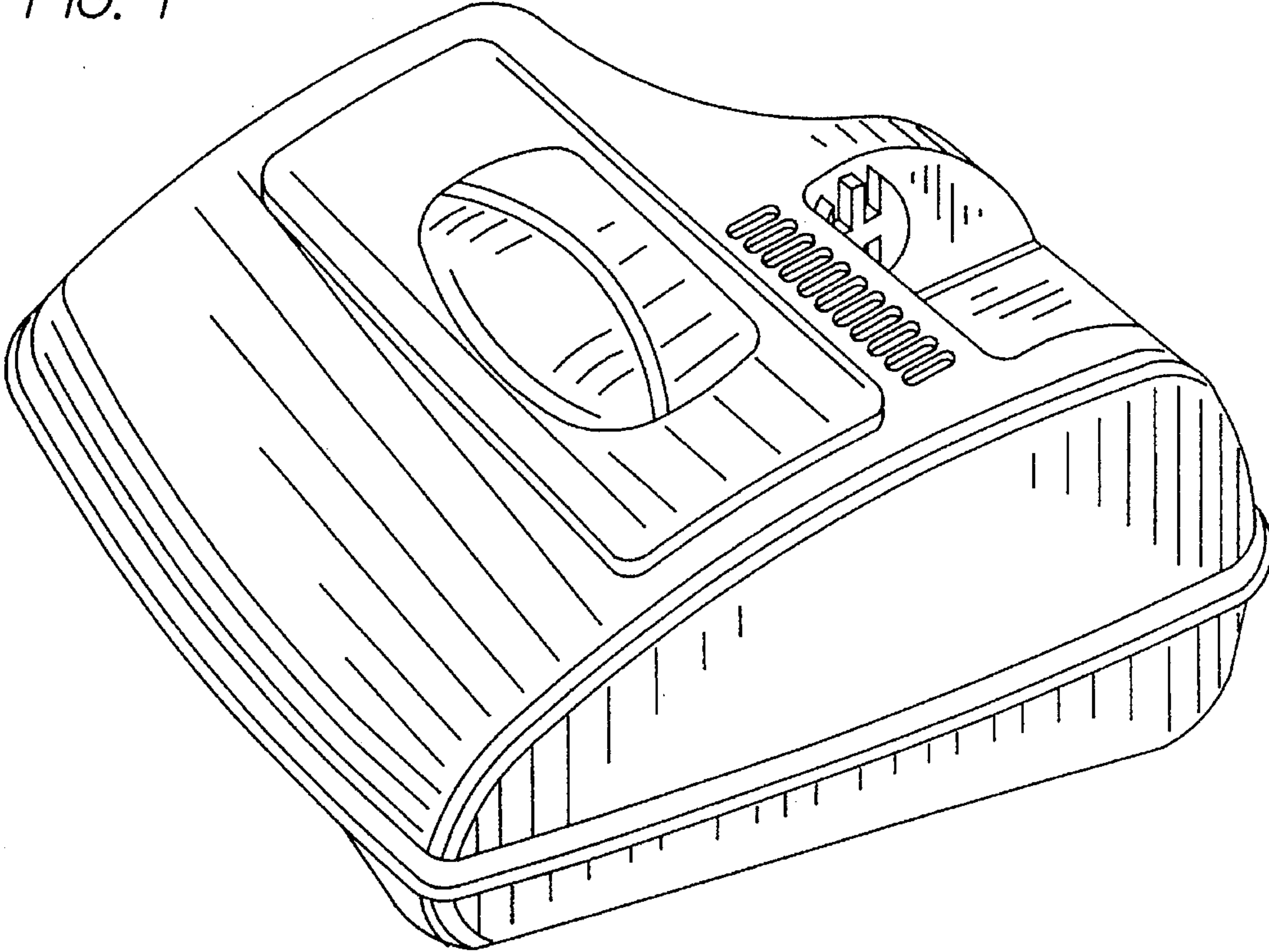


FIG. 2

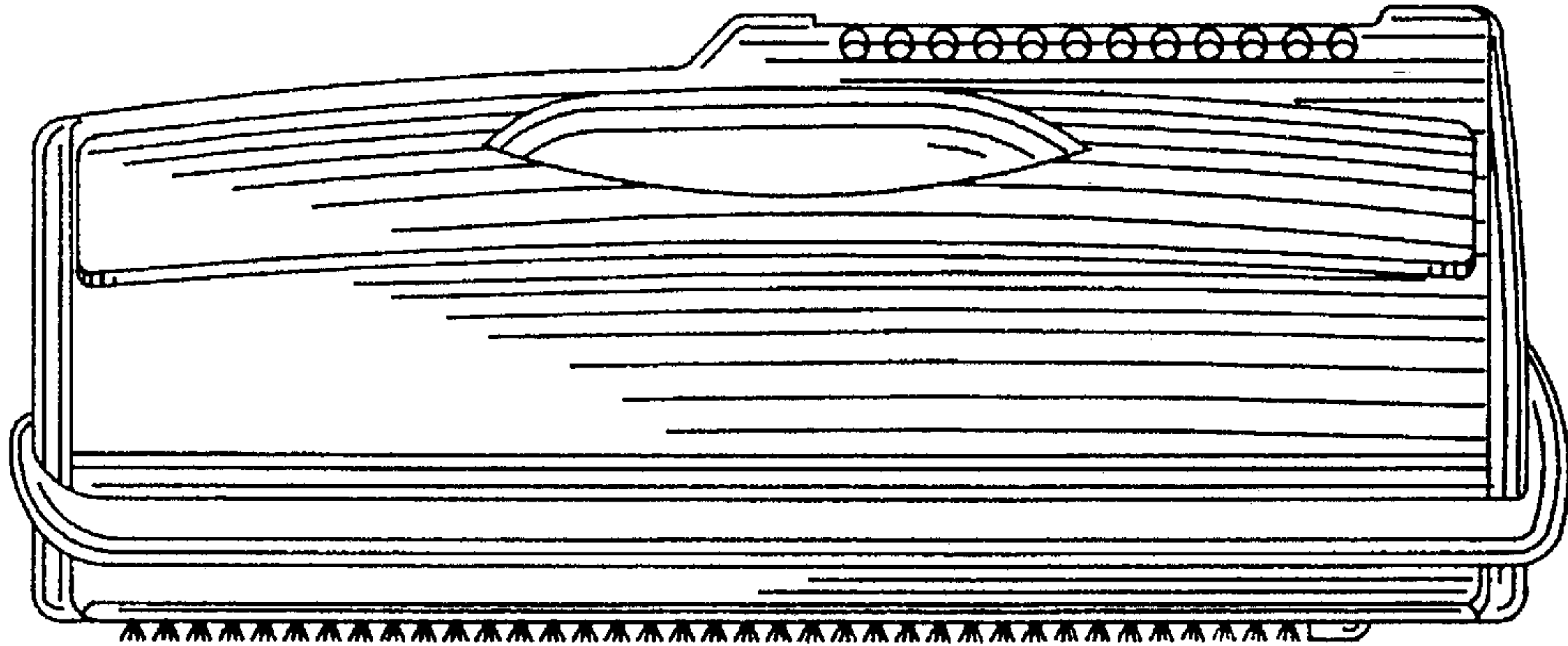


FIG. 3

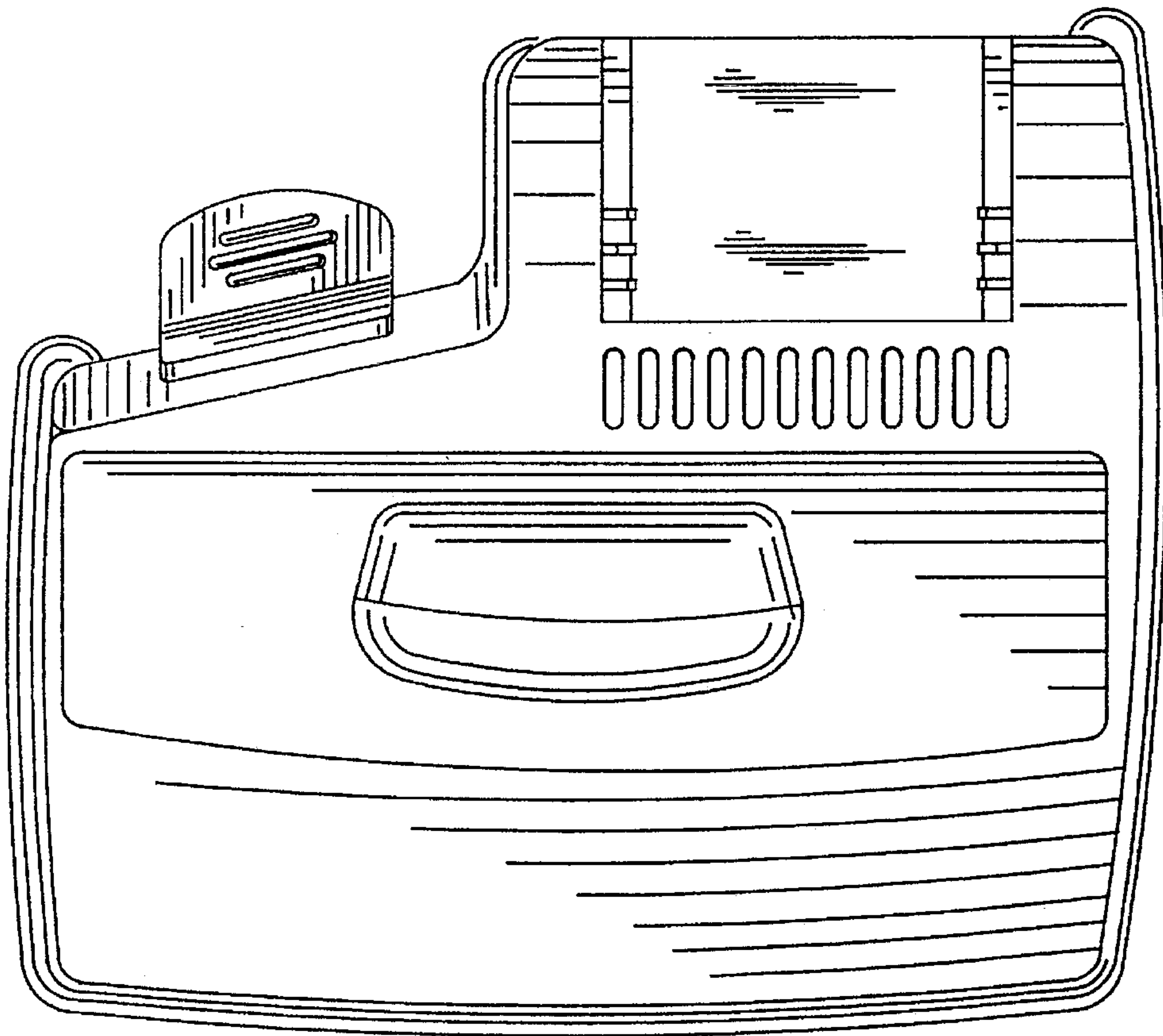


FIG. 4

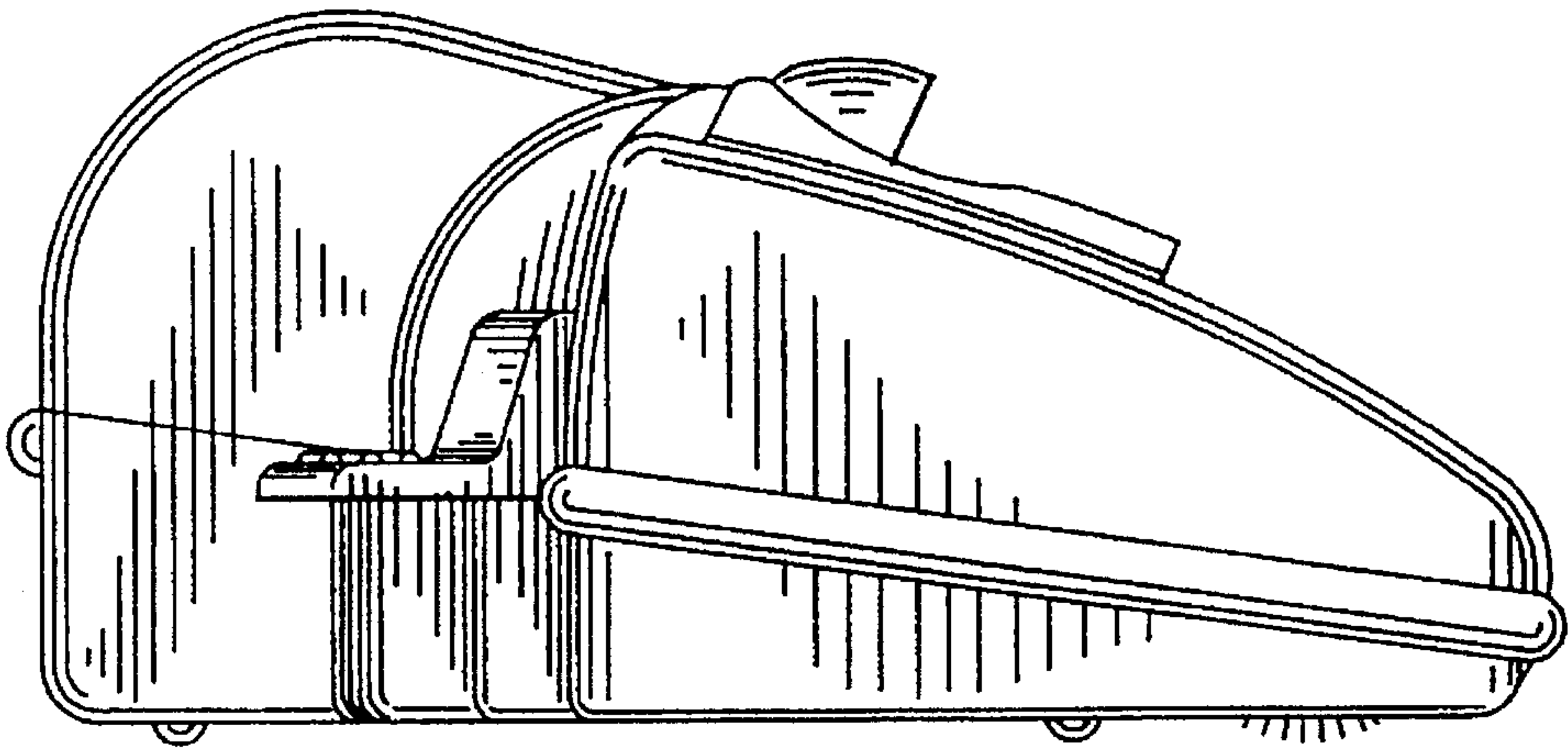


FIG. 5

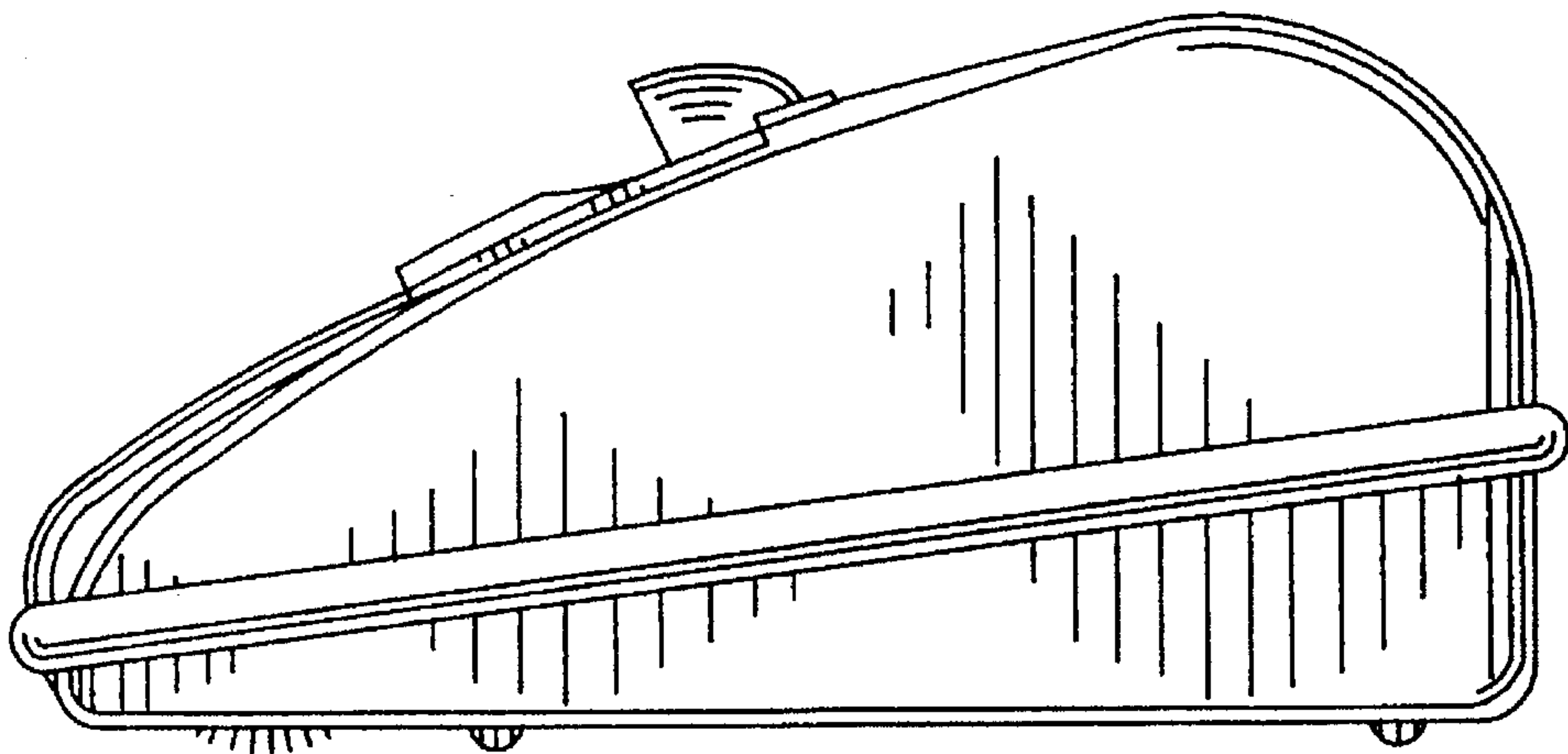


FIG. 6

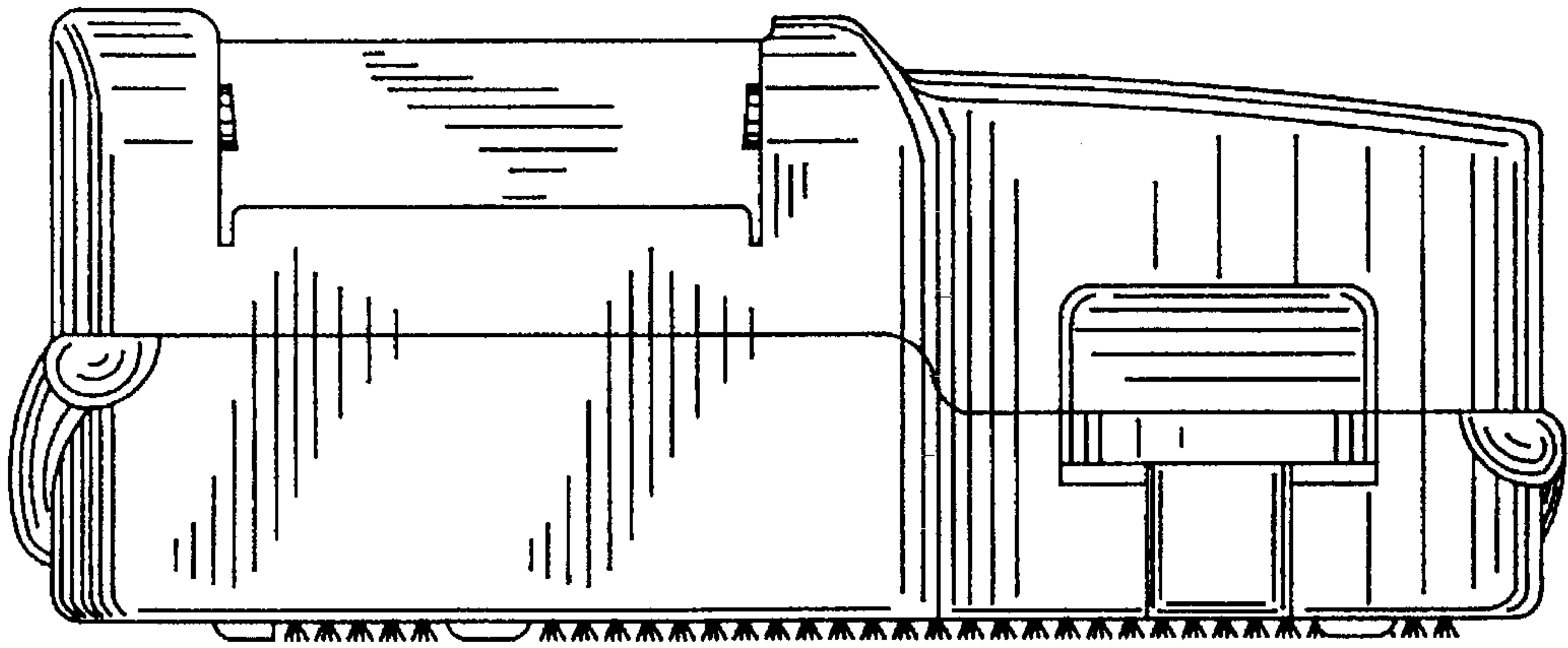


FIG. 7

