



US00D378004S

# United States Patent [19]

[11] Patent Number: **Des. 378,004**

Wilson et al.

[45] Date of Patent: **\*\*Feb. 11, 1997**

[54] **RADIAL BRUSH SEGMENT**

[75] Inventors: **Dennis W. Wilson**, Burnsville; **David E. Johnson**, Maplewood, both of Minn.

[73] Assignee: **Minnesota Mining and Manufacturing Company**, Saint Paul, Minn.

[\*\*] Term: **14 Years**

5,233,719 8/1993 Young et al. .... 15/179  
 5,233,794 8/1993 Kikutani et al. .... 51/205 NF  
 5,304,223 4/1994 Pieper et al. .... 51/293  
 5,316,812 5/1994 Stout et al. .... 428/64  
 5,400,458 3/1995 Rambosek ..... 15/179  
 5,443,906 8/1995 Pihl ..... 428/370

[21] Appl. No.: **46,485**

[22] Filed: **Nov. 16, 1995**

### FOREIGN PATENT DOCUMENTS

2043501 10/1980 United Kingdom .  
 2280142 1/1995 United Kingdom .  
 2281075 2/1995 United Kingdom .  
 WO95/23539 9/1995 WIPO .

[52] **U.S. Cl.** ..... **D32/25**

[58] **Field of Search** ..... **D32/25; 15/179, 15/180, 182; 264/236**

### OTHER PUBLICATIONS

Brochure entitled *3M Diamond Resin Turtle Disc*, 3M Abrasive Systems Division, 3 pages (undated).

Joseph Gaser, *Advancements in Flexible Abrasive Finishing Tools*, Technical Paper, Society of Manufacturing Engineers, SME No. MR93-135, 1993.

Joseph P. Gaser, *Applications with Abrasive Nylon Filament Tools*, Technical Paper, Society of Manufacturing Engineers, SME No. MR93-326, 1993.

Prasad S. Mahadev and Richard C. Sawyer, Jr., *Tufted Nylon Abrasive Filament (TNAF) Disc Brushes—A New Alternative to Deburring, Edge RADIUSING and Finishing Problems*, Technical Paper, Society of Manufacturing Engineers, SME No. MR93-317, 1993.

### [56] References Cited

#### U.S. PATENT DOCUMENTS

Re. 26,403	6/1968	Kutik .....	15/187
D. 194,093	11/1962	Mullinix et al. ....	D32/25
D. 369,447	4/1996	Mann et al. ....	D32/25
2,328,998	9/1943	Radford .....	51/185
2,682,734	7/1954	Peterson .....	51/190
2,826,776	3/1958	Peterson .....	15/179
2,878,048	3/1959	Peterson .....	288/2
2,984,053	5/1961	Peterson .....	51/193.5
3,016,554	1/1962	Peterson .....	15/159
3,076,219	2/1963	Peterson .....	15/179
3,090,061	5/1963	Charvat .....	15/159
3,134,122	5/1964	Charvat .....	15/179
3,307,213	3/1967	Schofield .....	15/179
3,325,846	6/1967	Goss .....	15/179
3,353,200	11/1967	Charvat .....	15/179
3,372,220	3/1968	Stingley .....	264/236
3,562,968	2/1971	Johnson et al. ....	51/389
3,755,847	9/1973	Liebscher .....	15/179
4,945,687	8/1990	Scheider et al. ....	51/394
5,045,091	9/1991	Abrahamson et al. ....	51/293
5,129,197	7/1992	Tyler et al. ....	51/358
5,170,593	12/1992	Tyler et al. ....	51/334
5,174,795	12/1992	Wiand .....	51/295
5,187,904	2/1993	Tyler et al. ....	51/330
5,209,760	5/1993	Wiand .....	51/293
5,216,847	6/1993	Scheider et al. ....	51/330
5,232,470	8/1993	Wiand .....	51/295

*Primary Examiner*—Ted Shooman  
*Assistant Examiner*—Mitchell I. Siegel  
*Attorney, Agent, or Firm*—Gary L. Griswold; Walter N. Kim; James J. Trussell

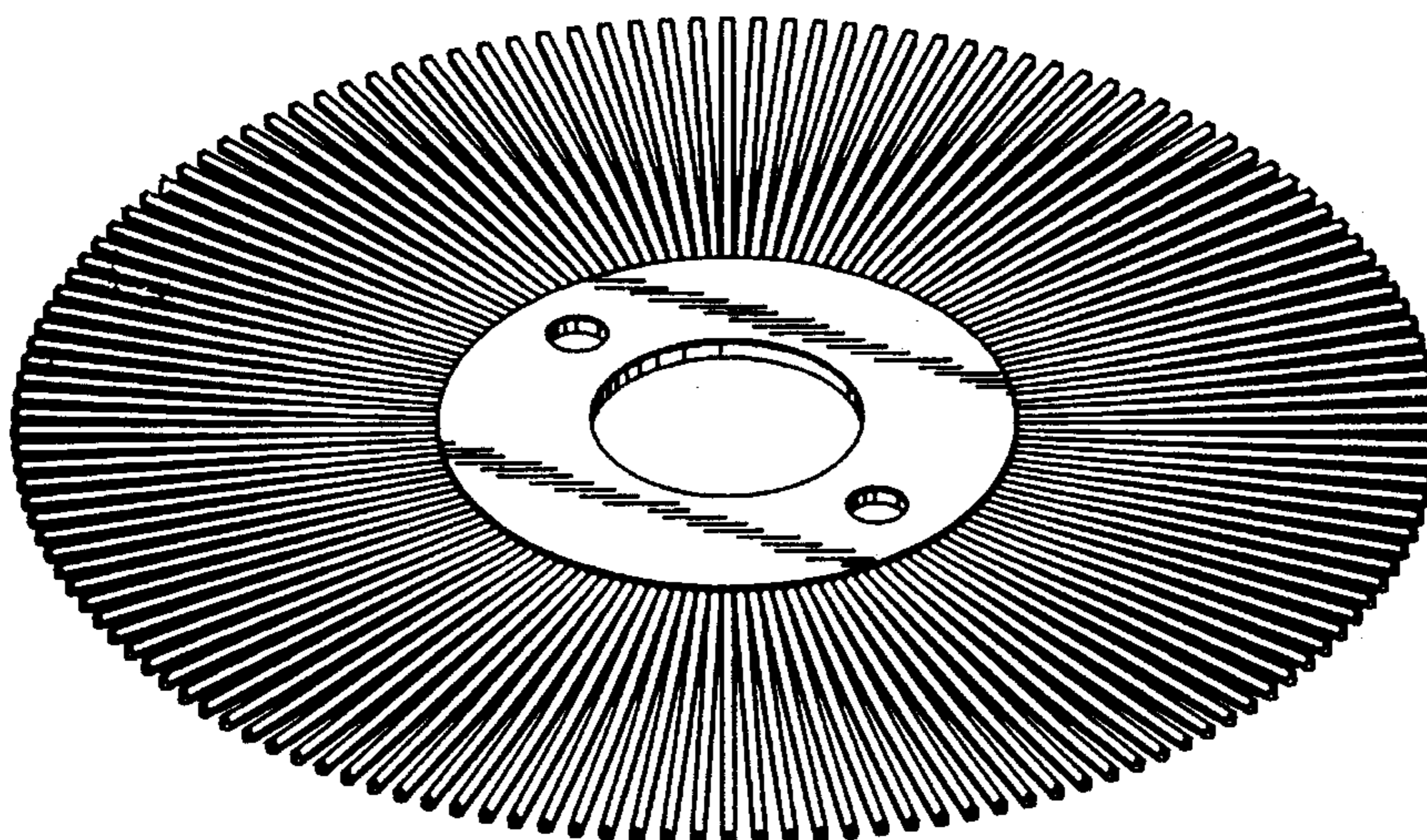
### [57] CLAIM

The ornamental design for a radial brush segment, as shown and described.

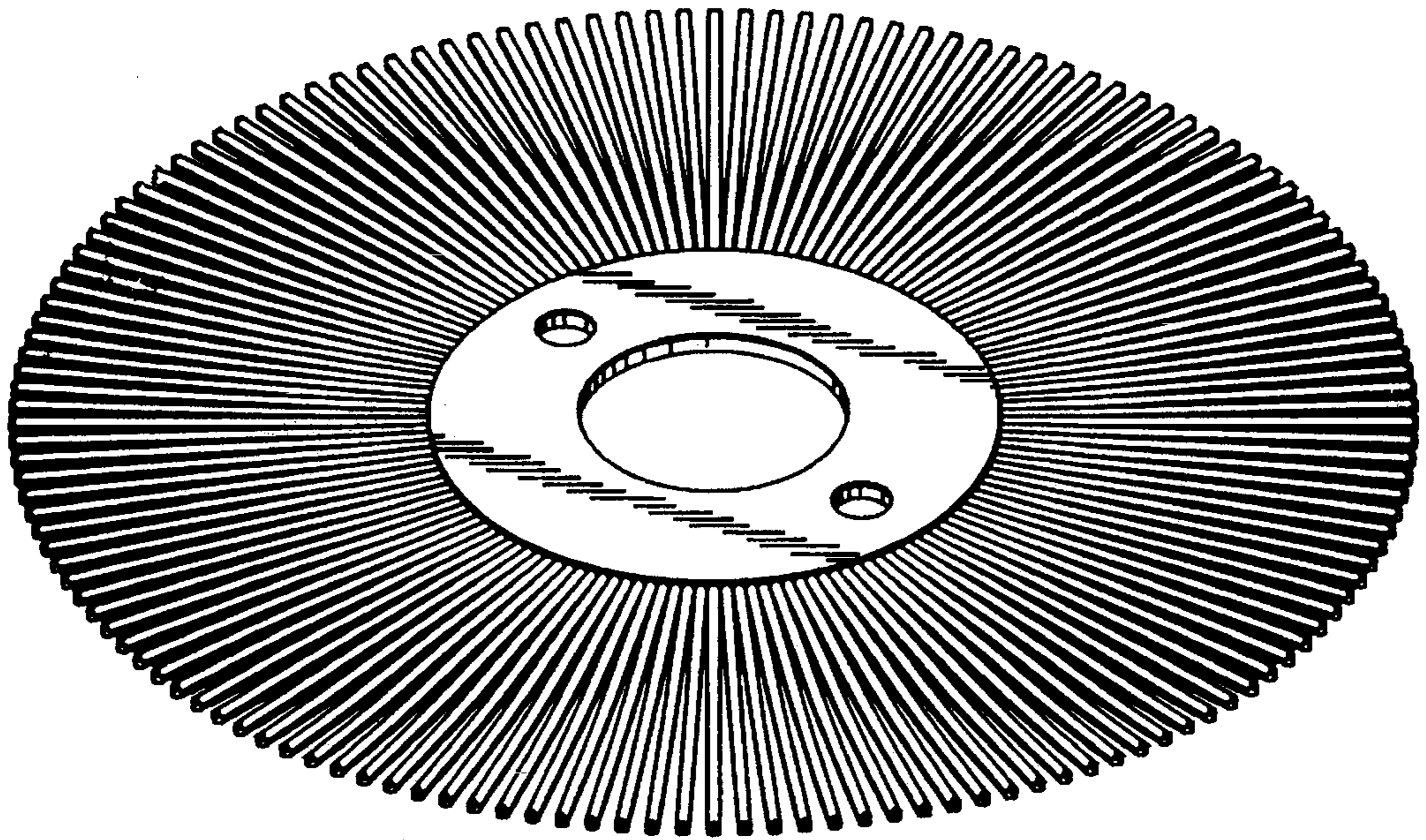
### DESCRIPTION

FIG. 1 is a top perspective view of a radial brush segment showing our new design;  
 FIG. 2 is a top plan view thereof;  
 FIG. 3 is a bottom plan view thereof; and,  
 FIG. 4 is a side elevation view thereof.

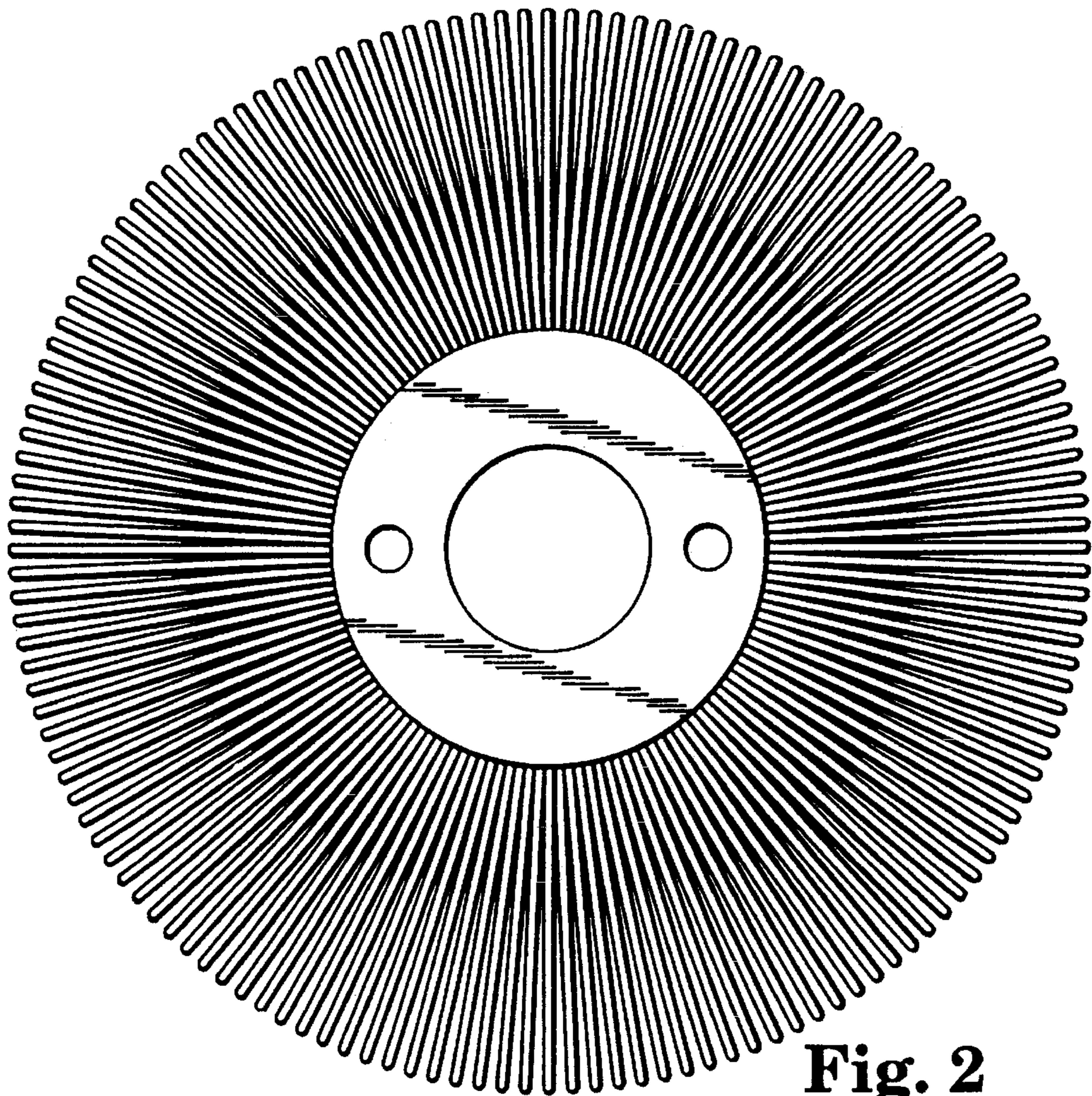
1 Claim, 2 Drawing Sheets





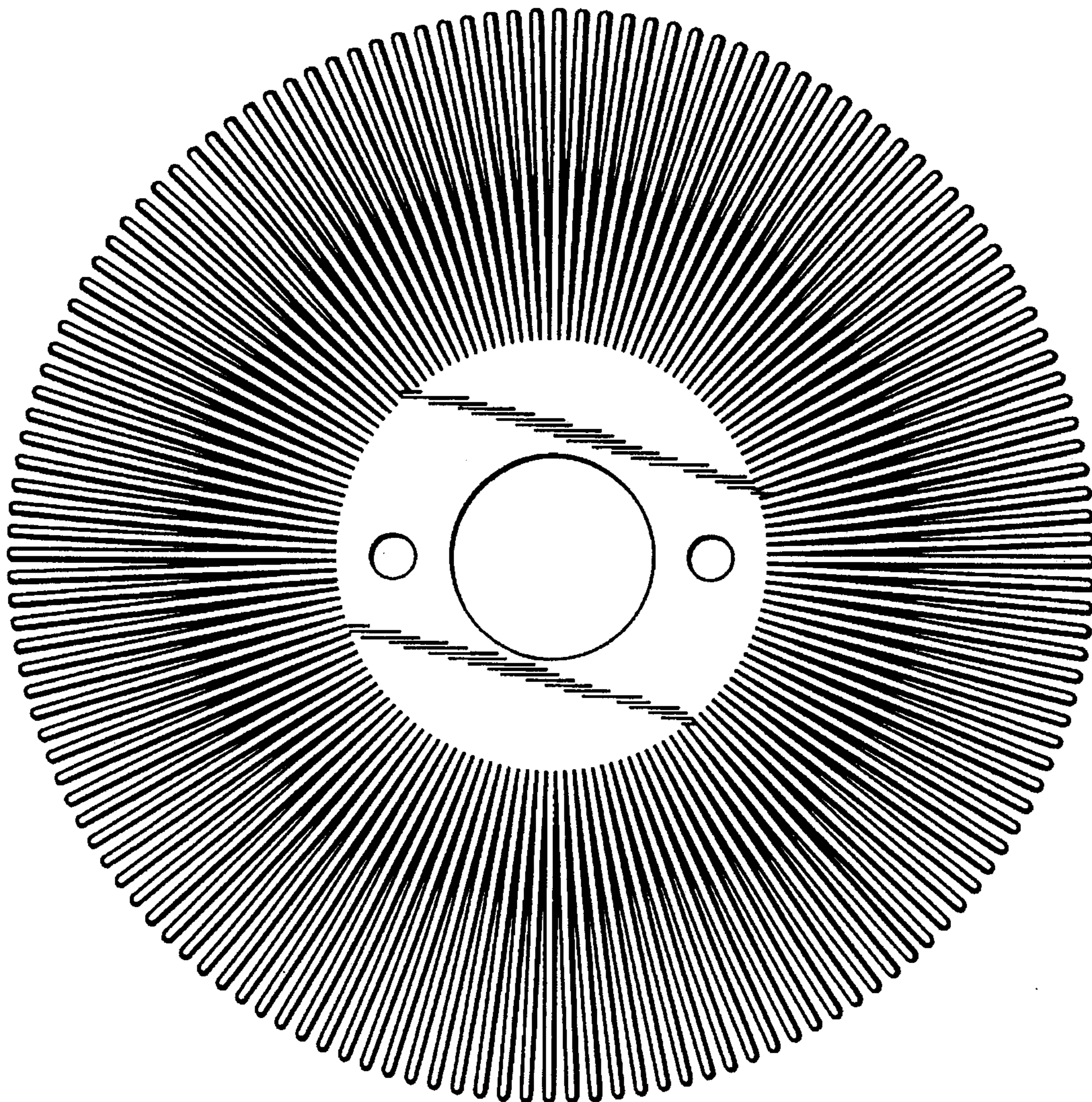


**Fig. 1**



**Fig. 2**





**Fig. 3**



**Fig. 4**