



US00D378002S

United States Patent [19]

Hung

[11] Patent Number: **Des. 378,002**

[45] Date of Patent: ****Feb. 11, 1997**

[54] **COMBINED HAND-HELD POLISHING AND BUFFING APPARATUS**

[76] Inventor: **Michael Hung**, 10939 N. Pamona Ave., Kansas City, Mo. 64153

[**] Term: **14 Years**

[21] Appl. No.: **46,533**

[22] Filed: **Nov. 17, 1995**

[52] U.S. Cl. **D32/19**

[58] Field of Search D32/15, 19; D8/62; 15/97.1, 97.3, 53.2, 52.1, 50.3, 97.3; D4/137; 310/68 D

D. 313,094	12/1990	Itaya et al.	D32/19
D. 336,229	6/1993	Bunyea	D8/62
D. 349,789	8/1994	Bunyea	D32/19
4,188,682	2/1980	Burglin et al.	15/97 R
4,791,694	12/1988	Itaya et al.	15/97 R
5,008,574	4/1991	Kitahata	310/68 D

Primary Examiner—Ruth McInroy
Attorney, Agent, or Firm—Kokjer, Kircher, Bowman & Johnson

[57] CLAIM

The ornamental design for a combined hand-held polishing and buffing apparatus, as shown and described.

DESCRIPTION

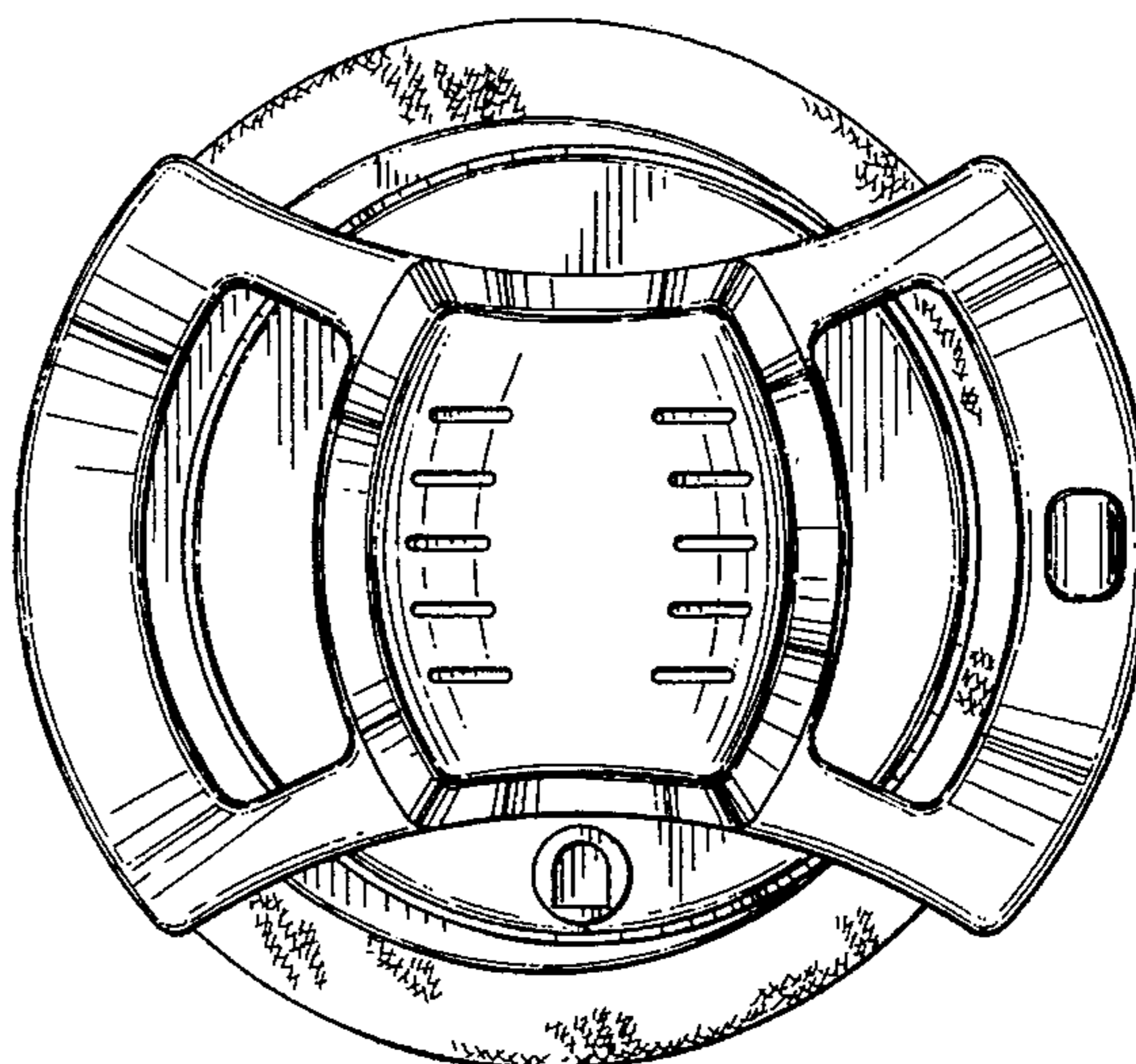
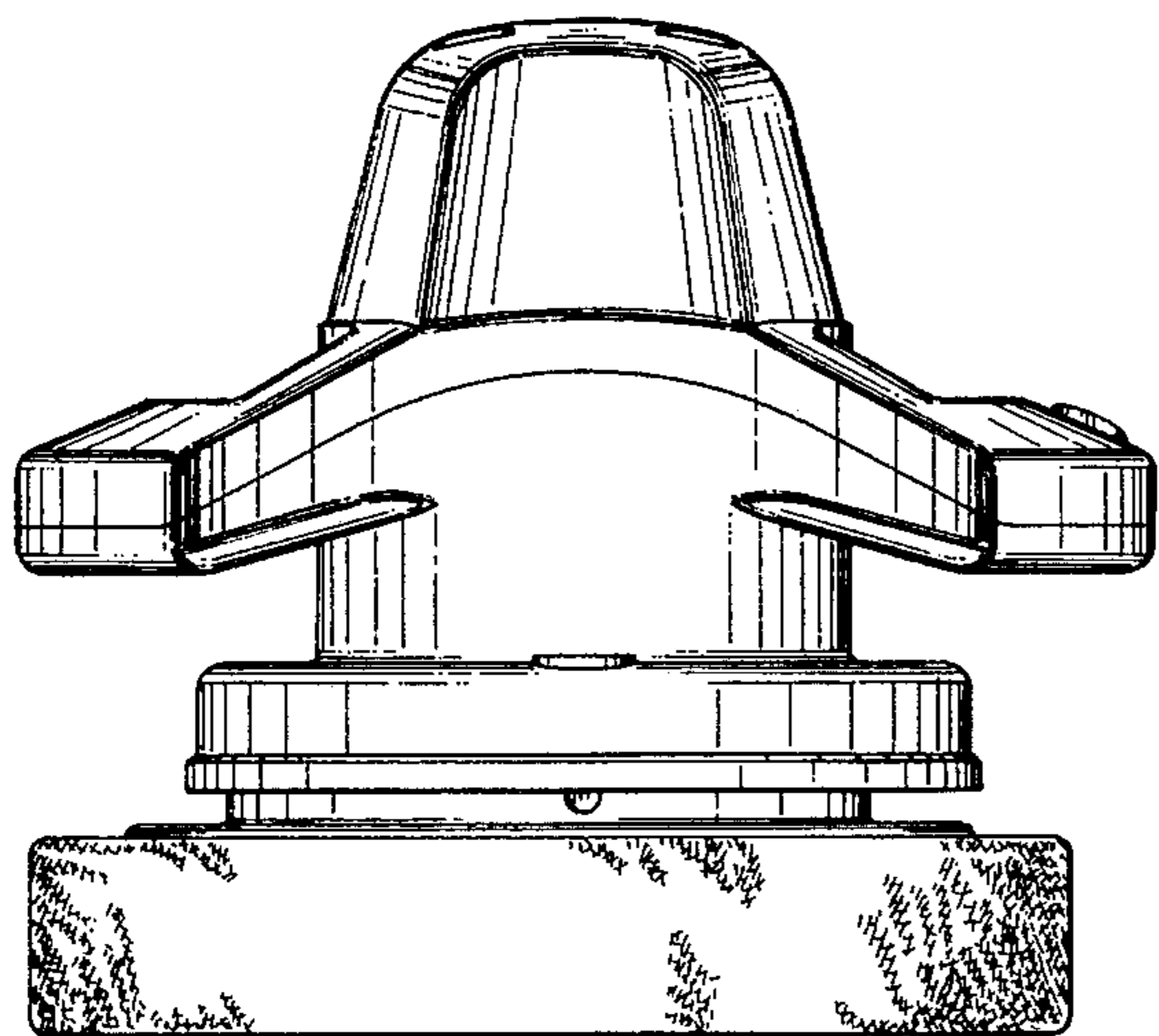
FIG. 1 is a side elevational view of a combined hand-held polishing and buffing apparatus showing my new design; FIG. 2 is a end elevational view taken from the left end in FIG. 1; FIG. 3 is a right end elevational view of the opposite side of FIG. 3; FIG. 4 is a top plan view thereof; and, FIG. 5 is a bottom plan view thereof.

1 Claim, 2 Drawing Sheets

[56] References Cited

U.S. PATENT DOCUMENTS

D. 252,731	8/1979	Parise	D8/62
D. 254,231	1/1980	Burglin et al.	D8/62
D. 270,515	9/1983	Dunlap	D8/67
D. 273,079	3/1984	Ibaraki	D8/67
D. 283,590	4/1986	Ibaraki	D8/62
D. 295,253	4/1988	Ashworth	D8/62
D. 312,714	12/1990	Simonelli et al.	D32/19



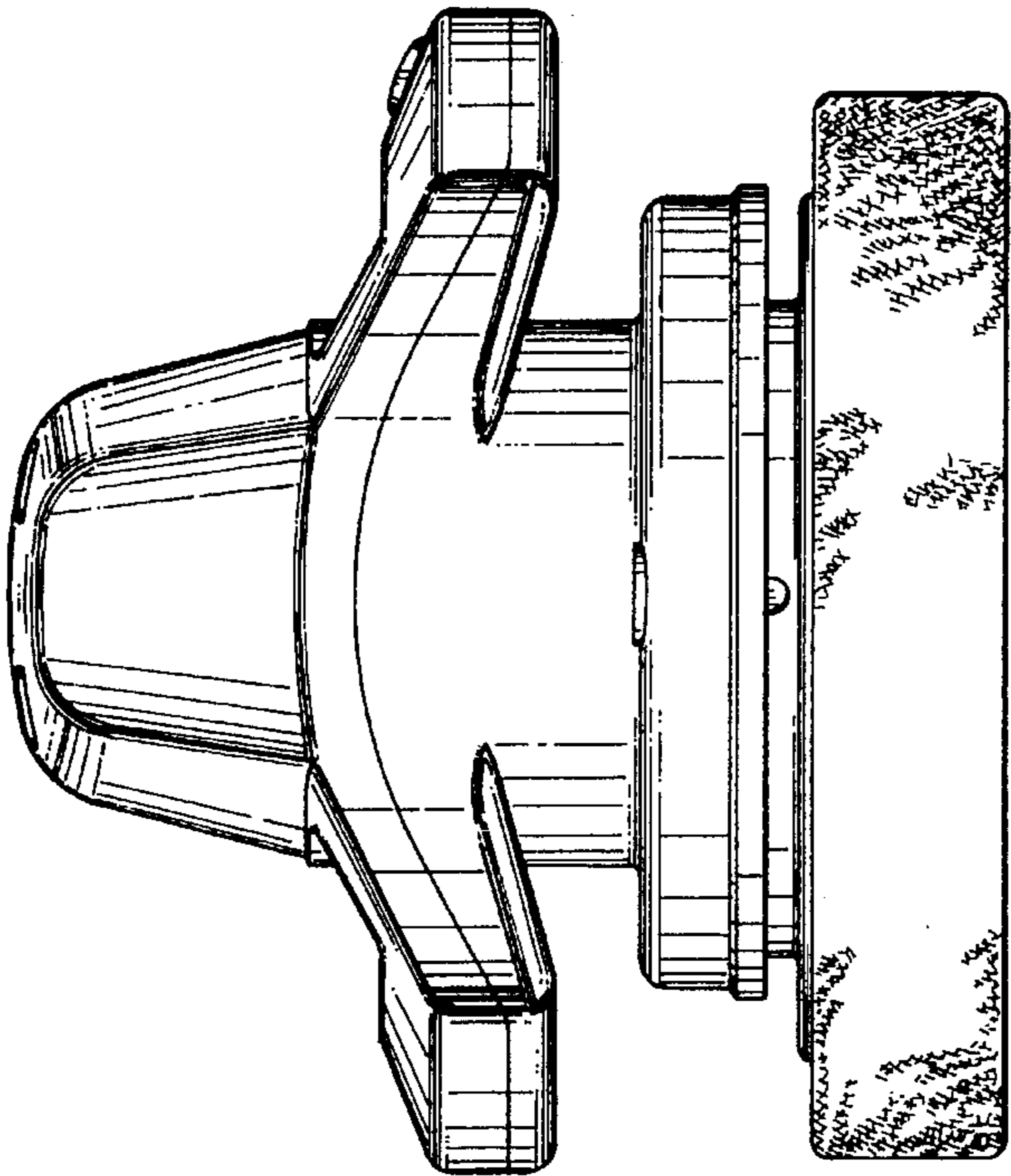


Fig. 1.

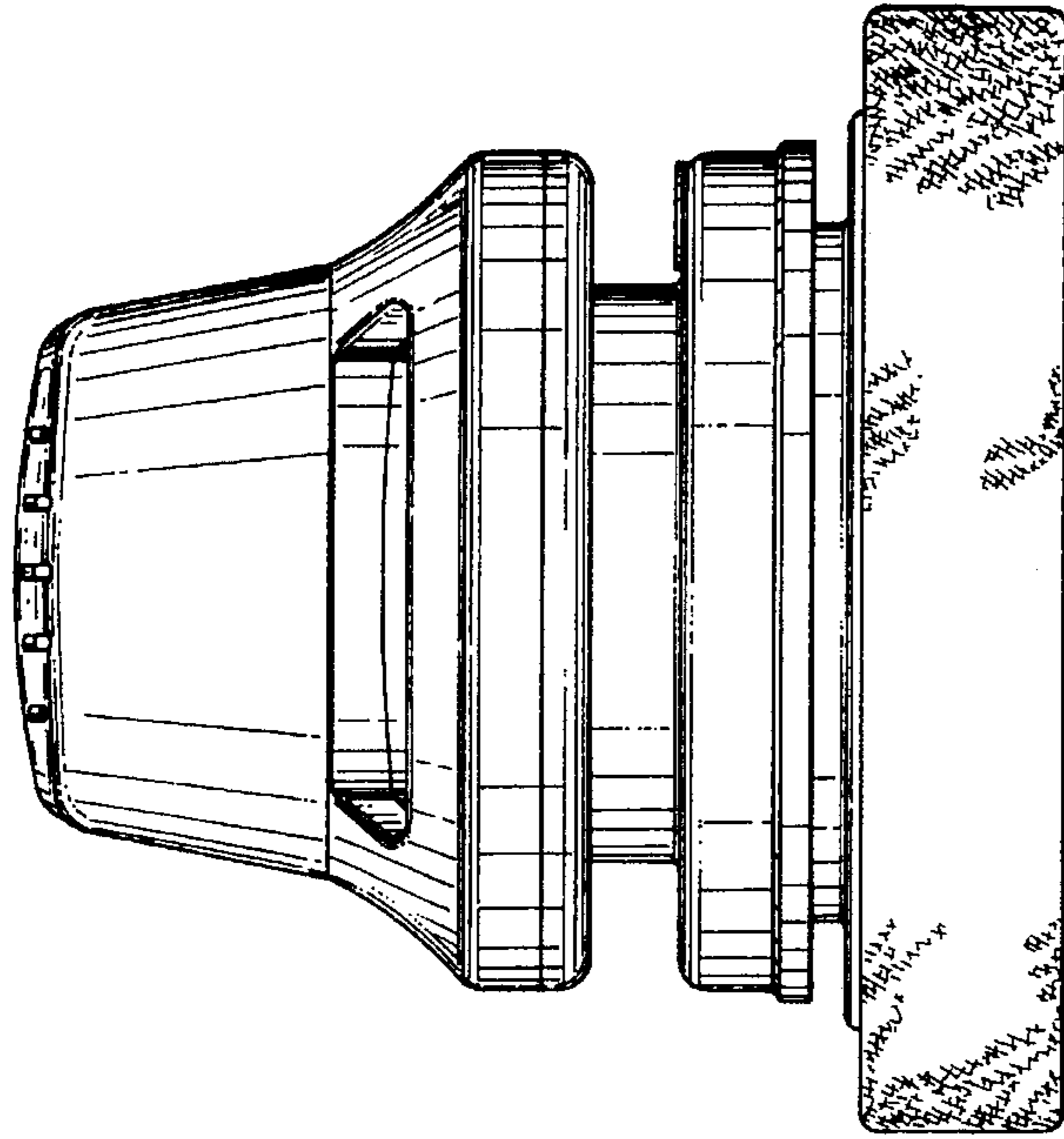


Fig. 2.

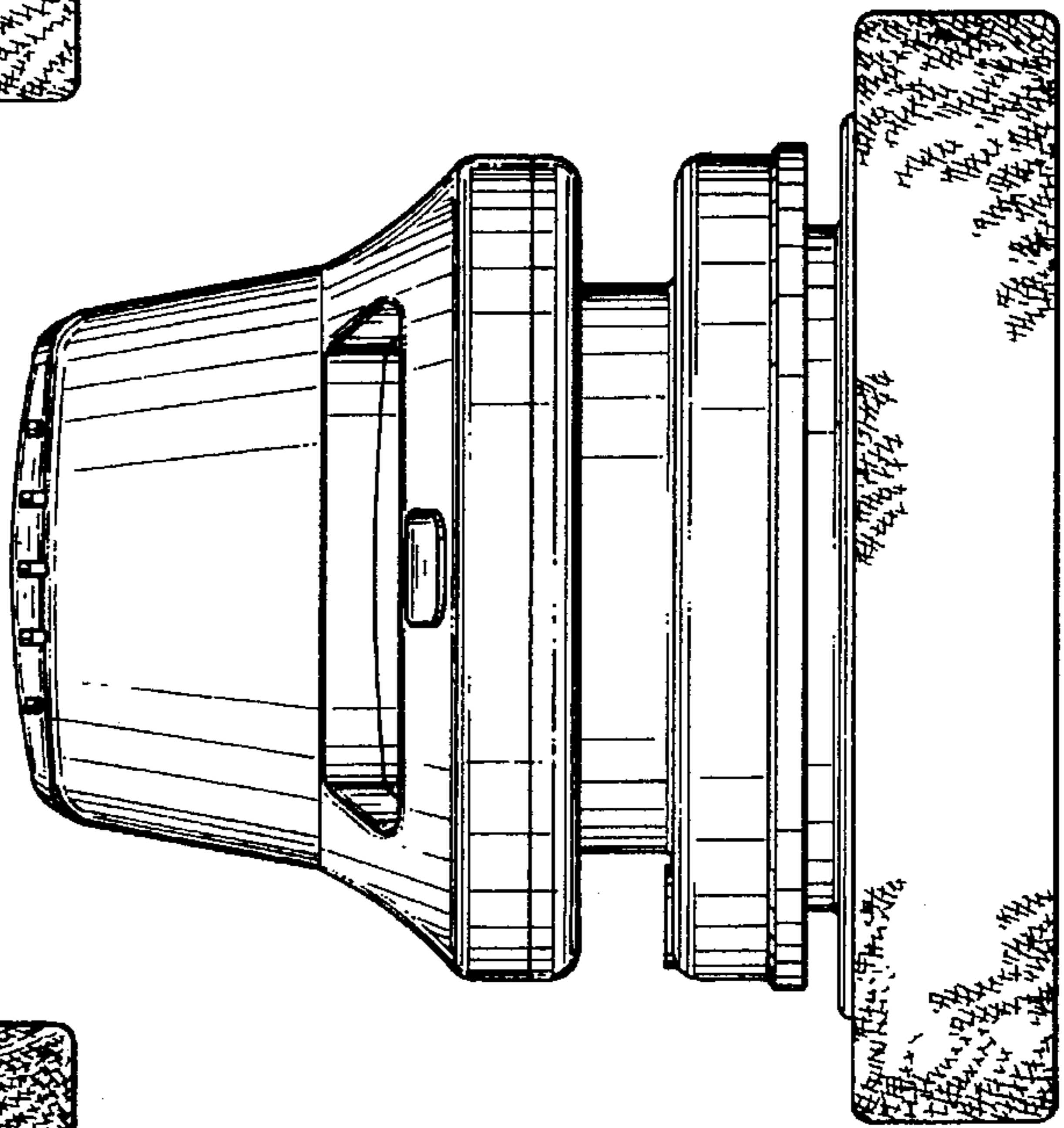


Fig. 3.

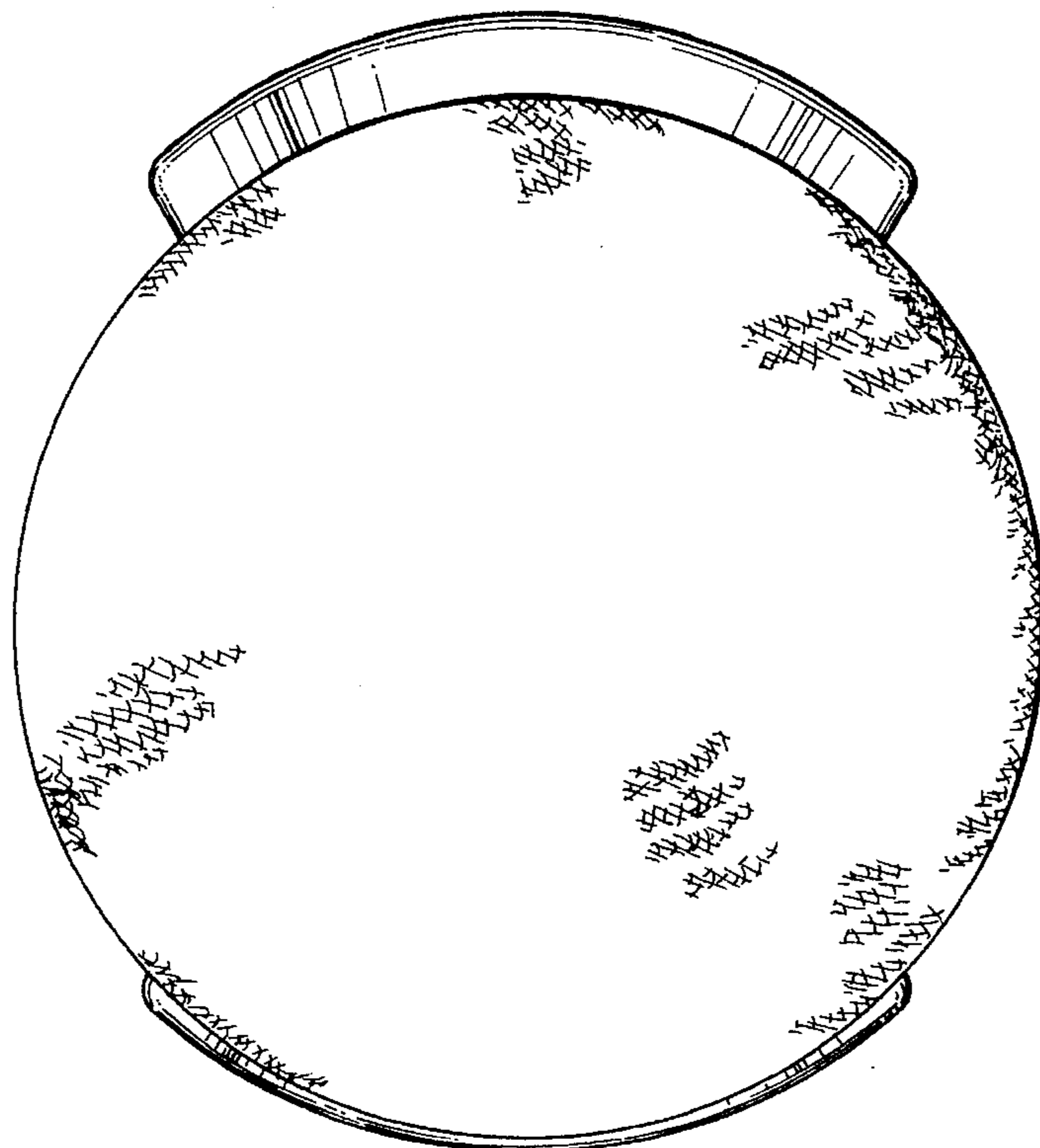


Fig. 5.

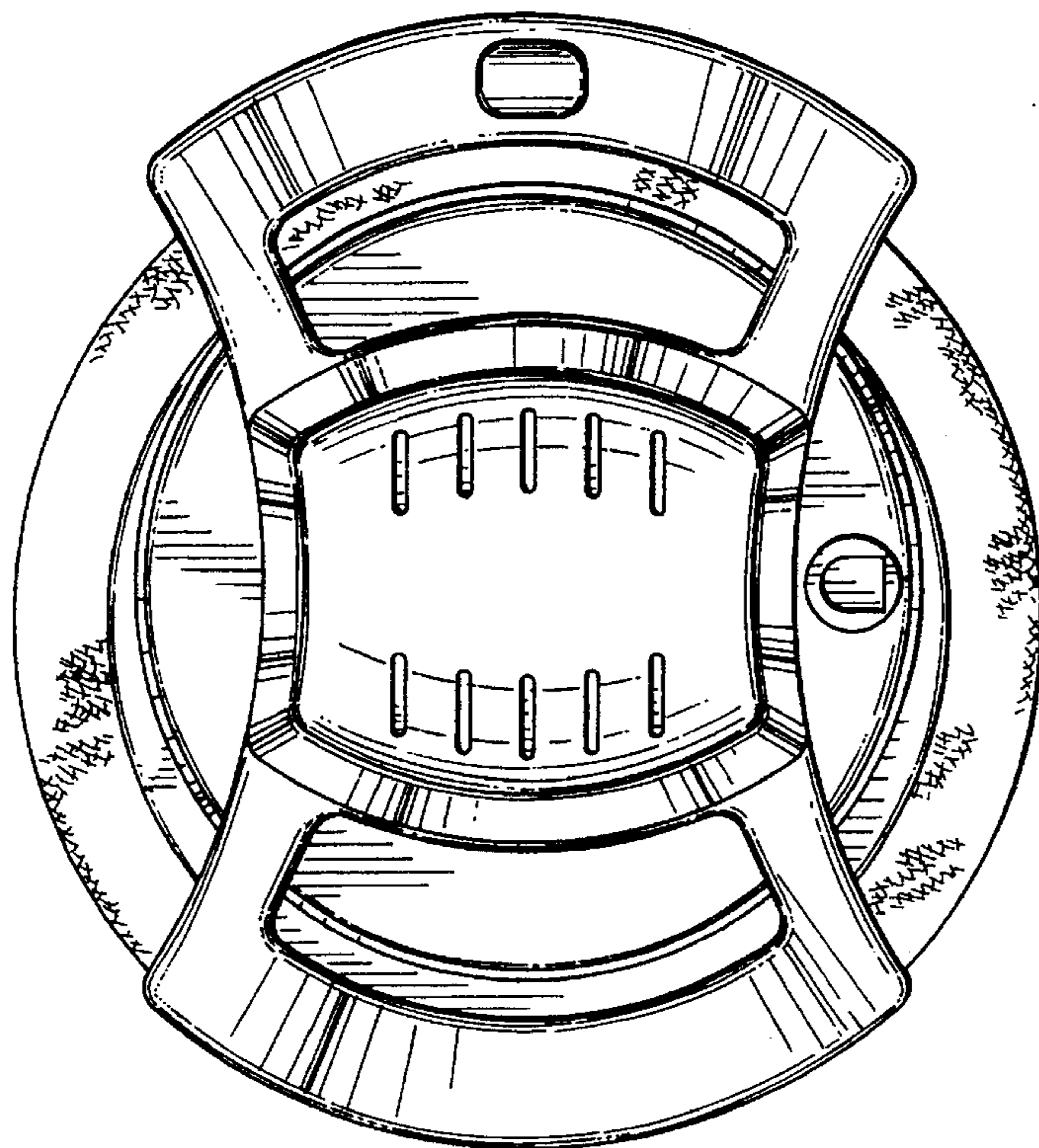


Fig. 4.