



US00D377993S

# United States Patent [19]

[11] Patent Number: **Des. 377,993**

**Herst et al.**

[45] Date of Patent: **\*\*Feb. 11, 1997**

[54] **INDIRECT LIGHTING FIXTURE**

[75] Inventors: **Douglas J. Herst, Ross; Utkan Salman**, Oakland, both of Calif.

[73] Assignee: **Peerless Lighting Corporation**, Berkeley, Calif.

[\*\*] Term: **14 Years**

[21] Appl. No.: **43,952**

[22] Filed: **Sep. 14, 1995**

[52] U.S. Cl. .... **D26/107; D26/76; D26/85**

[58] Field of Search ..... **D26/72, 80-92, D26/102-112; 362/147, 432, 217, 220, 224, 225, 410-414**

[56] **References Cited**

**U.S. PATENT DOCUMENTS**

D. 127,683	6/1941	Livers	.....	D26/105
D. 321,407	11/1991	Heidmann	.....	D26/72
D. 348,746	7/1994	Herst et al.	.....	D26/85
D. 348,950	7/1994	Herst et al.	.....	D26/85
D. 349,357	8/1994	Herst et al.	.....	D26/85
D. 349,358	8/1994	Herst et al.	.....	D26/85
D. 356,876	3/1995	Waldmann	.....	D26/107
5,276,597	1/1994	Herst et al.	.....	362/225

*Primary Examiner*—Susan J. Lucas  
*Attorney, Agent, or Firm*—Donald L. Beeson

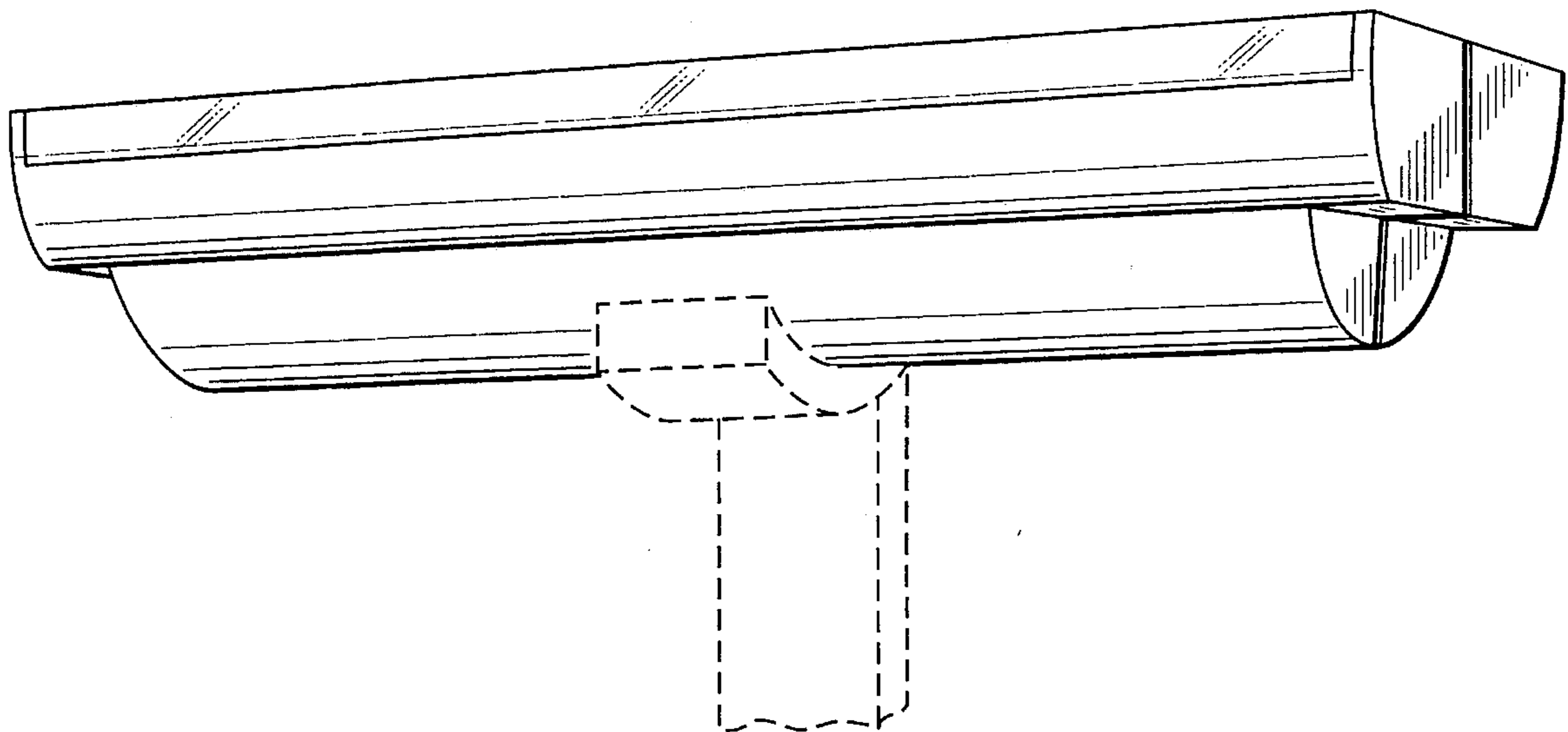
[57] **CLAIM**

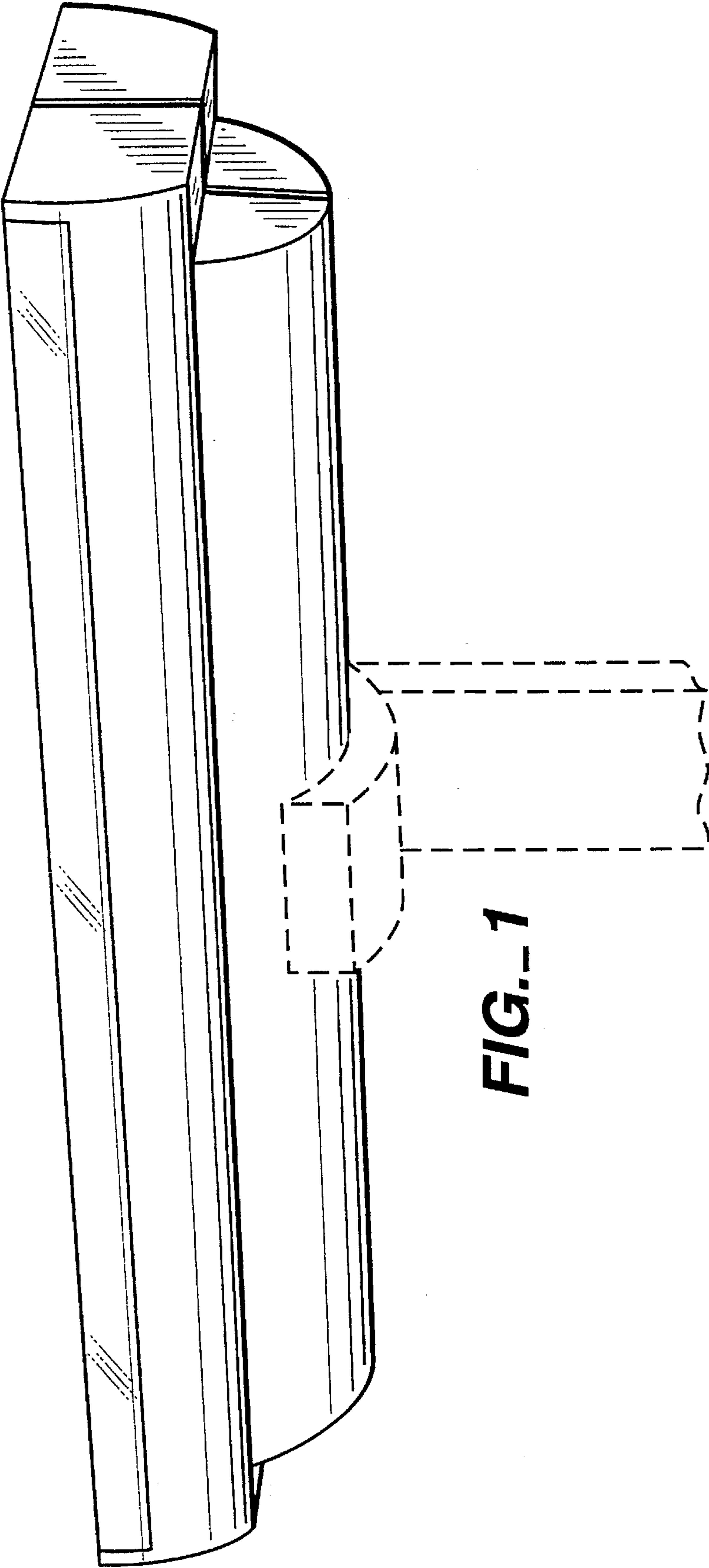
The ornamental design for an indirect lighting fixture, as shown and described.

**DESCRIPTION**

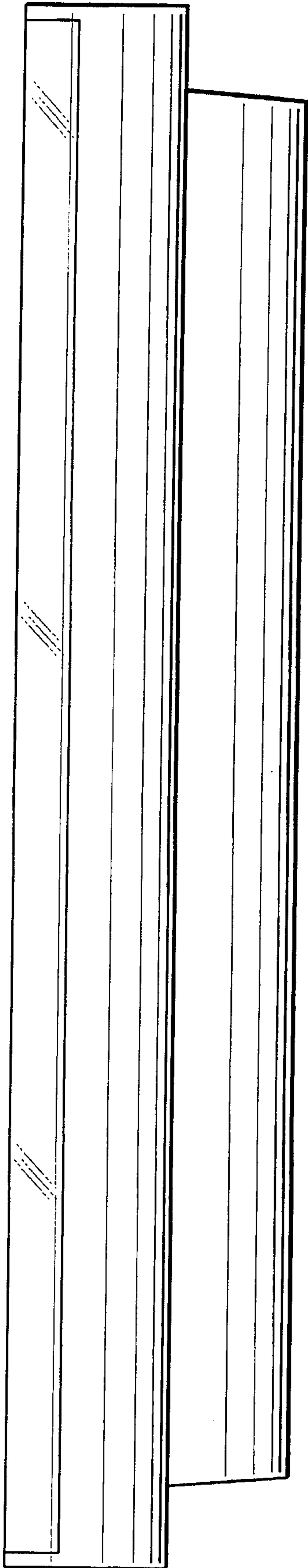
FIG. 1 is a bottom perspective view of an indirect lighting fixture in accordance with our new design;  
FIG. 2 is a front elevational view thereof on an enlarged scale, the rear elevational view being a mirror image;  
FIG. 3 is a right side elevational view thereof on an enlarged scale, the left side elevational view being a mirror image;  
FIG. 4 is a bottom plan view thereof on an enlarged scale;  
FIG. 5 is a top plan view thereof on an enlarged scale; and  
FIG. 6 is a front elevational view of an alternative embodiment of an indirect lighting fixture in accordance with our new design, the rear elevational view being a mirror image, and the front and side elevational views and top and bottom plan views being identical to the views shown in FIGS. 3-5.  
The broken lines shown in FIG. 1 are for illustrative purposes only.

**1 Claim, 4 Drawing Sheets**

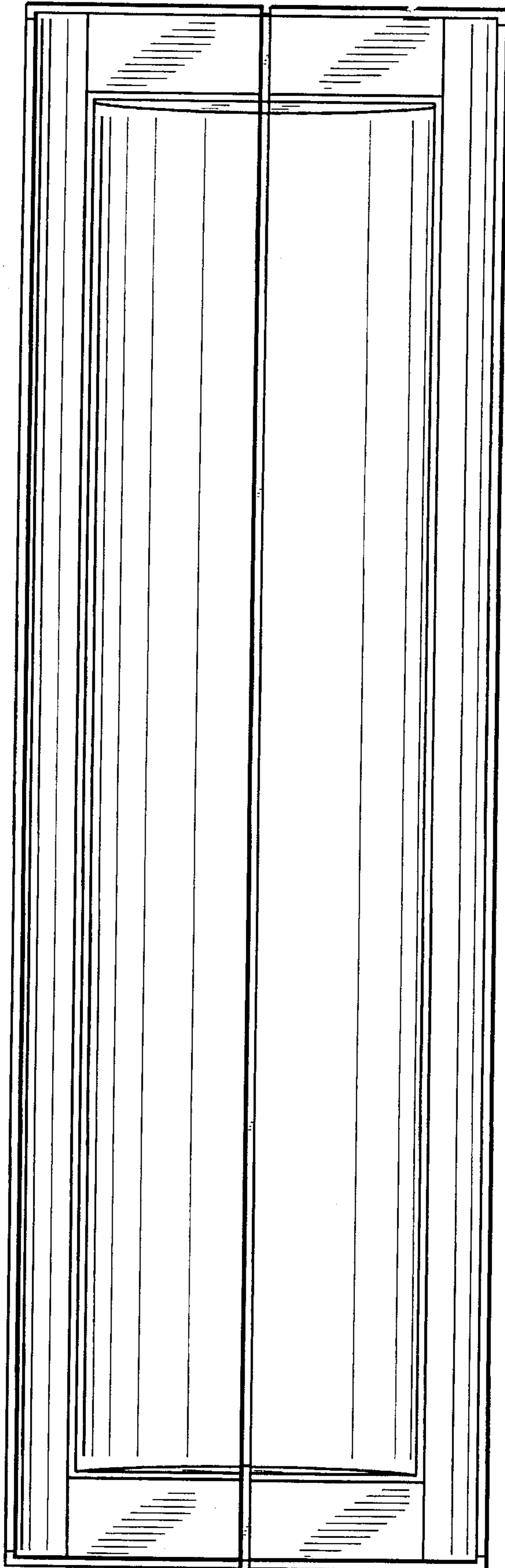




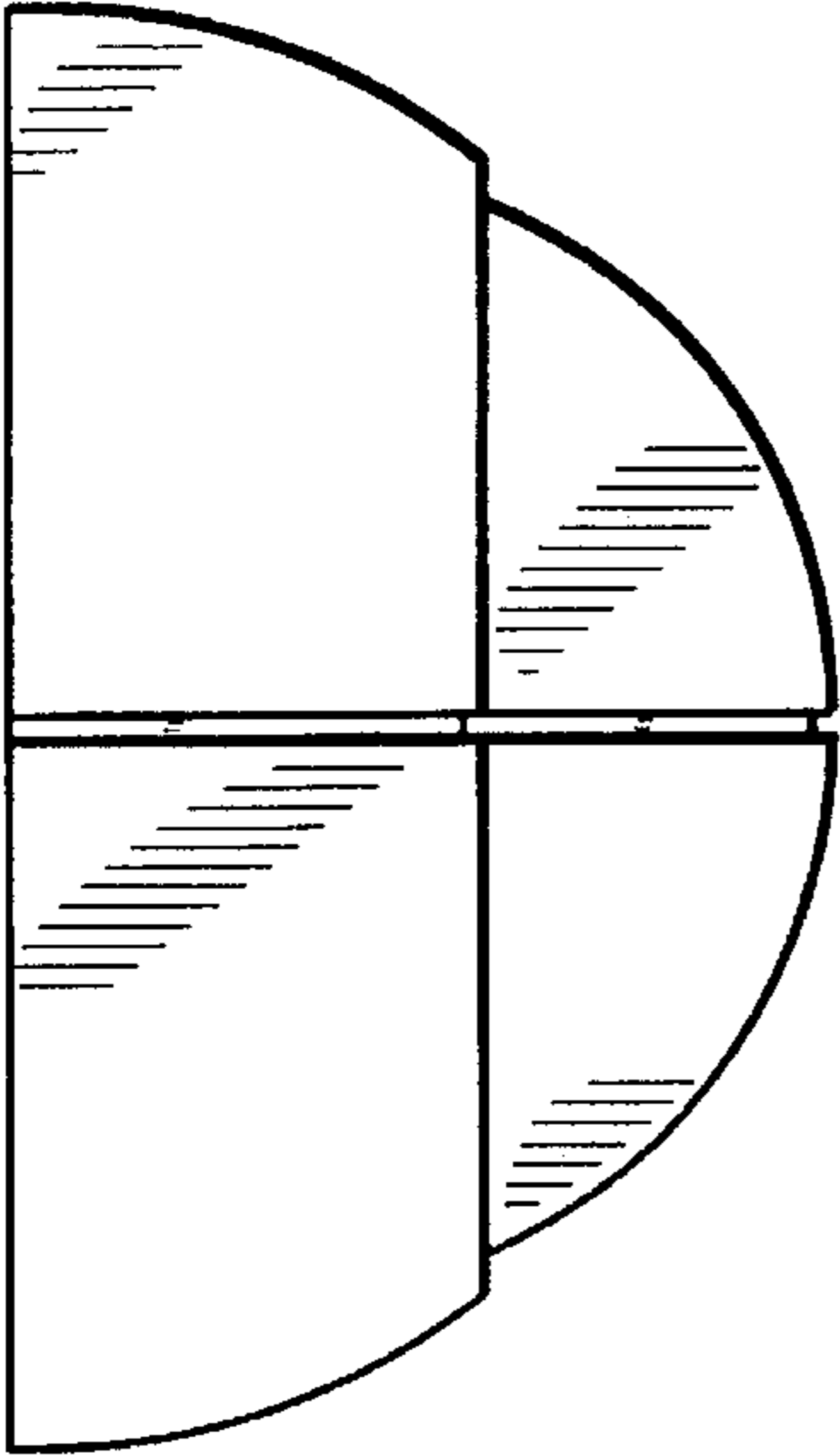
**FIG. 1**



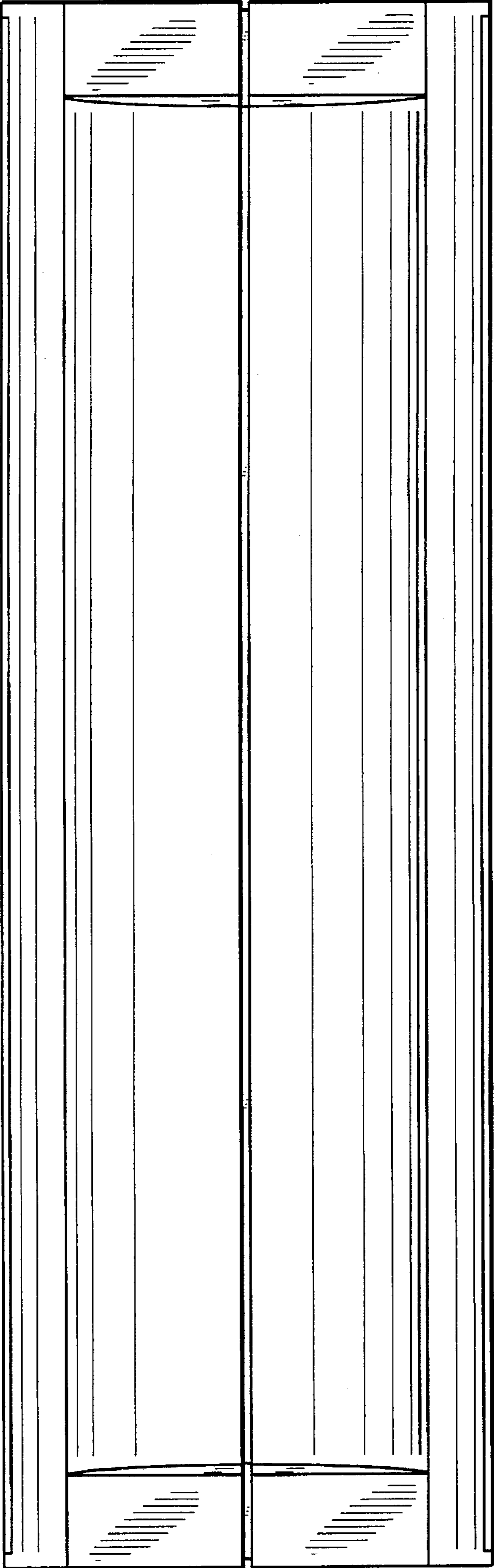
**FIG. 2**



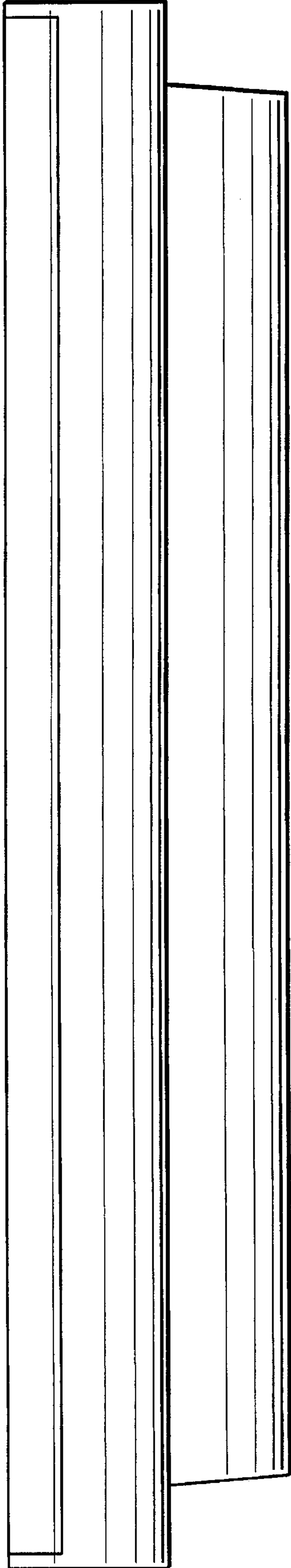
**FIG. 4**



**FIG. 3**



**FIG. 5**



**FIG. 6**