



US00D377991S

United States Patent [19]

Vakil

[11] Patent Number: **Des. 377,991**

[45] Date of Patent: ****Feb. 11, 1997**

[54] LIGHTING FIXTURE

[75] Inventor: **Usman Vakil**, Walnut, Calif.

[73] Assignee: **Lights of America, Inc.**, Walnut, Calif.

[**] Term: **14 Years**

[21] Appl. No.: **51,452**

[22] Filed: **Mar. 5, 1996**

Related U.S. Application Data

[62] Division of Ser. No. 12,068, Aug. 20, 1993.

[52] U.S. Cl. **D26/85; D26/79**

[58] Field of Search D26/72, 74, 76, D26/2, 77, 79, 80-92; D13/134, 135; 439/124, 168, 336, 339, 543, 602, 611, 613, 615, 616, 661, 662, 663, 664, 642, 641; 313/318.01, 318.03, 318.04; 362/226, 364, 365, 368, 404-405, 216, 222, 220, 223

[56] References Cited

U.S. PATENT DOCUMENTS

D. 253,014 9/1979 Shiibashi D26/26

D. 290,756	7/1987	Fujitaki	D26/74
1,259,493	3/1918	Dorey	D26/26 X
2,626,346	1/1953	Stoller	D26/79 X
4,459,648	7/1984	Ullman	362/147 X
5,075,831	12/1991	Stringer et al.	362/147 X

OTHER PUBLICATIONS

Brownlee Lighting Catalog, 1987, p. 7, Lincoln 217-Fluorescent Lighting Fixture.

Primary Examiner—Susan J. Lucas
Attorney, Agent, or Firm—Graham & James LLP

[57] CLAIM

The ornamental design for a lighting fixture, as shown and described.

DESCRIPTION

FIG. 1 is a side perspective view of a lighting fixture showing my new design;
FIG. 2 is a side view thereof;
FIG. 3 is a top plan view thereof; and,
FIG. 4 is a bottom plan view thereof.
The adapter is shown in broken lines in FIG. 1 for illustrative purposes only and forms no part of the claimed design.

1 Claim, 1 Drawing Sheet

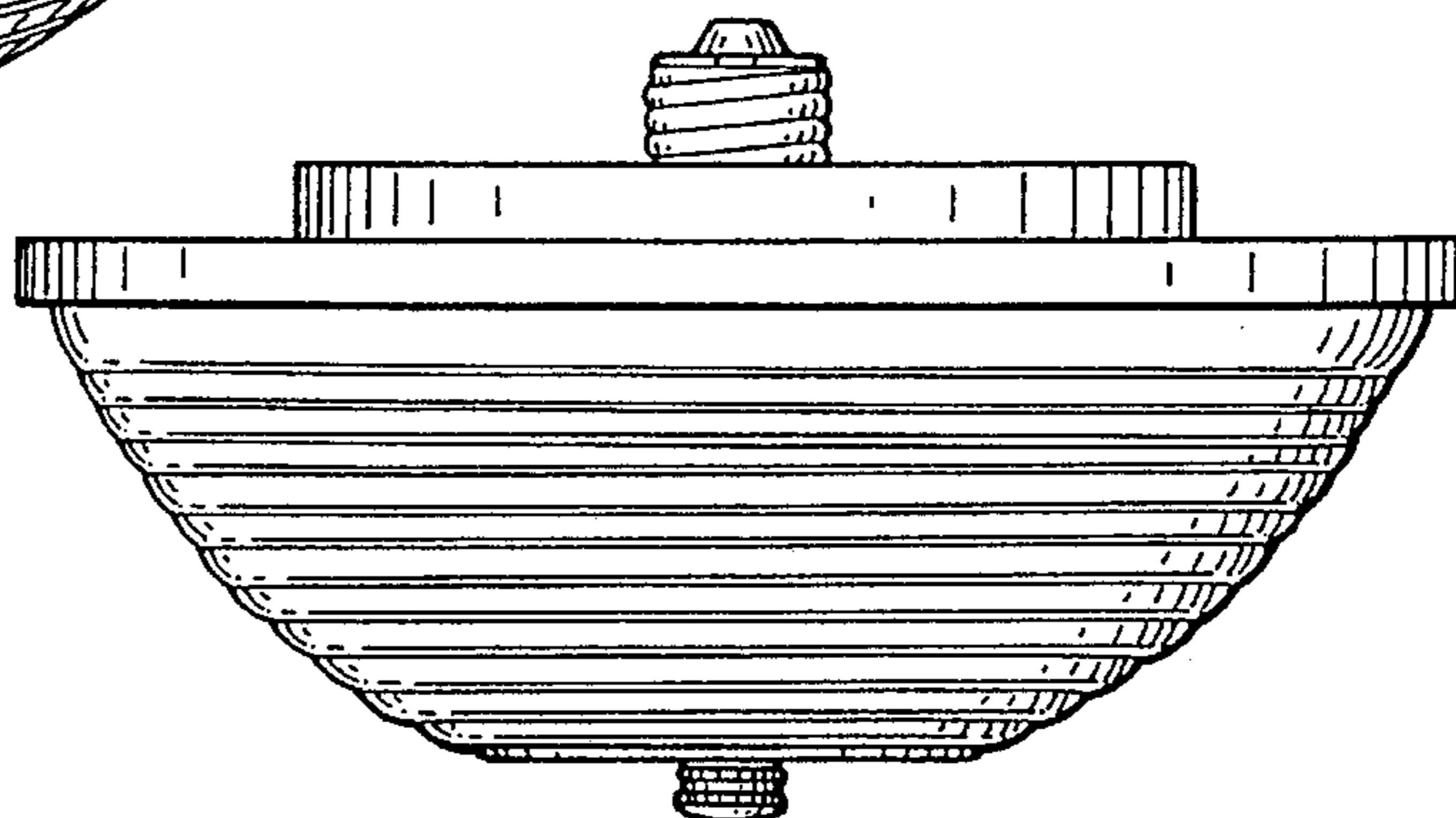
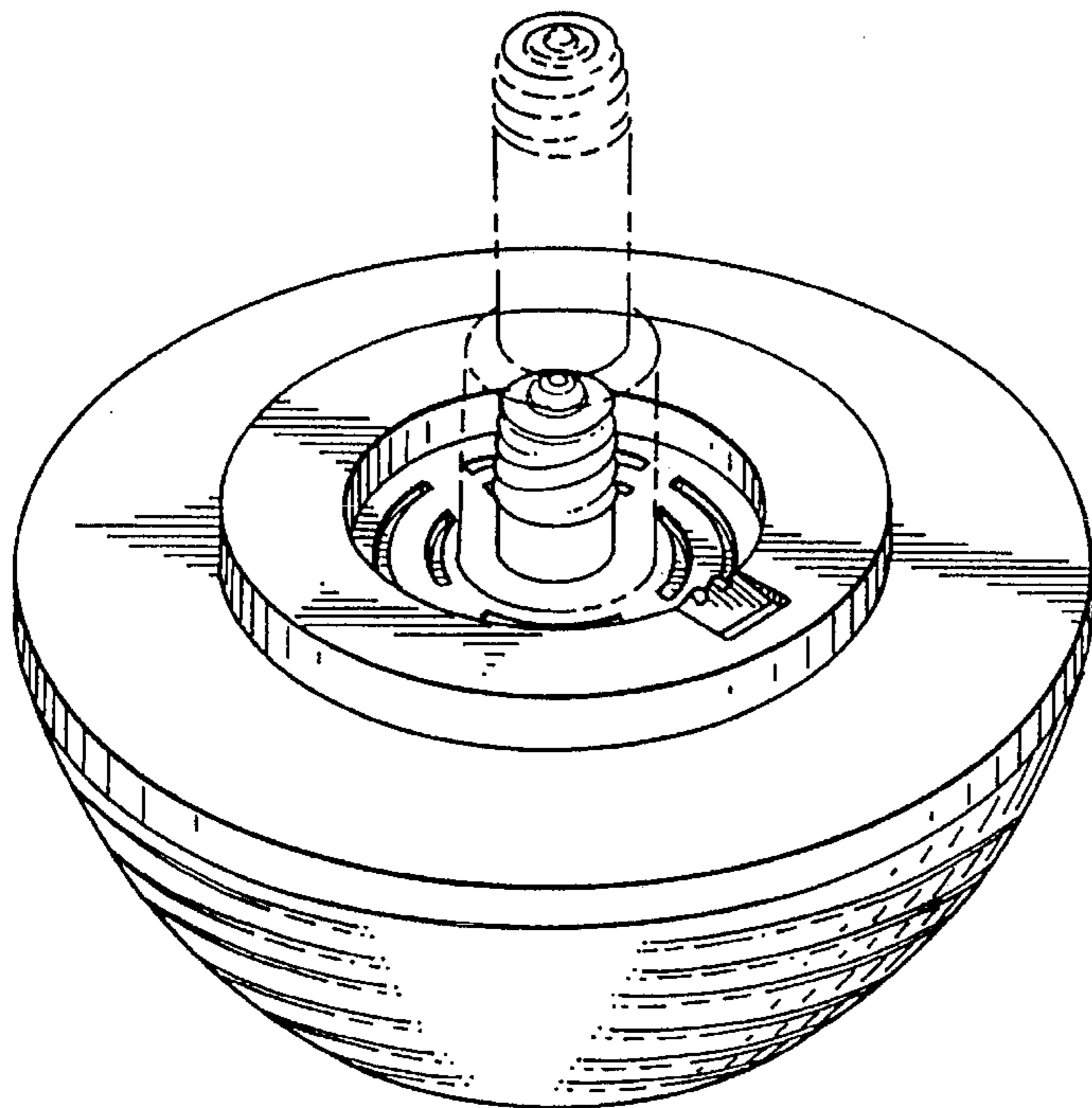


FIG. 1

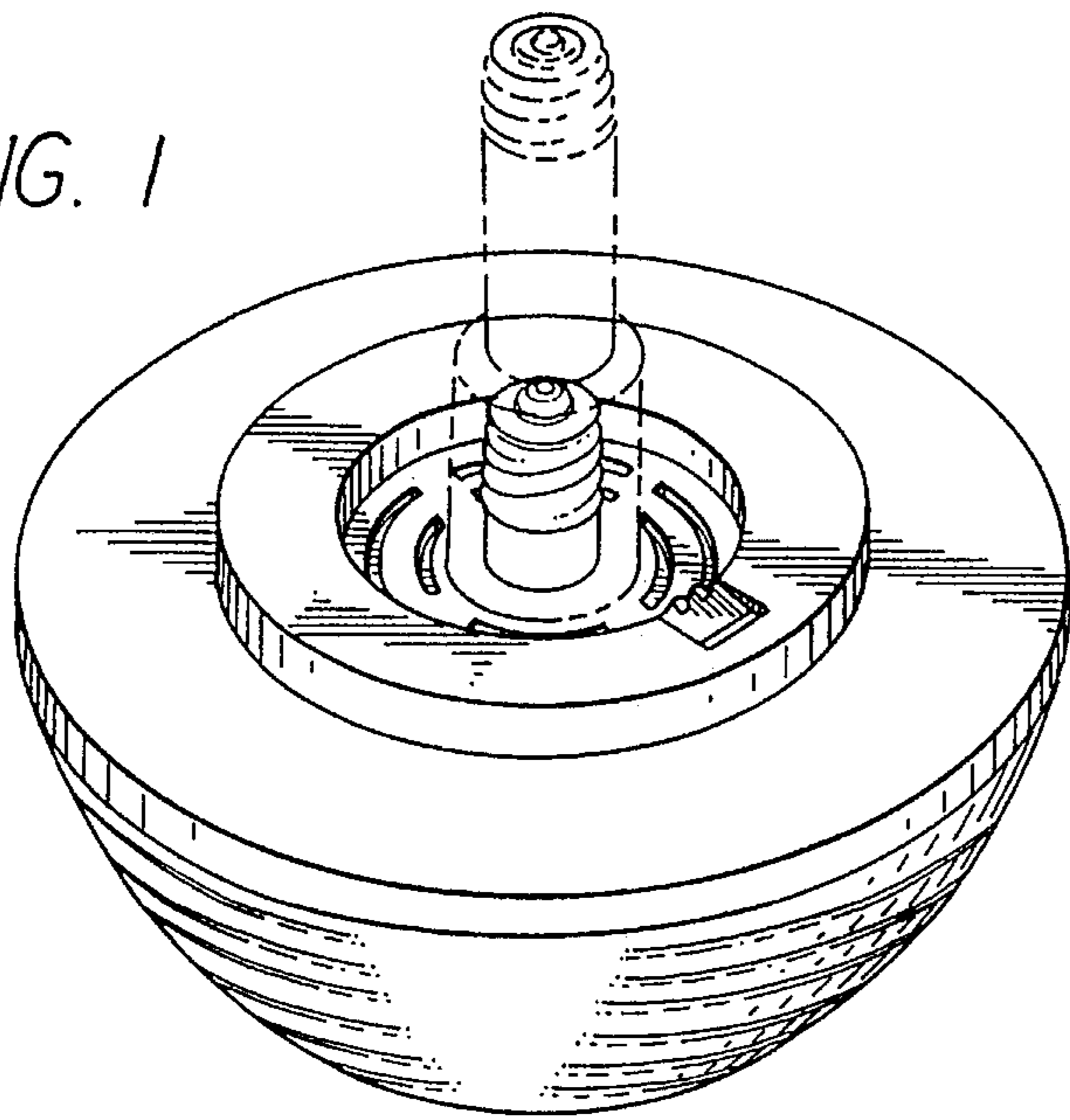


FIG. 2

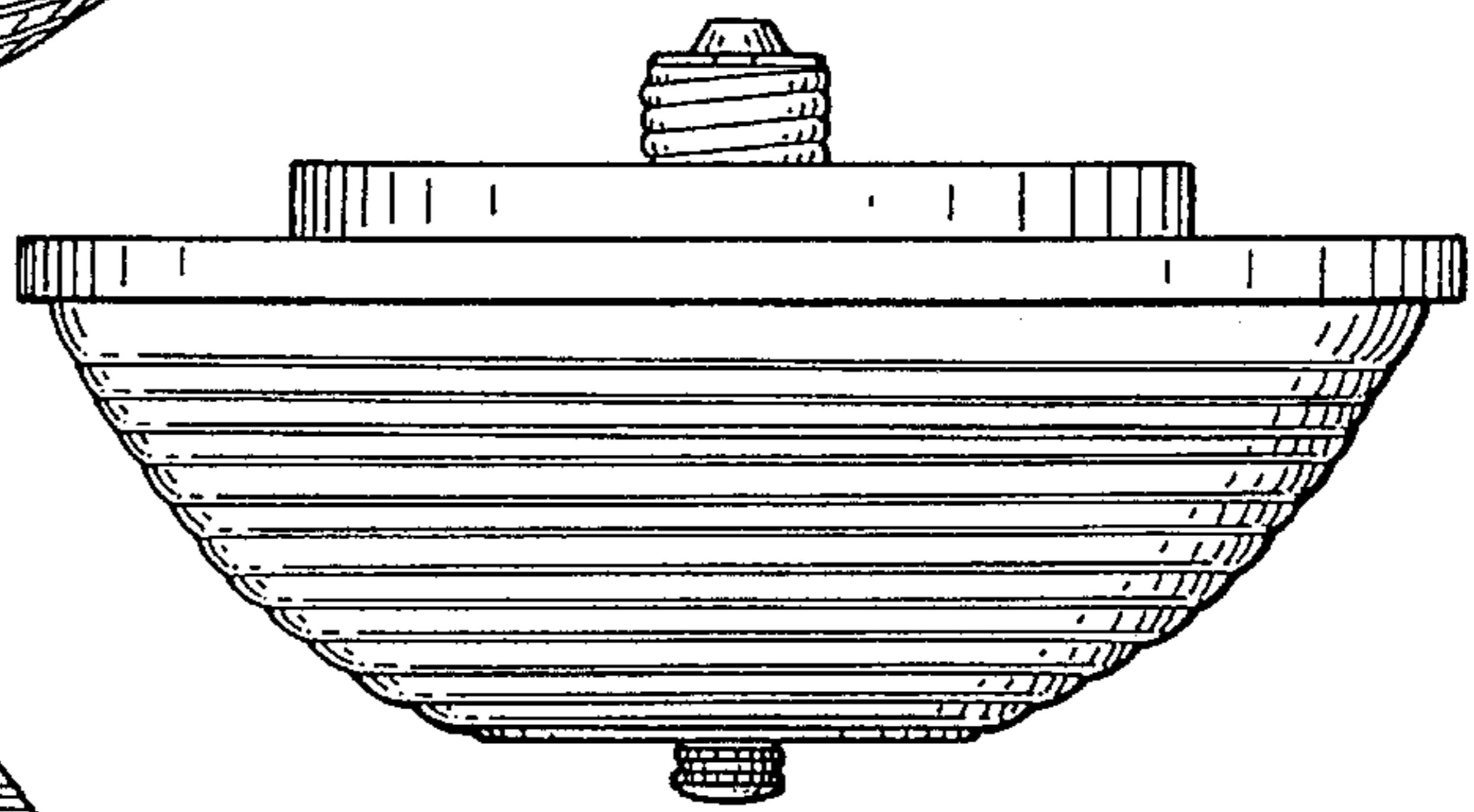


FIG. 3

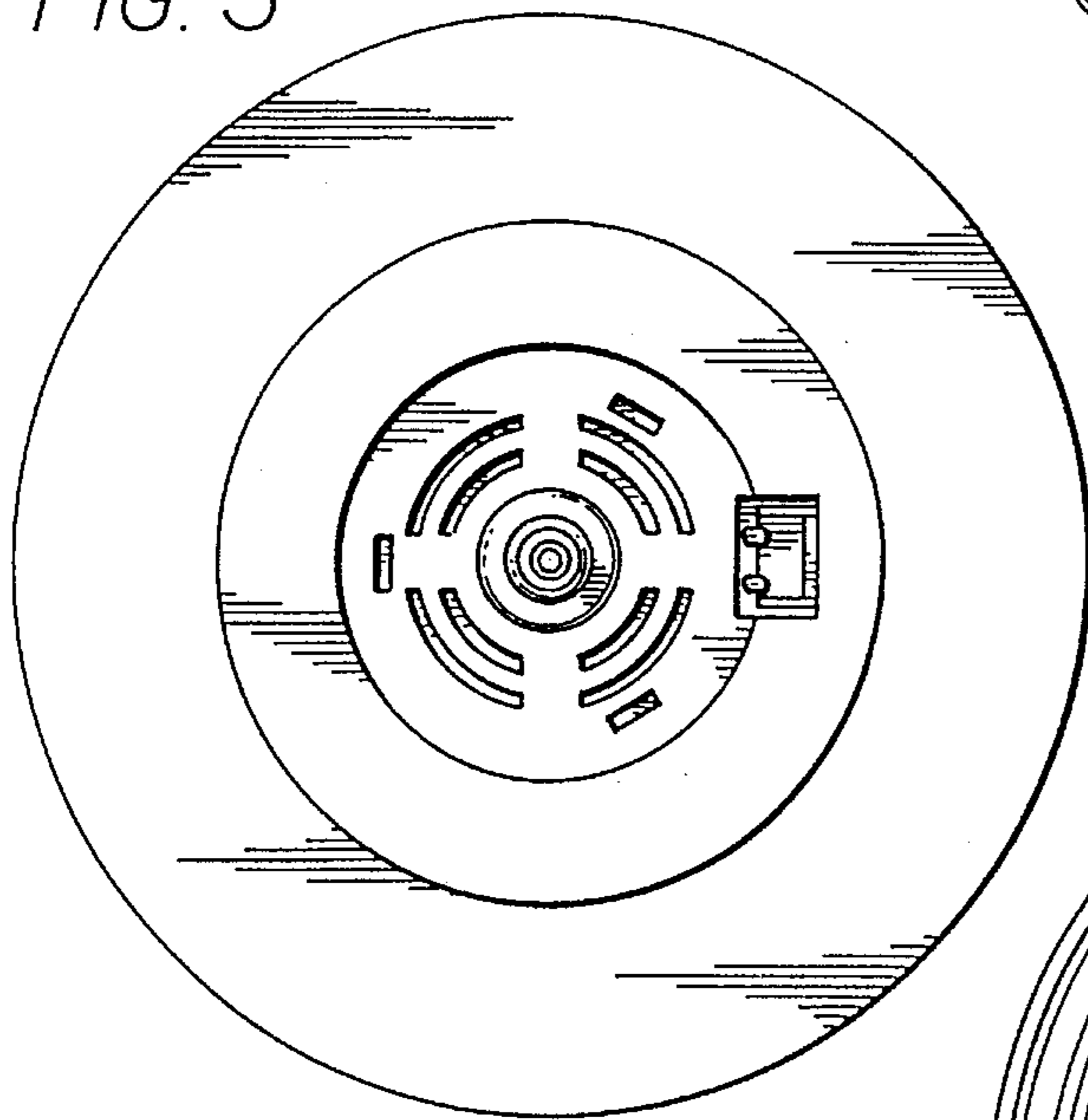


FIG. 4

