



US00D377989S

United States Patent [19]

Marvin et al.

[11] Patent Number: **Des. 377,989**

[45] Date of Patent: ****Feb. 11, 1997**

[54] FLEXIBLE FLASHLIGHT

[75] Inventors: **Robert Marvin**, Farmington; **David Kaiser**, North Haven, both of Conn.

[73] Assignee: **Black & Decker Inc.**, Newark, Del.

[**] Term: **14 Years**

[21] Appl. No.: **35,082**

[22] Filed: **Feb. 21, 1995**

[52] U.S. Cl. **D26/43**

[58] Field of Search D26/37, 43, 44,
D26/46, 49, 60, 62; 362/157, 158, 184,
188, 189, 191, 198, 199, 200, 202, 362,
396

[56] References Cited

U.S. PATENT DOCUMENTS

D. 147,258	8/1947	Becker	D26/43
D. 166,073	3/1952	Dunkelberger	D26/43
D. 314,246	1/1991	Bache	D26/62
D. 328,146	7/1992	Sinsteden	D26/49
3,111,277	11/1963	Grimsley	D26/43

FOREIGN PATENT DOCUMENTS

604541	7/1983	Japan	D26/43
671733	2/1986	Japan	D26/43
671734	2/1986	Japan	D26/43

Primary Examiner—A. Hugo Word
Assistant Examiner—Lavone D. Tabor
Attorney, Agent, or Firm—Barry E. Deutsch

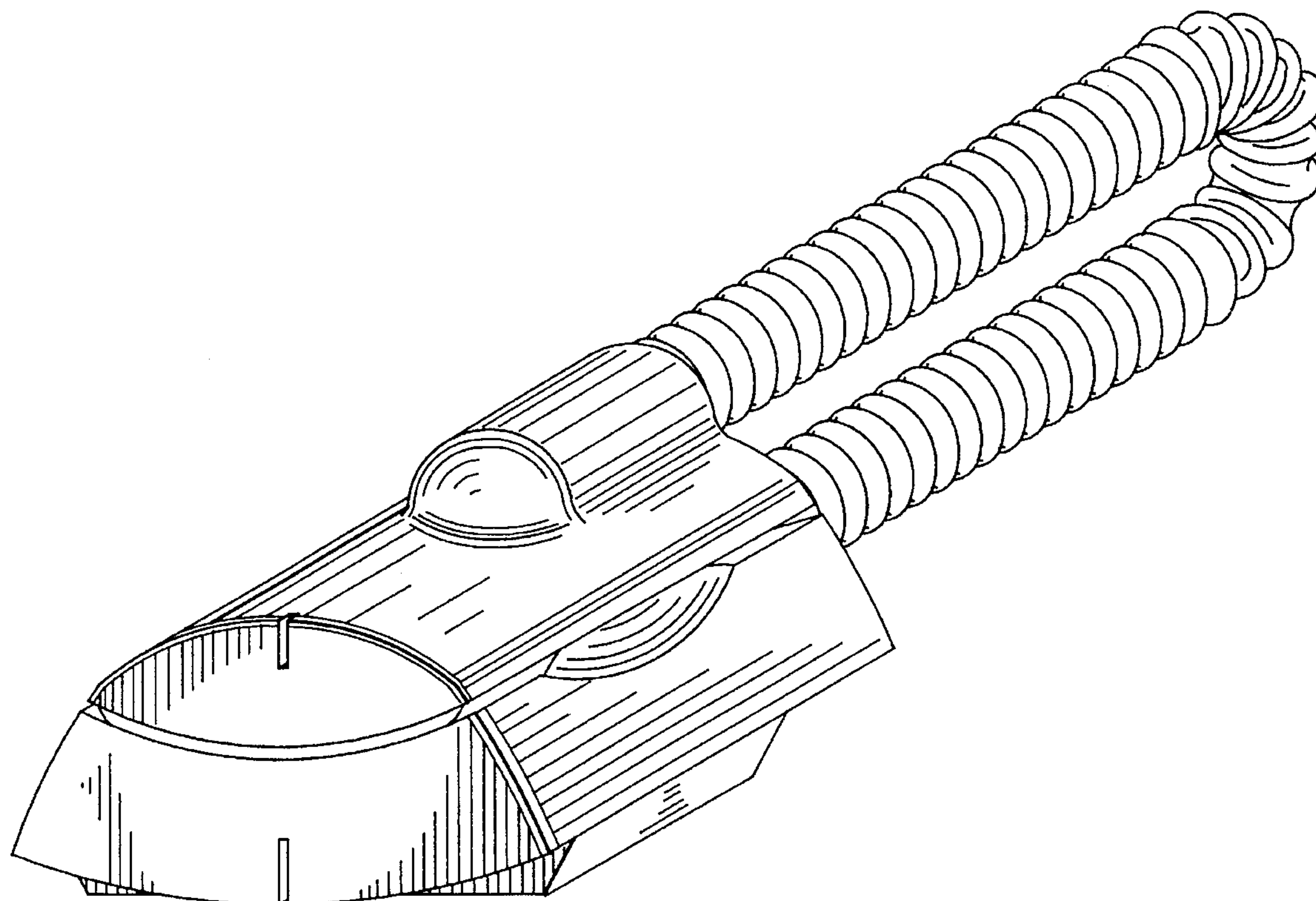
[57] CLAIM

The ornamental design for a flexible flashlight, as shown and described.

DESCRIPTION

FIG. 1 is a perspective view taken from the front, right side and top of a flexible flashlight showing our new design; FIG. 2 is a right side elevational view thereof; FIG. 3 is a left side elevational view thereof; FIG. 4 is a front elevational view thereof; FIG. 5 is a rear elevational view thereof; FIG. 6 is a top plan view thereof; FIG. 7 is a bottom plan view thereof; and, FIG. 8 is a bottom perspective view thereof.

1 Claim, 4 Drawing Sheets



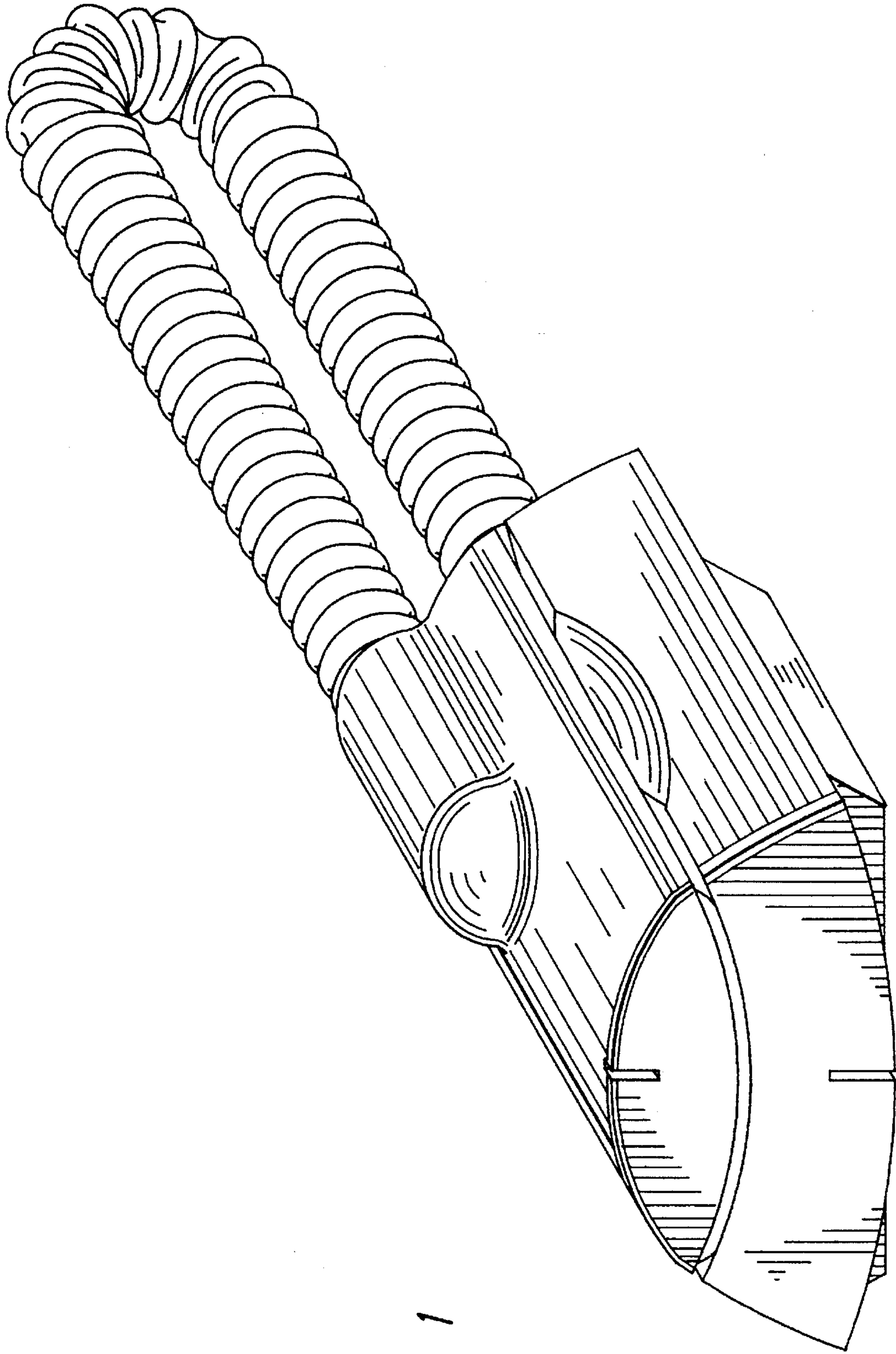


FIG. 1

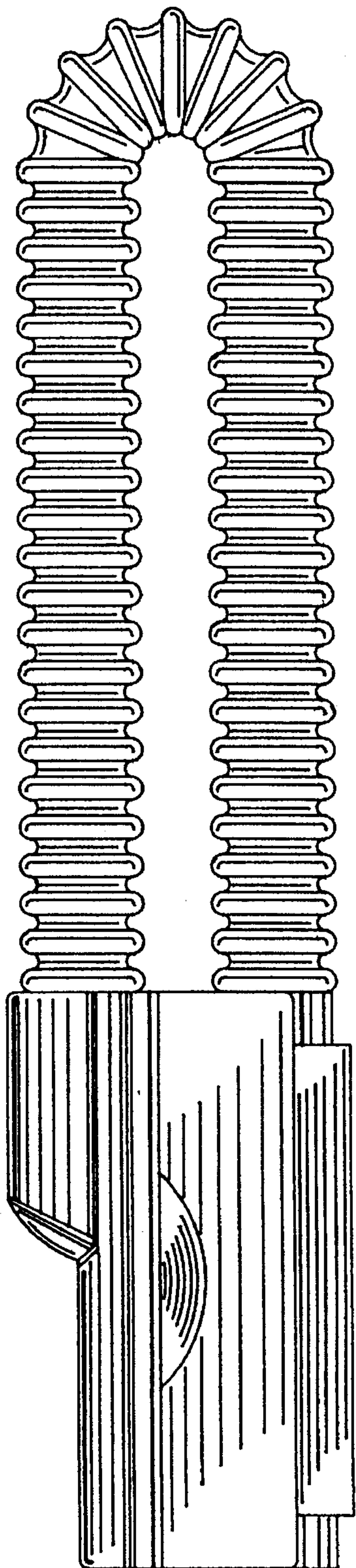


FIG. 2

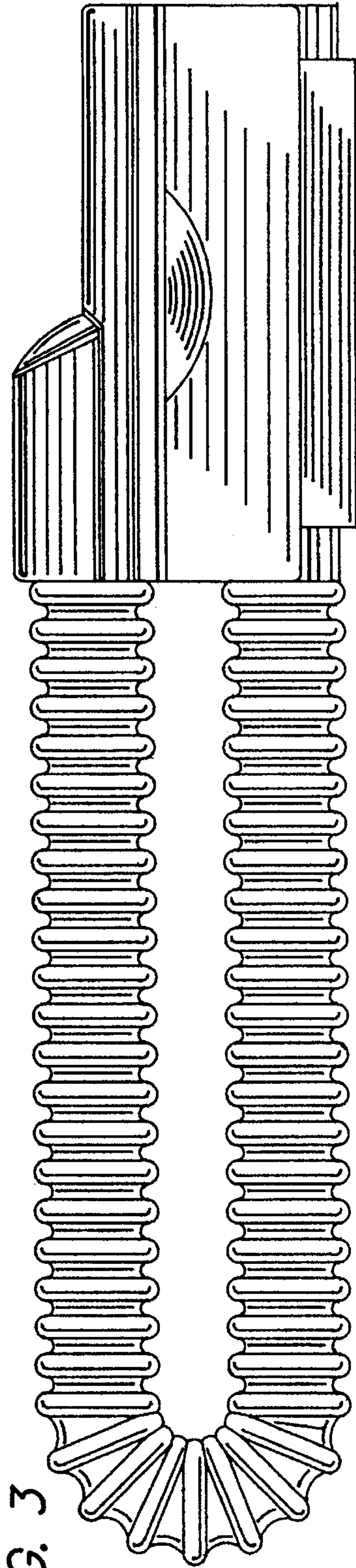


FIG. 3

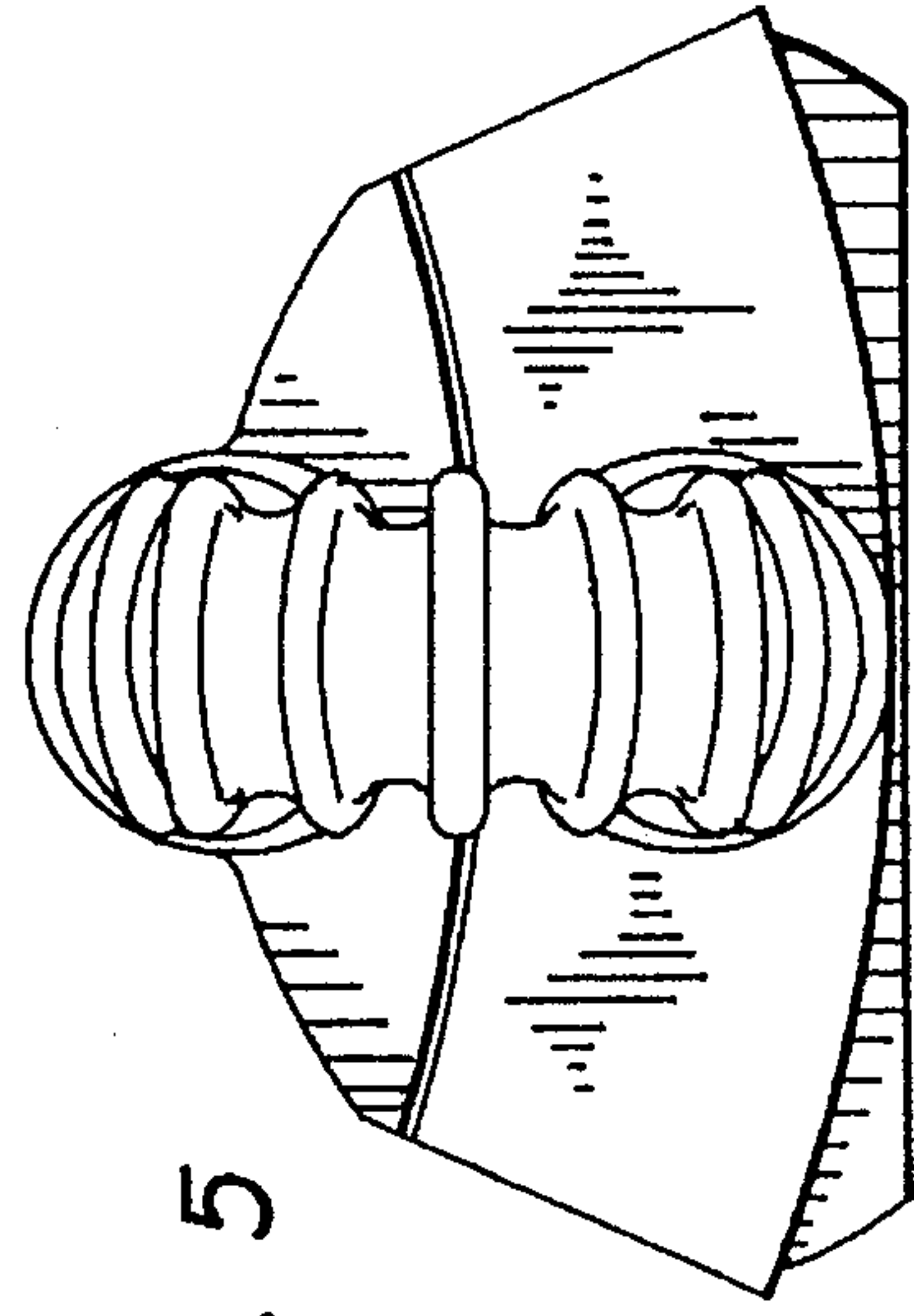


FIG. 5

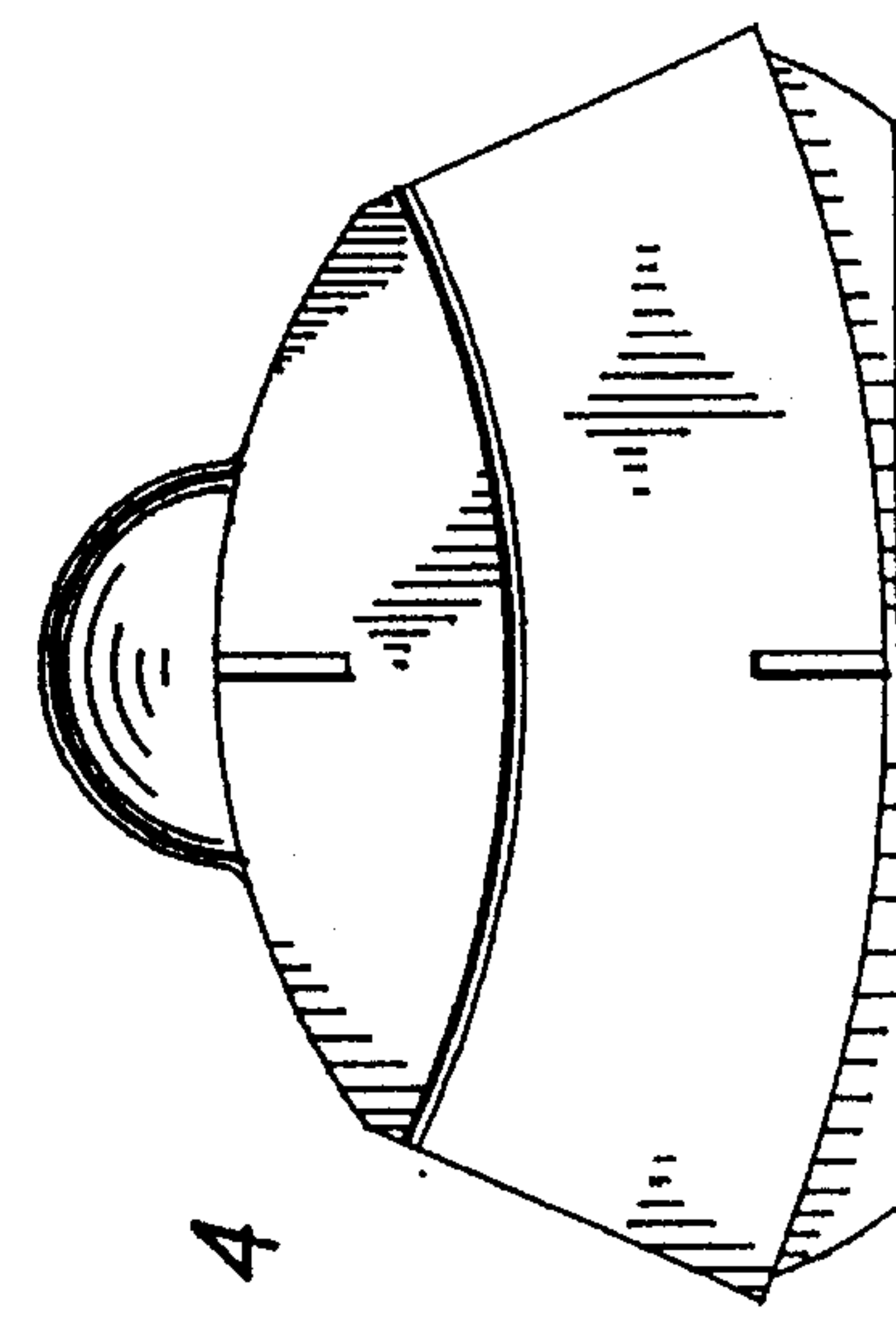


FIG. 4

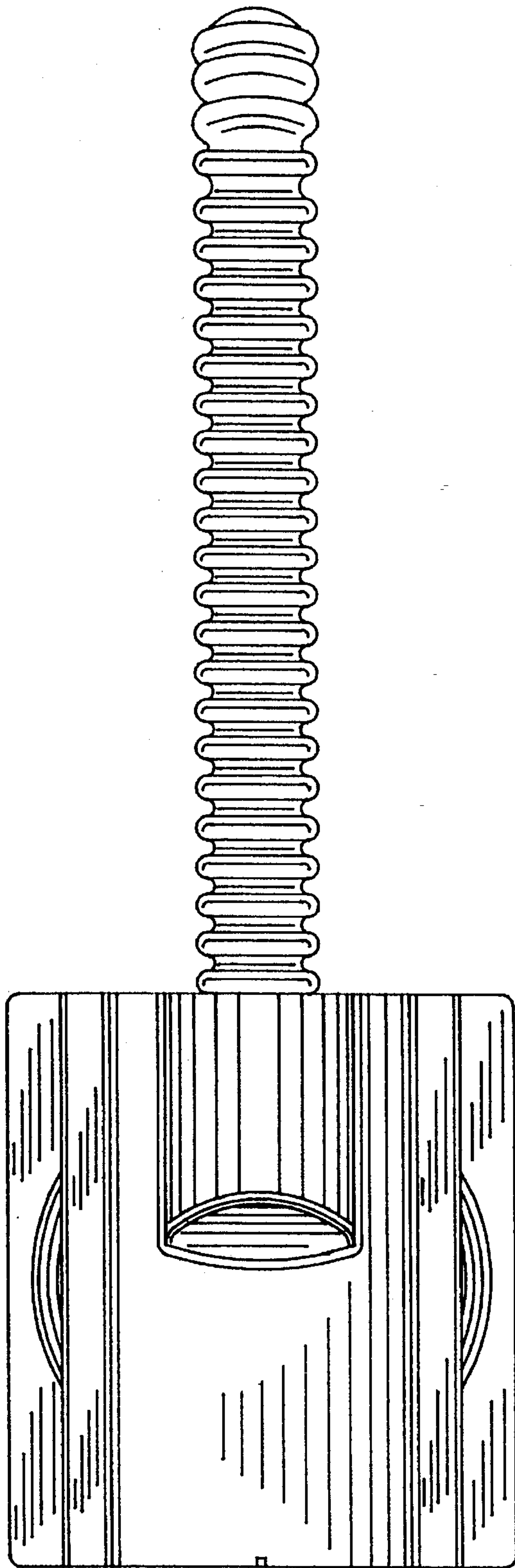


FIG. 6

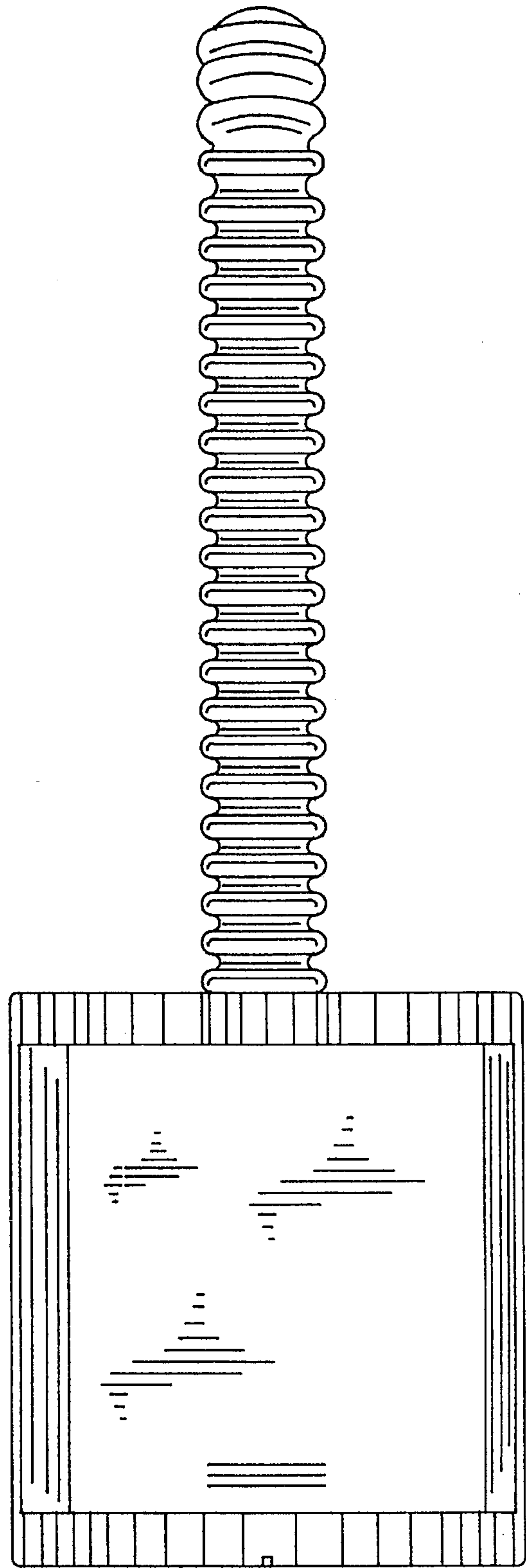


FIG. 7

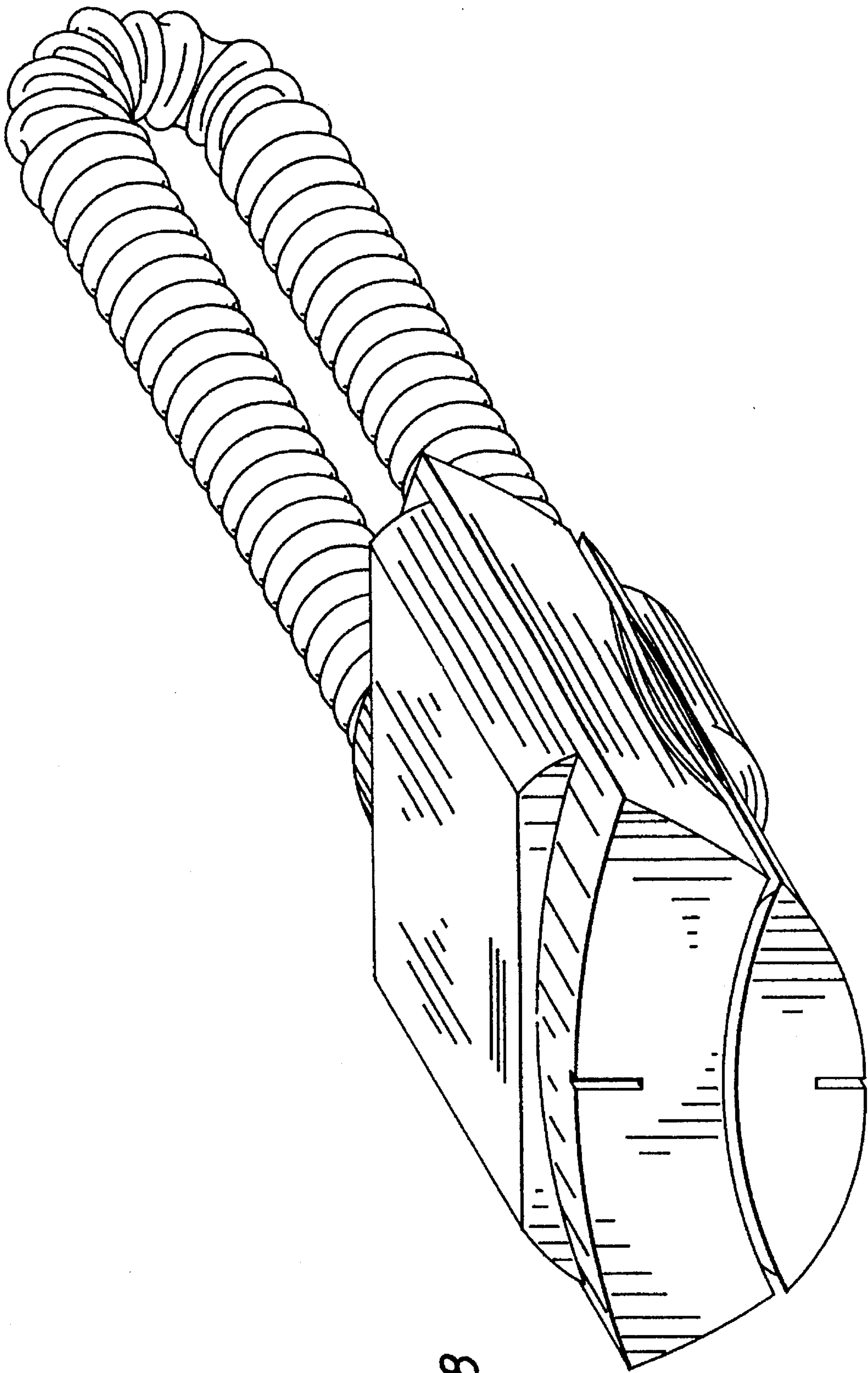


FIG. 8