



US00D377983S

United States Patent [19]

[11] **Patent Number: Des. 377,983**

Sabri et al.

[45] **Date of Patent: **Feb. 11, 1997**

[54] **CARDIAC MONITOR**

4,513,753	4/1985	Tabata et al.	128/710 X
4,596,256	6/1986	Ascher et al.	128/710
5,365,935	11/1994	Righter et al.	128/696 X

[76] Inventors: **Mohamed Sabri**, 14916 SW. Opal Dr., Beaverton, Oreg. 97006; **Colin M. Portnuff**, 19552 SW. 57th St., Tualatin, Oreg. 97062; **John R. Rae**, 17 Partridge La., Lake Oswego, Oreg. 97035; **Habib Homayoun**, 21053 SW. Charlene, Aloha, Oreg. 97006; **Shirley L. Semler**; **Herbert J. Semler**, both of 6215 SW. Hamilton St., Portland, Oreg. 97221

Primary Examiner—Stella Reid
Attorney, Agent, or Firm—Kolisch Hartwell Dickinson McCormack & Heuser

[57] **CLAIM**

The ornamental design for cardiac monitor, as shown and described.

[**] Term: **14 Years**

DESCRIPTION

[21] Appl. No.: **43,816**

FIG. 1 is an isometric view;
 FIG. 2 is a top plan view;
 FIG. 3 is a front elevational view, the back elevational view being identical;
 FIG. 4 is a bottom plan view;
 FIG. 5 is a right elevational view; and,
 FIG. 6 is a left elevational view.

[22] Filed: **Sep. 13, 1995**

[52] U.S. Cl. **D24/167**

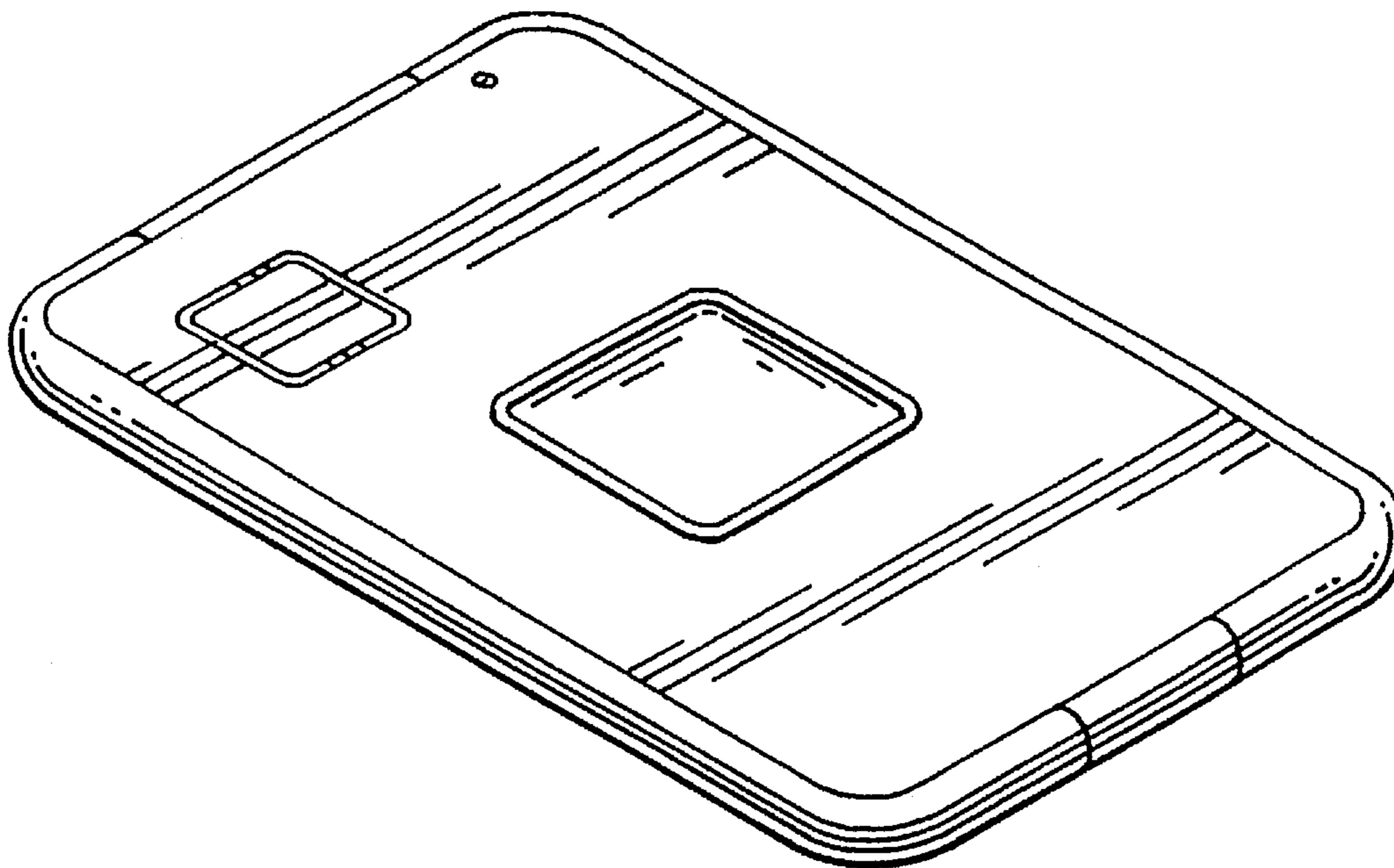
[58] Field of Search D24/186, 167;
128/696, 690, 702, 708, 710

[56] **References Cited**

U.S. PATENT DOCUMENTS

D. 362,070 9/1995 Willis D24/186

1 Claim, 1 Drawing Sheet



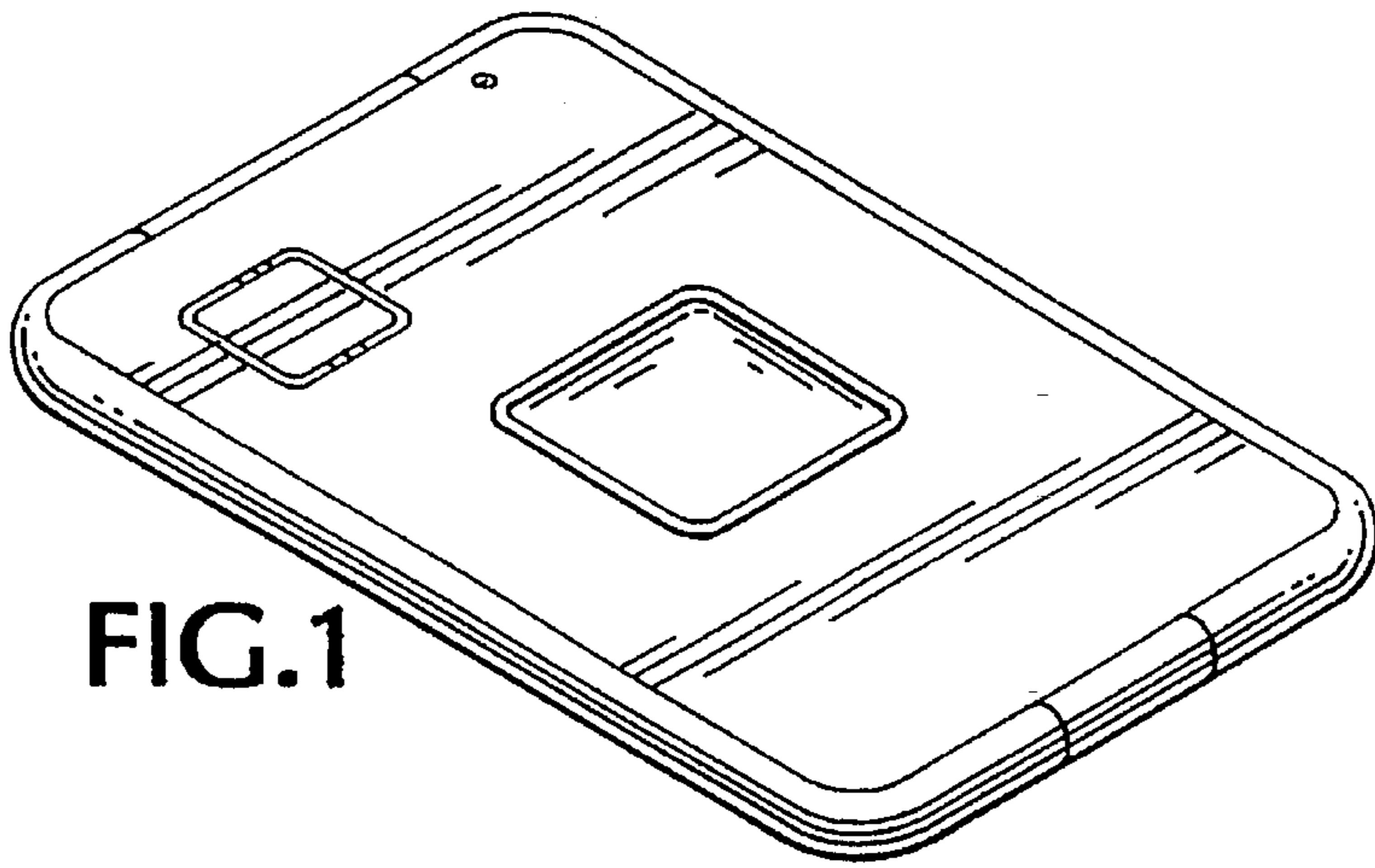


FIG. 1

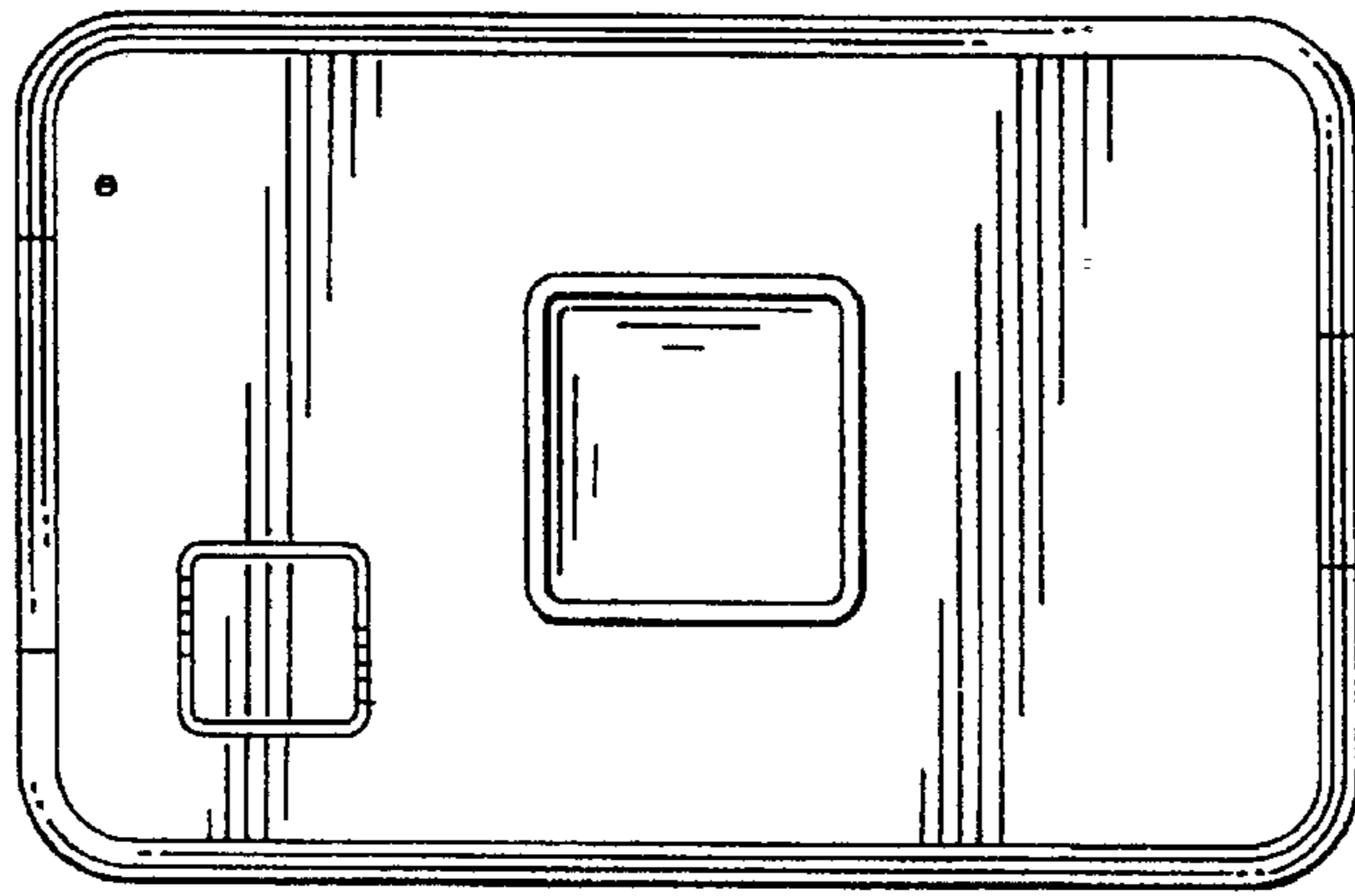


FIG. 2

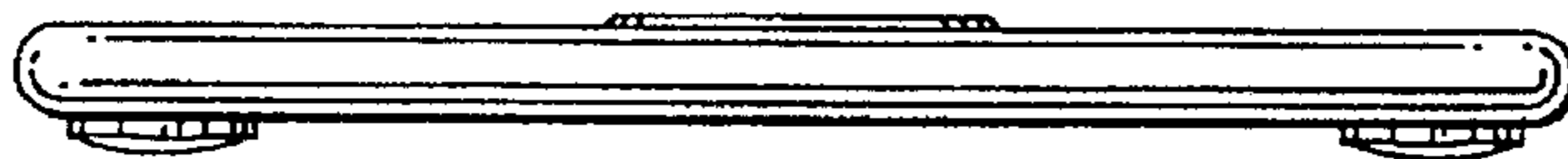


FIG. 3

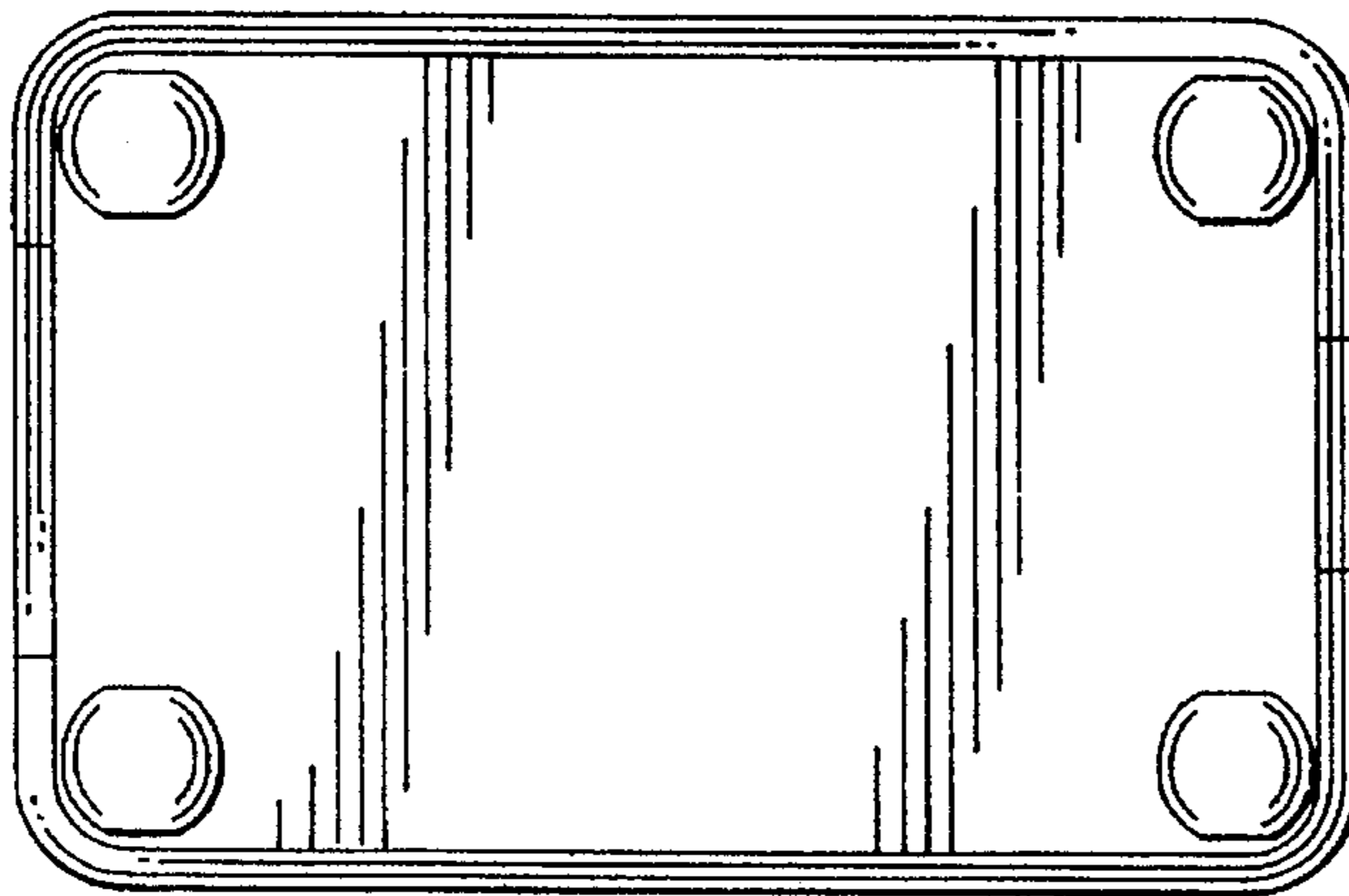


FIG. 4

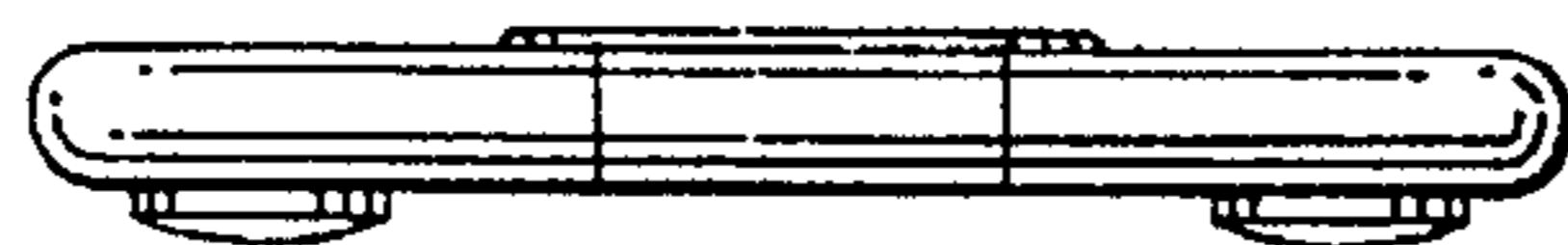


FIG. 5

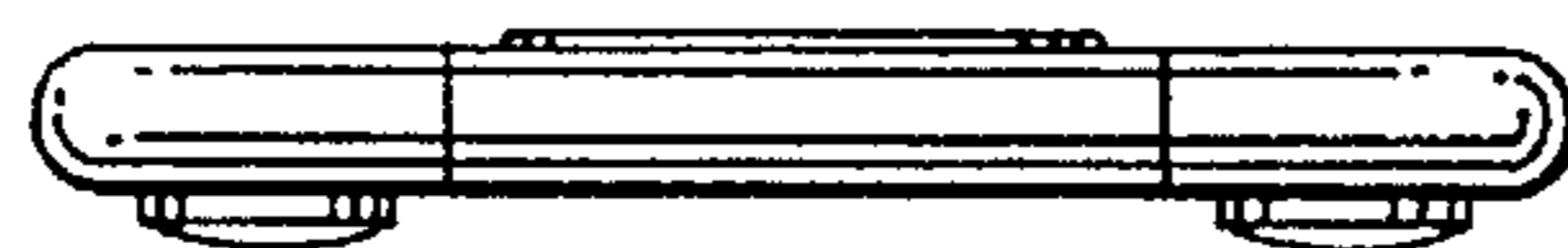


FIG. 6