



US00D377978S

United States Patent [19]

Haber et al.

[11] **Patent Number: Des. 377,978**

[45] **Date of Patent: **Feb. 11, 1997**

[54] **TOPICAL ASTRINGENT DISINFECTANT APPLICATOR WITH COVER**

D. 352,998 11/1994 Hanif D24/119 X
3,192,925 7/1965 Cunningham 604/204 X

[75] Inventors: **Terry M. Haber**, El Toro; **William H. Smedley**, Lake Elsinore; **Clark B. Foster**, Laguna Niguel, all of Calif.

Primary Examiner—James M. Gandy
Assistant Examiner—Linda Brooks
Attorney, Agent, or Firm—Hawes, Fischer & Dickinson

[73] Assignee: **Habley Medical Technology Corporation**, Lake Forrest, Calif.

[57] **CLAIM**

[**] Term: **14 Years**

The ornamental design for a topical astringent disinfectant applicator with cover, as shown and described.

[21] Appl. No.: **31,981**

DESCRIPTION

[22] Filed: **Dec. 12, 1994**

FIG. 1 is a perspective view showing the top, one side and the front of the applicator with cover which forms our invention;

[52] U.S. Cl. **D24/119; D9/302**

FIG. 2 is a rear elevational view thereof;

[58] **Field of Search** D24/119, 115,
D24/118; 606/160; 604/87, 189, 192, 204,
214; D9/302

FIG. 3 is a front elevational view thereof;

FIG. 4 is a top plan view thereof;

FIG. 5 is a side elevational view thereof, this side and the opposite side being of identical design; and,

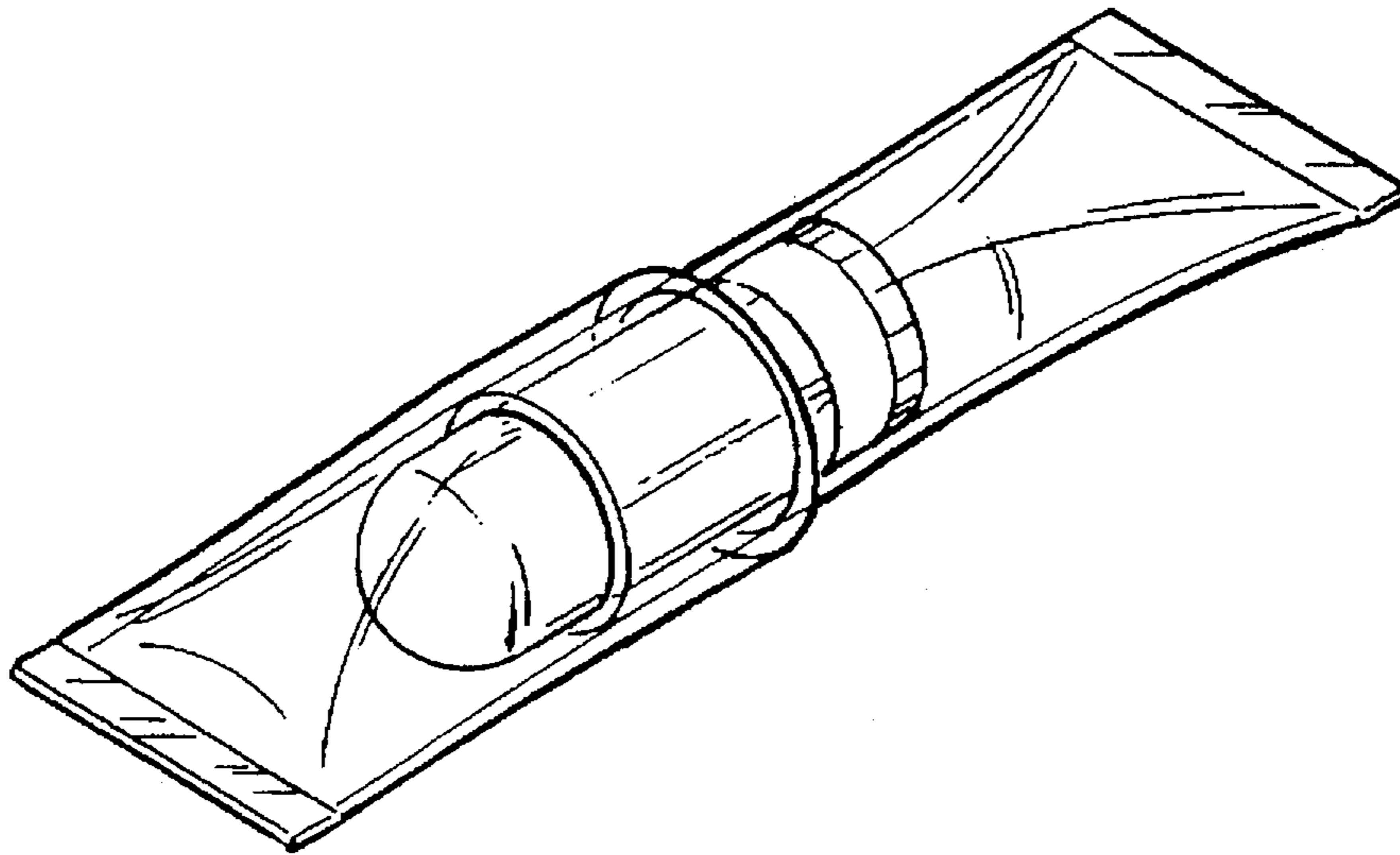
FIG. 6 is a bottom plan view thereof.

[56] **References Cited**

U.S. PATENT DOCUMENTS

D. 351,229 10/1994 Wirt D24/119

1 Claim, 1 Drawing Sheet



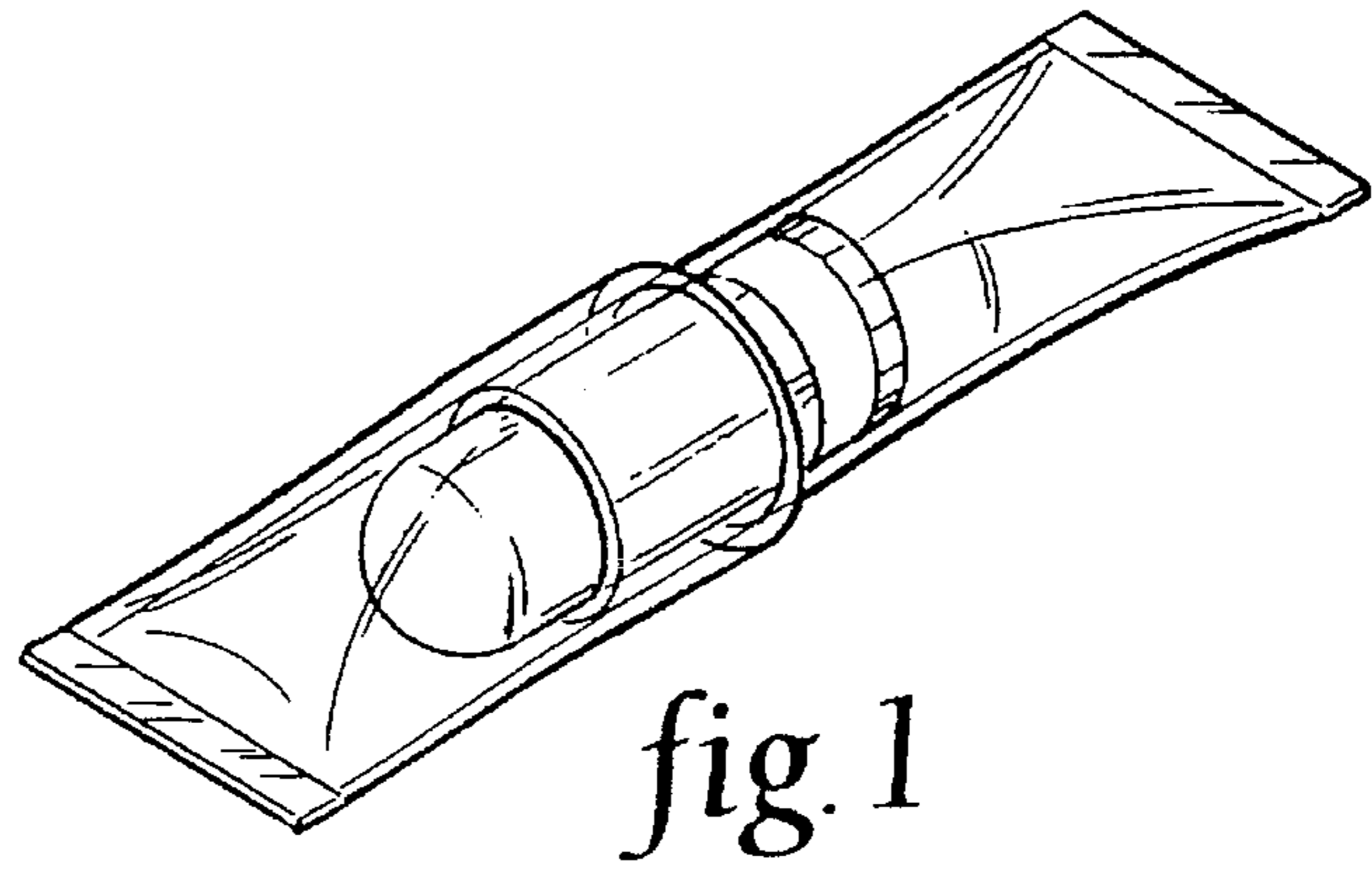


fig. 1

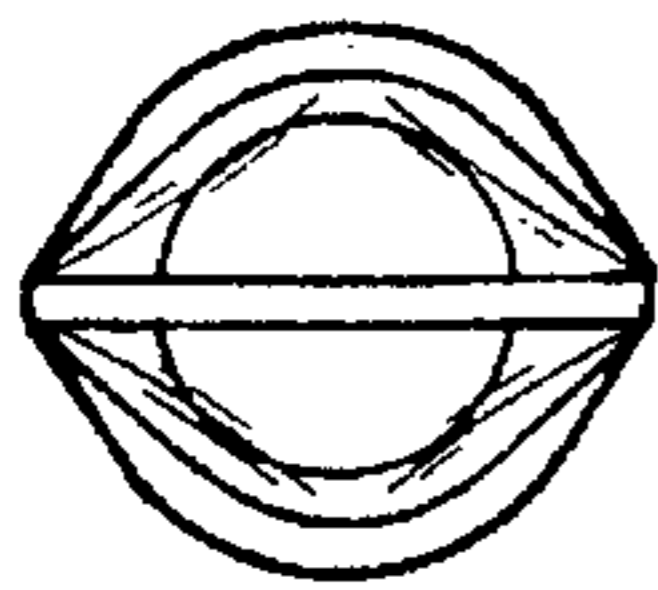


fig. 2

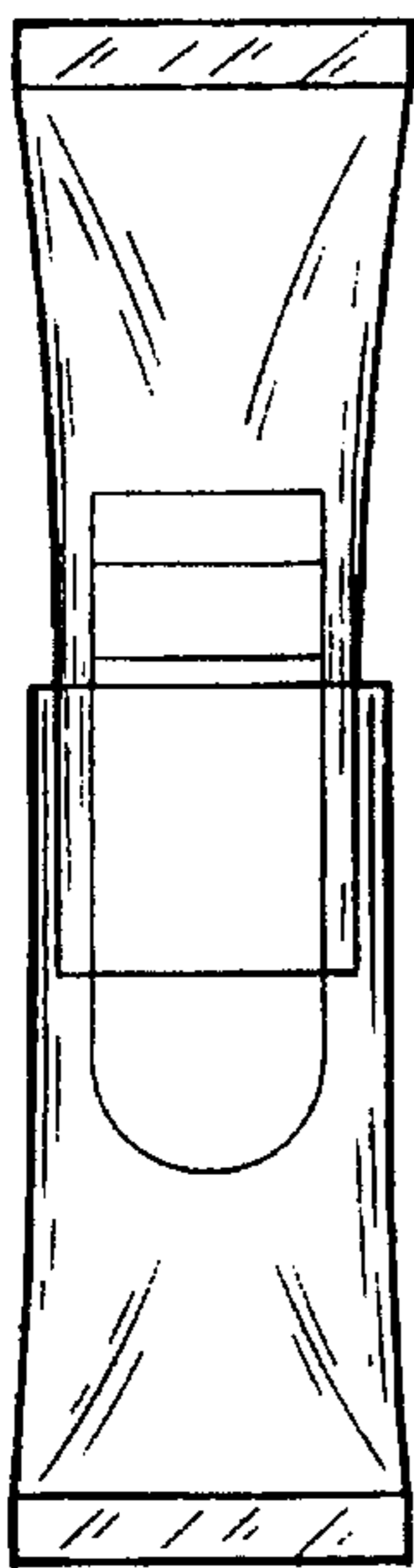


fig. 4

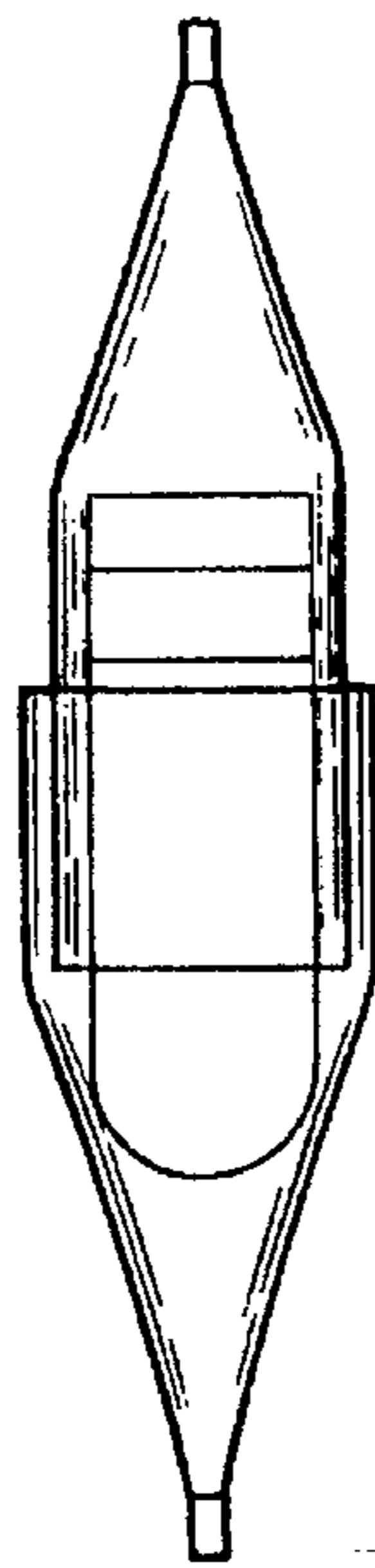


fig. 5

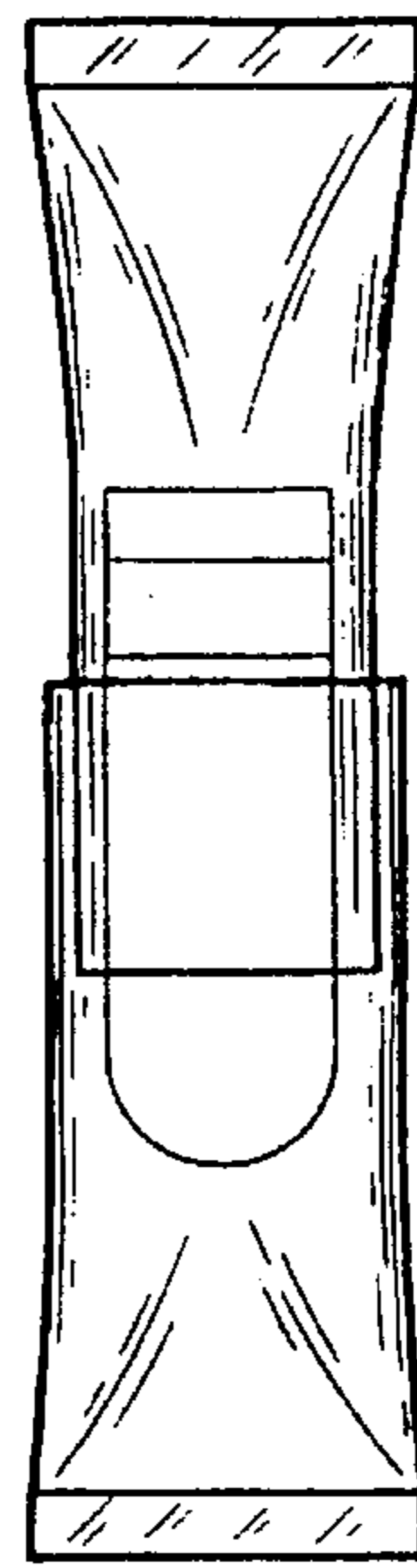


fig. 6

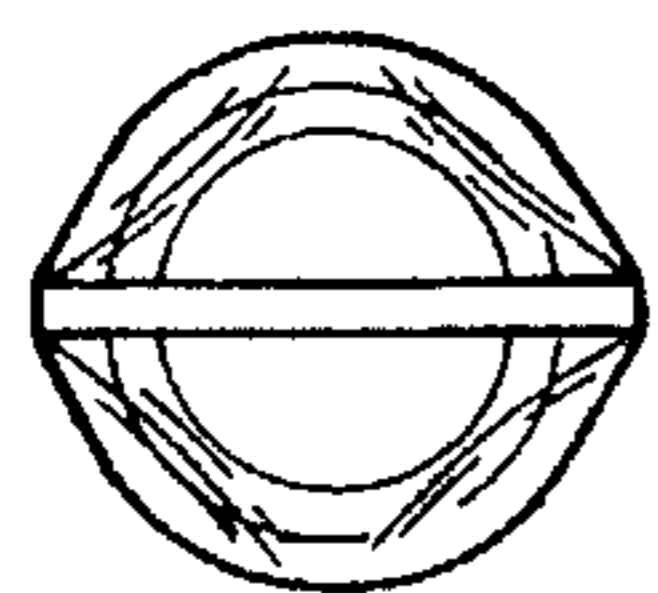


fig. 3