



US00D377975S

# United States Patent [19]

[11] Patent Number: **Des. 377,975**

**Young**

[45] Date of Patent: **\*\*Feb. 11, 1997**

## [54] COMBINED CEILING FAN AND LIGHT

## OTHER PUBLICATIONS

[75] Inventor: **Stanfield K. Young**, Cypress, Calif.

Moss Manufacturing Inc. Brochure, back cover, Ceiling Fan A, top right side of page.

[73] Assignee: **Hunter Fan Company**, Memphis, Tenn.

*Primary Examiner*—Lisa P. Lichtenstein  
*Attorney, Agent, or Firm*—Baker, Donelson, Bearman & Caldwell

[\*\*] Term: **14 Years**

[21] Appl. No.: **15,968**

## [57] CLAIM

[22] Filed: **Dec. 3, 1993**

The ornamental design for a combined ceiling fan and light, as shown and described.

[52] U.S. Cl. .... **D23/377; D23/379; D23/385**

## DESCRIPTION

[58] Field of Search ..... D23/377, 379, D23/385; 362/96, 264; 392/364; 416/5; D26/81-86, 88, 59, 72, 51

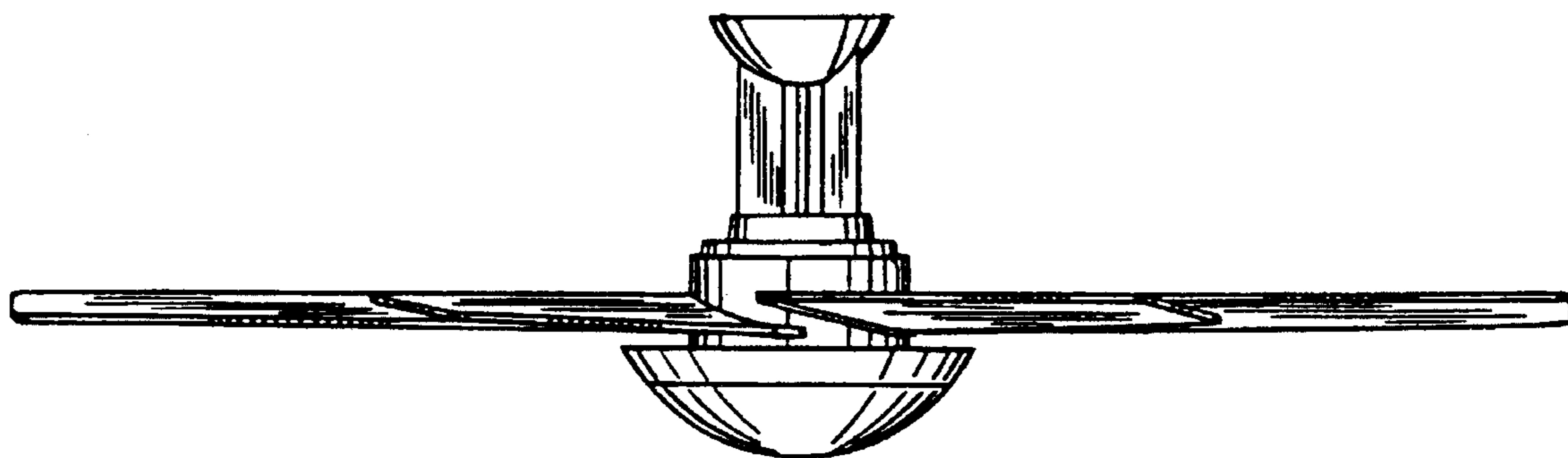
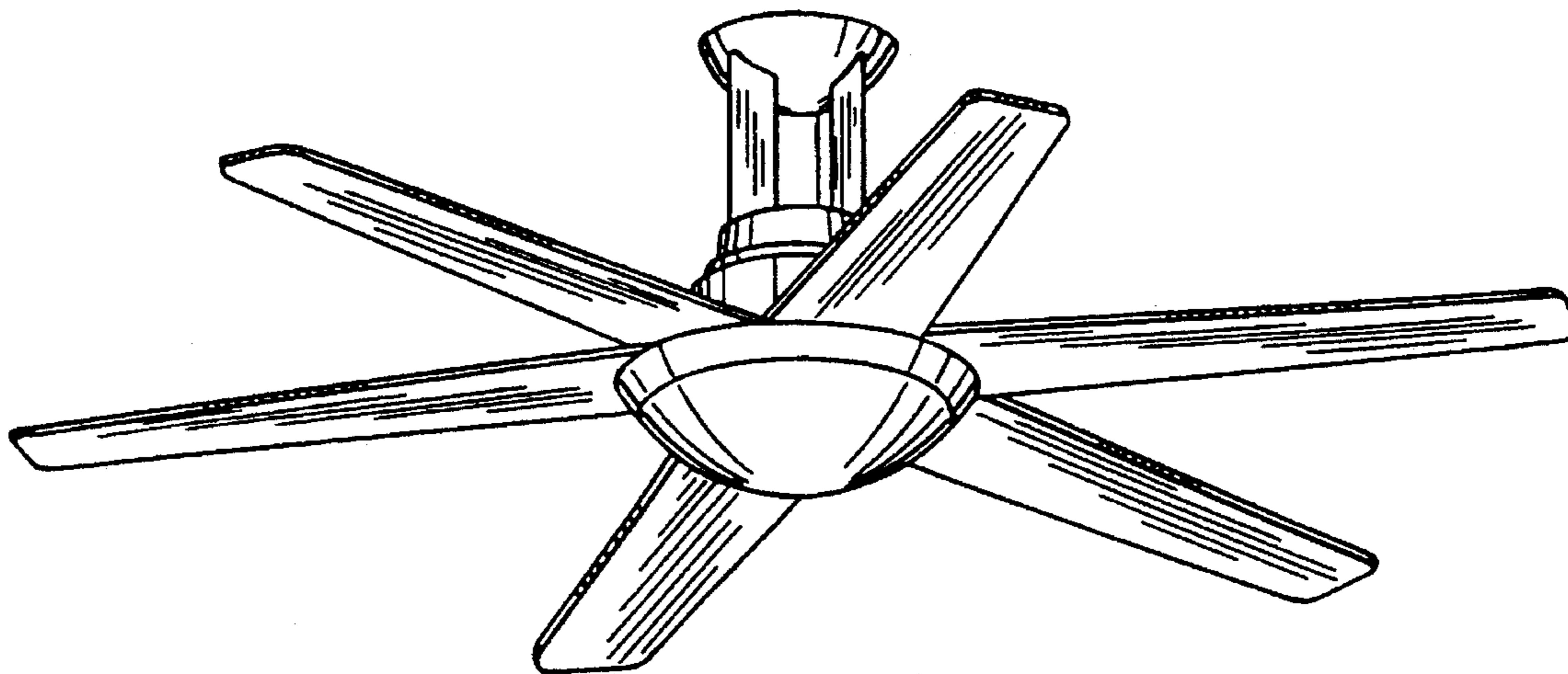
FIG. 1 is a perspective view of a combined ceiling fan and light showing my new design;  
FIG. 2 is a bottom plan view thereof;  
FIG. 3 is a side elevational view thereof, the configuration being symmetrical about a vertical axis; and,  
FIG. 4 is a top plan view thereof.

## [56] References Cited

### U.S. PATENT DOCUMENTS

D. 314,618	2/1991	Yen	.....	D23/317
D. 342,311	12/1993	Rezek	.....	D23/379
4,342,073	7/1982	Ranten	.....	362/96

**1 Claim, 2 Drawing Sheets**



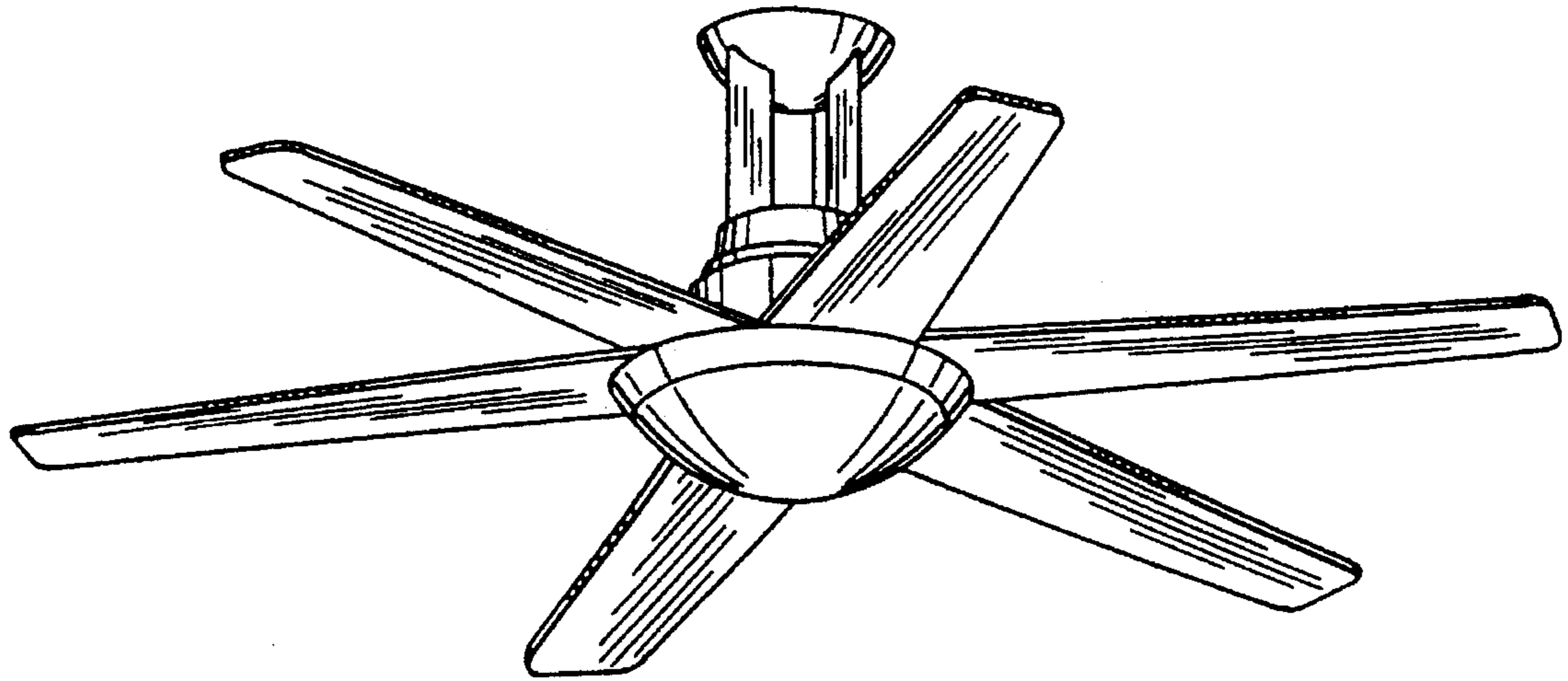


FIG. 1

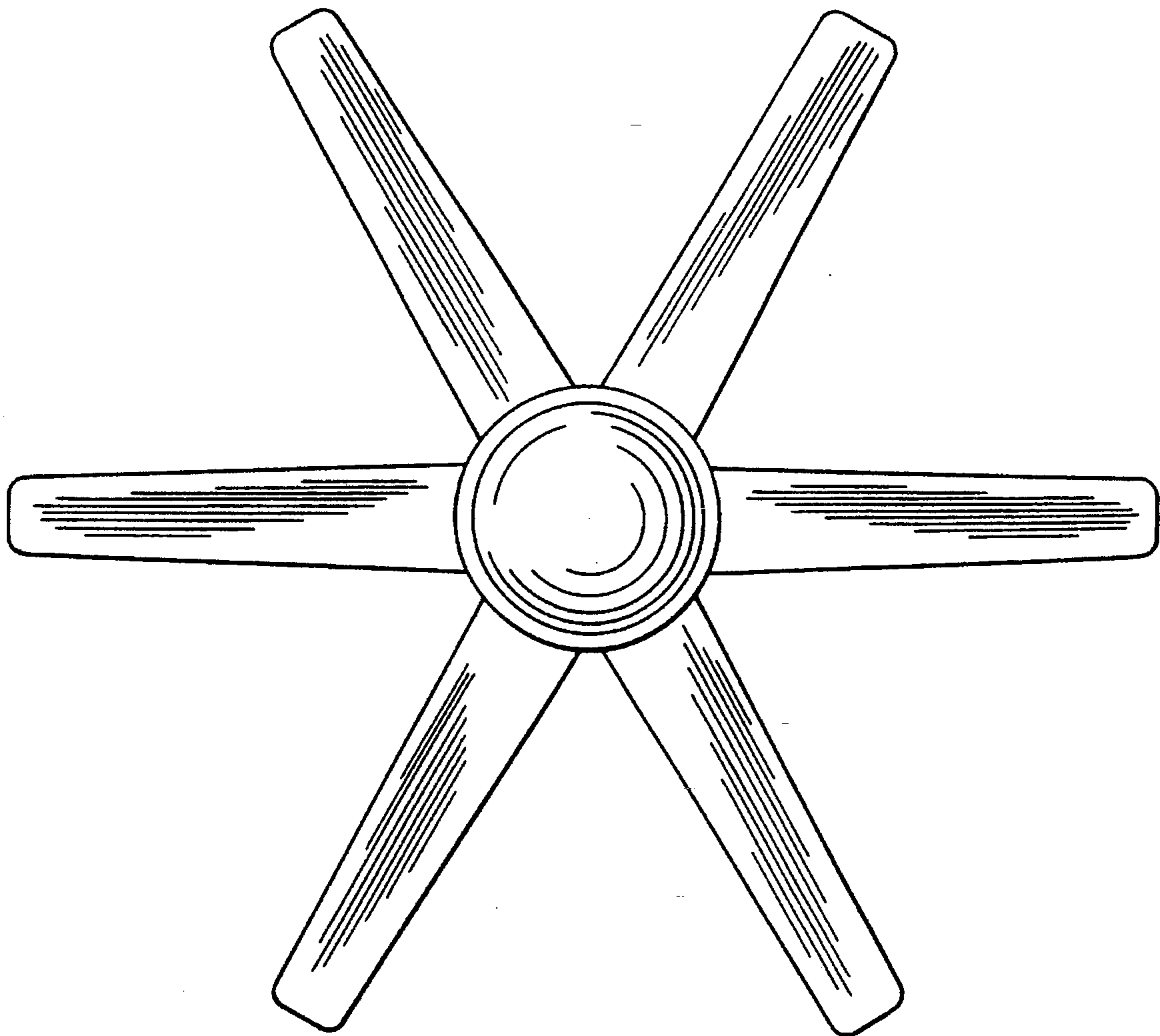


FIG. 2

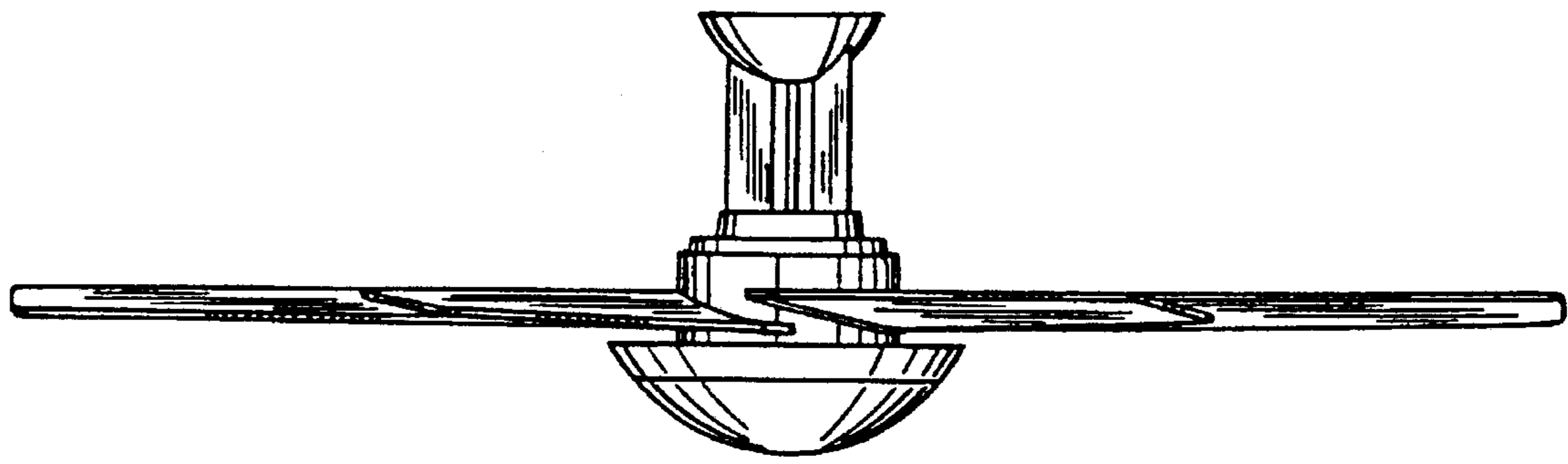


FIG. 3

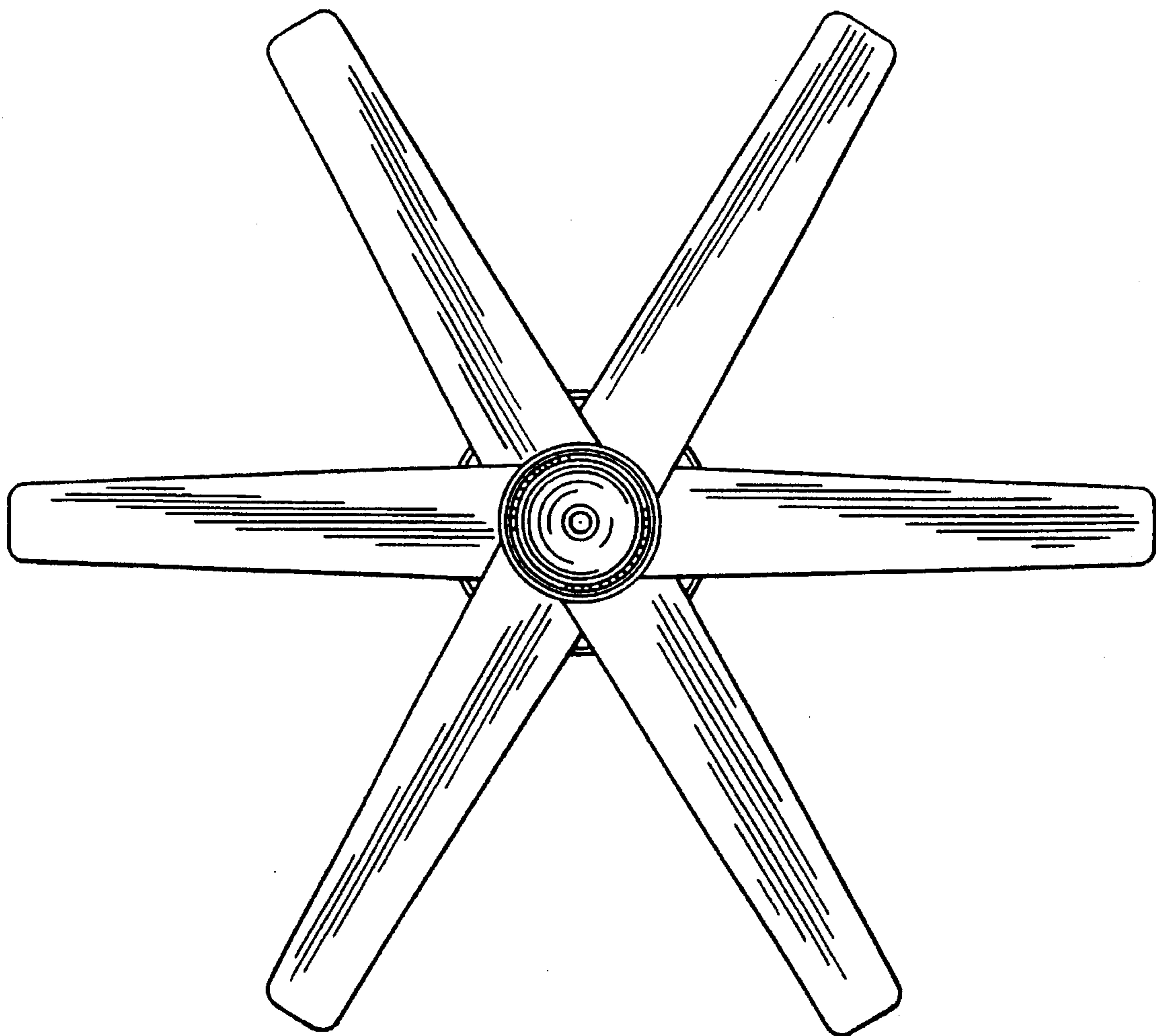


FIG. 4