



US00D377974S

United States Patent [19]

[11] Patent Number: **Des. 377,974**

Wasser

[45] Date of Patent: ****Feb. 11, 1997**

[54] **AIR PURIFIER**

Attorney, Agent, or Firm—Charles J. Prescott

[76] Inventor: **Robert E. Wasser**, 4569 Samuel St., Sarasota, Fla. 34233

[57] **CLAIM**

The ornamental design for an air purifier, as shown.

[**] Term: **14 Years**

DESCRIPTION

[21] Appl. No.: **35,209**

FIG. 1 is a right front perspective view of an air purifier showing my new design;

[22] Filed: **Feb. 22, 1995**

FIG. 2 is a right rear perspective view thereof;

[52] U.S. Cl. **D23/364; D23/355**

FIG. 3 is a top plan view thereof;

[58] Field of Search **D23/364; 55/472, 55/356; 454/234, 235; 422/168; 312/236, 263**

FIG. 4 is a bottom plan view thereof;

FIG. 5 is a right side elevation view thereof on a reduced scale;

[56] **References Cited**

FIG. 6 is a front elevation view thereof on a reduced scale;

U.S. PATENT DOCUMENTS

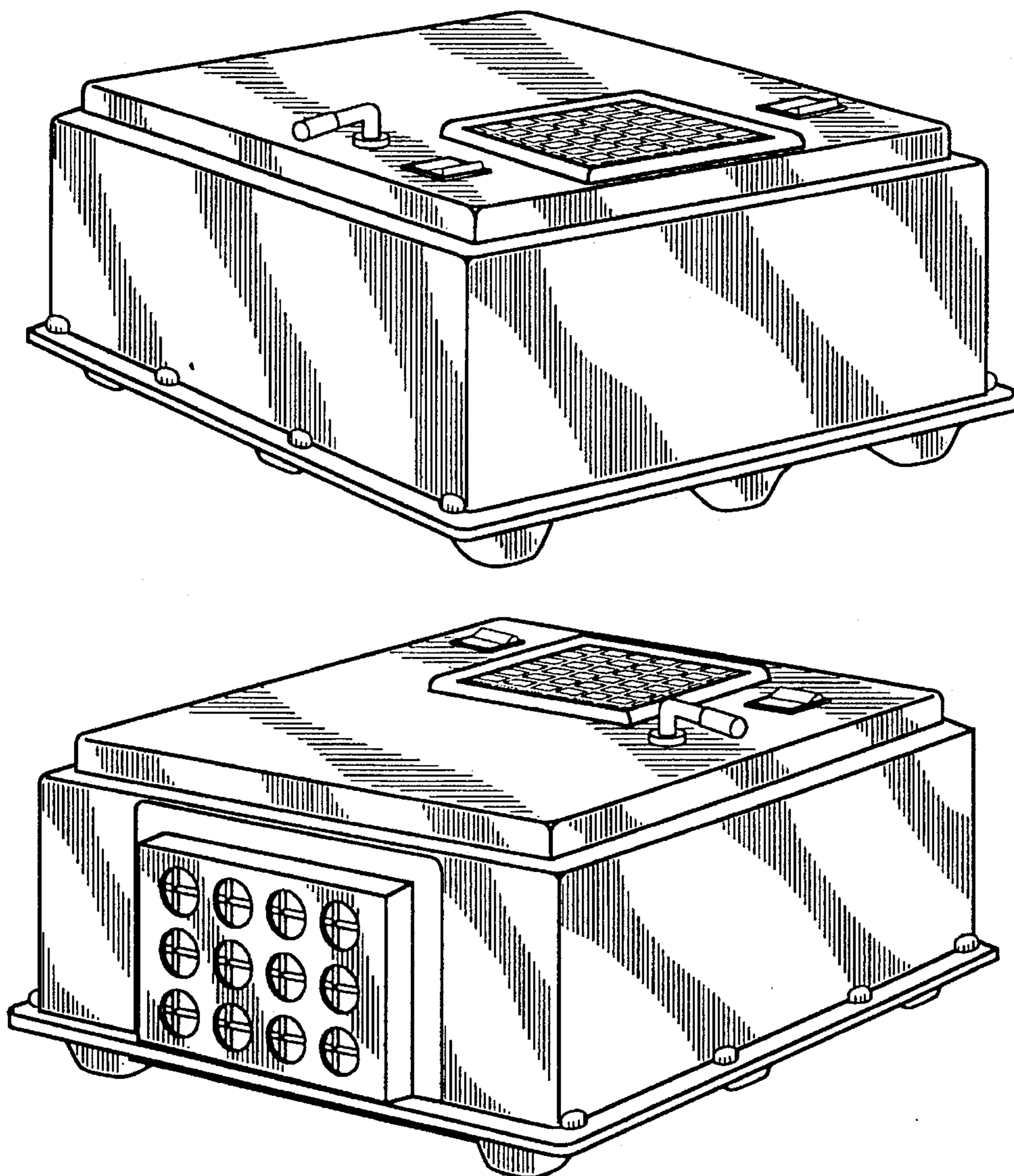
FIG. 7 is a left side elevation view thereof on a reduced scale; and,

D. 258,759 3/1981 Johnson D23/364
3,757,495 9/1973 Sievers 55/472

FIG. 8 is a rear elevation view thereof on a reduced scale.

Primary Examiner—Lisa P. Lichtenstein

1 Claim, 3 Drawing Sheets



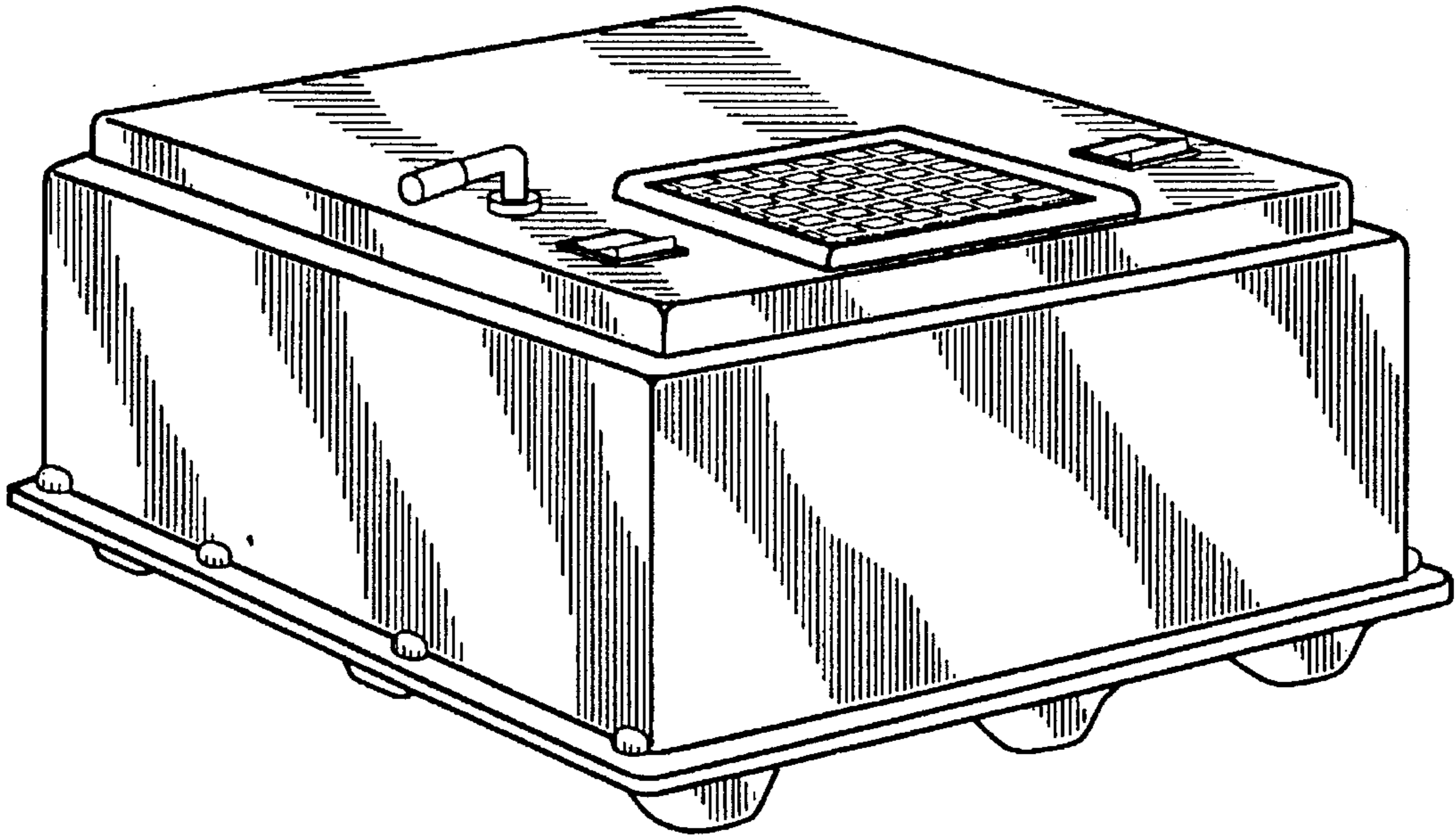


Fig.1

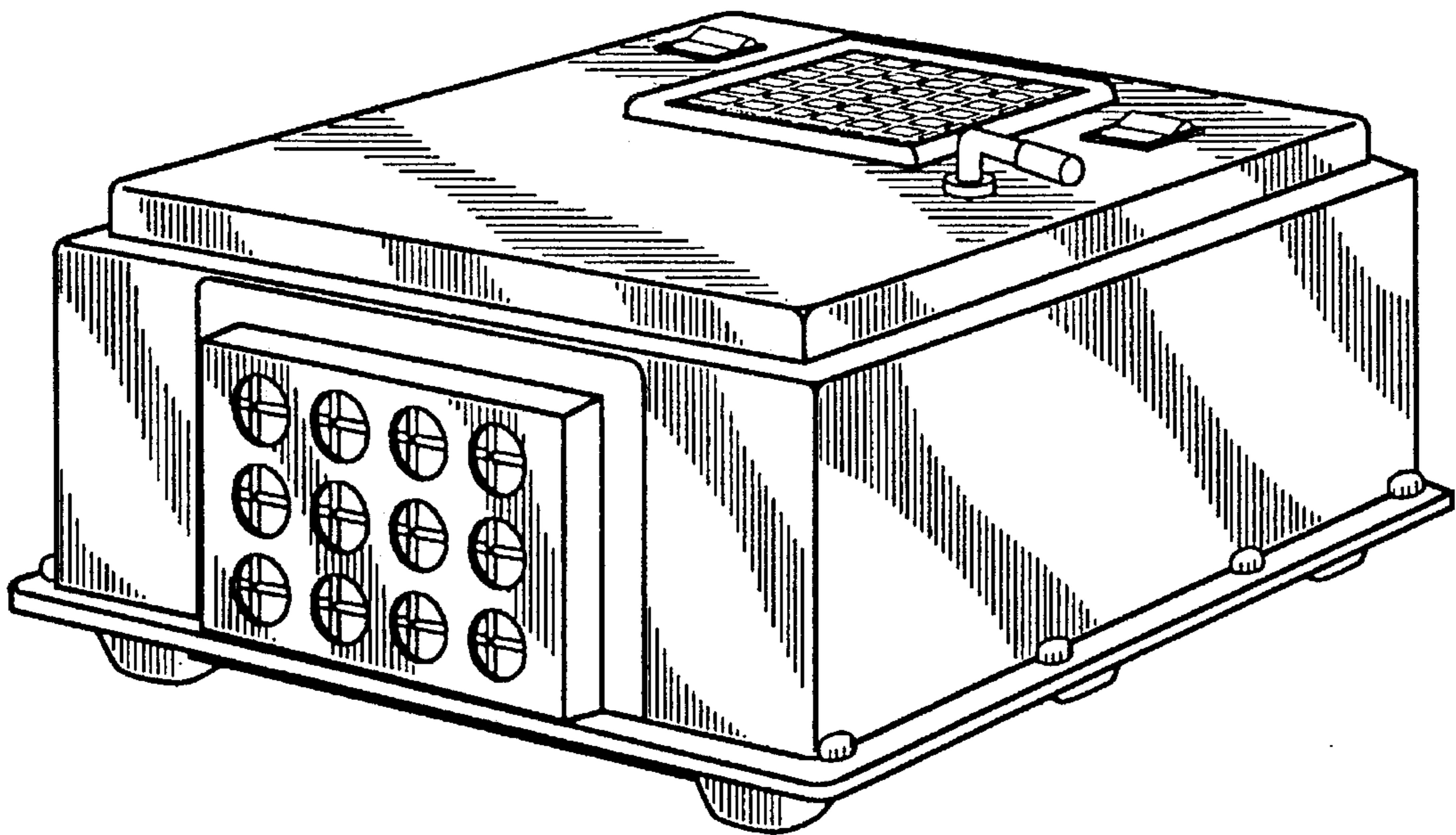


Fig.2

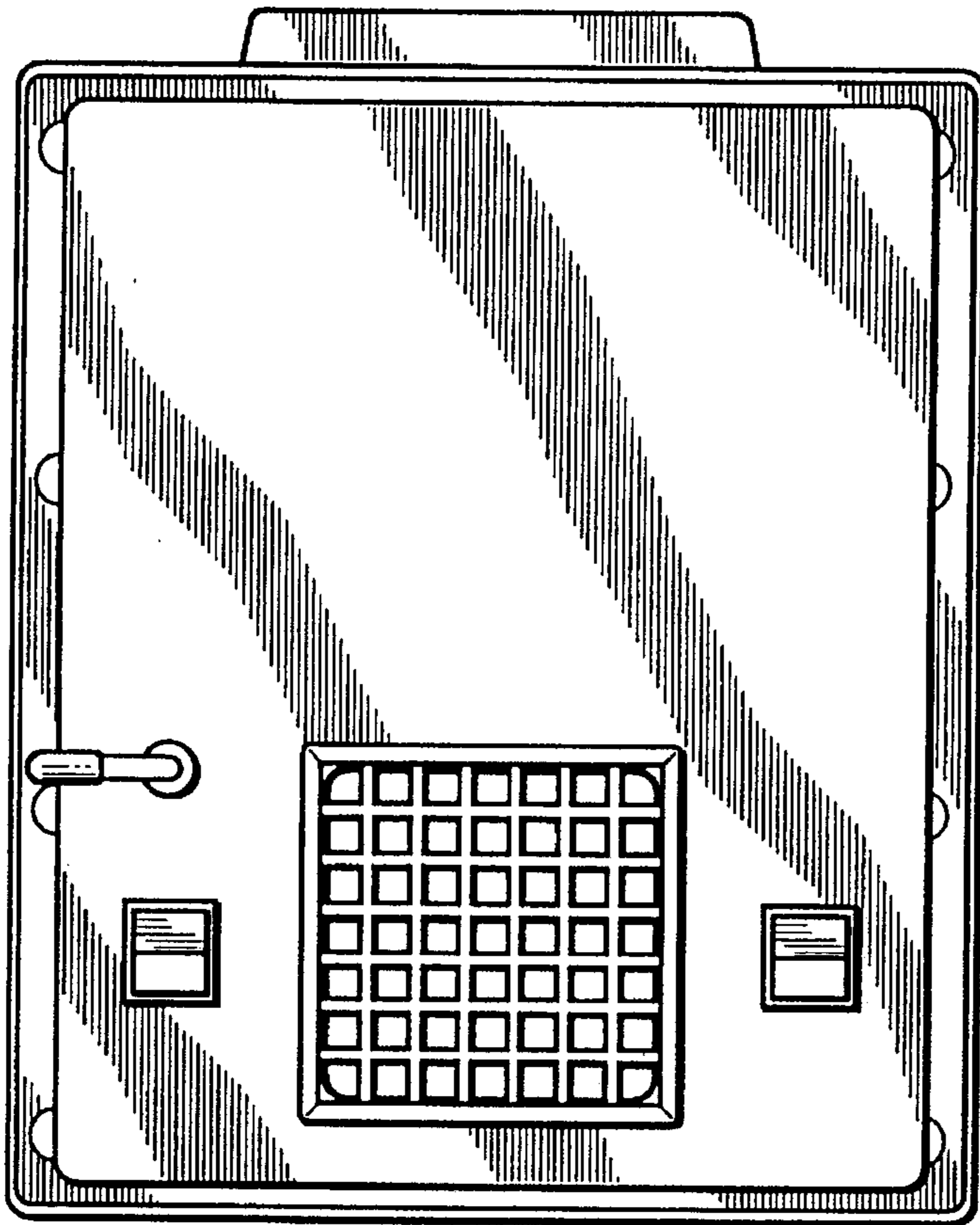


Fig.3

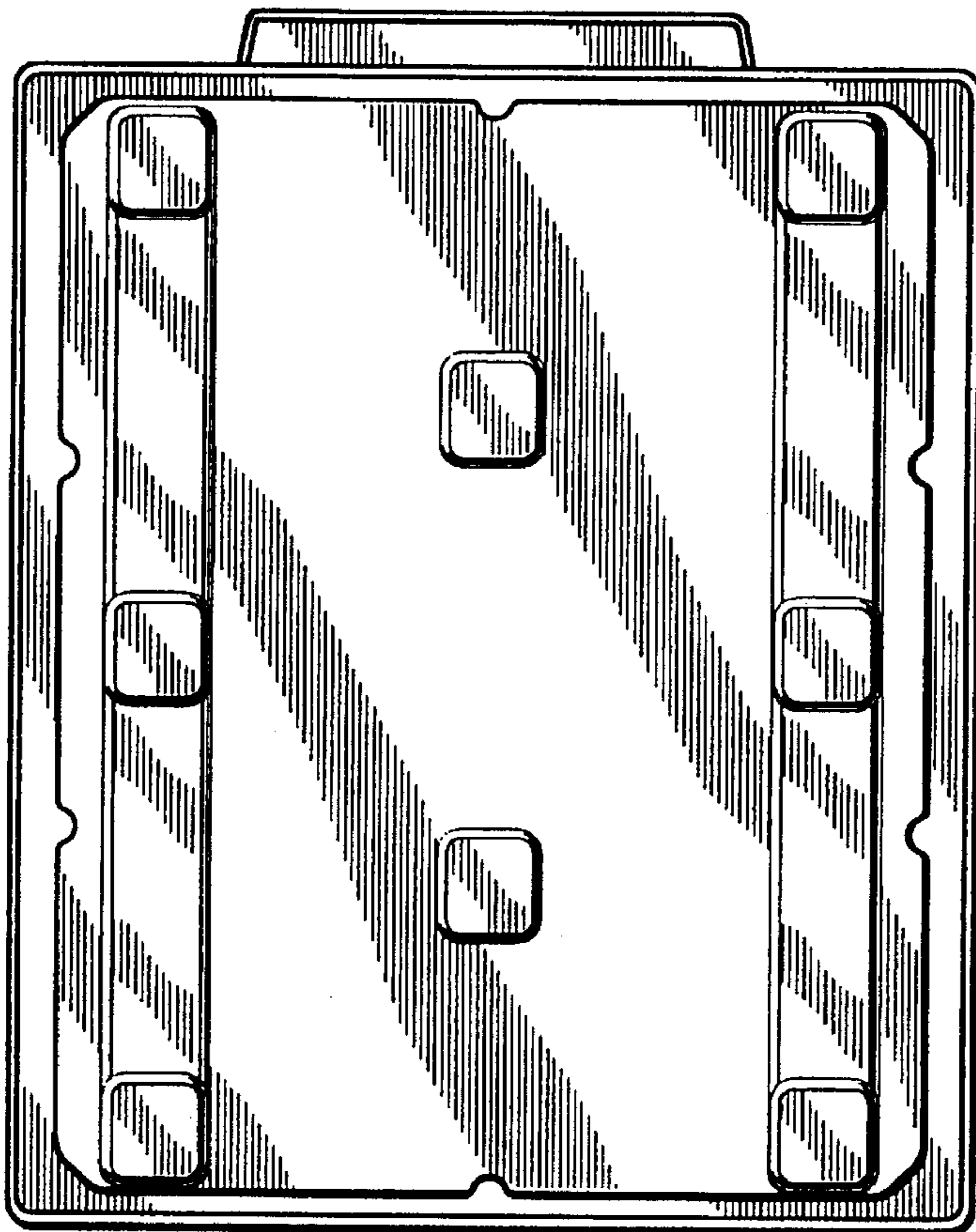


Fig.4

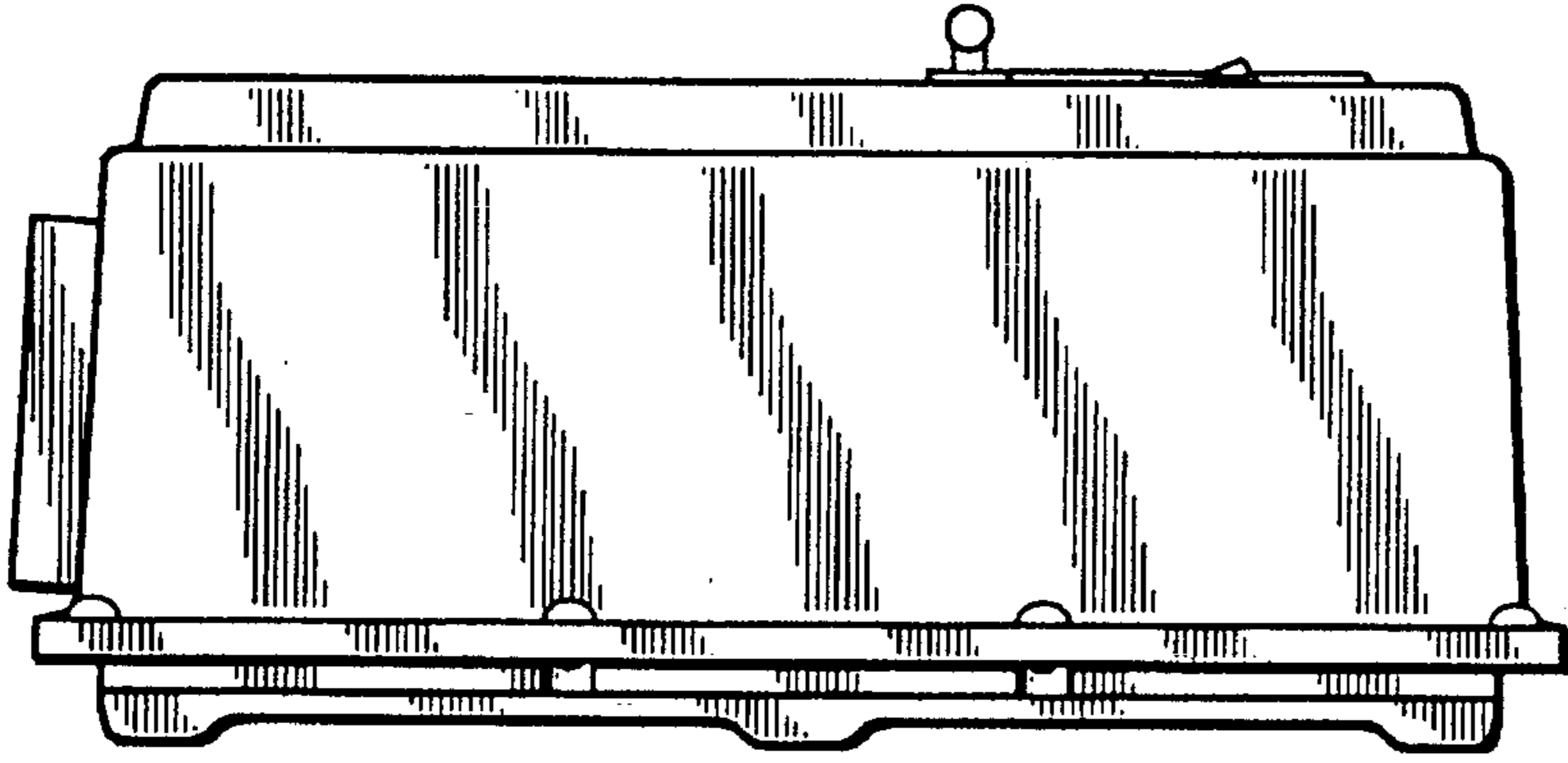


Fig.5

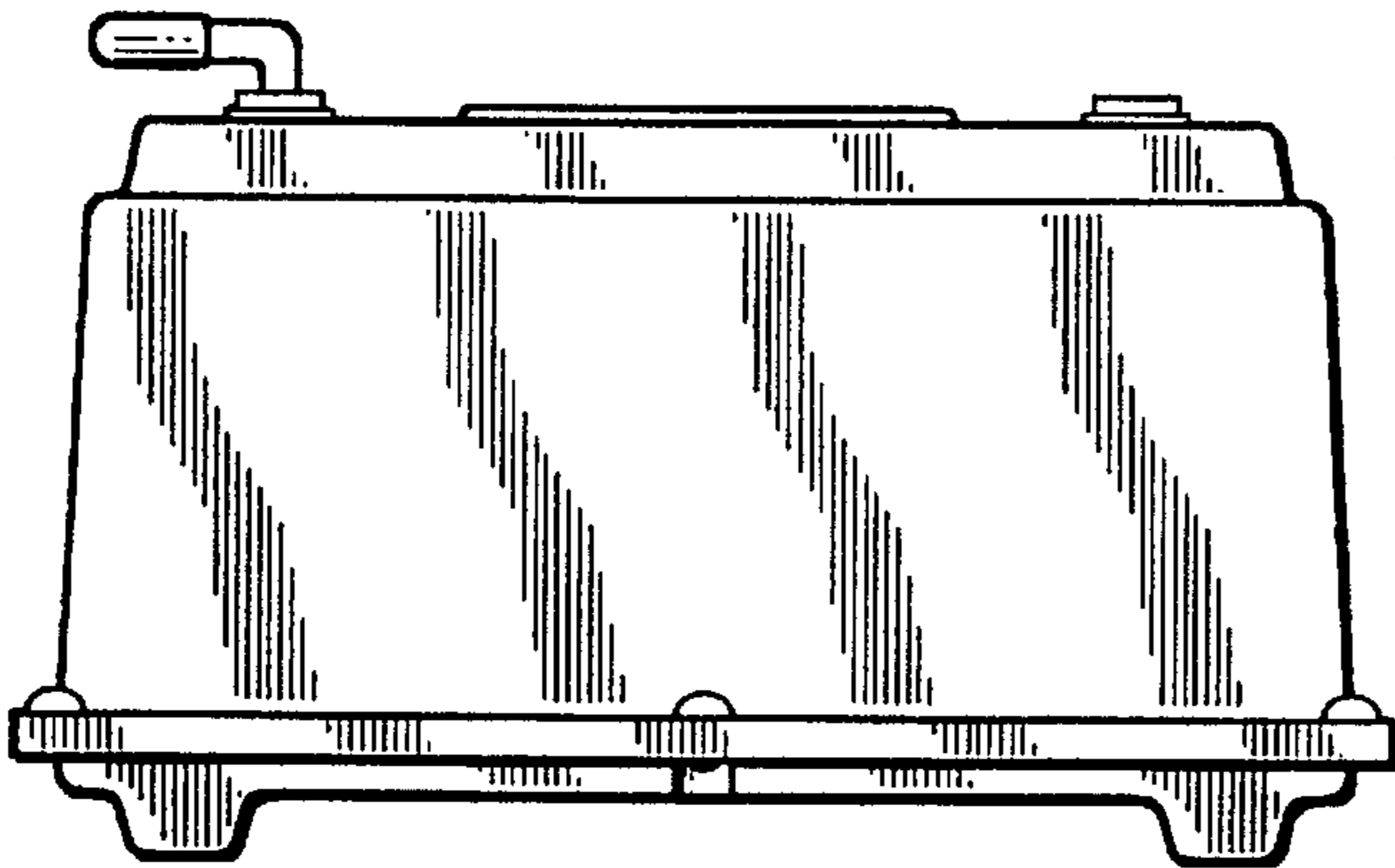


Fig.6

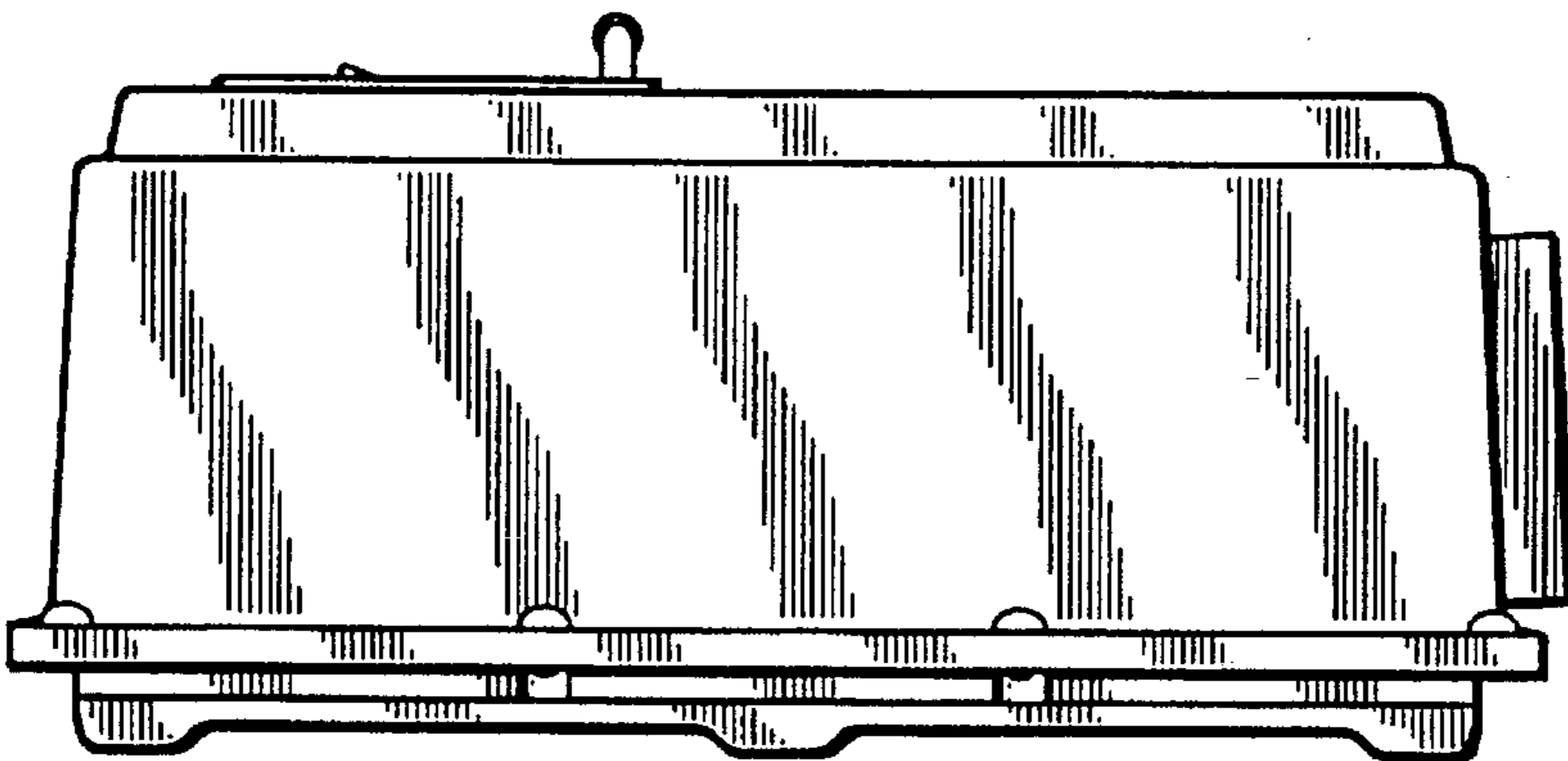


Fig.7

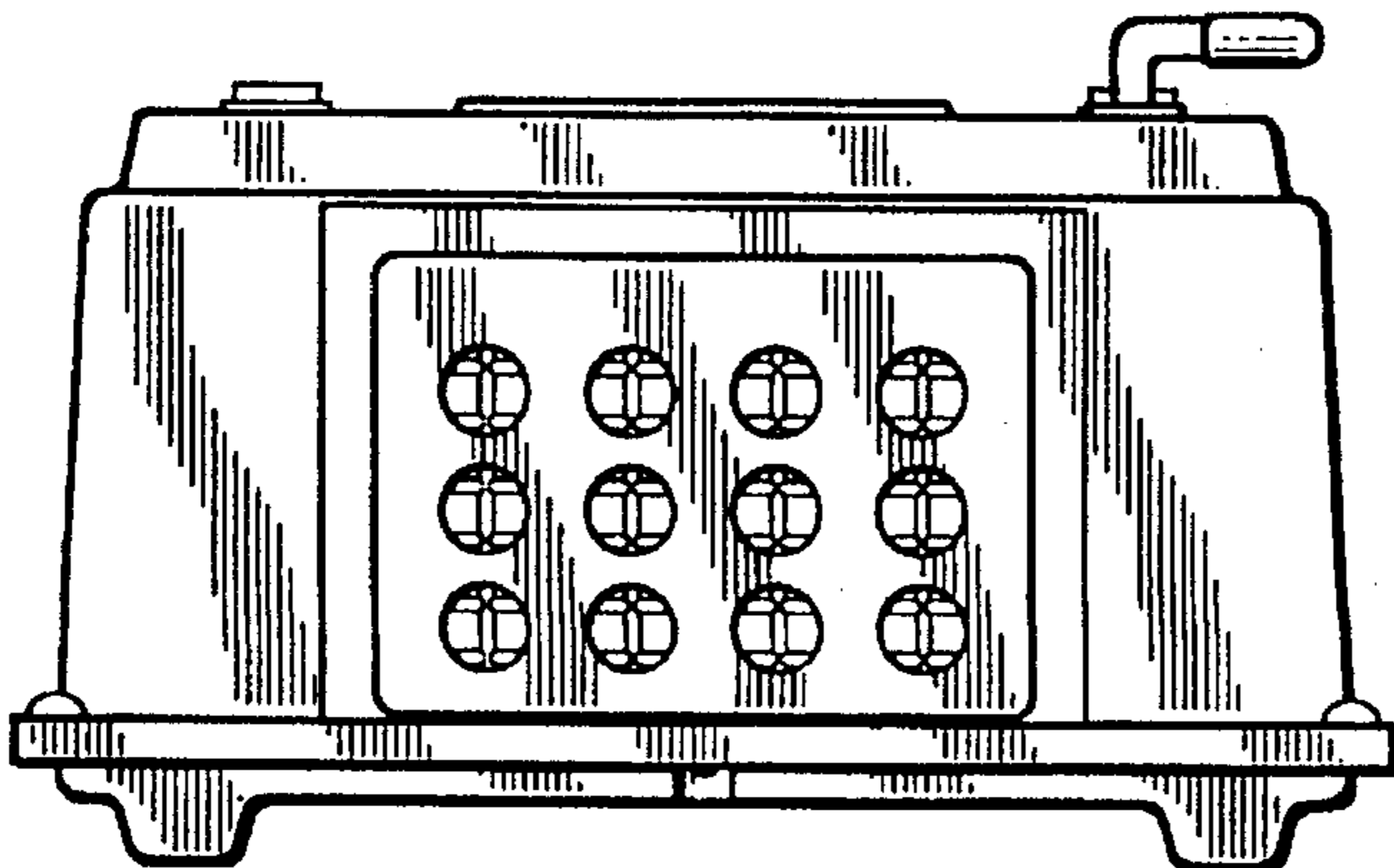


Fig.8