



US00D377968S

United States Patent [19]

[11] **Patent Number: Des. 377,968**

Bertoli

[45] **Date of Patent: **Feb. 11, 1997**

[54] **FAUCET**

| | | | | |
|------------|---------|-------------|-------|---------|
| D. 344,127 | 2/1994 | Carr et al. | | D23/238 |
| D. 344,324 | 2/1994 | Mattis | | D23/238 |
| D. 364,214 | 11/1995 | Lobermeier | | D23/238 |

[75] Inventor: **Franco Bertoli**, Milan, Italy

[73] Assignee: **American Standard Inc.**, Piscataway, N.J.

Primary Examiner—Louis S. Zarfes
Assistant Examiner—Eric Watterson
Attorney, Agent, or Firm—Ann M. Knab; Elaine Brenner Robinson

[**] Term: **14 Years**

[21] Appl. No.: **40,675**

[57] **CLAIM**

[22] Filed: **Jun. 23, 1995**

The ornamental design for a faucet, as shown and described.

[30] **Foreign Application Priority Data**

DESCRIPTION

Jan. 24, 1995 [IT] Italy RE950000001

[52] **U.S. Cl.** **D23/238**

[58] **Field of Search** D23/238-243,
D23/250-257; 4/675-678; 137/801

FIG. 1 is a perspective view taken from the top, rear and right side of a faucet showing my new design;

FIG. 2 is a left side view thereof, the right side being a mirror image of the left side;

FIG. 3 is a rear elevational view thereof;

FIG. 4 is a front elevational view thereof;

FIG. 5 is a top plan view thereof; and,

FIG. 6 is a bottom plan view thereof.

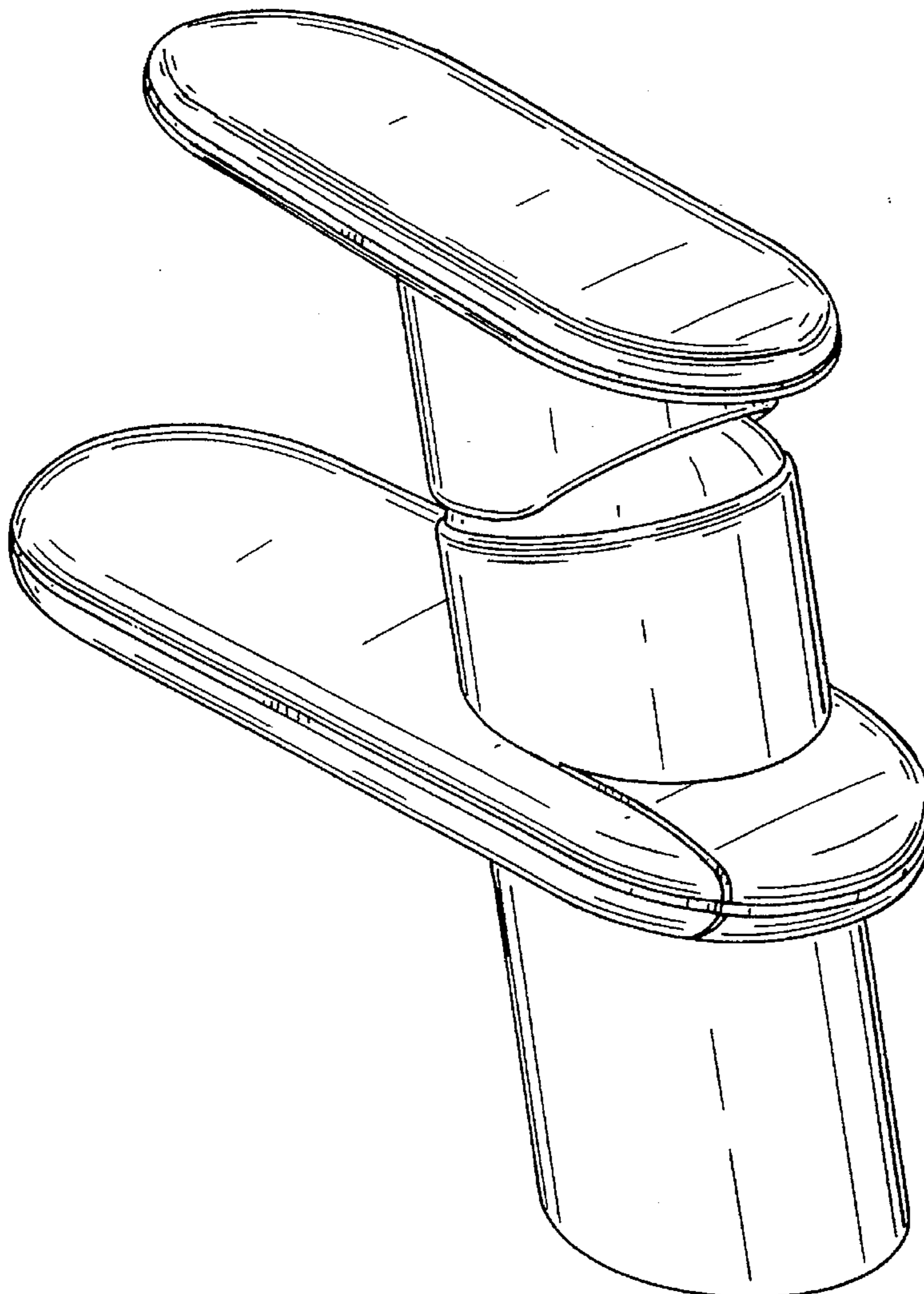
[56] **References Cited**

U.S. PATENT DOCUMENTS

D. 324,904 3/1992 Haus et al. D23/238

D. 324,905 3/1992 Chrefin D23/238

1 Claim, 3 Drawing Sheets



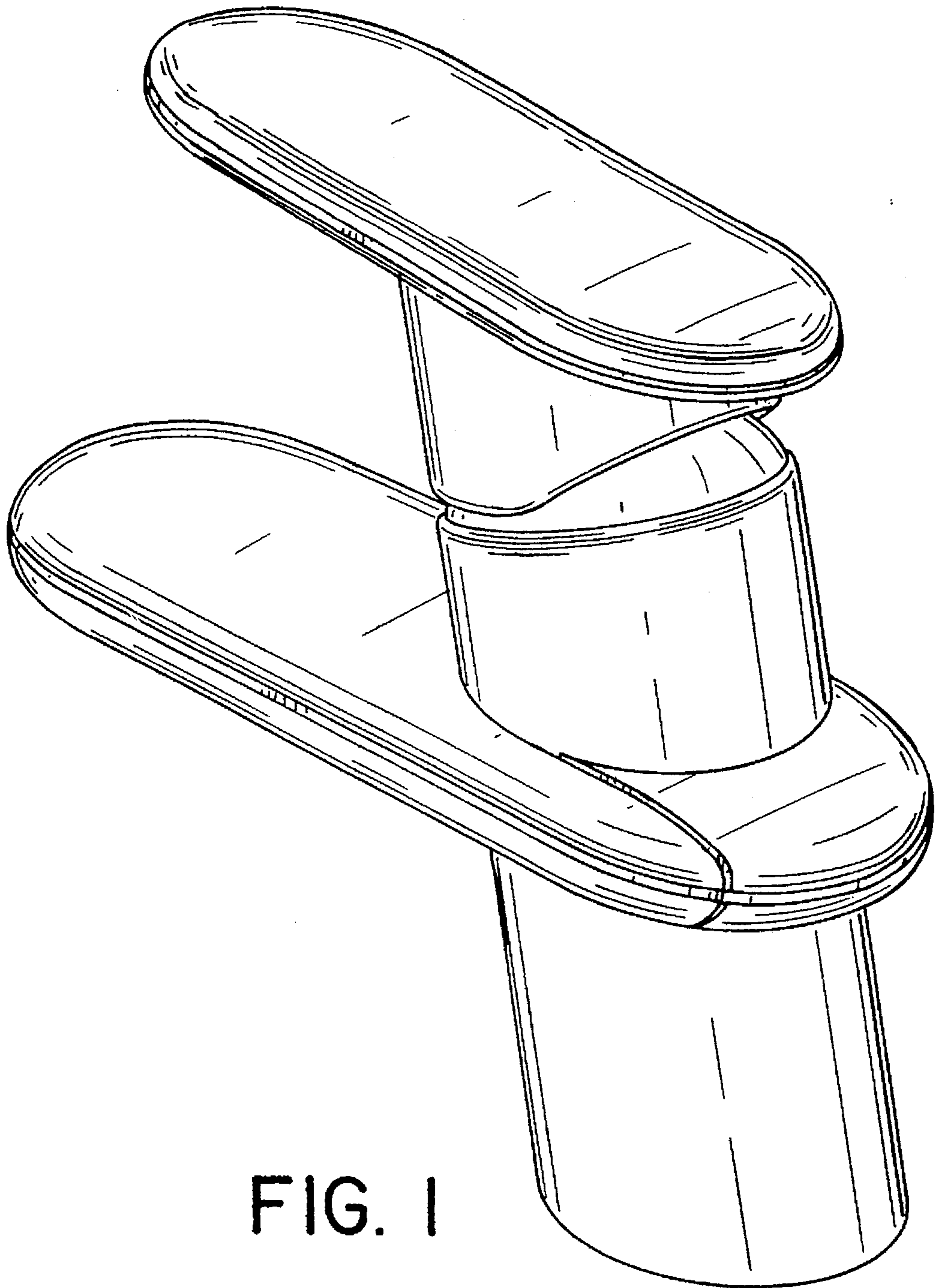


FIG. 1

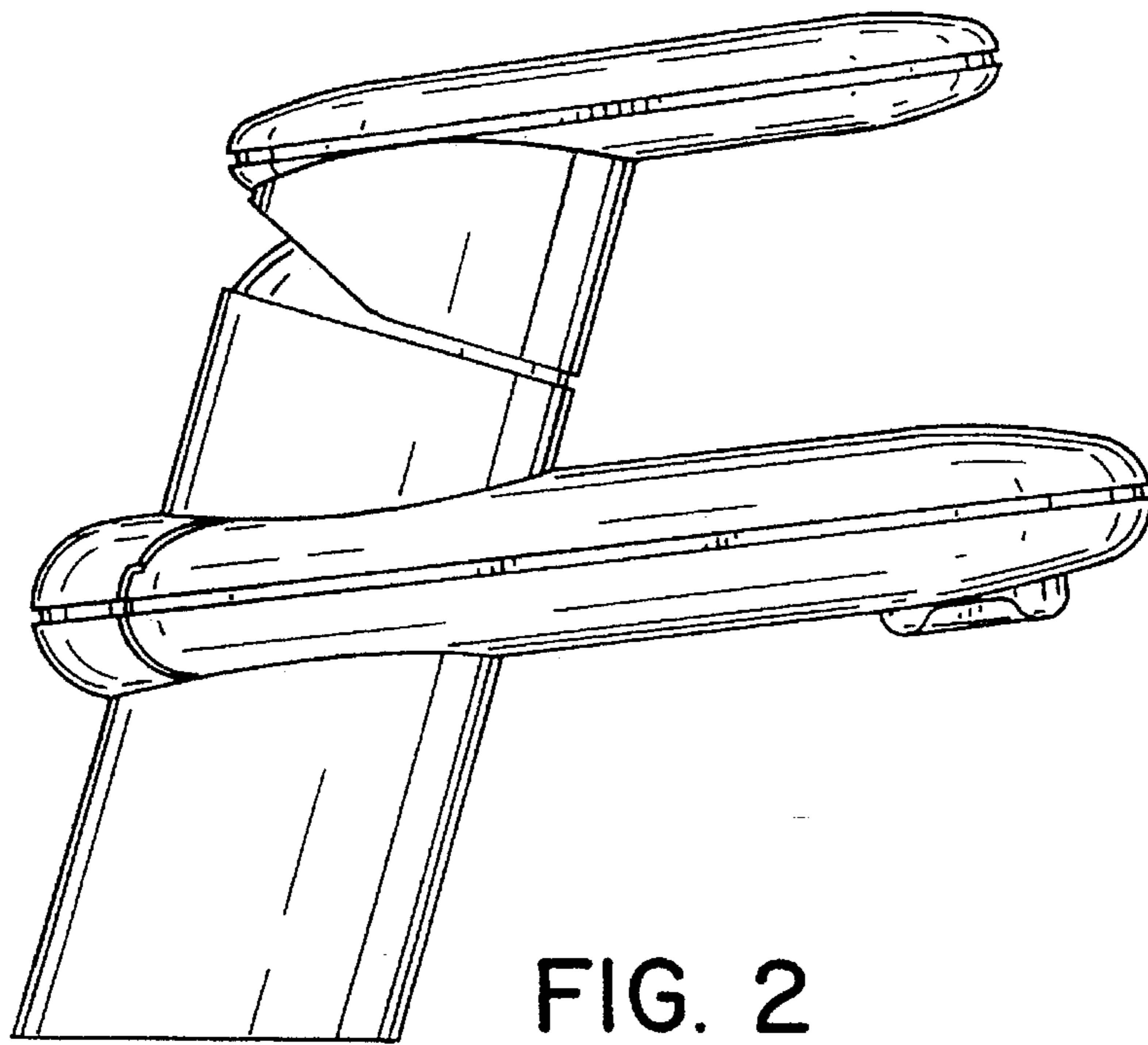


FIG. 2

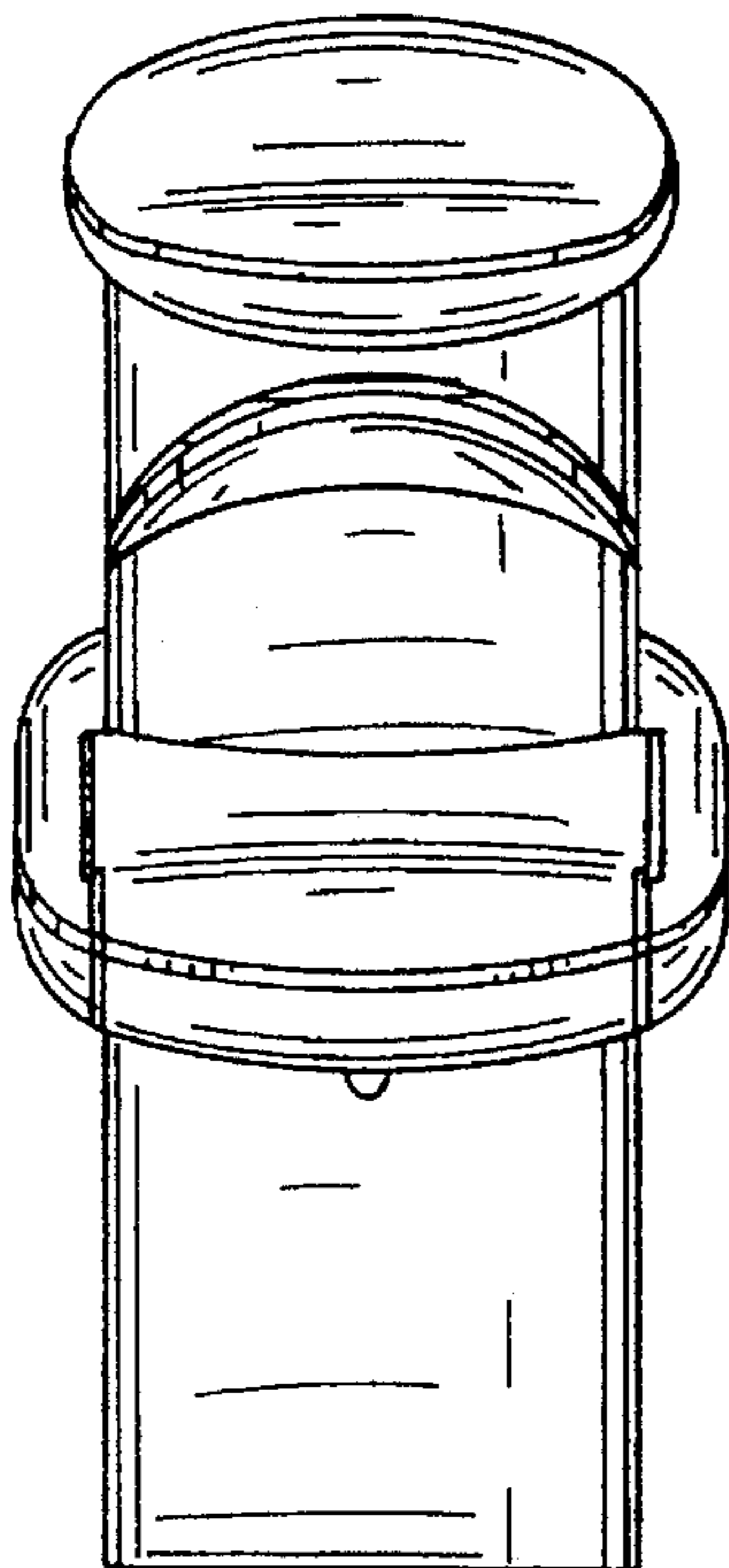


FIG. 3

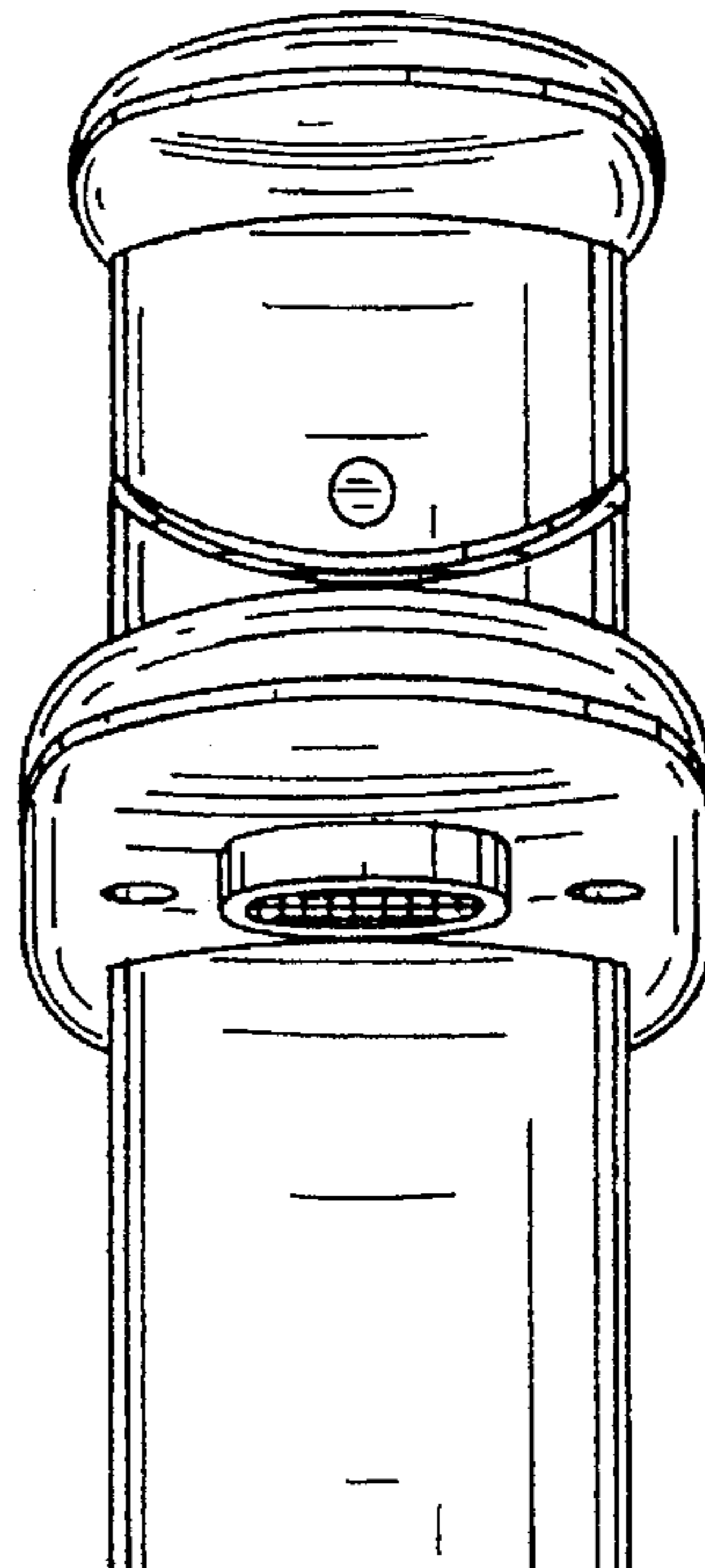


FIG. 4

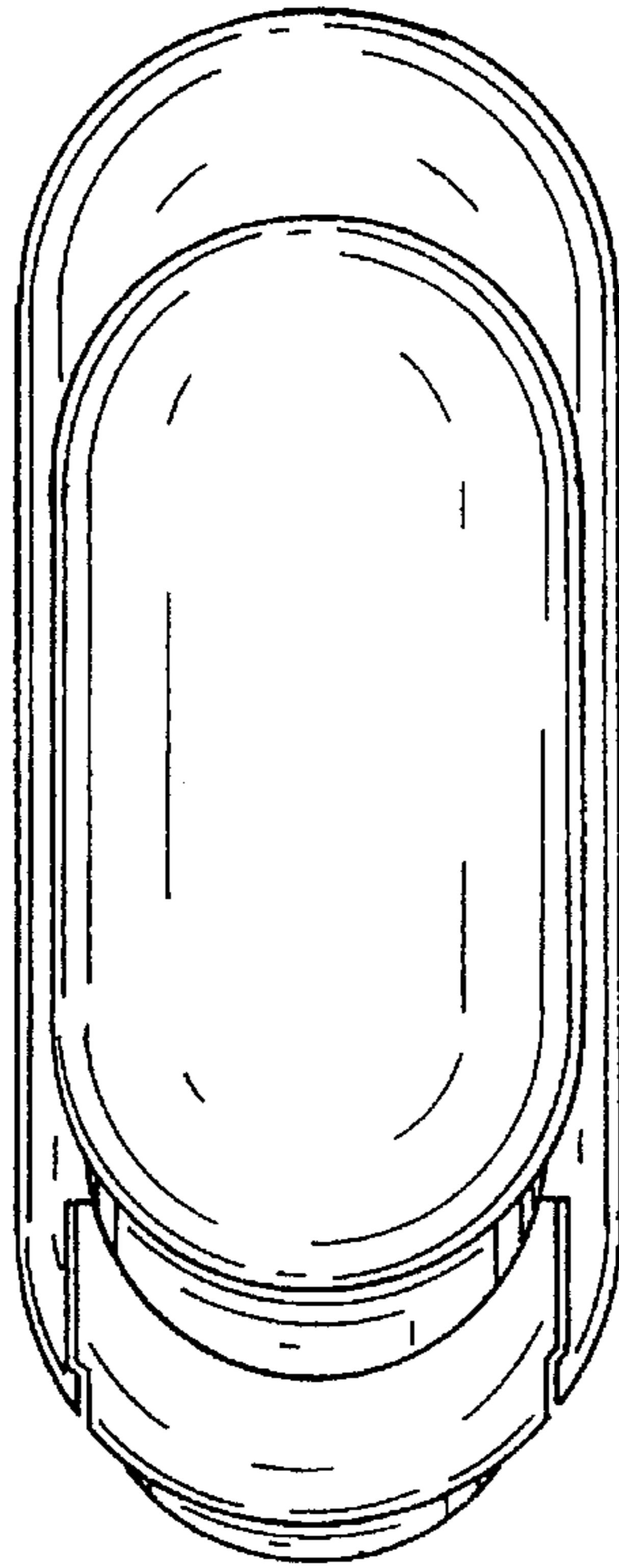


FIG. 5

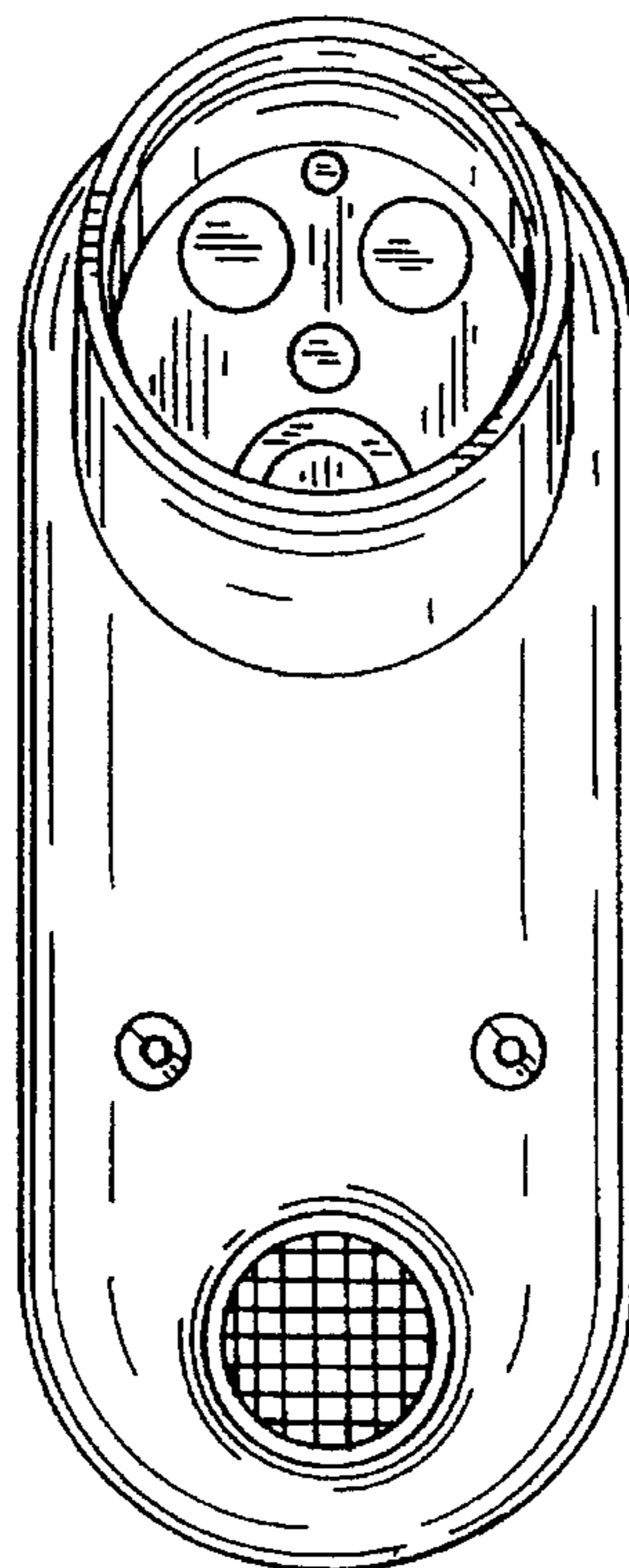


FIG. 6