



US00D377967S

United States Patent [19]

[11] Patent Number: **Des. 377,967**

Rozek et al.

[45] Date of Patent: ****Feb. 11, 1997**

[54] **AIR COMPRESSOR**

[75] Inventors: **Roy J. Rozek**, Plymouth; **Ross Christiansen**, Kiel, both of Wis.

[73] Assignee: **Thomas Industries Inc.**, Sheboygan, Wis.

[**] Term: **14 Years**

[21] Appl. No.: **46,284**

[22] Filed: **Nov. 13, 1995**

[52] U.S. Cl. **D23/235**; D15/9

[58] Field of Search D23/233-237,
D23/244-249; D15/7, 9; 417/415, 235,
410, 411

[56] **References Cited**

U.S. PATENT DOCUMENTS

D. 273,958	5/1984	Mariol	D15/9
D. 293,682	1/1988	Liou	D15/9
D. 295,754	5/1988	Wang	D15/9
D. 328,305	7/1992	Wong	D15/9
D. 352,295	11/1994	Morgan	D15/9
D. 356,800	3/1995	Chen	D15/9

OTHER PUBLICATIONS

Thomas Industries Inc. product brochure dated Apr. 1994 showing the 2619/2621 series compressors/vacuum pumps.
Thomas Industries Inc. product brochure dated Jun. 1994 showing the 2600 series compressors/pumps.

Thomas Industries Inc. product brochure dated Jun. 1994 showing the 2807 series compressors/pumps.

Thomas Industries Inc. product brochure dated Jul. 1995 showing the 2750 series compressor/vacuum pumps.

Primary Examiner—Stella Reid
Assistant Examiner—Eric Watterson
Attorney, Agent, or Firm—Quarles & Brady

[57] **CLAIM**

The ornamental design for an air compressor, as shown and described.

DESCRIPTION

FIG. 1 is a perspective view taken from the top, front and left side of an air compressor embodying our new design;

FIG. 2 is a left side elevational view thereof;

FIG. 3 is a right side elevational view thereof;

FIG. 4 is a front elevational view thereof;

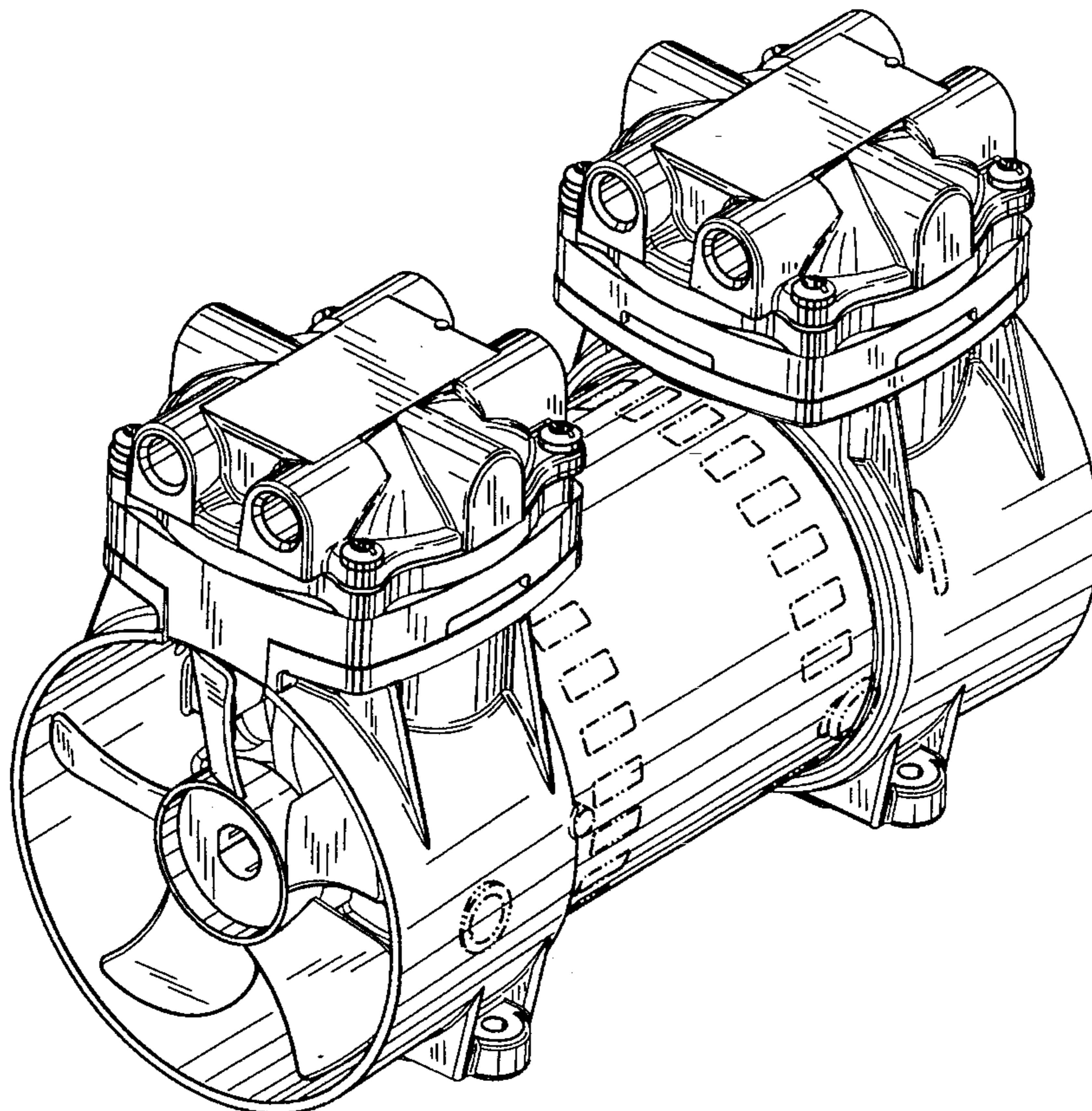
FIG. 5 is a rear elevational view thereof;

FIG. 6 is a top plan view thereof; and,

FIG. 7 is a bottom plan view thereof.

The broken line representations of vents and ports in FIGS. 1, 2, 3, 4, 5, 6 and 7 are for purposes of illustration only and form no part of the claimed design.

1 Claim, 7 Drawing Sheets



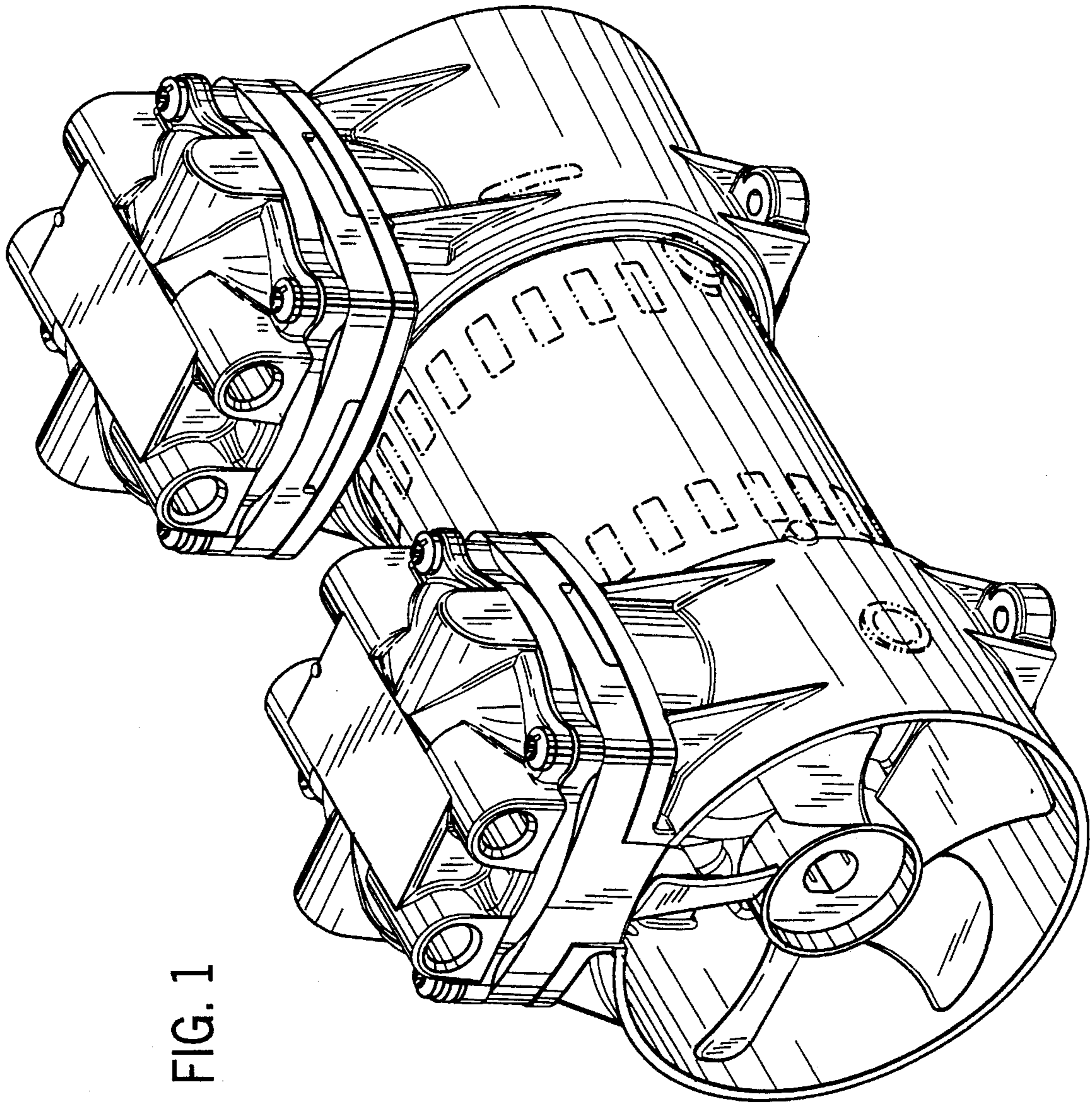


FIG. 1

FIG. 2

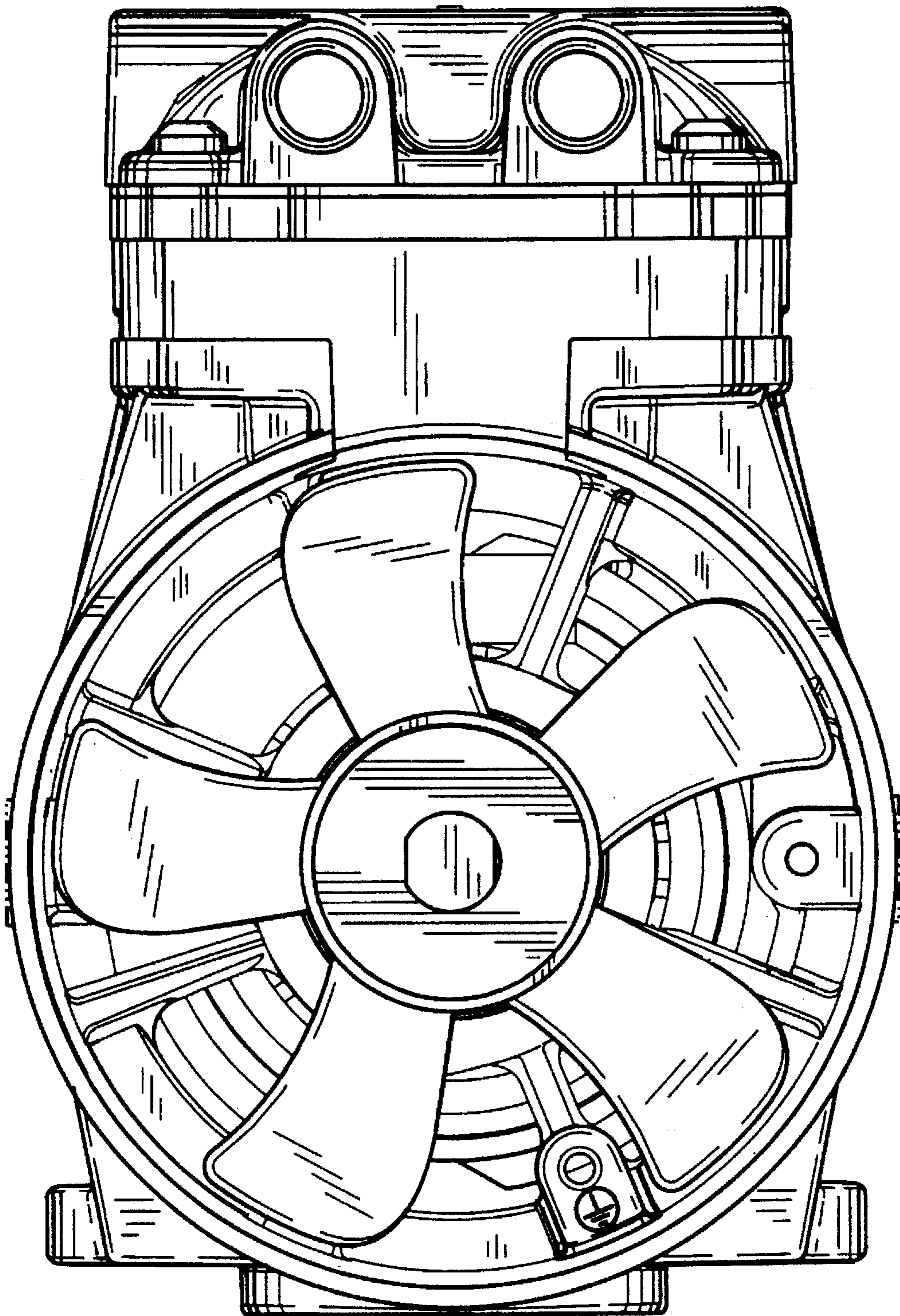
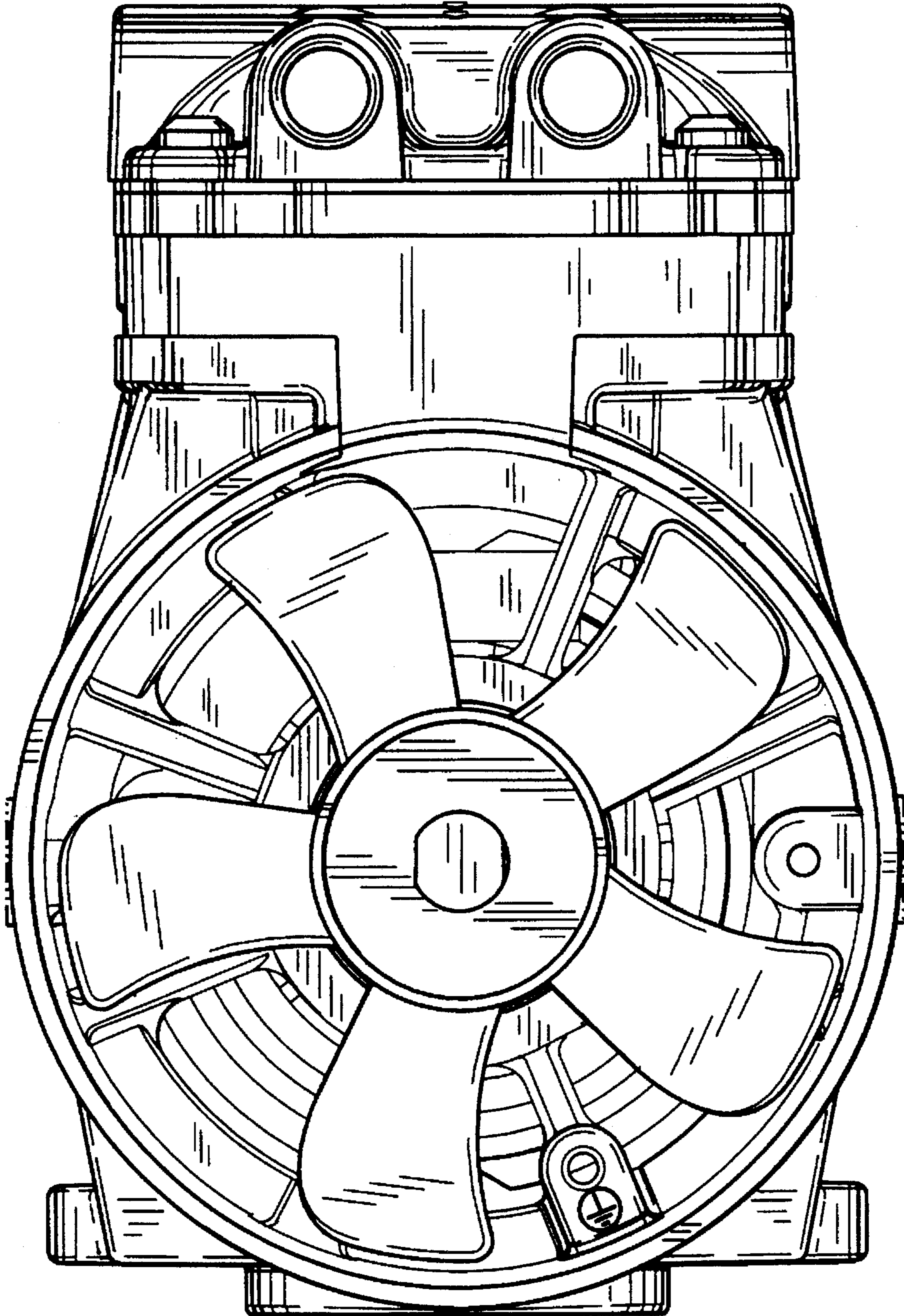


FIG. 3



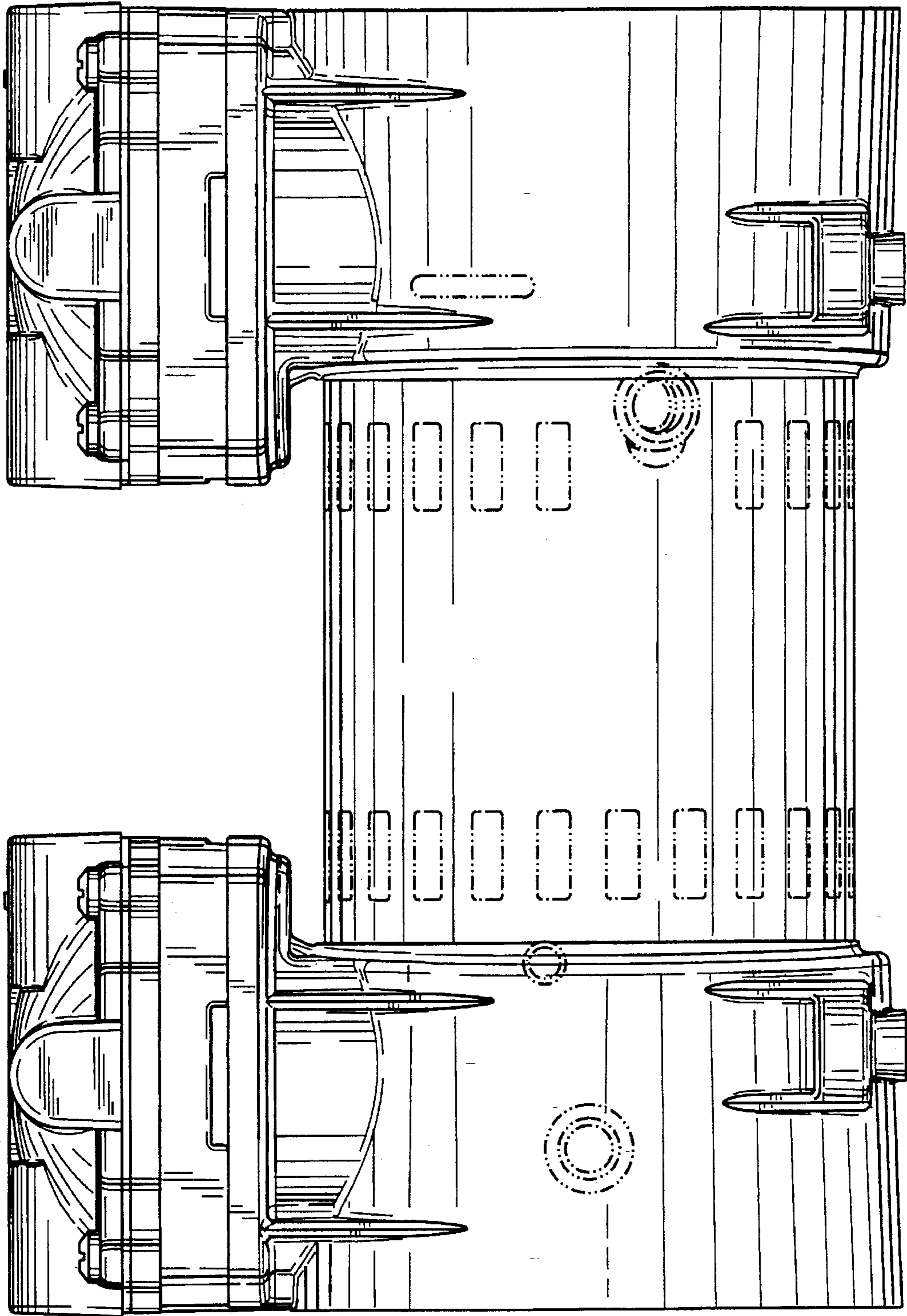


FIG. 4

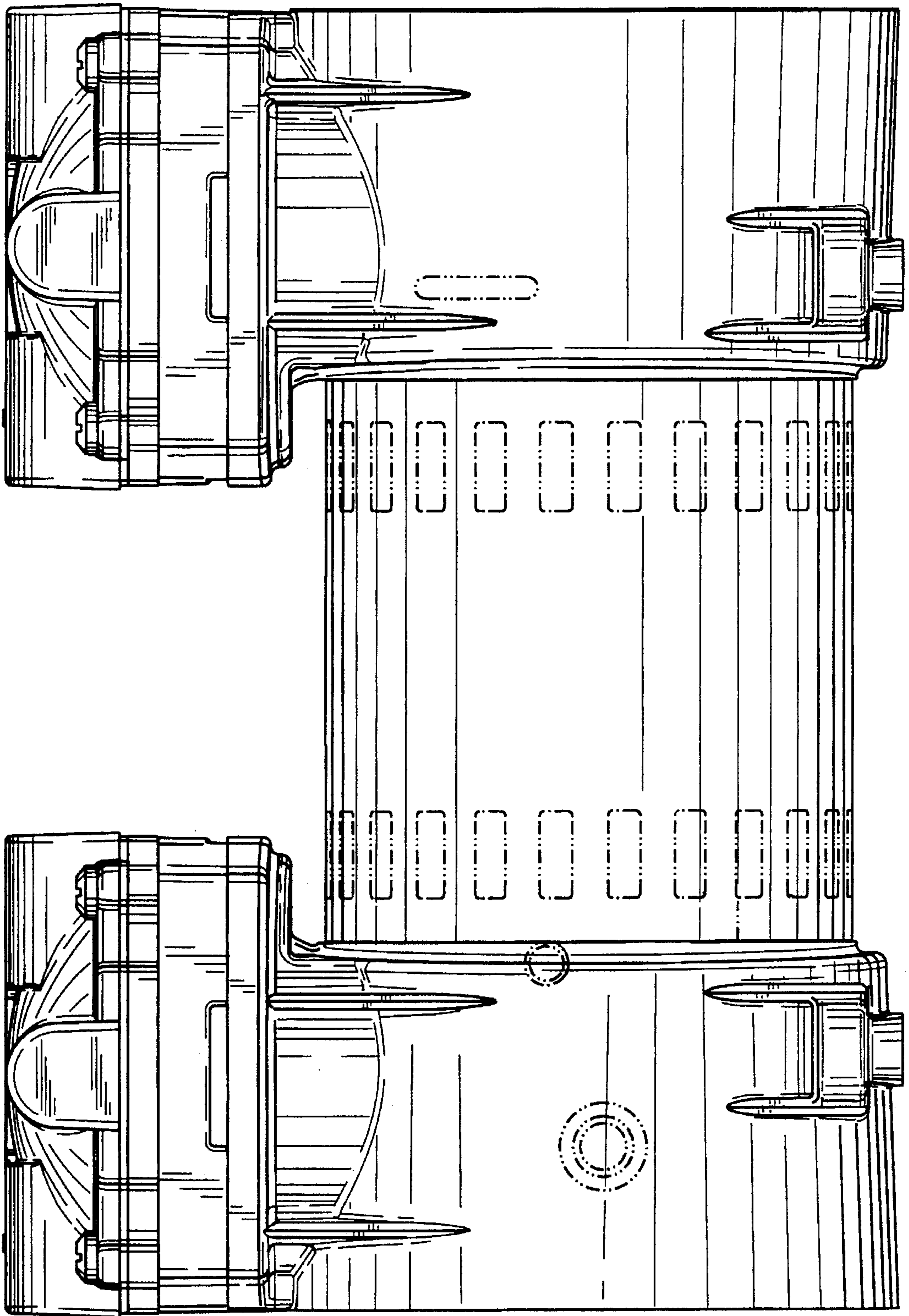


FIG. 5

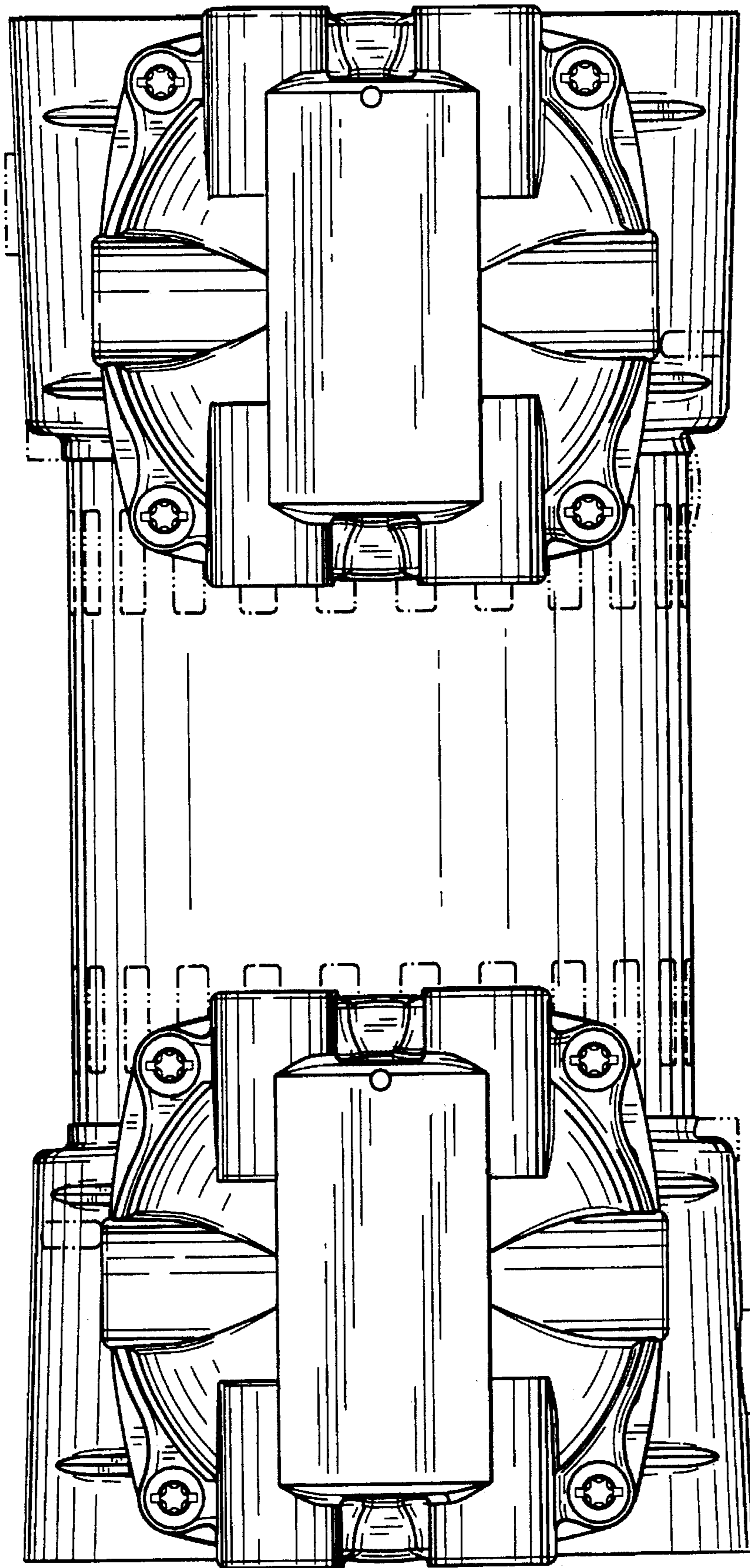


FIG. 6

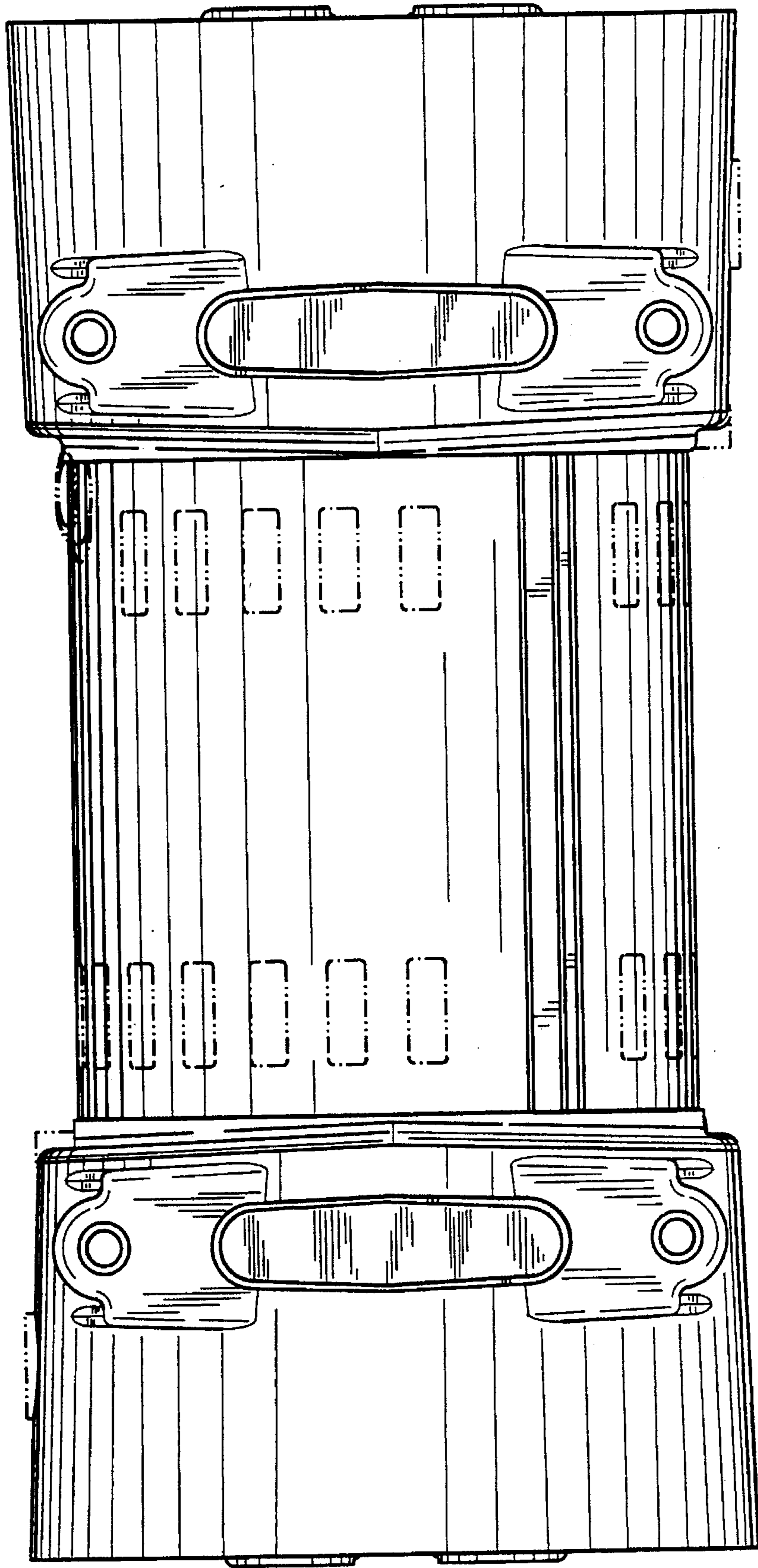


FIG. 7