



US00D377961S

United States Patent [19]

[11] Patent Number: **Des. 377,961**

Dickson et al.

[45] Date of Patent: ****Feb. 11, 1997**

[54] **INSECT BAIT STATION**

[75] Inventors: **Dane Dickson**, Pleasanton; **Frank Knafelc**, Lafayette; **Ronald E. Heiskell**, Tracy; **Ezra A. Theys**, San Mateo; **David E. Kolarich**, Walnut Creek, all of Calif.

[73] Assignee: **The Clorox Company**, Del.

[**] Term: **14 Years**

[21] Appl. No.: **38,349**

[22] Filed: **May 4, 1995**

[52] U.S. Cl. **D22/122**

[58] Field of Search **D22/119, 122, D22/123; 43/107, 111, 114, 115, 116, 121, 122, 131, 132**

4,563,836	1/1986	Woodruff et al.	43/131
4,698,934	10/1987	Gonzalez et al.	43/121
4,761,912	8/1988	Dyer et al.	43/121
4,793,093	12/1988	Gentile	43/131
4,823,506	4/1989	Demarest	43/131
4,837,969	6/1989	Demarest	43/131
4,894,947	1/1990	Brandli	43/131
5,033,229	7/1991	Demarest et al.	43/131
5,040,327	8/1991	Stack et al.	43/131
5,048,225	9/1991	Brandli	43/131
5,090,153	2/1992	Mullen et al.	43/114
5,357,709	10/1994	Lin	43/131

Primary Examiner—Doris V. Coles
 Attorney, Agent, or Firm—Harry A. Pacini

[57] CLAIM

The ornamental design for an insect bait station, as described and shown.

DESCRIPTION

FIG. 1 is a perspective view of an insect bait station showing our new design with a cover in place;

FIG. 2 is a perspective view of an insect bait station of FIG. 1 showing our new design with the cover removed;

FIG. 3 is a front elevational view, the rear being a mirror image thereof;

FIG. 4 is a top plan view thereof;

FIG. 5 is a bottom plan view thereof;

FIG. 6 is a perspective view of a second embodiment with a cover in place;

FIG. 7 is a perspective view of the second embodiment with the cover removed;

FIG. 8 is a front elevational view, the rear being a mirror image thereof;

FIG. 9 is a top plan view thereof; and,

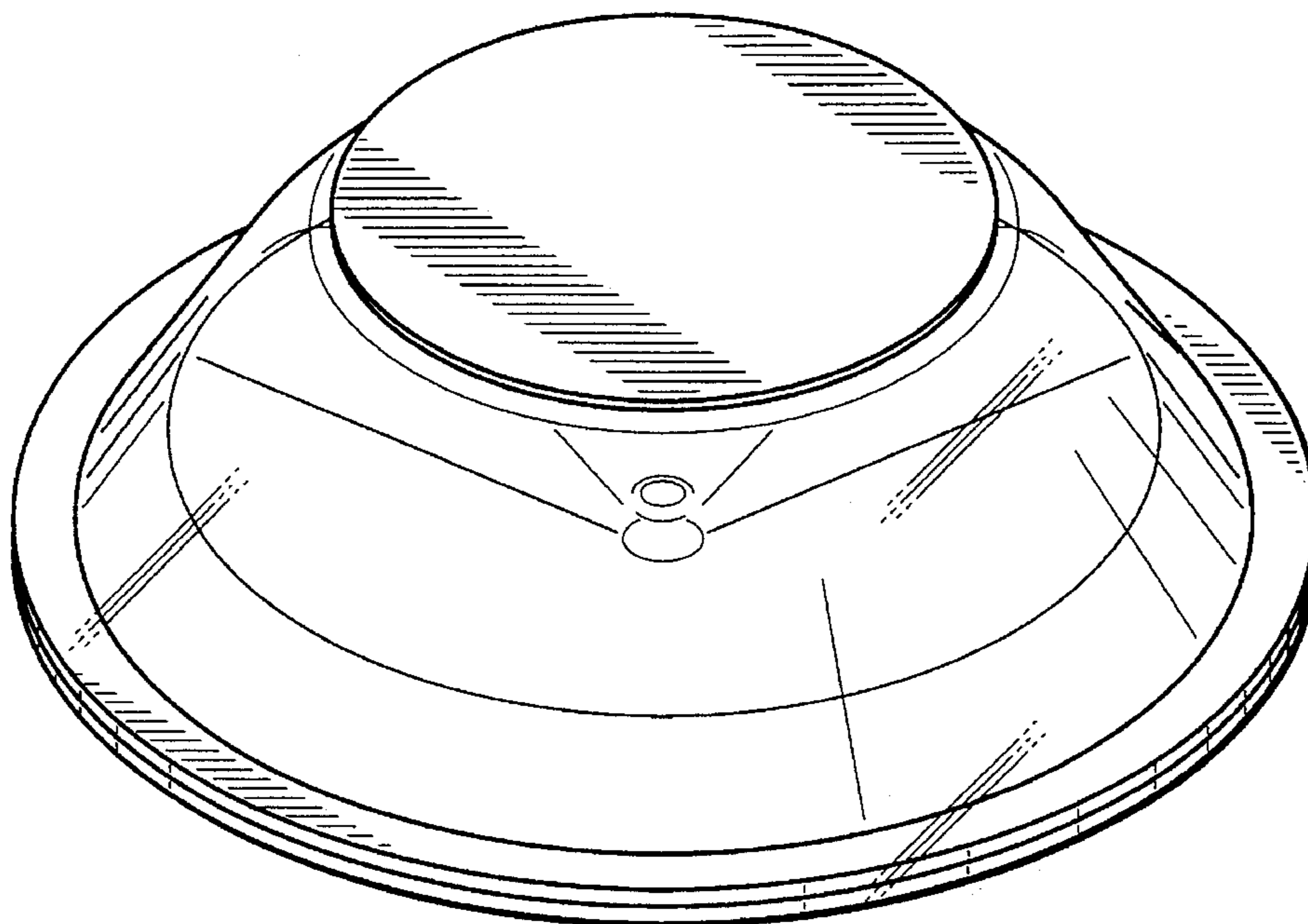
FIG. 10 is a bottom plan view thereof.

[56] **References Cited**

U.S. PATENT DOCUMENTS

D. 273,032	3/1984	Woodruff .	
D. 275,875	10/1984	Woodruff .	
D. 278,842	5/1985	Woodruff .	
D. 298,160	10/1988	Gatarz	D22/122
D. 306,197	2/1990	Demarest et al.	D22/122
D. 323,871	2/1992	Nitta	D22/122
D. 326,702	6/1992	Demarest .	
D. 326,890	6/1992	Mares .	
D. 329,681	9/1992	Demarest et al.	D22/122
D. 342,352	12/1993	Embrey	D22/122 X
1,540,621	6/1925	Hanson et al.	D22/122 X
1,797,743	3/1931	Wesson .	
1,856,200	5/1932	Tippey	43/131
1,887,771	11/1932	Marsh	43/131
2,710,485	6/1955	Starr	43/131
4,173,093	11/1979	Nakai	43/121
4,263,740	4/1981	Hemsarh et al.	43/114
4,423,564	1/1984	Davies et al.	43/121

1 Claim, 4 Drawing Sheets



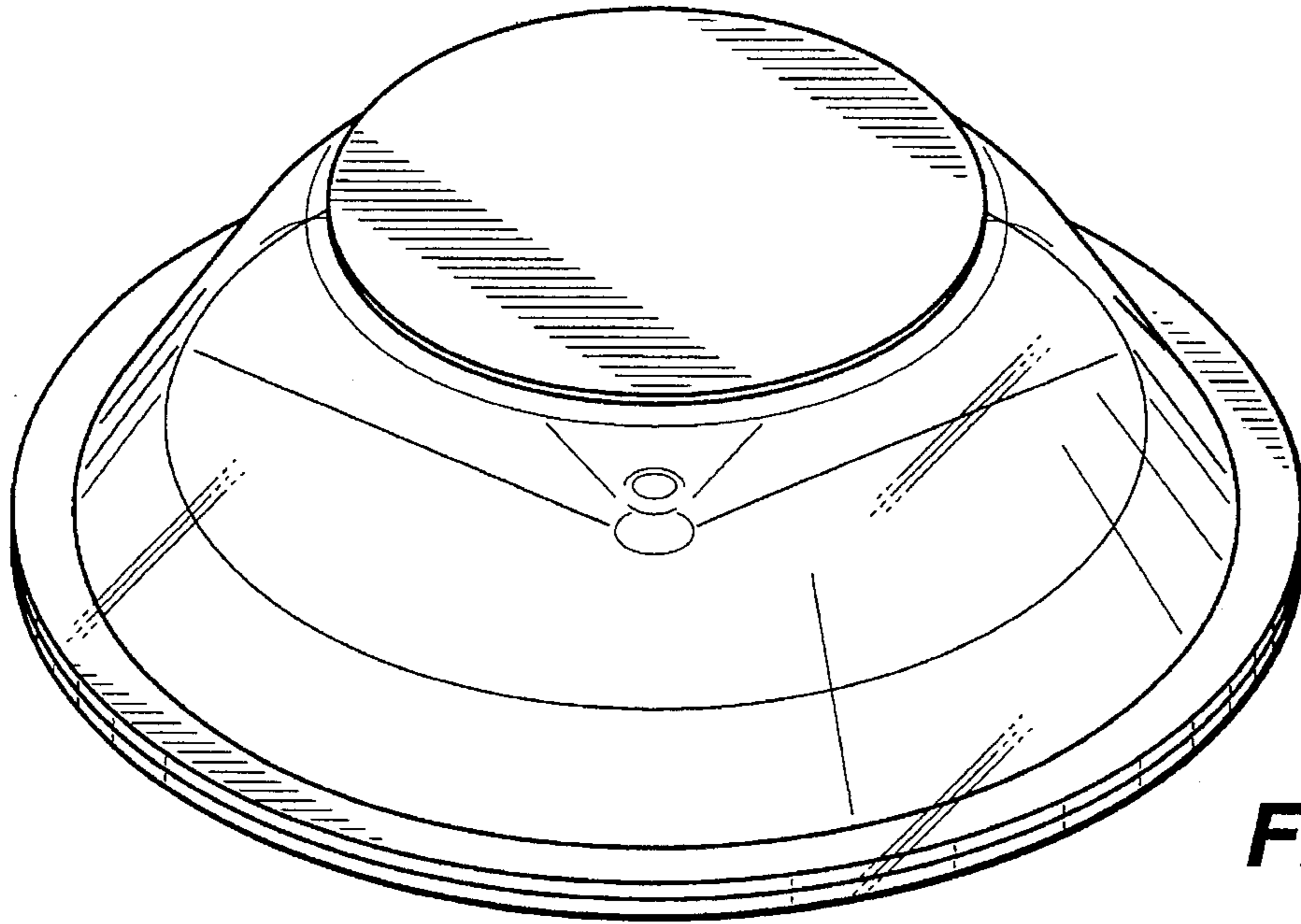


FIG._1

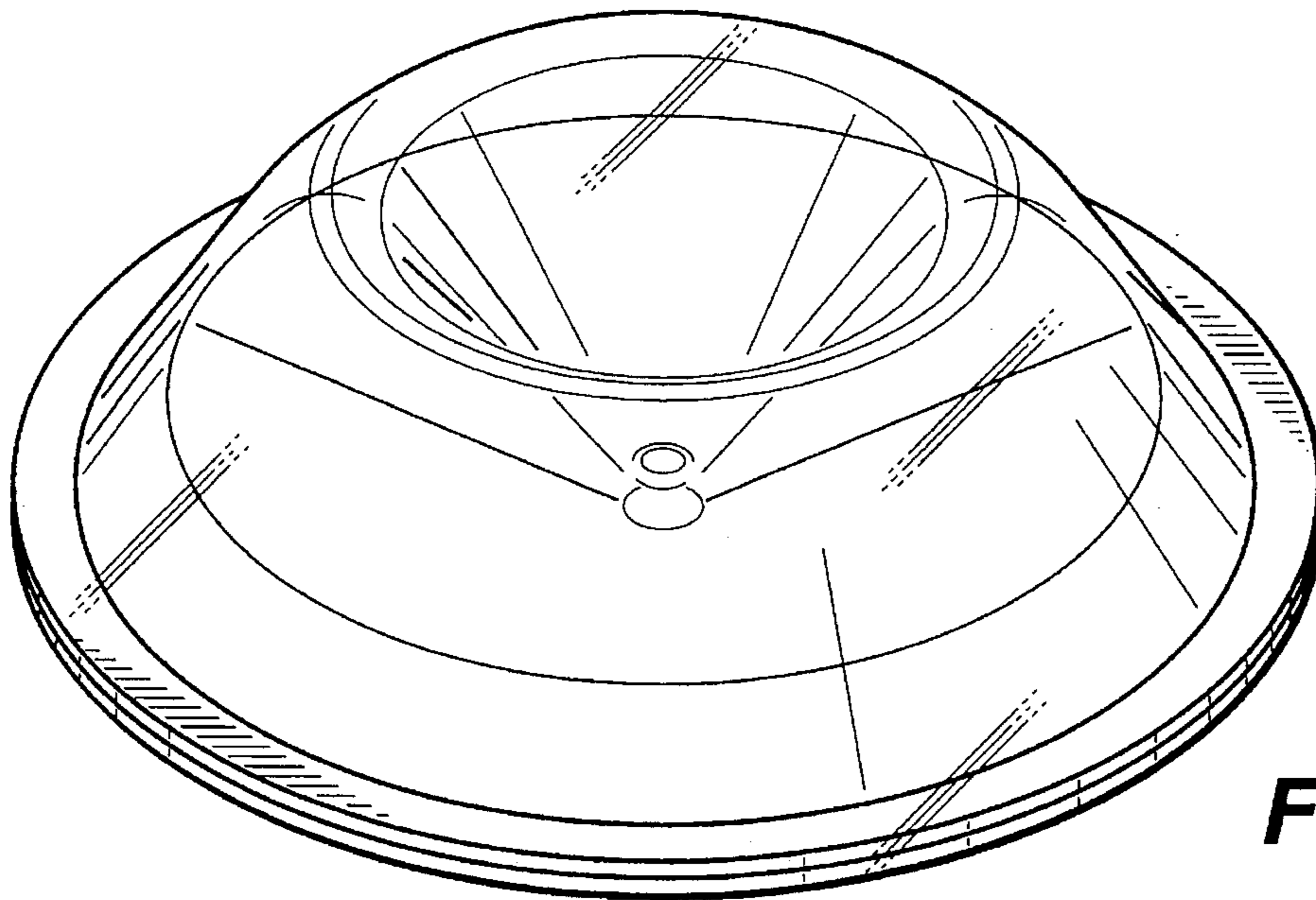


FIG._2

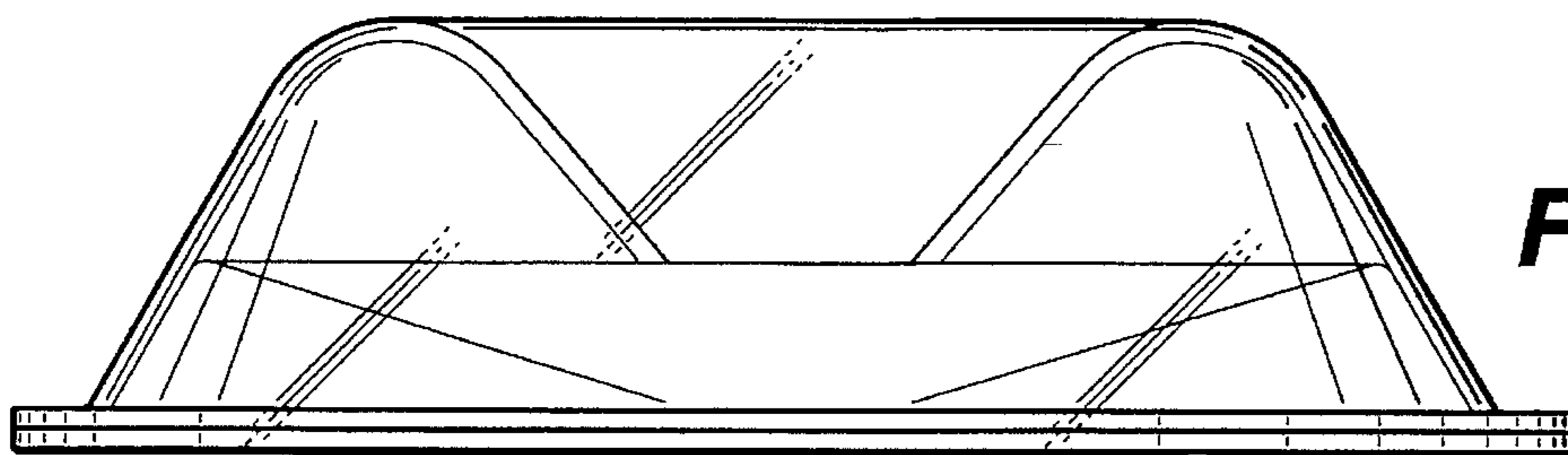


FIG._3

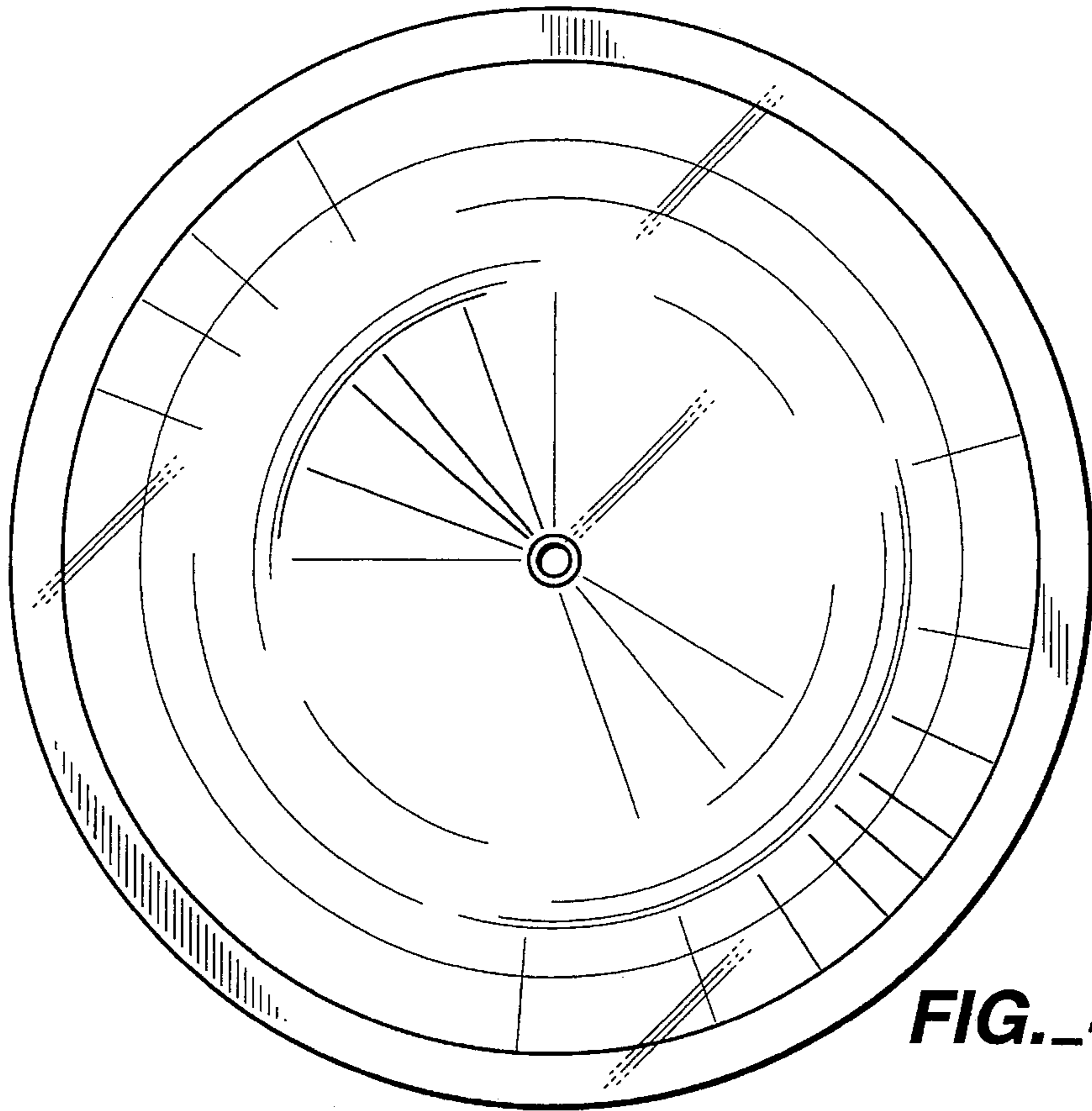


FIG. 4

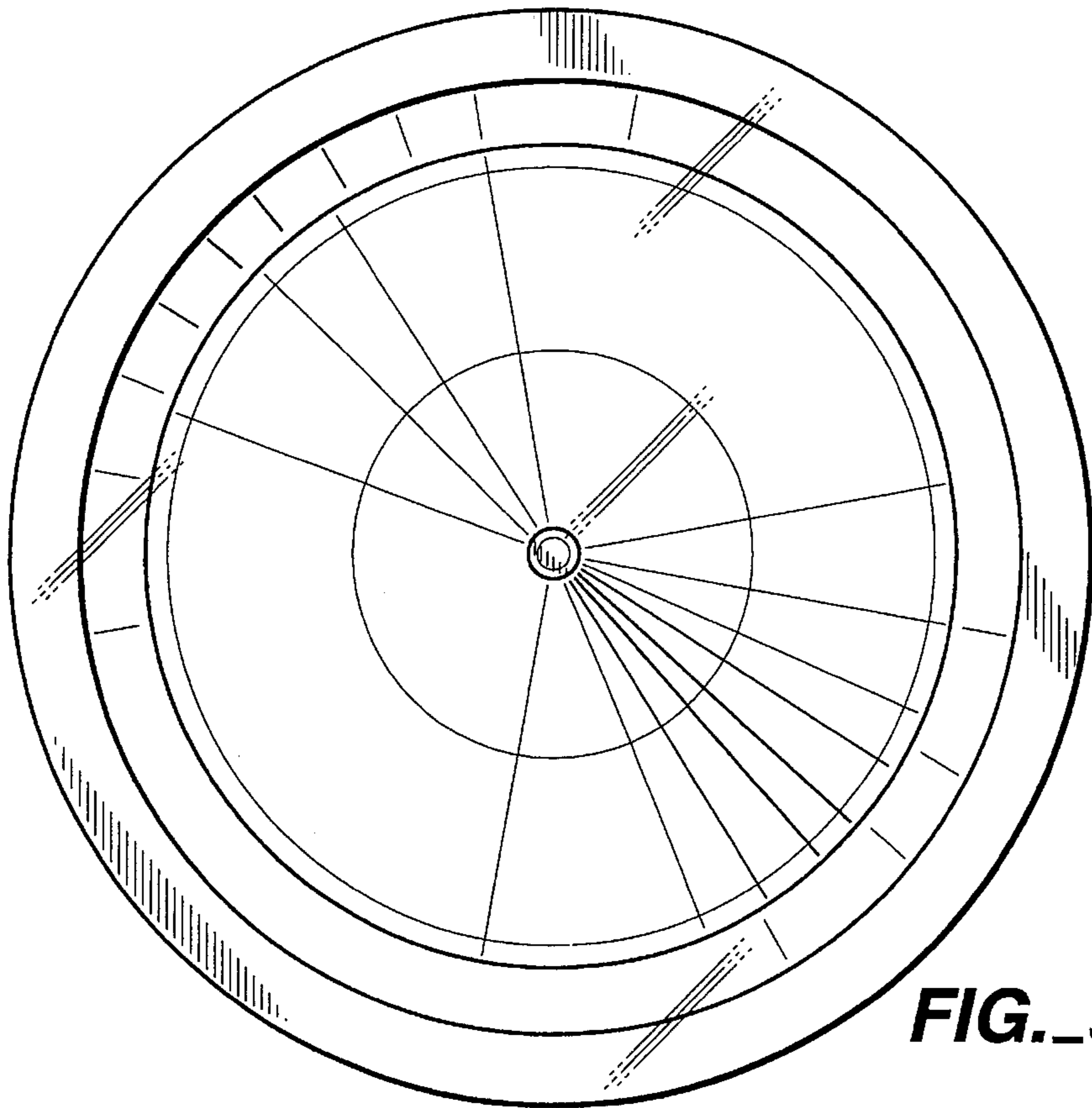


FIG. 5

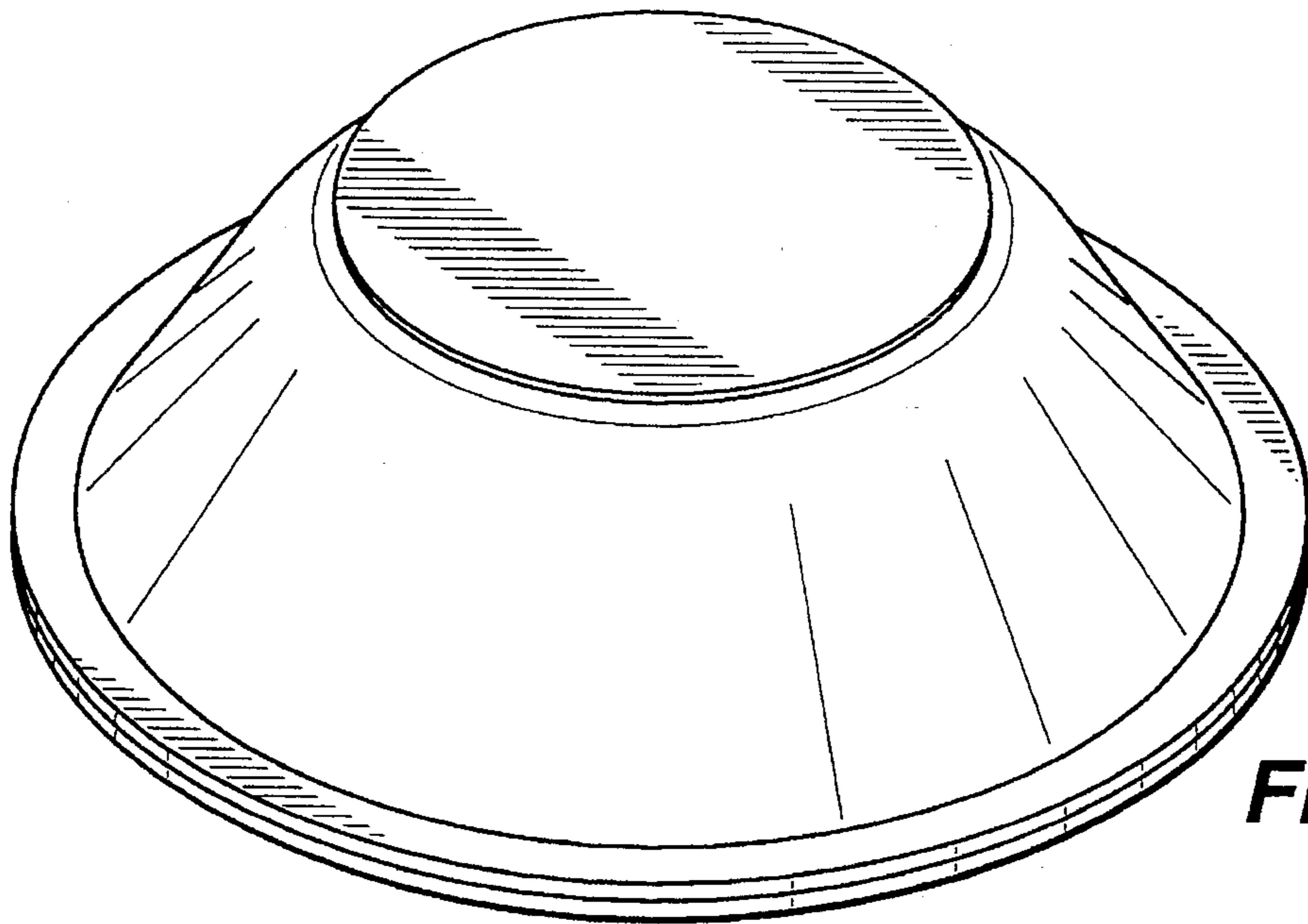


FIG._6

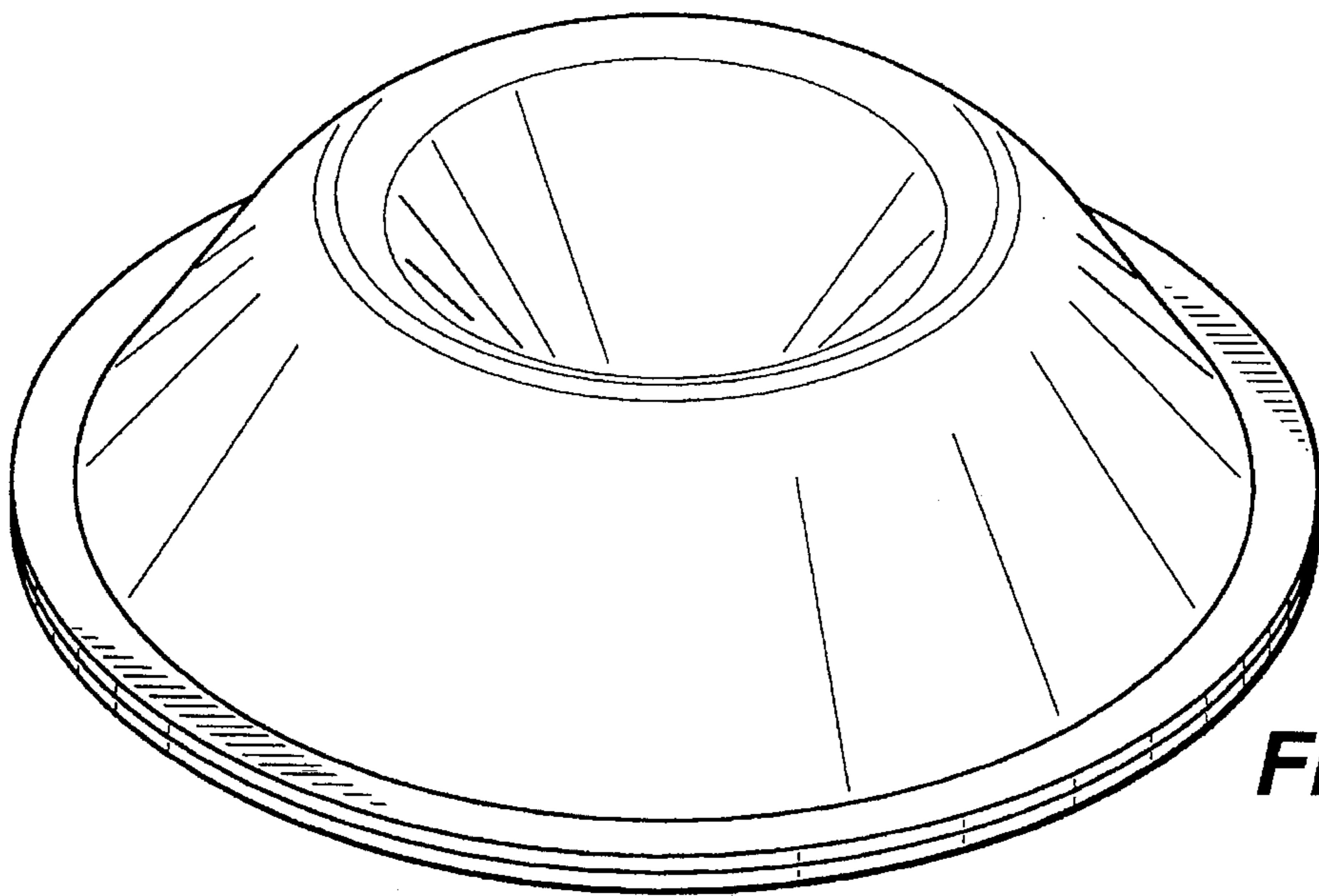


FIG._7

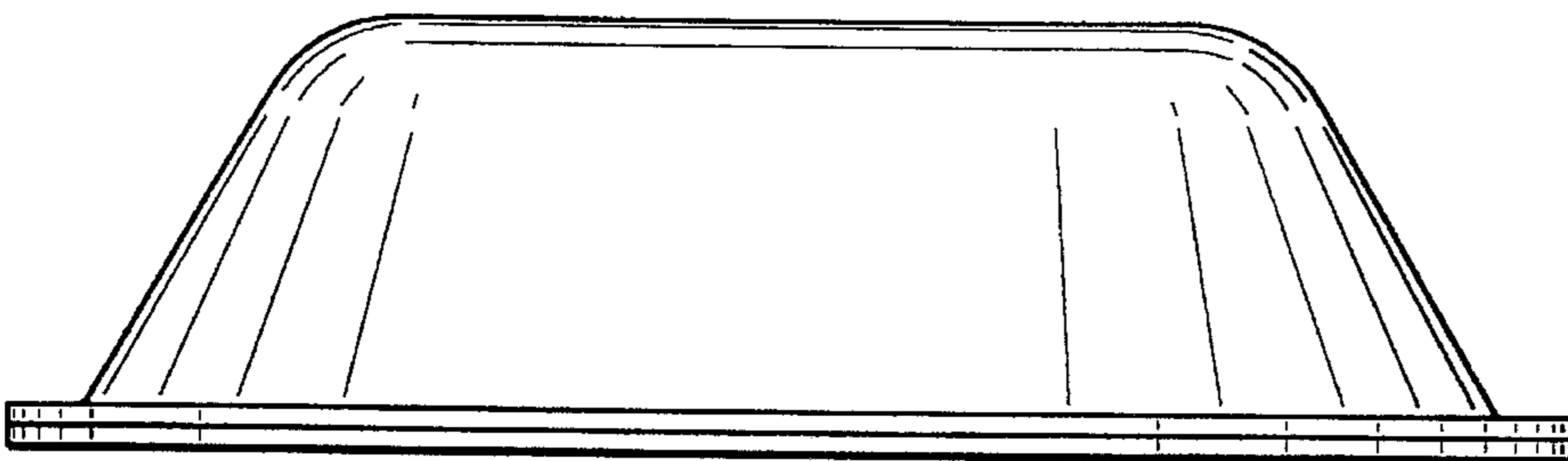


FIG._8

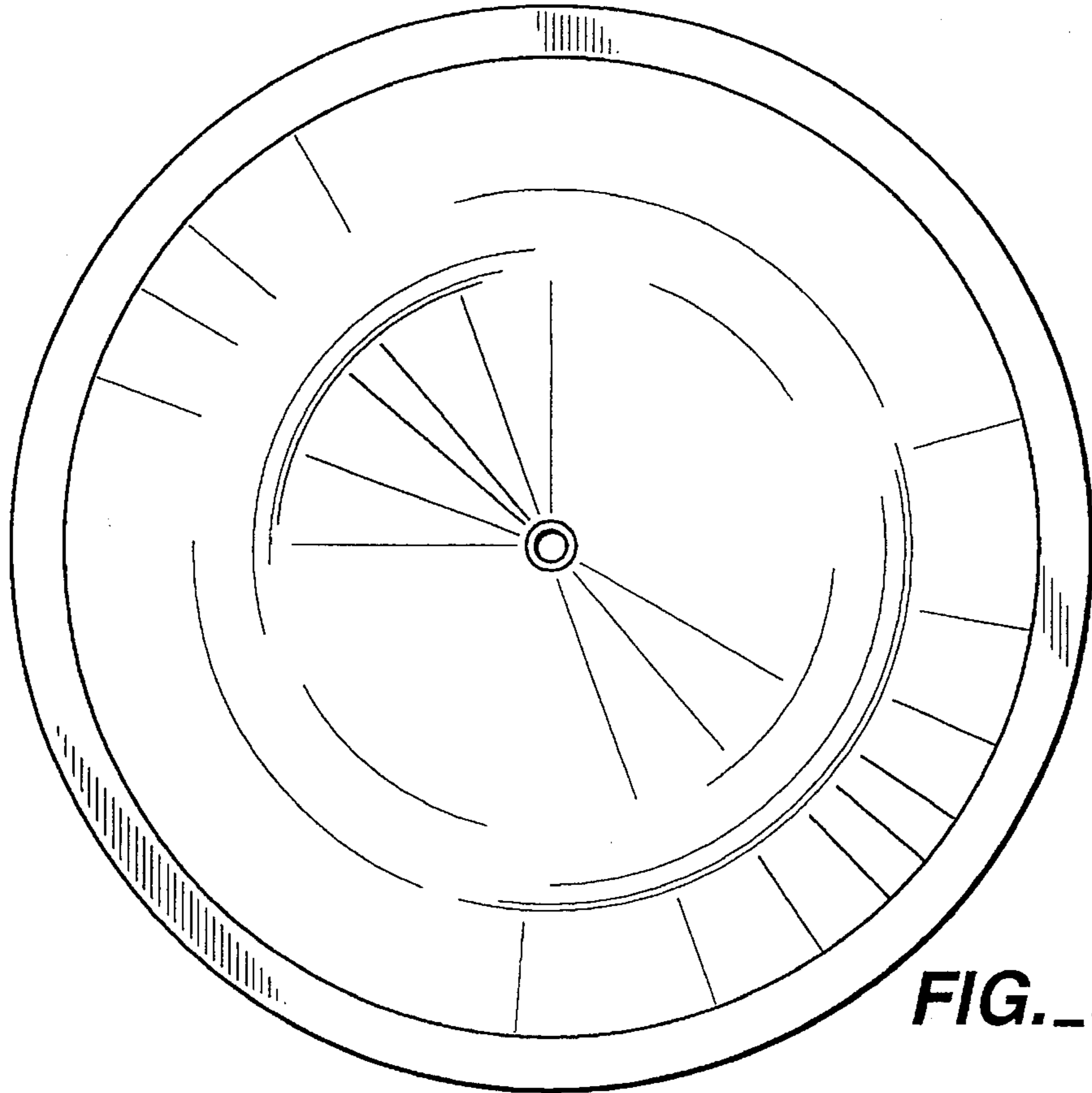


FIG. 9

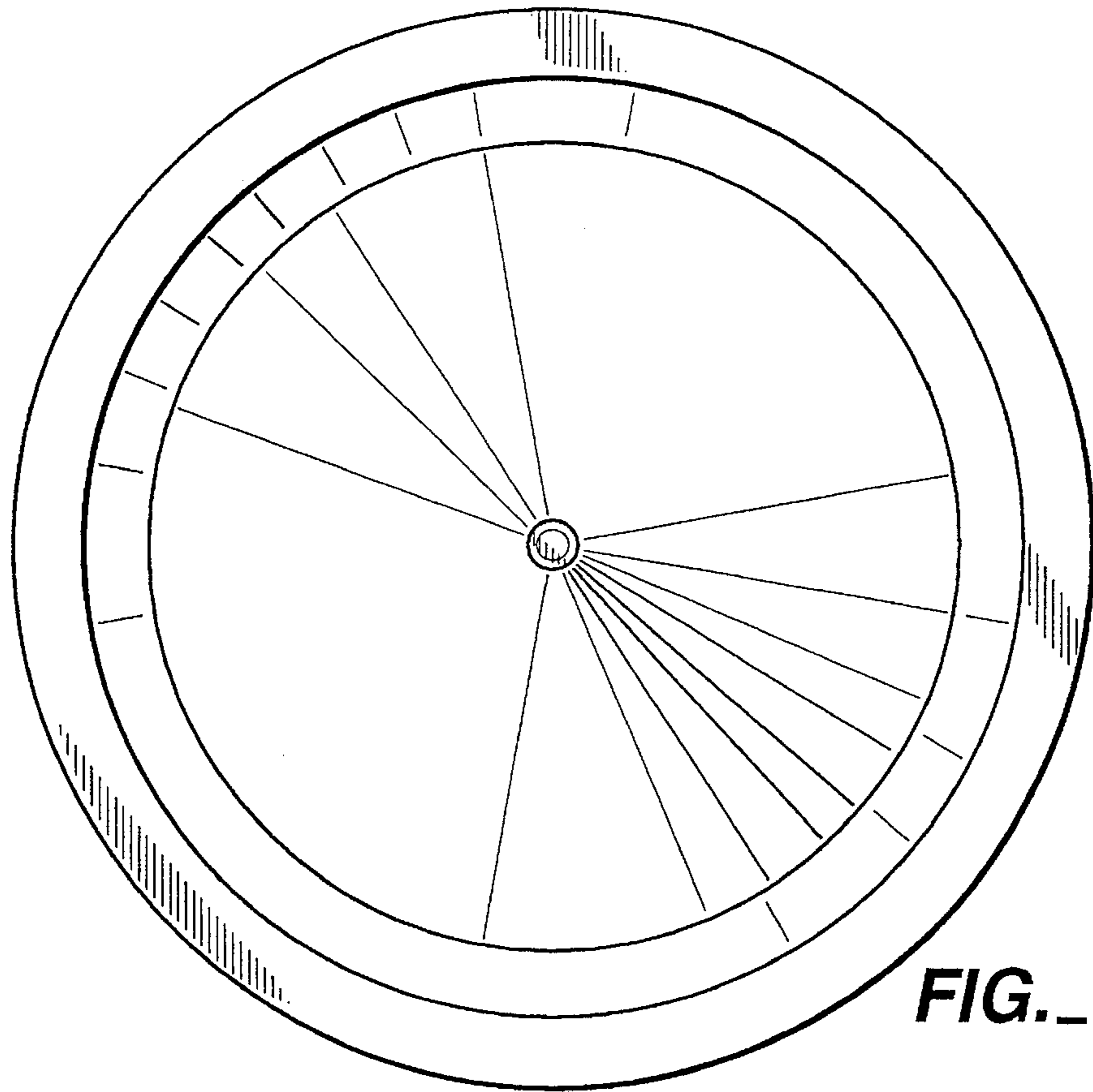


FIG. 10