



US00D377960S

# United States Patent [19]

[11] Patent Number: **Des. 377,960**

Wood

[45] Date of Patent: **\*\*Feb. 11, 1997**

[54] **TWIN TUBE BIRD SCARER**

[75] Inventor: **Colin Wood**, New Milton, England

[73] Assignee: **Haddenham Limited**, Hong Kong

[\*\*] Term: **14 Years**

[21] Appl. No.: **28,220**

[22] Filed: **Sep. 9, 1994**

[52] U.S. Cl. .... **D22/120**

[58] Field of Search ..... D22/119, 120,  
D22/125; D10/116; 43/1, 58; 116/22 A;  
52/101

5,261,179 11/1993 Schwinler ..... 43/1  
 5,353,543 10/1994 Teraoka ..... 43/1  
 5,433,029 7/1995 Donoho et al. .... 43/1

*Primary Examiner*—Doris V. Coles  
*Attorney, Agent, or Firm*—Haverstock & Associates

### [57] CLAIM

The ornamental design for a twin tube bird scarer, as shown and described.

### DESCRIPTION

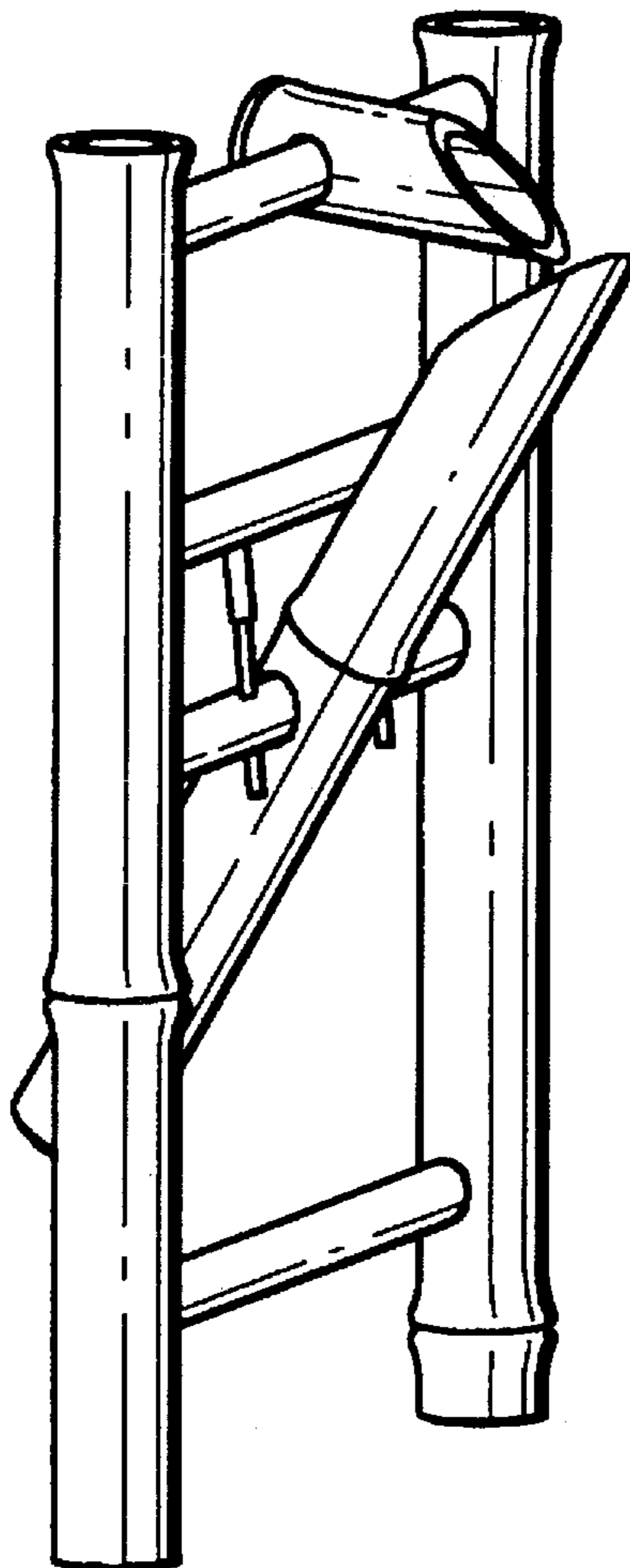
FIG. 1 is a front elevational view of a twin tube bird scarer showing my new design;  
 FIG. 2 is a rear elevational view thereof;  
 FIG. 3 is a top plan view thereof;  
 FIG. 4 is a bottom plan view thereof;  
 FIG. 5 is a right side elevational view thereof;  
 FIG. 6 is a left side elevational view thereof; and,  
 FIG. 7 is a perspective view thereof.

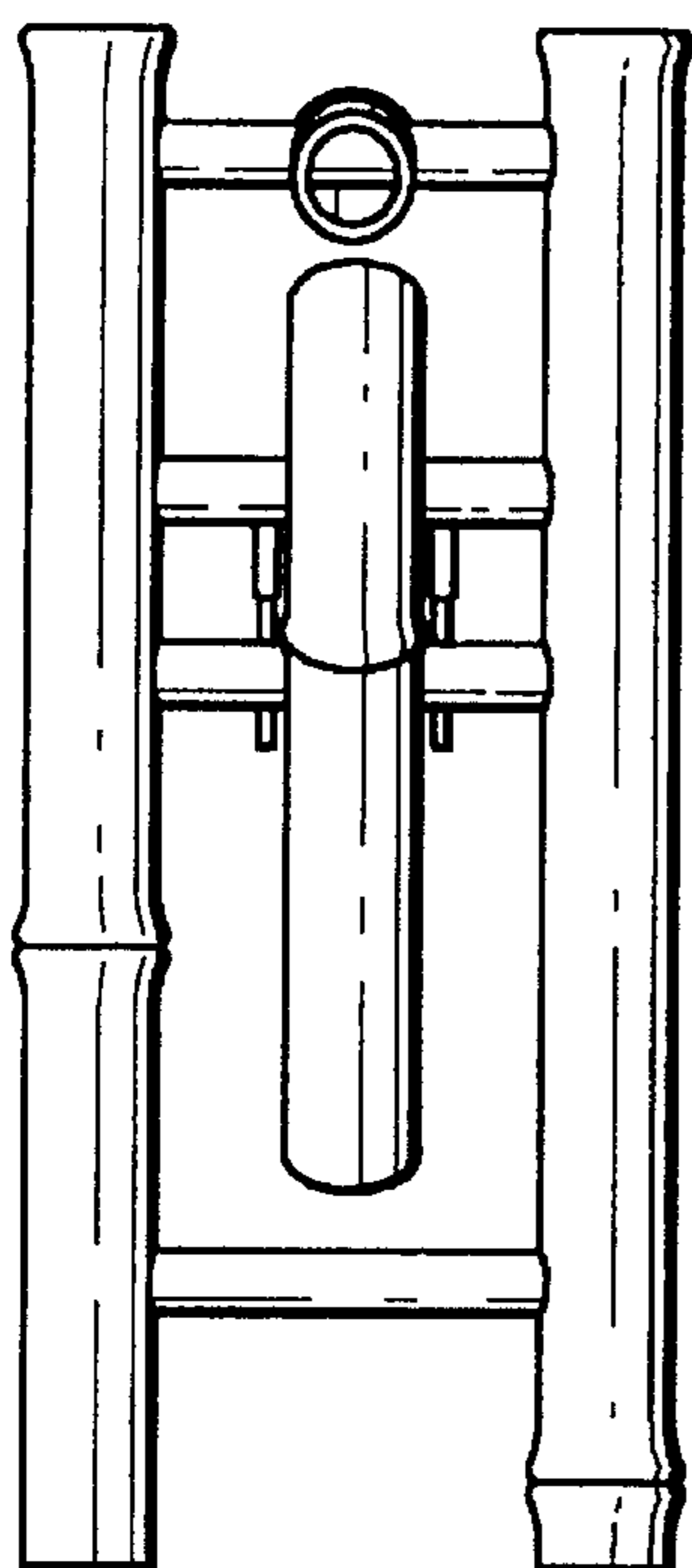
### [56] References Cited

#### U.S. PATENT DOCUMENTS

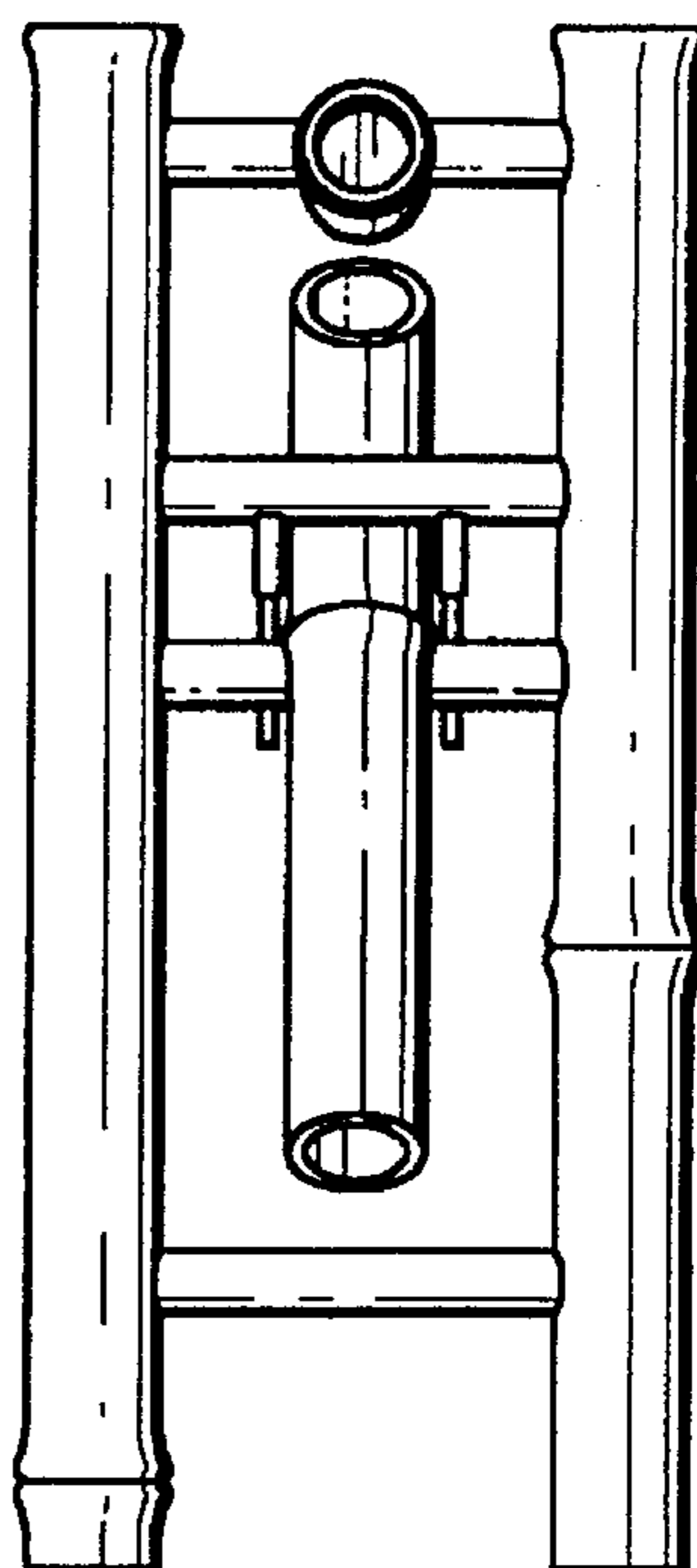
4,074,653	2/1978	Pember	116/22 A
4,144,832	3/1979	Dahl	116/22 A
4,598,660	7/1986	Konzak	116/22 A
4,656,770	4/1987	Nuttle	43/1
5,181,338	1/1993	Chatten	43/58

**1 Claim, 2 Drawing Sheets**

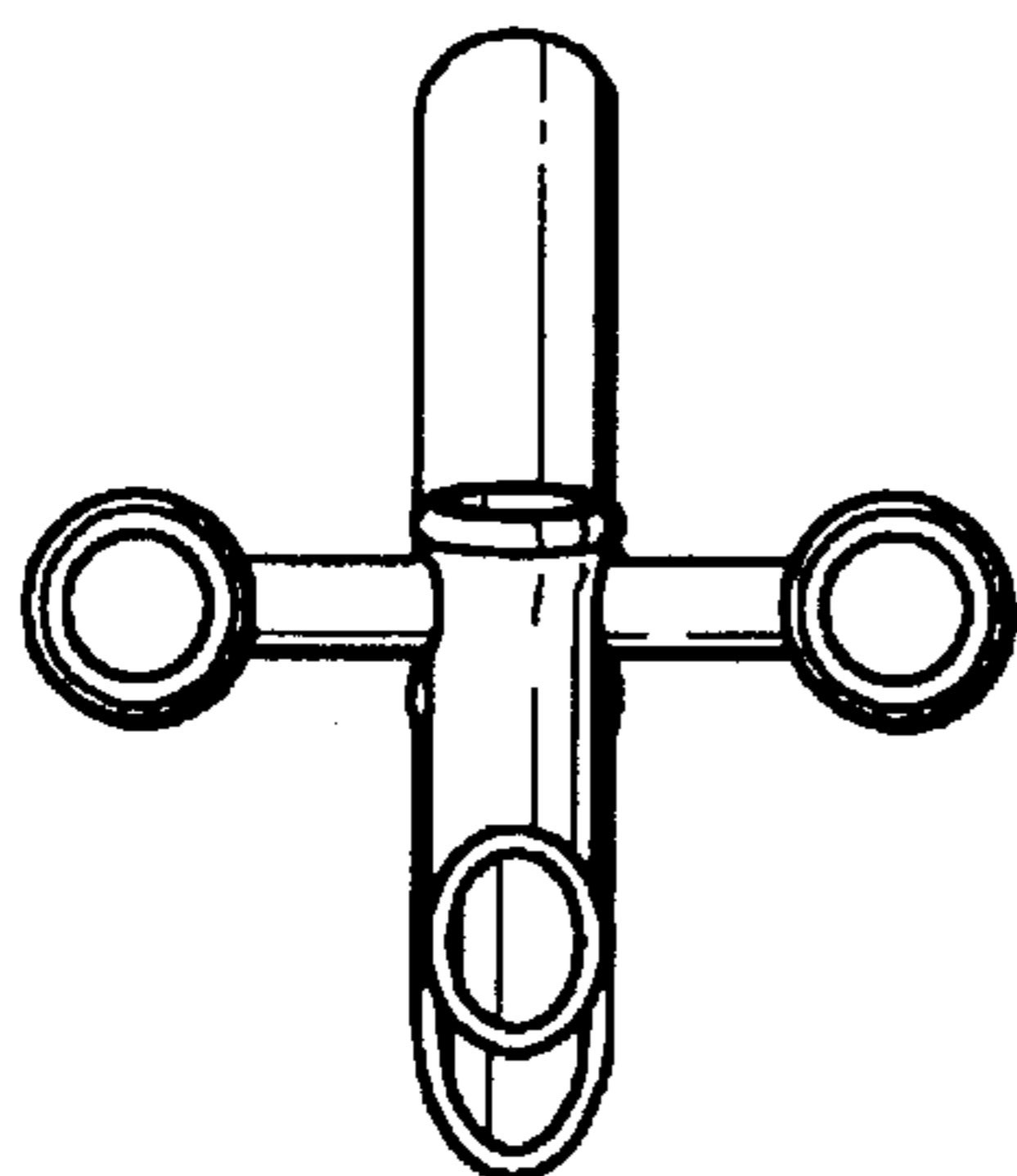




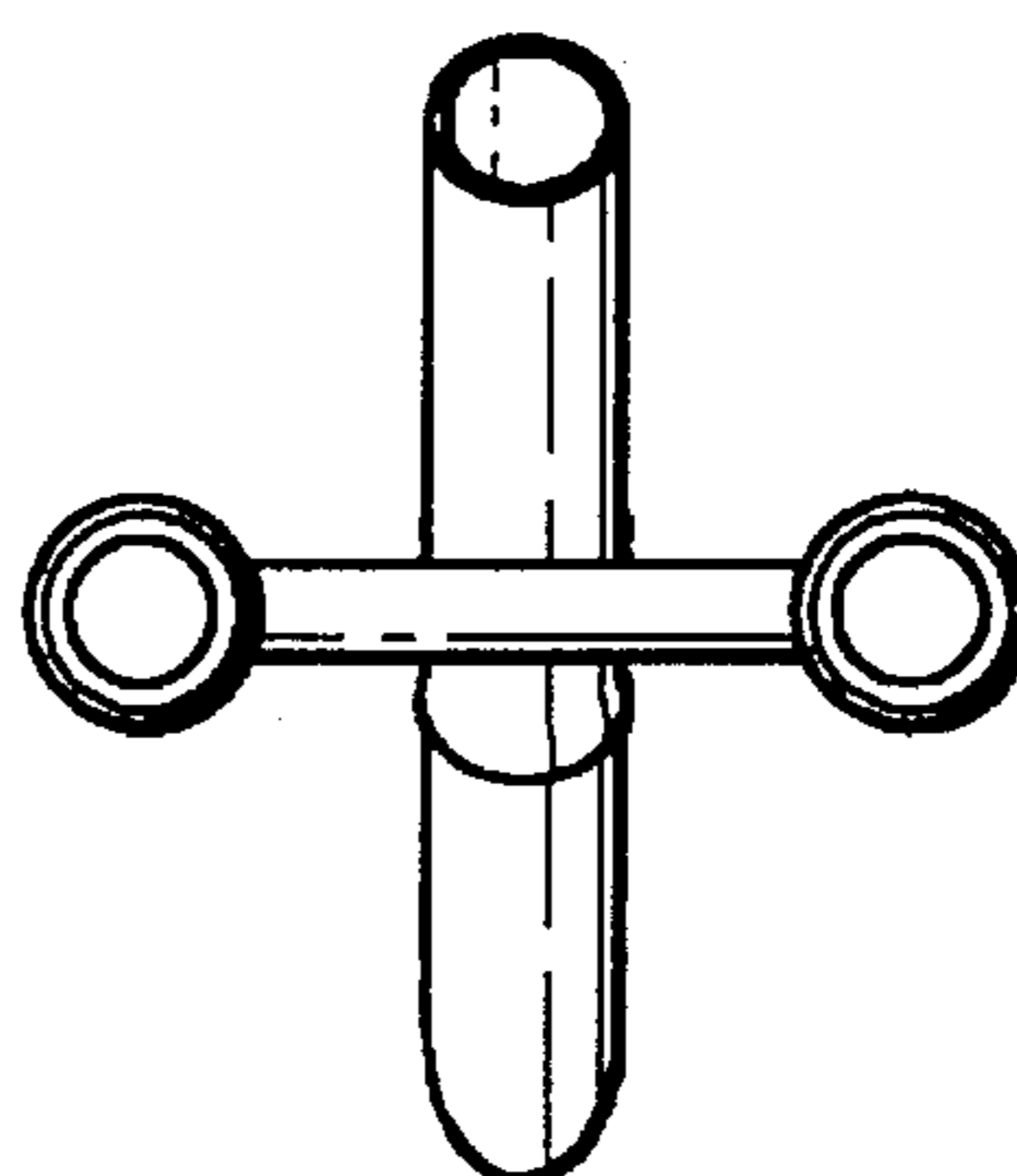
**FIG. 1**



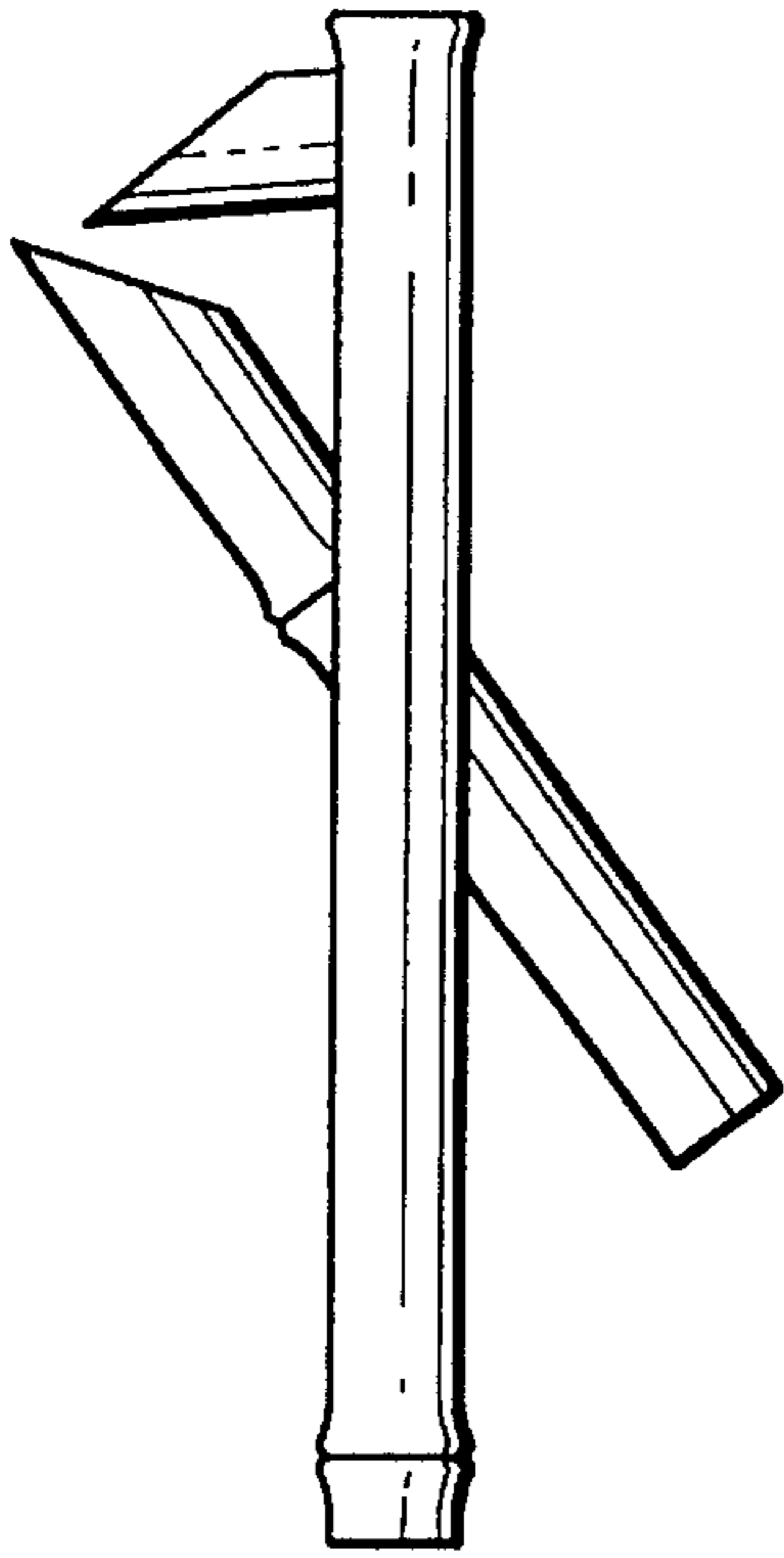
**FIG. 2**



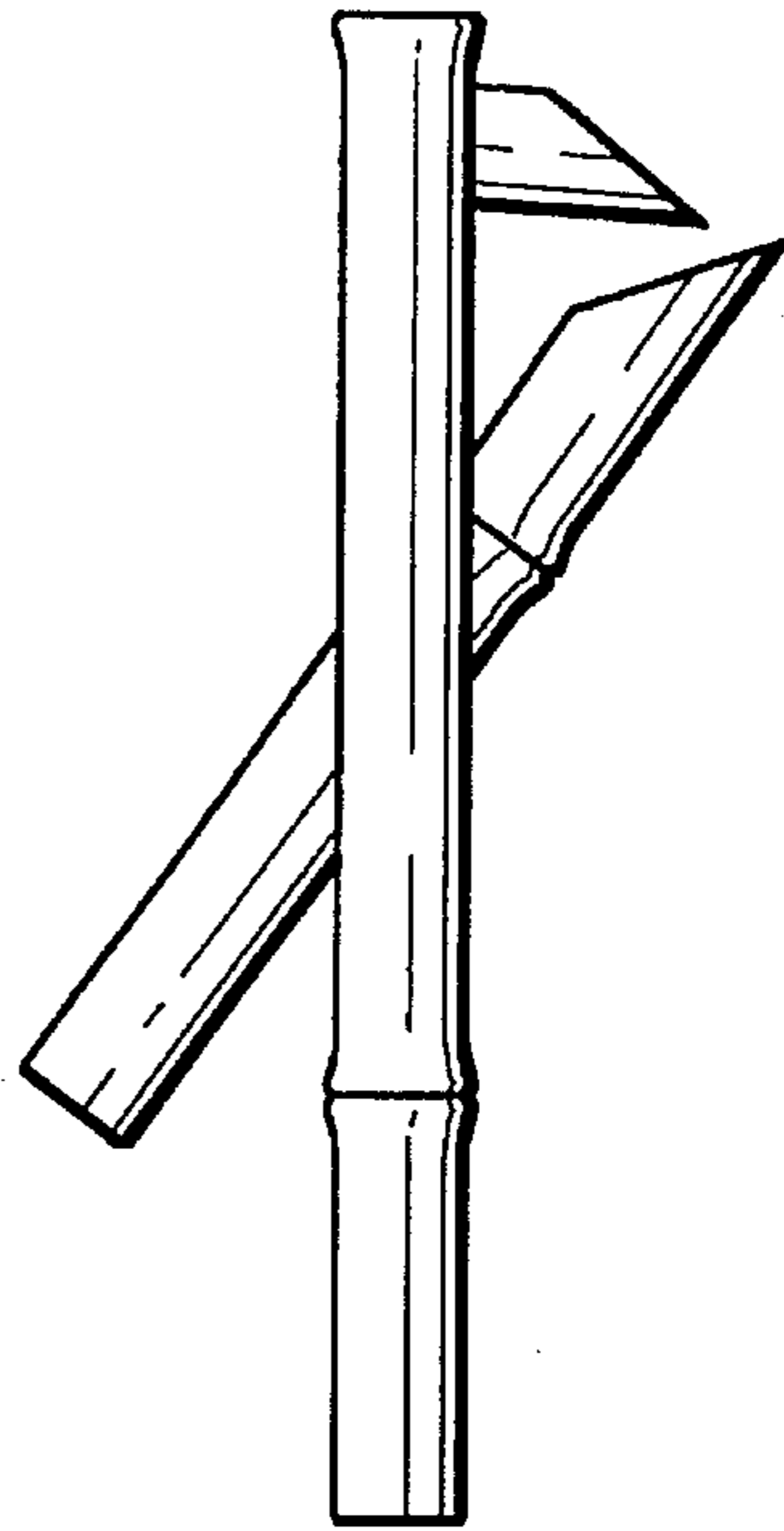
**FIG. 3**



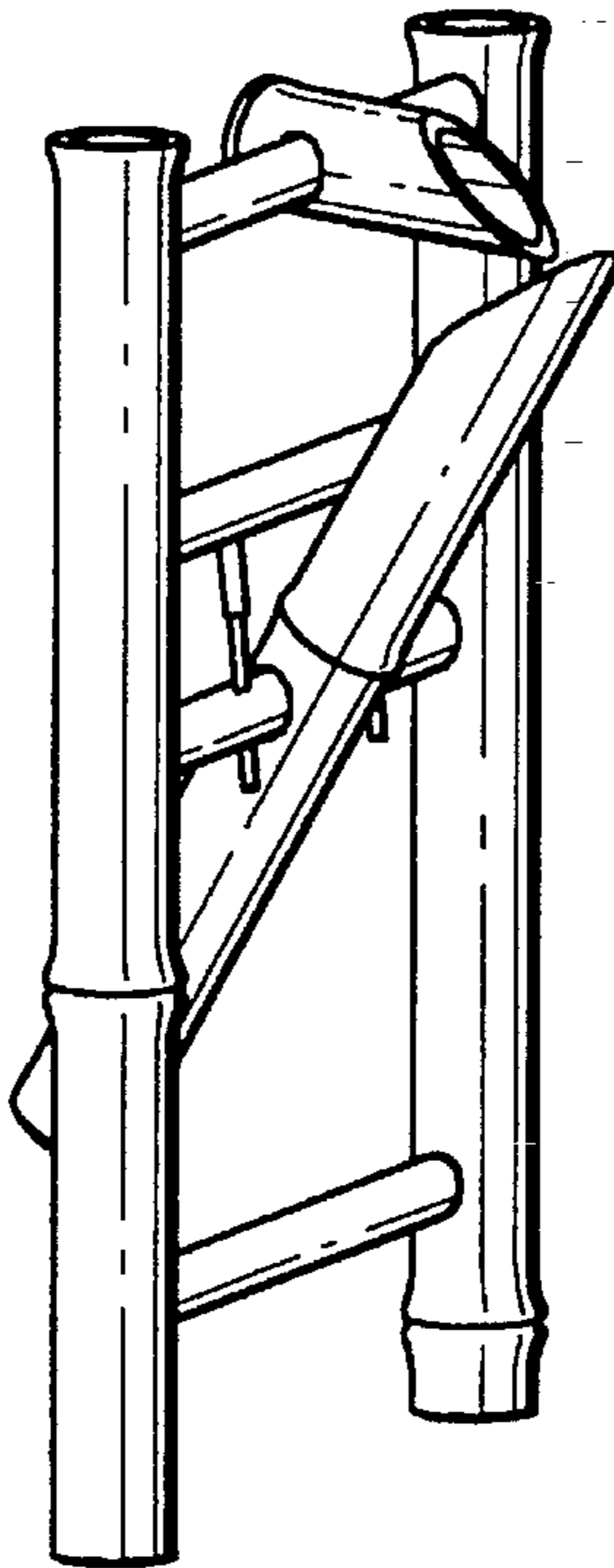
**FIG. 4**



**FIG. 5**



**FIG. 6**



**FIG. 7**

UNITED STATES PATENT AND TRADEMARK OFFICE  
**CERTIFICATE OF CORRECTION**

PATENT NO.: Des. 377,960

DATED: February 11, 1997

INVENTOR(S): Colin Wood

It is certified that error appears in the above-identified patent and that said Letters Patent is hereby correct as shown below:

Title page, DESCRIPTION section, line 7, delete "," following "and".

Signed and Sealed this

Twenty-second Day of April, 1997



*Attest:*

BRUCE LEHMAN

*Commissioner of Patents and Trademarks*

*Attesting Officer*