



US00D377956S

United States Patent [19]

[11] Patent Number: **Des. 377,956**

Chuang

[45] Date of Patent: ****Feb. 11, 1997**

[54] TOY CAR

4,655,727	4/1987	Swisher et al.	446/470
5,292,275	3/1994	Swisher et al.	446/471
5,372,534	12/1994	Levy et al.	446/470

[76] Inventor: **Chuan-Tien Chuang**, No. 40, Lane 174, Da-Shing Street, Tainan, Taiwan

[**] Term: **14 Years**

Primary Examiner—Raphael Barkai
Attorney, Agent, or Firm—Bacon & Thomas

[21] Appl. No.: **51,517**

[57] CLAIM

[22] Filed: **Mar. 12, 1996**

The ornamental design for the toy car, as shown and described.

[52] U.S. Cl. **D21/137**

[58] Field of Search D21/71-81, 128, D21/131, 132-140; D12/87, 88; 446/470, 471, 440, 76, 78, 80, 313, 426, 428, 454; 280/87.021, 87.01, 1.22, 1.13, 827, 828

DESCRIPTION

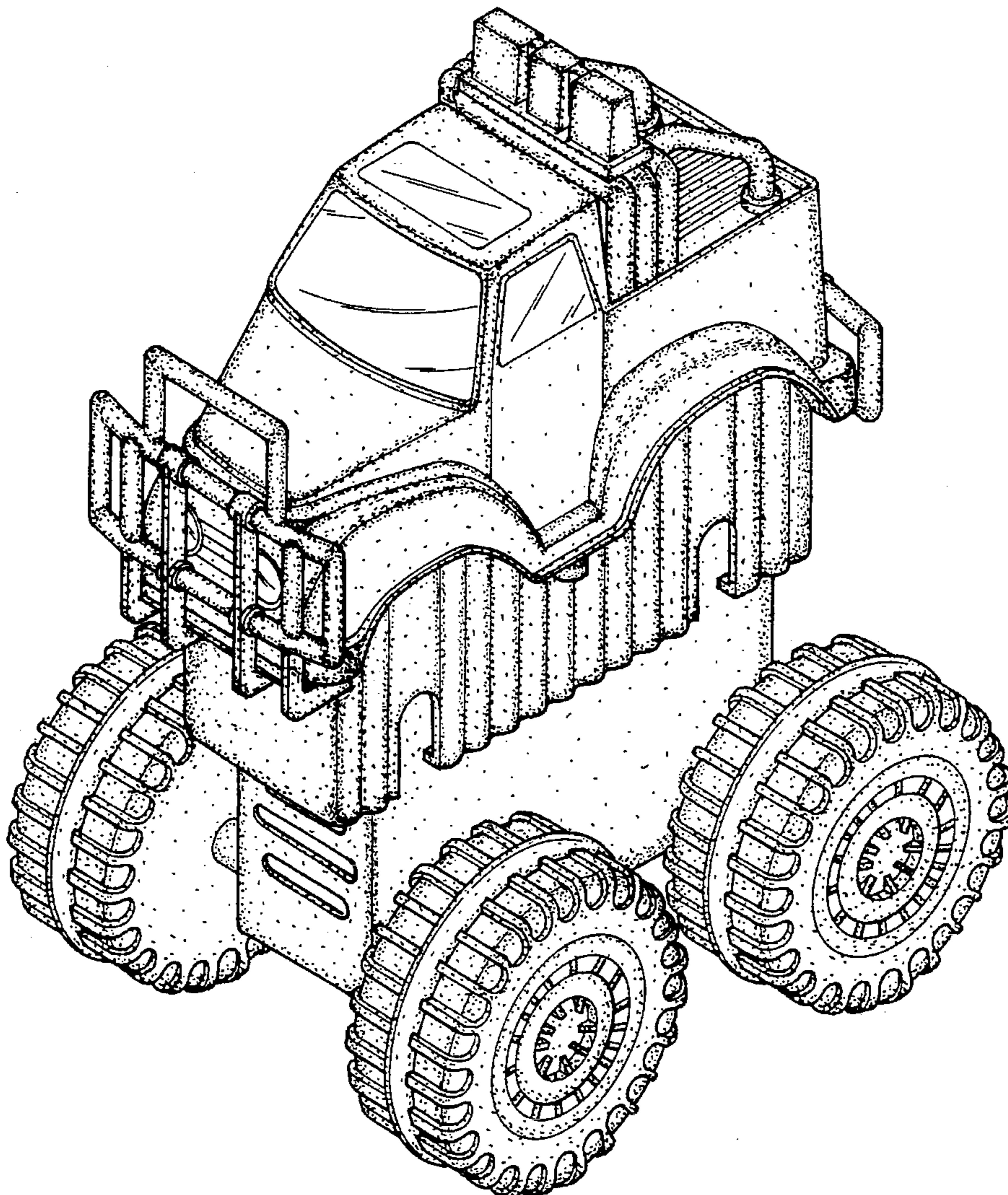
[56] References Cited

U.S. PATENT DOCUMENTS

D. 275,873	10/1984	Manning et al.	D21/140
D. 277,494	2/1985	Lerch	D21/134
D. 280,000	10/1985	Kuna et al.	D21/137
D. 312,488	11/1990	Kwan	D21/134
D. 342,977	1/1994	Appel	D21/131

FIG. 1 is a top, front right side perspective view of a toy car showing my new design;
FIG. 2 is a front elevational view;
FIG. 3 is a rear elevational view;
FIG. 4 is a right side elevational view;
FIG. 5 is a left side elevational view;
FIG. 6 is a top plan view; and,
FIG. 7 is a bottom plan view thereof.

1 Claim, 7 Drawing Sheets



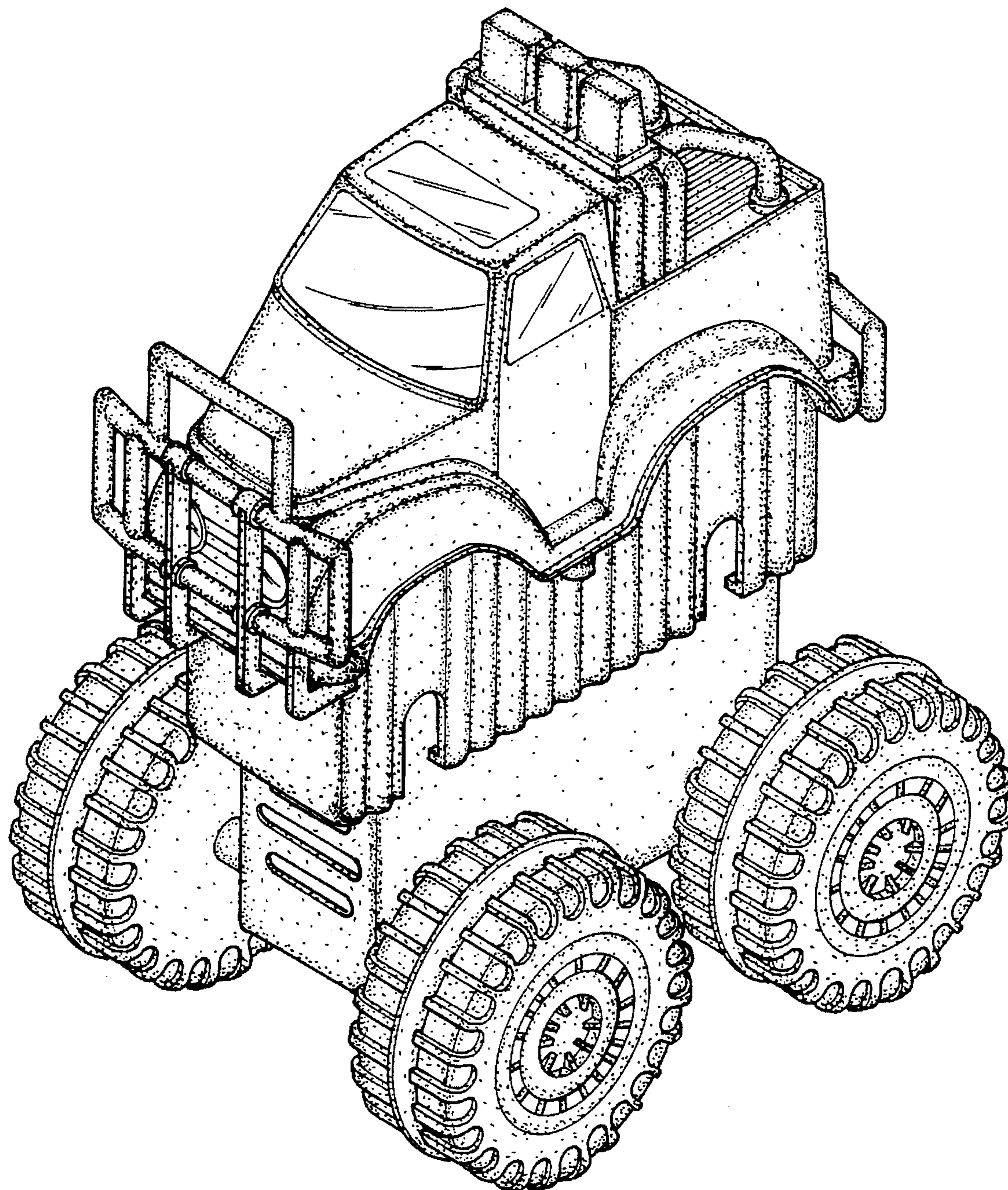


FIG. 1

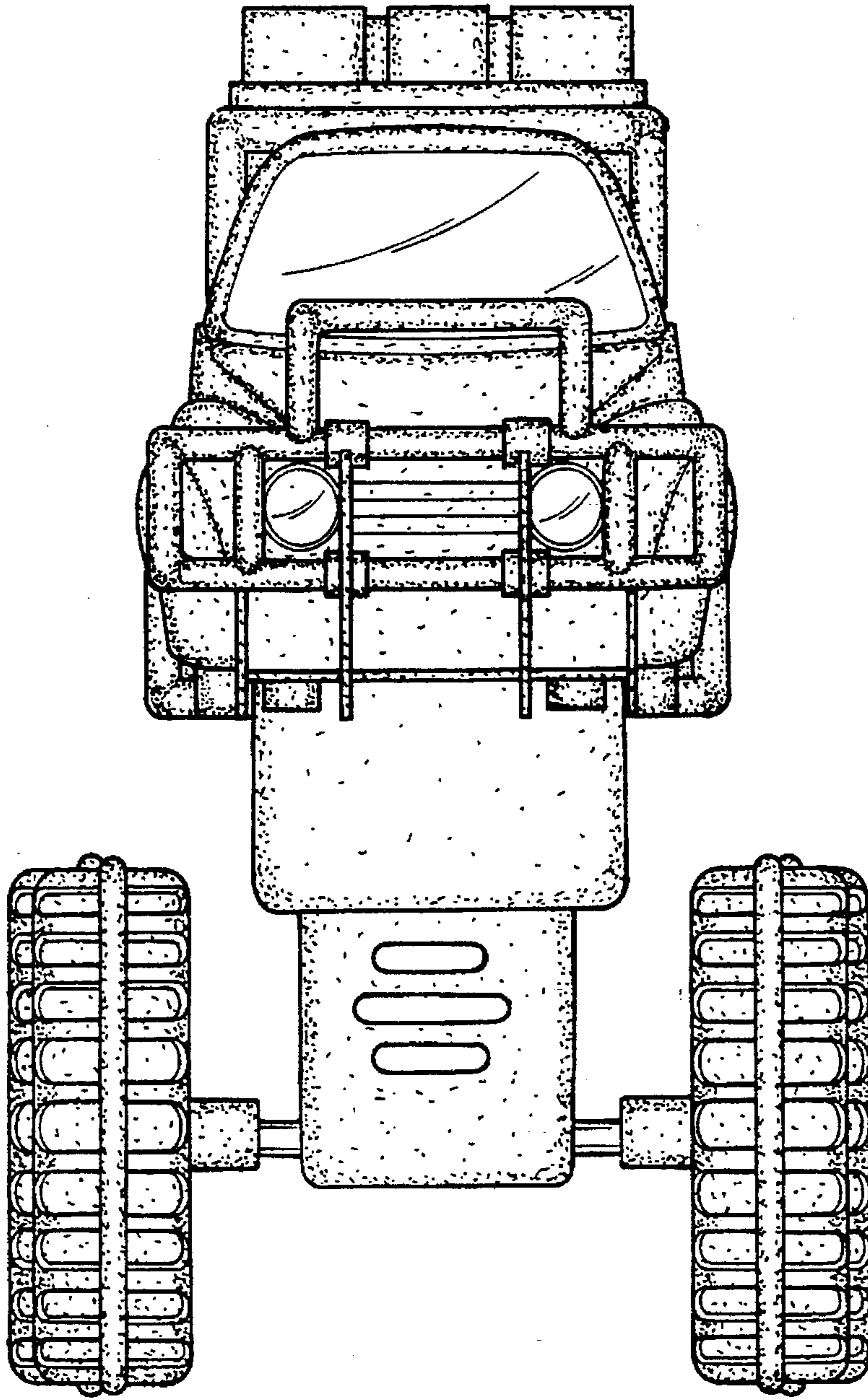


FIG. 2

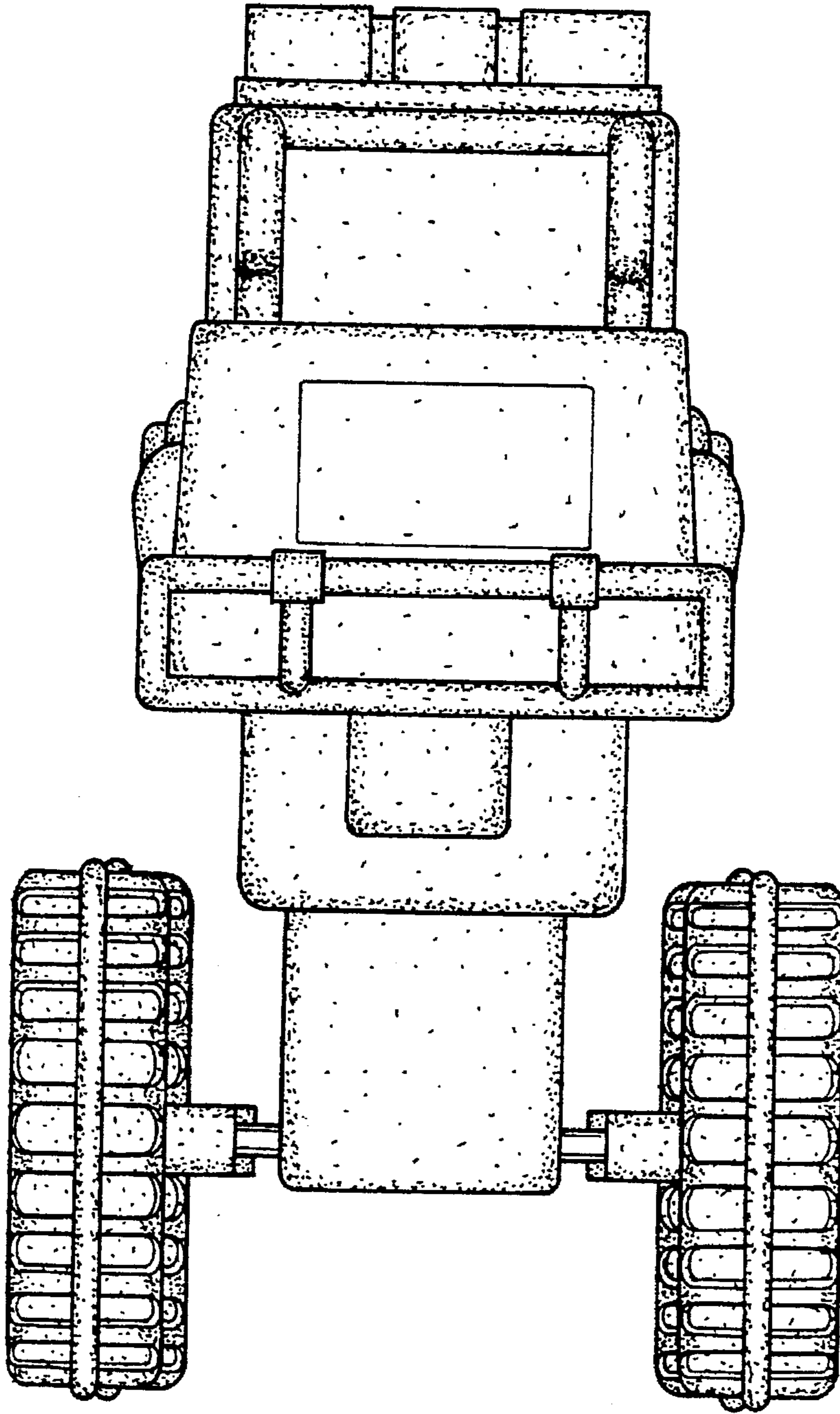


FIG. 3

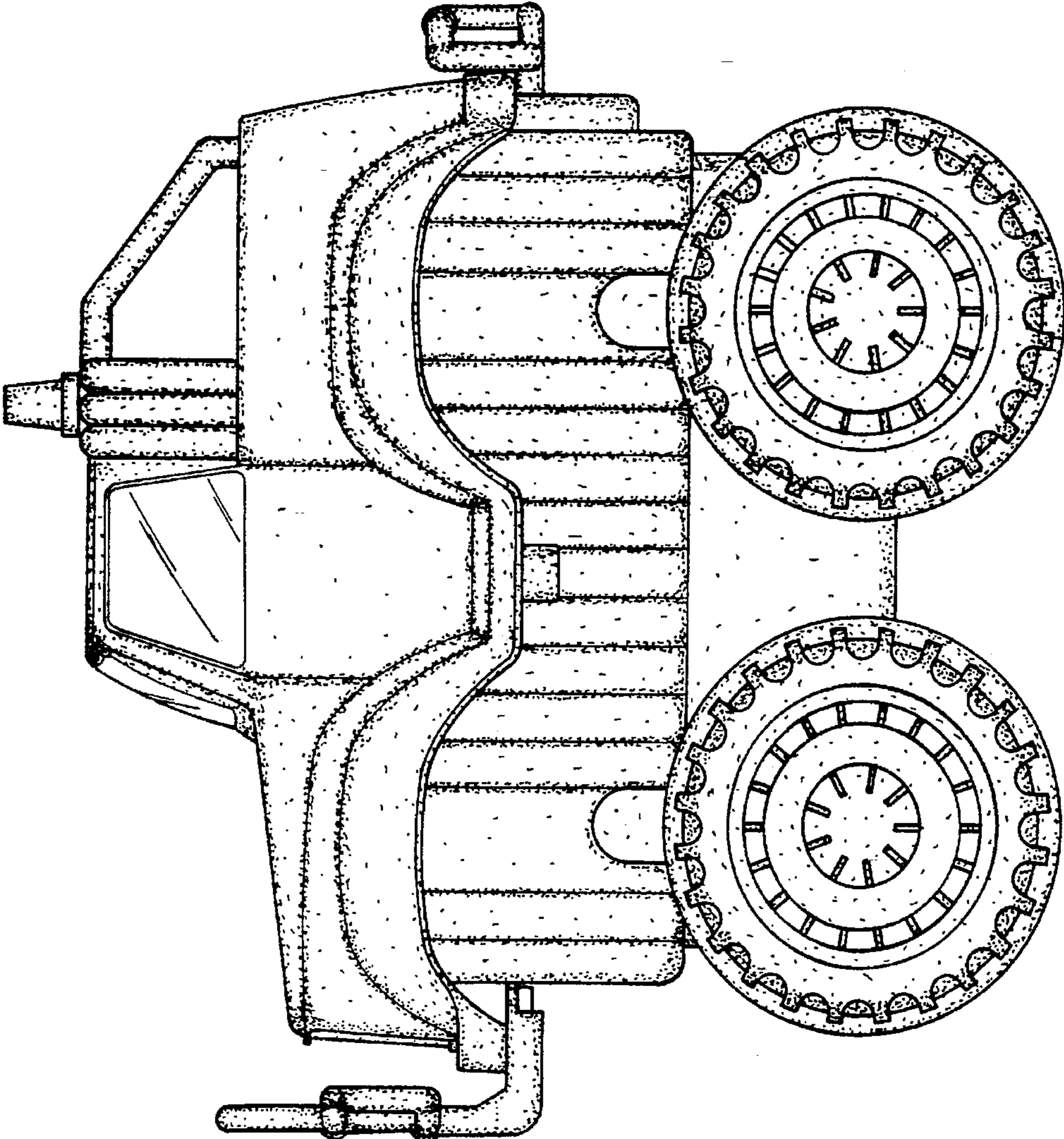


FIG. 4

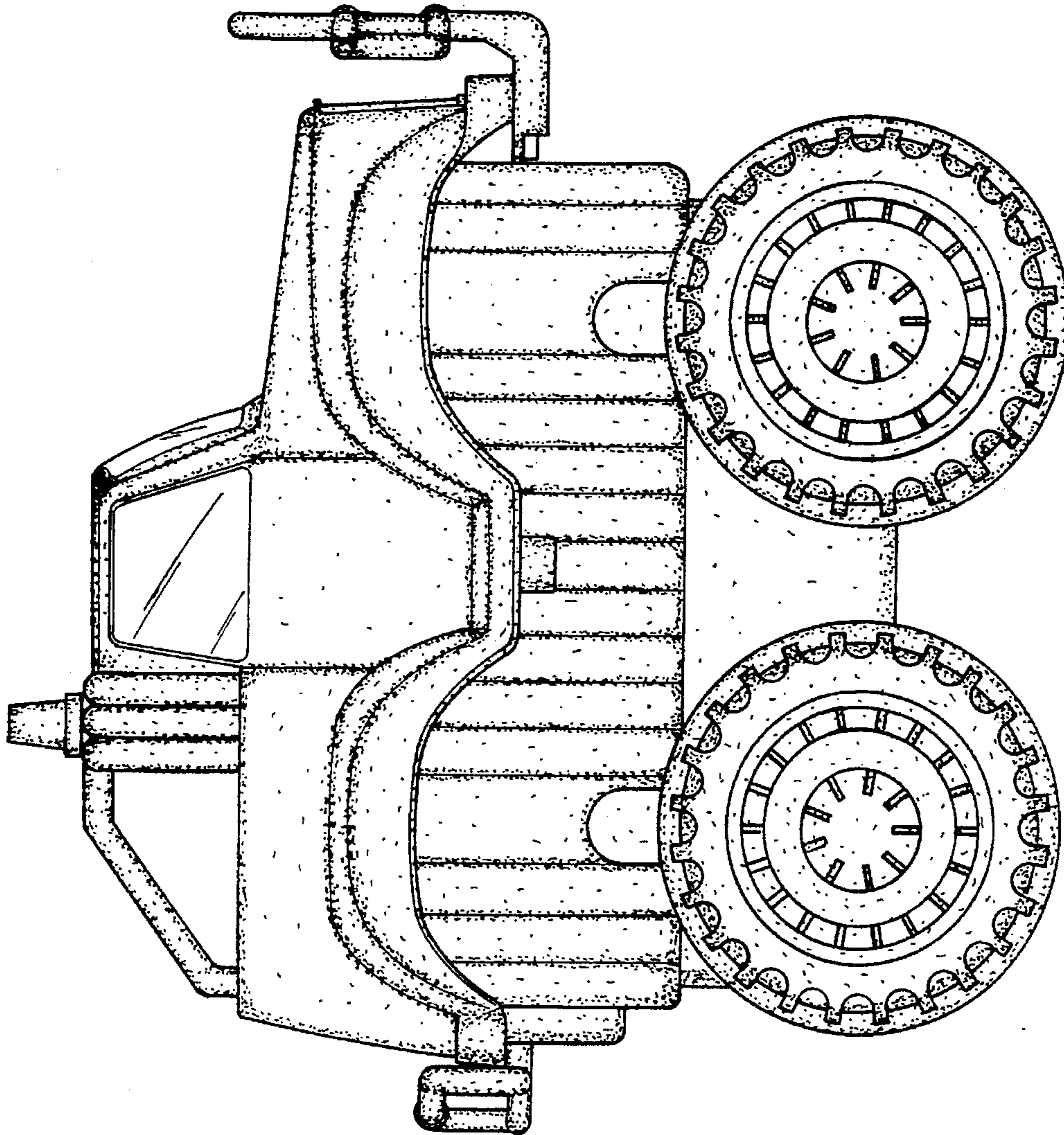


FIG. 5

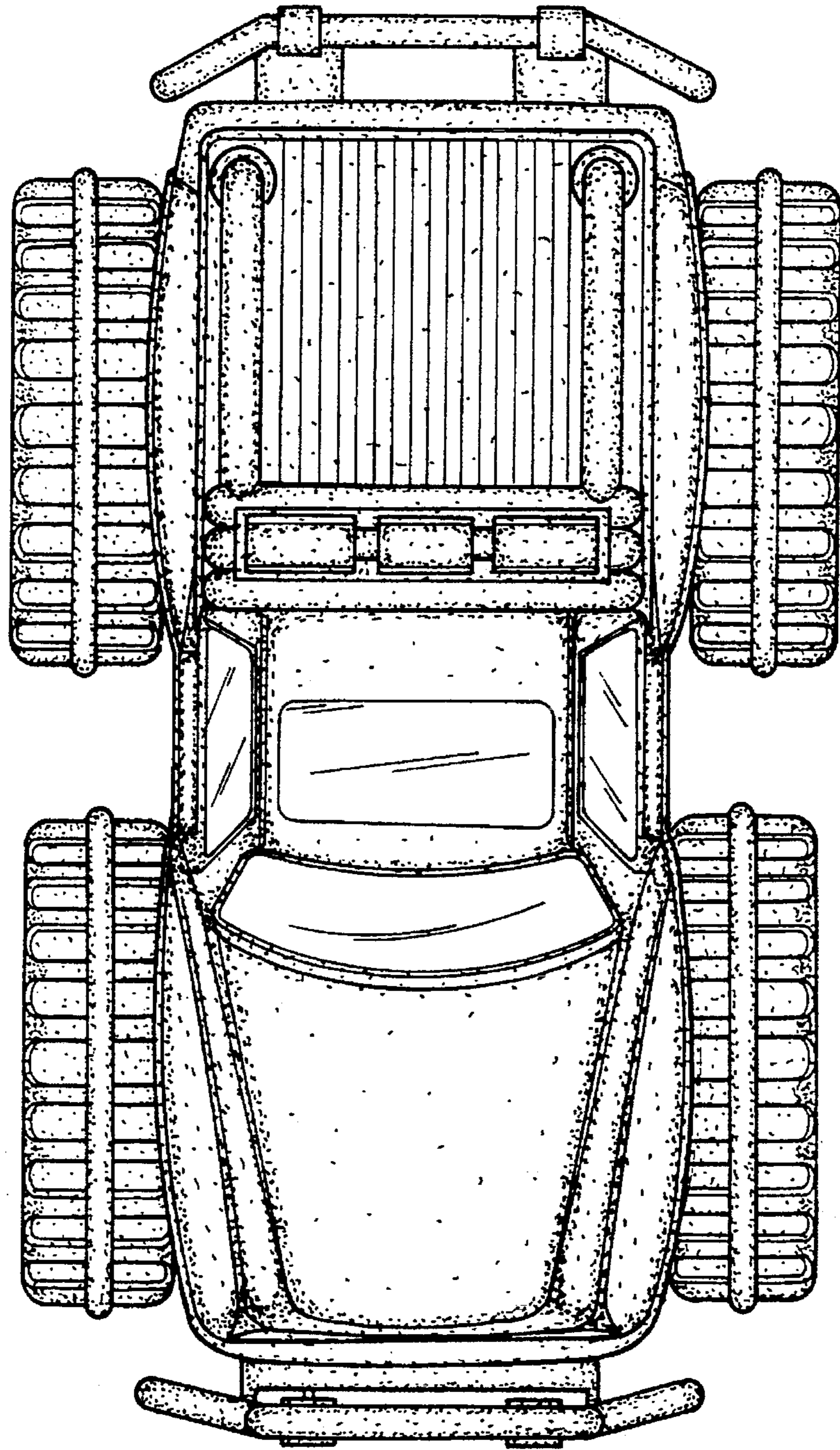


FIG. 6

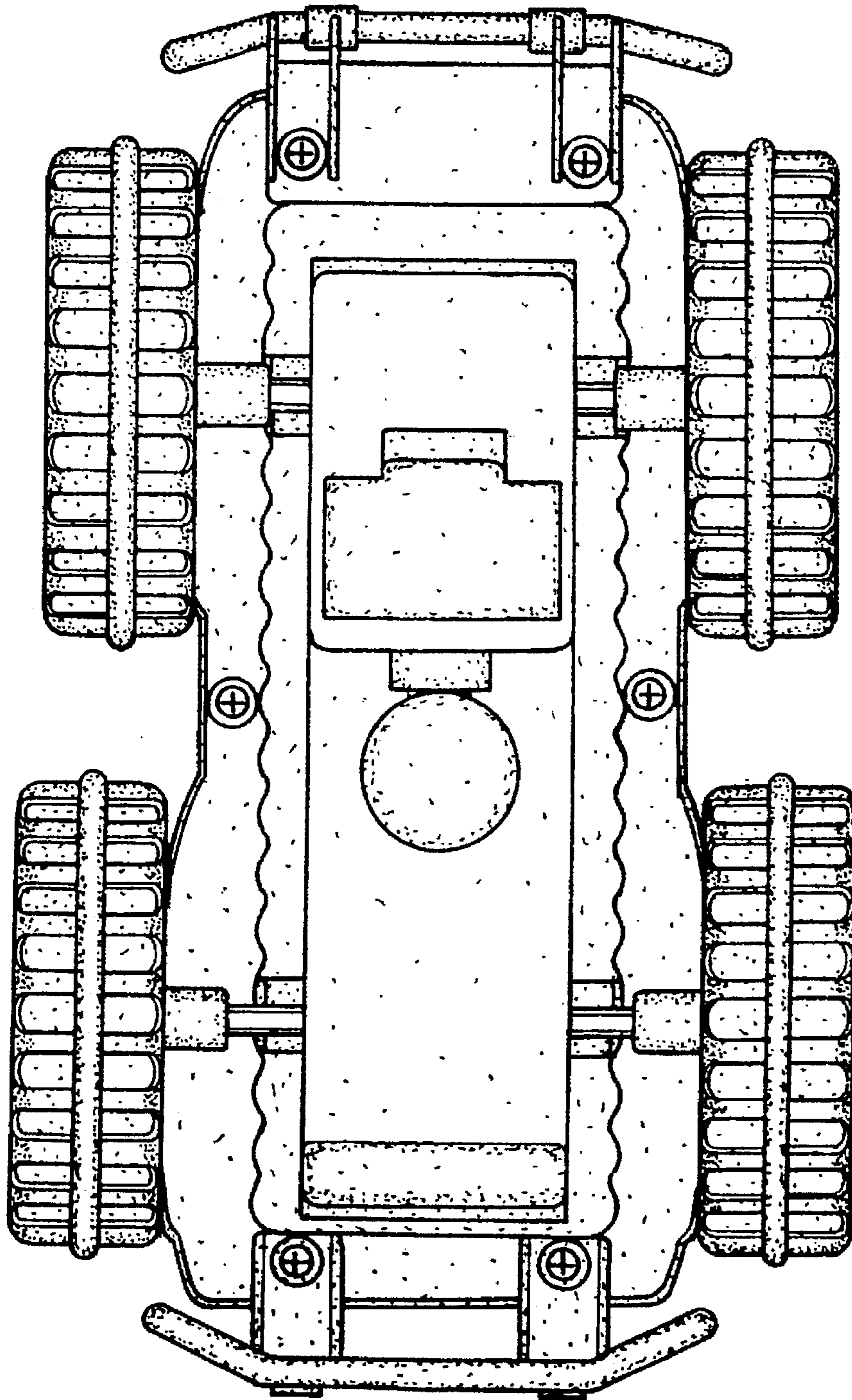


FIG. 7