



US00D377951S

# United States Patent [19]

[11] Patent Number: **Des. 377,951**

McDiarmid

[45] Date of Patent: **\*\*Feb. 11, 1997**

[54] **DESK ORGANIZER**

[75] Inventor: **Ronald D. McDiarmid**, La Habra, Calif.

[73] Assignee: **Gruga, U.S.A.**, City of Industry, Calif.

[\*\*] Term: **14 Years**

[21] Appl. No.: **46,727**

[22] Filed: **Oct. 30, 1995**

[52] U.S. Cl. .... **D19/78; D19/69; D19/77; D19/85**

[58] Field of Search ..... **D7/641; D19/65, D19/75, 67-69, 77, 78, 81-85, 86, 90, 95, 99, 100; 206/214, 224, 371; 211/69.1-69.9**

[56] **References Cited**

**U.S. PATENT DOCUMENTS**

D. 283,630	4/1986	Yuen	.....	D19/77 X
D. 328,100	7/1992	Lia	.....	D19/77
D. 329,876	9/1992	Breen	.....	D19/75
D. 340,071	10/1993	Sun	.....	D19/77

D. 342,281	12/1993	Lin	.....	D19/77
D. 367,889	3/1996	Chiu	.....	D19/85 X
3,327,688	6/1967	Smith	.....	206/214
4,953,696	9/1990	Huang et al.	.....	206/214

*Primary Examiner*—Martie Thompson  
*Attorney, Agent, or Firm*—Pretty, Schroeder, Brueggemann & Clark

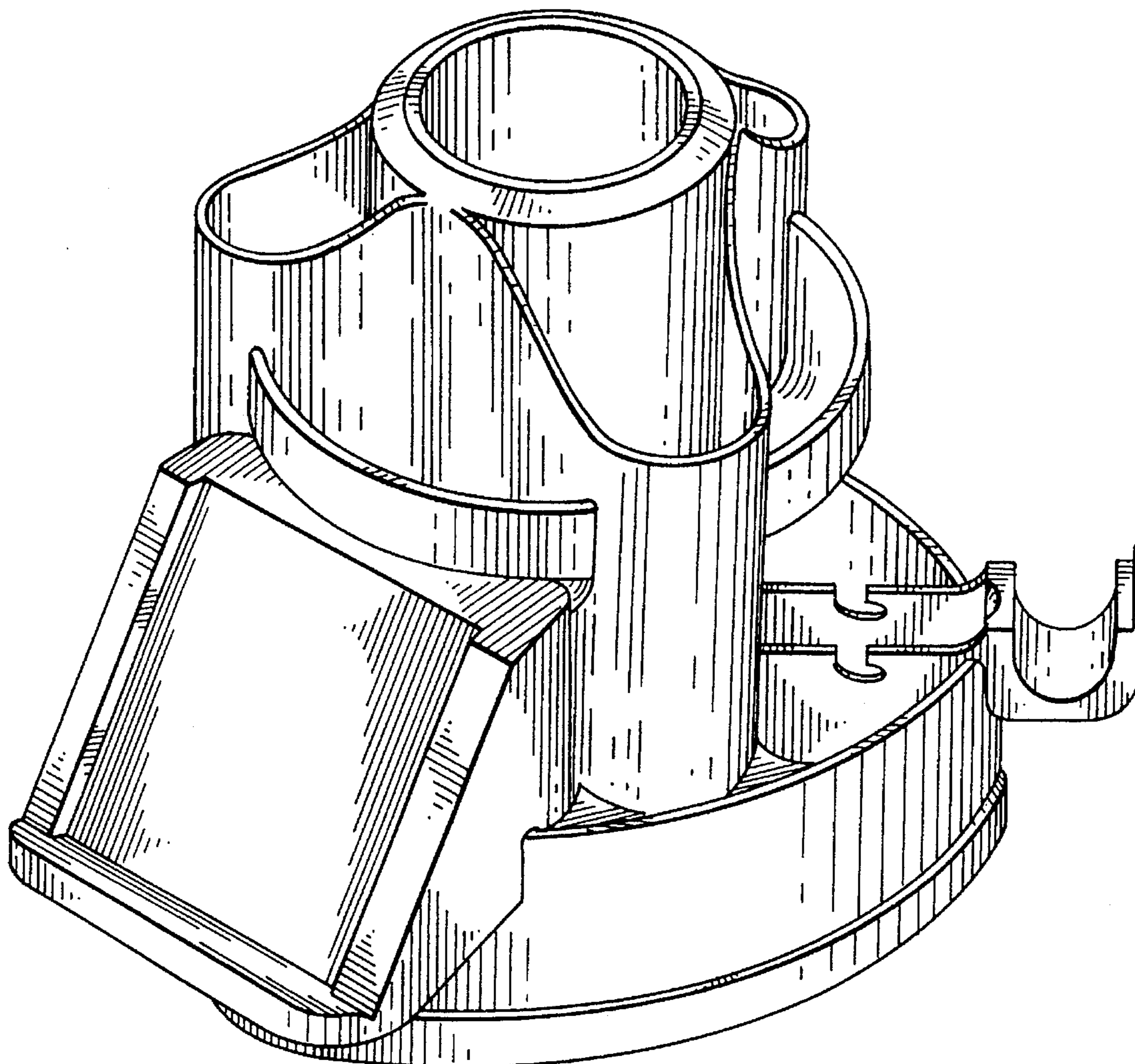
[57] **CLAIM**

The ornamental design for a desk organizer, as shown and described.

**DESCRIPTION**

FIG. 1 is a top, left perspective of a desk organizer embodying my new design;  
FIG. 2 is a top rear perspective view thereof;  
FIG. 3 is a top plan view thereof;  
FIG. 4 is a left front elevational view thereof;  
FIG. 5 is a right front elevational view thereof;  
FIG. 6 is a rear elevational view thereof;  
FIG. 7 is a front elevational view thereof; and,  
FIG. 8 is a bottom plan view thereof.

**1 Claim, 4 Drawing Sheets**



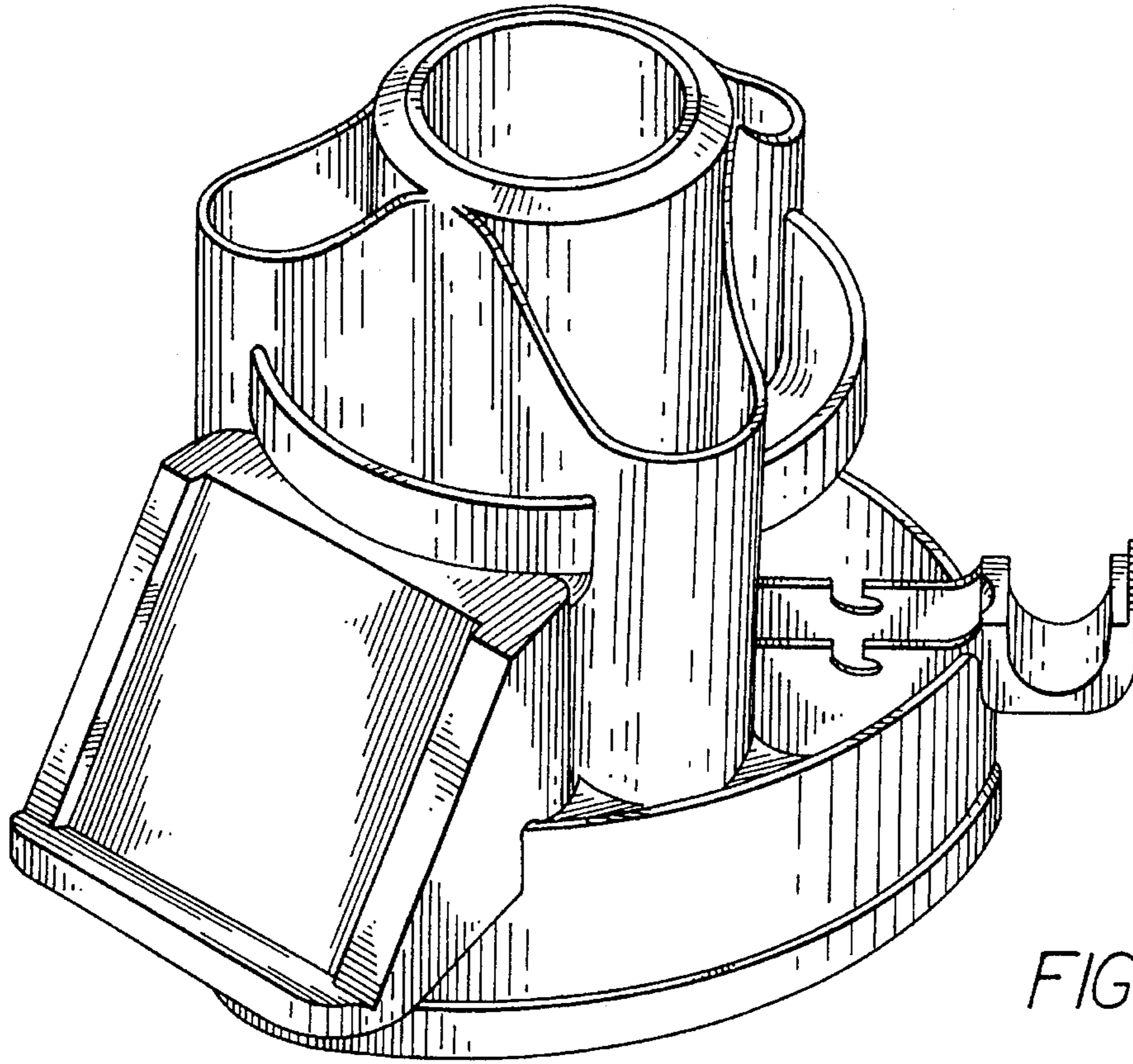


FIG. 1

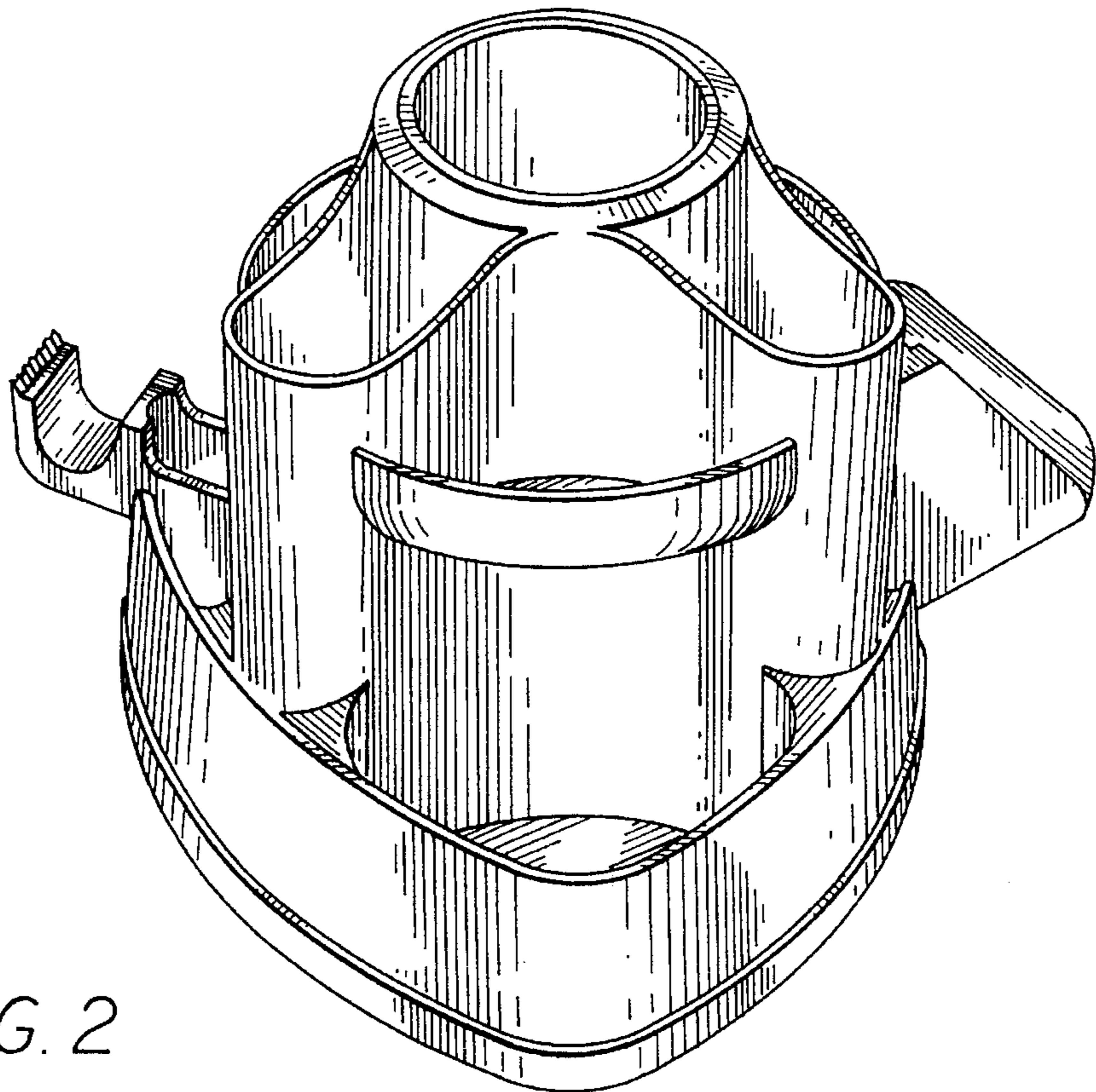


FIG. 2

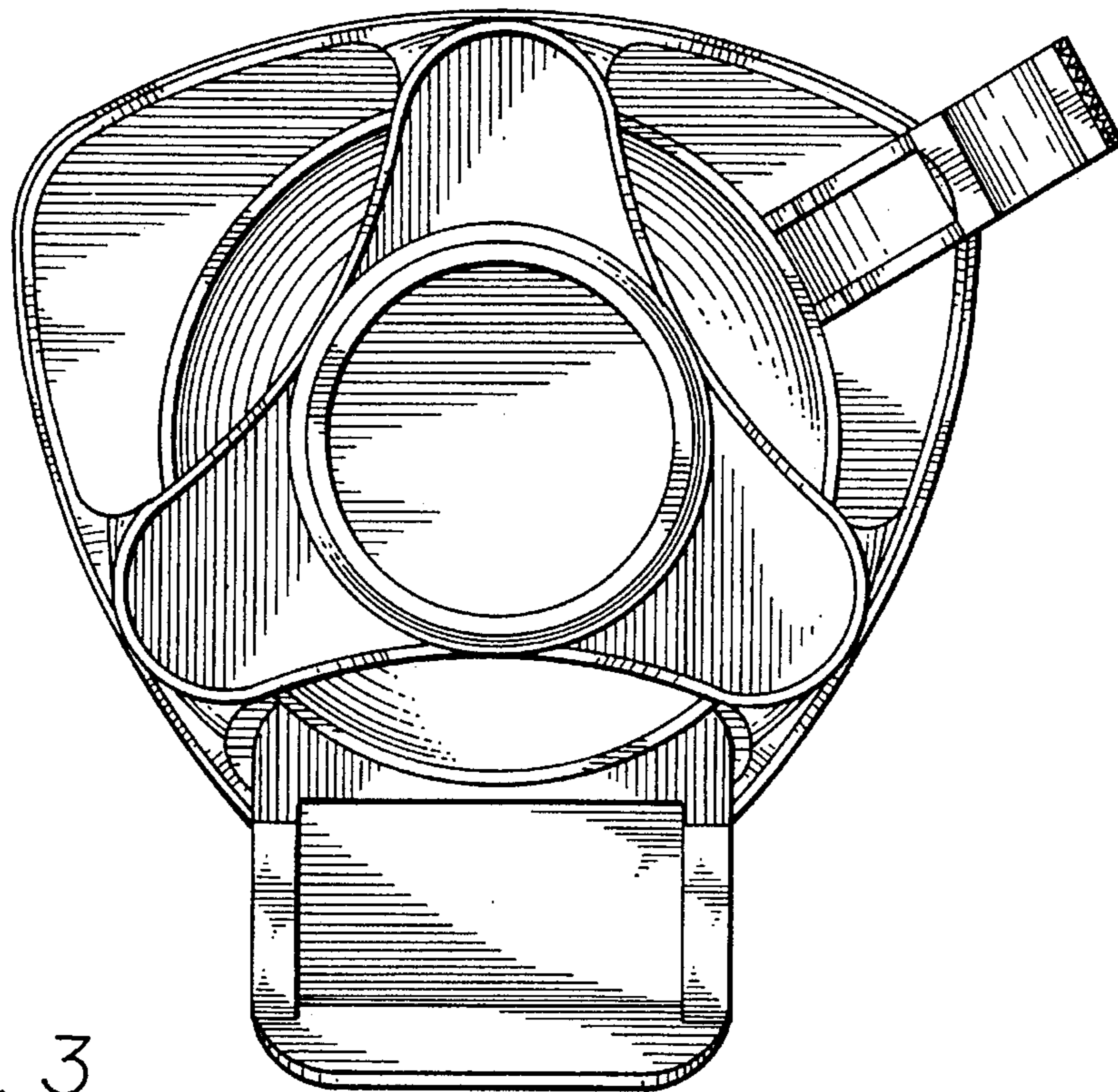


FIG. 3

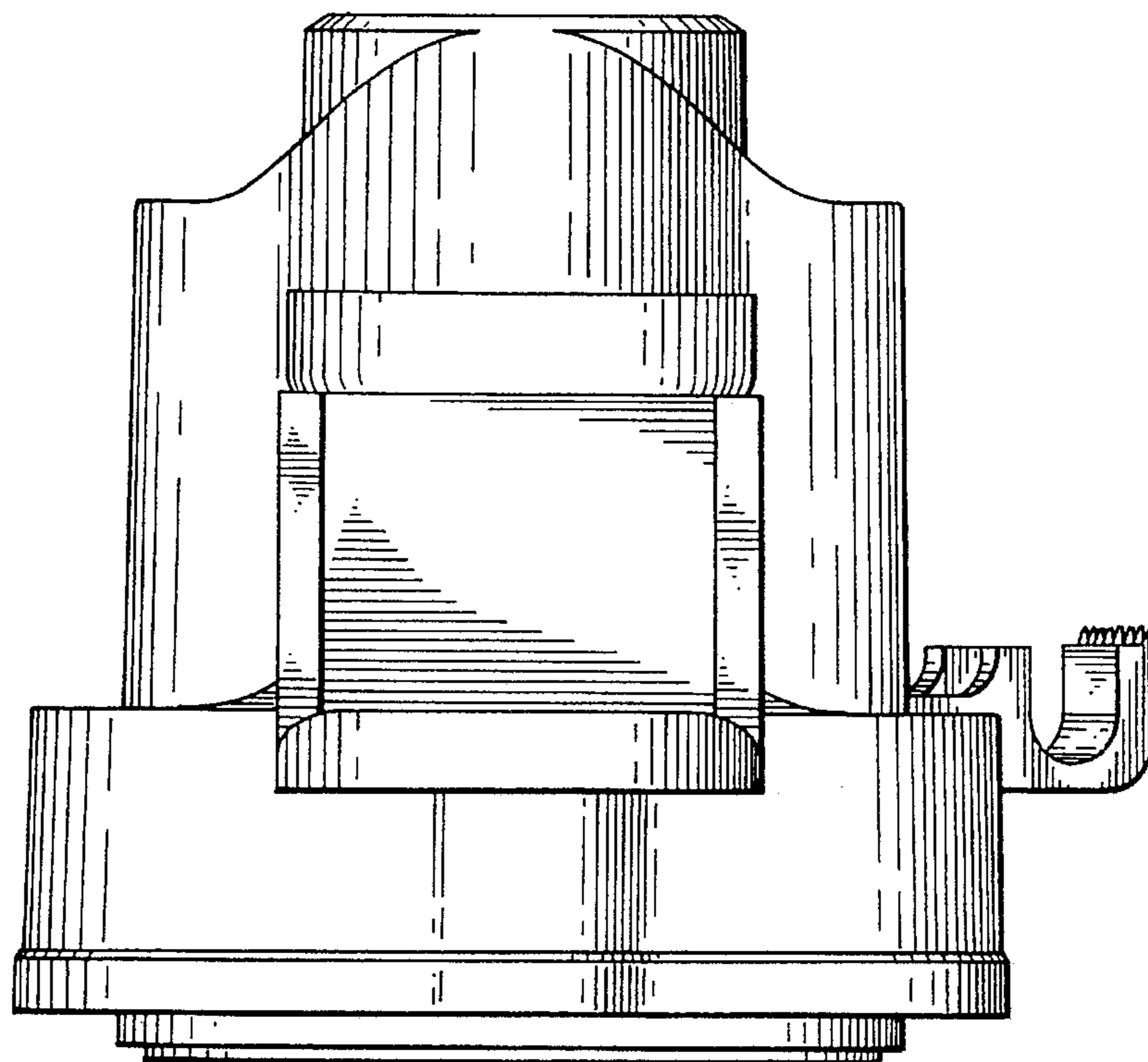


FIG. 4

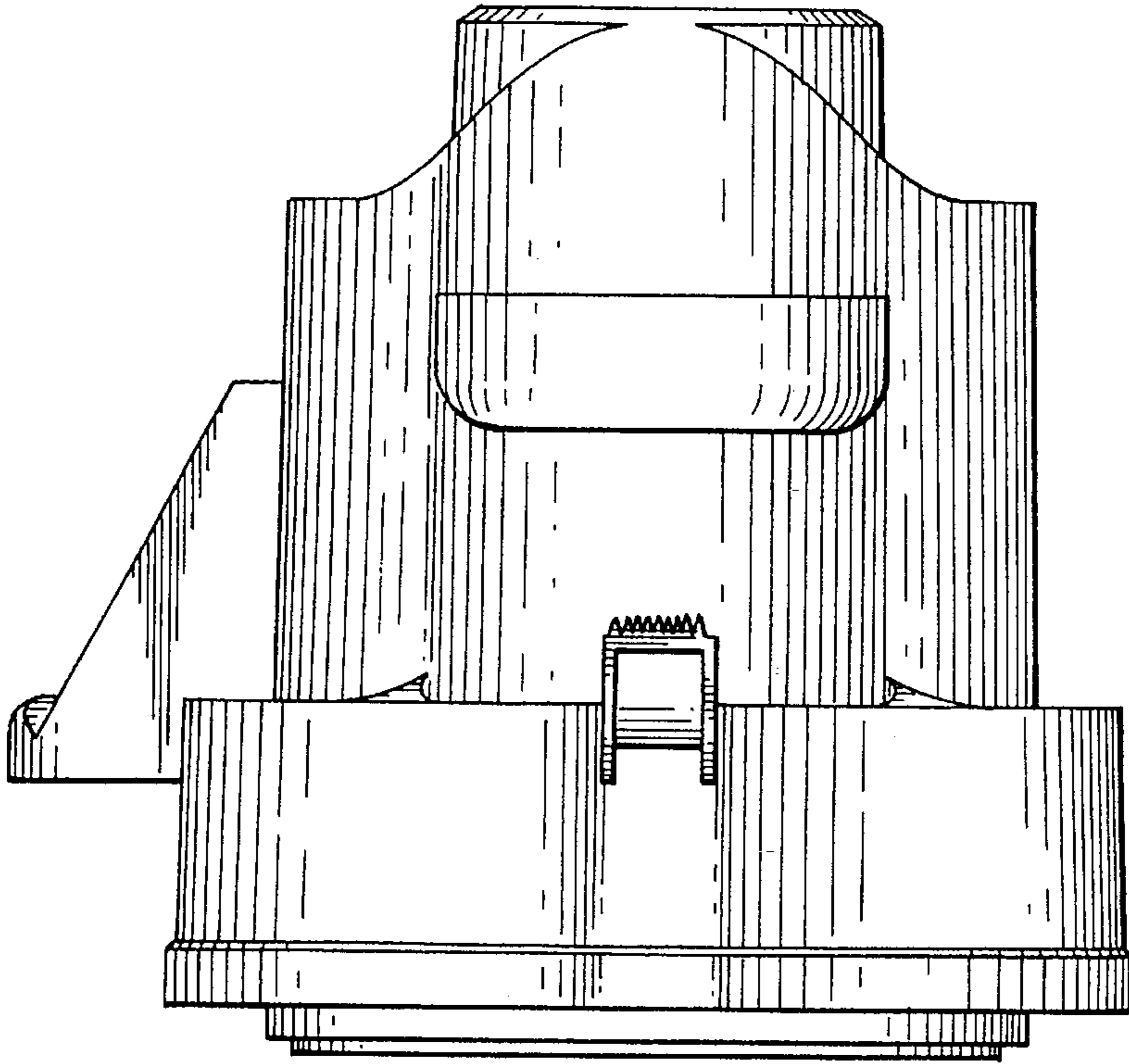


FIG. 5

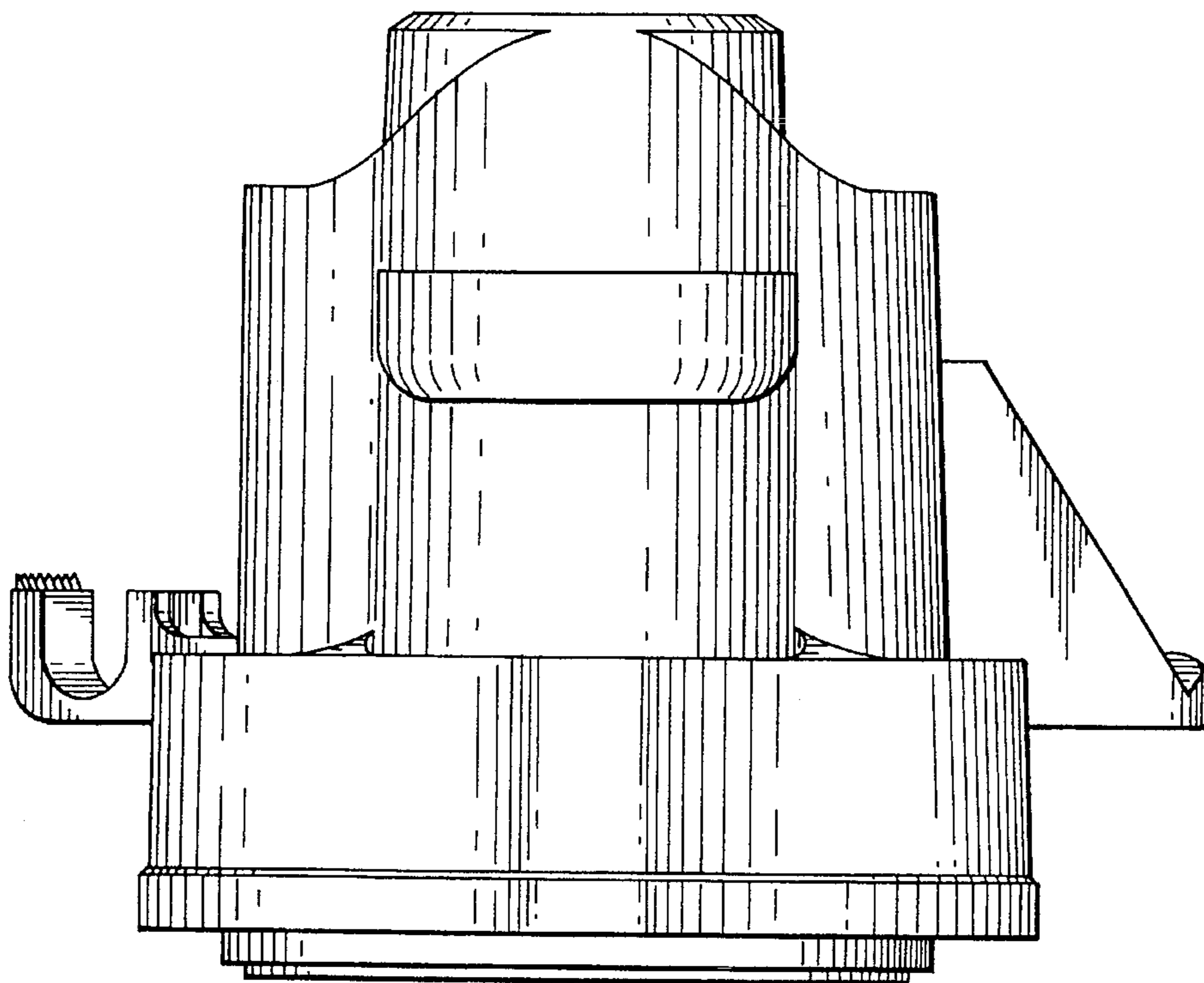


FIG. 6

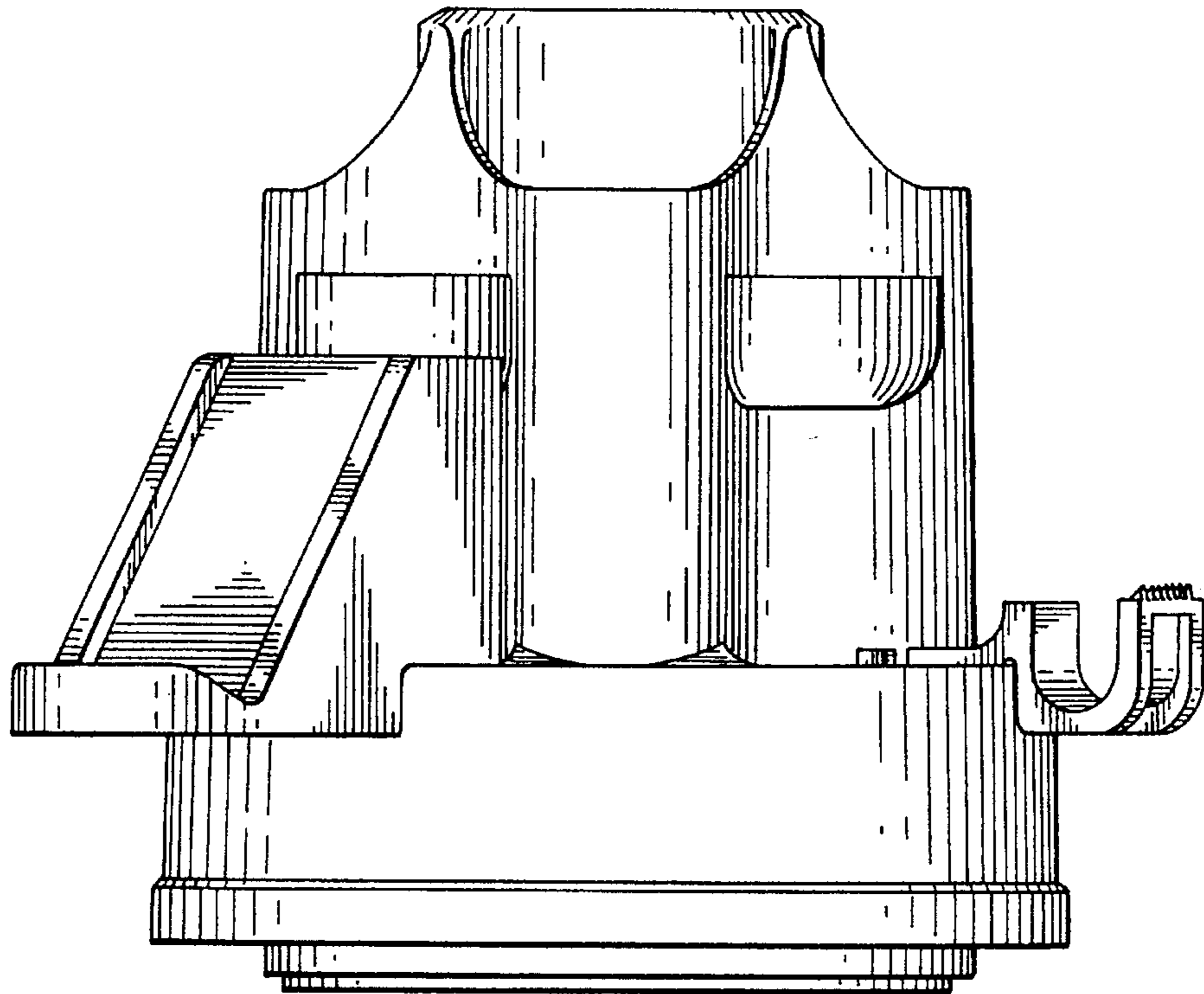


FIG. 7

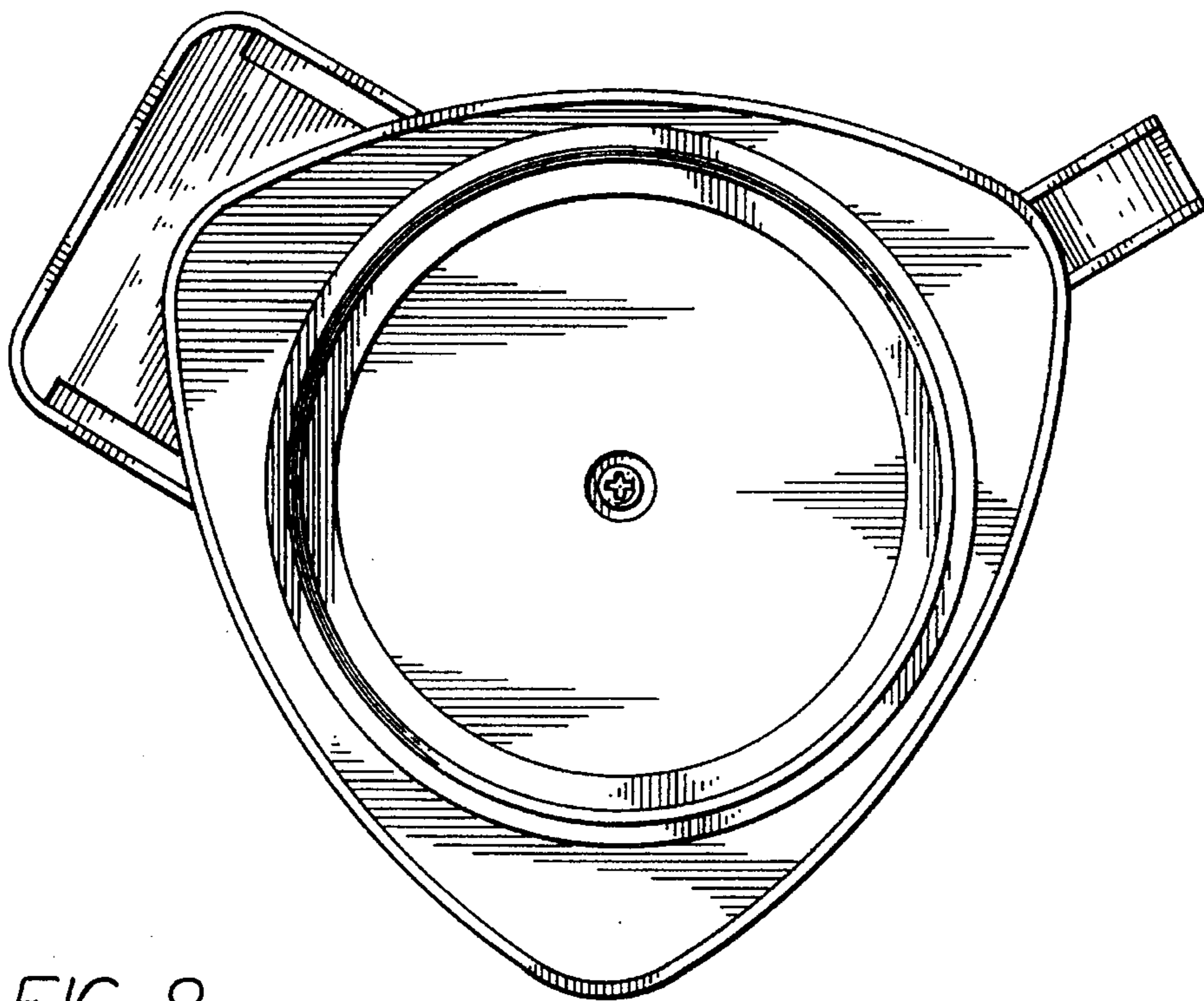


FIG. 8