



US00D377949S

United States Patent [19] Woldenberg et al.

[11] Patent Number: **Des. 377,949**

[45] Date of Patent: ****Feb. 11, 1997**

[54] DIGITAL/ANALOG TEACHING CLOCK

[76] Inventors: **Richard Woldenberg**, 176 Hastings;
Jane Woldenberg, 788 Kimballwood
La.; **Tirza Ernst**, 1776 Berkeley Rd.,
all of Highland Park, Ill. 60035;
Barbara Plain, 1615 E. Lincoln Ave.,
Des Plaines, Ill. 60018

[**] Term: **14 Years**

[21] Appl. No.: **43,958**

[22] Filed: **Sep. 14, 1995**

[52] U.S. Cl. **D19/64; D10/1**

[58] Field of Search **D19/59, 60, 62,
D19/64; D10/1, 23-29; 434/304; D21/144**

[56] References Cited

U.S. PATENT DOCUMENTS

2,631,386 3/1953 Zalkind 434/304
3,295,312 1/1967 Mutting et al. 434/304 X

OTHER PUBLICATIONS

Beckley-Candy Catalog, p. 135 Jan. 1994. Clocks on Lower
Half of Page.

Primary Examiner—Susan J. Lucas
Assistant Examiner—Pamela Burgess
Attorney, Agent, or Firm—Laff, Whitesel, Conte & Saret,
Ltd.

[57] CLAIM

The ornamental design for a digital/analog teaching clock,
as shown.

DESCRIPTION

FIG. 1 is a front elevational view of a digital/analog teaching
clock;

FIG. 2 is a top view thereof;

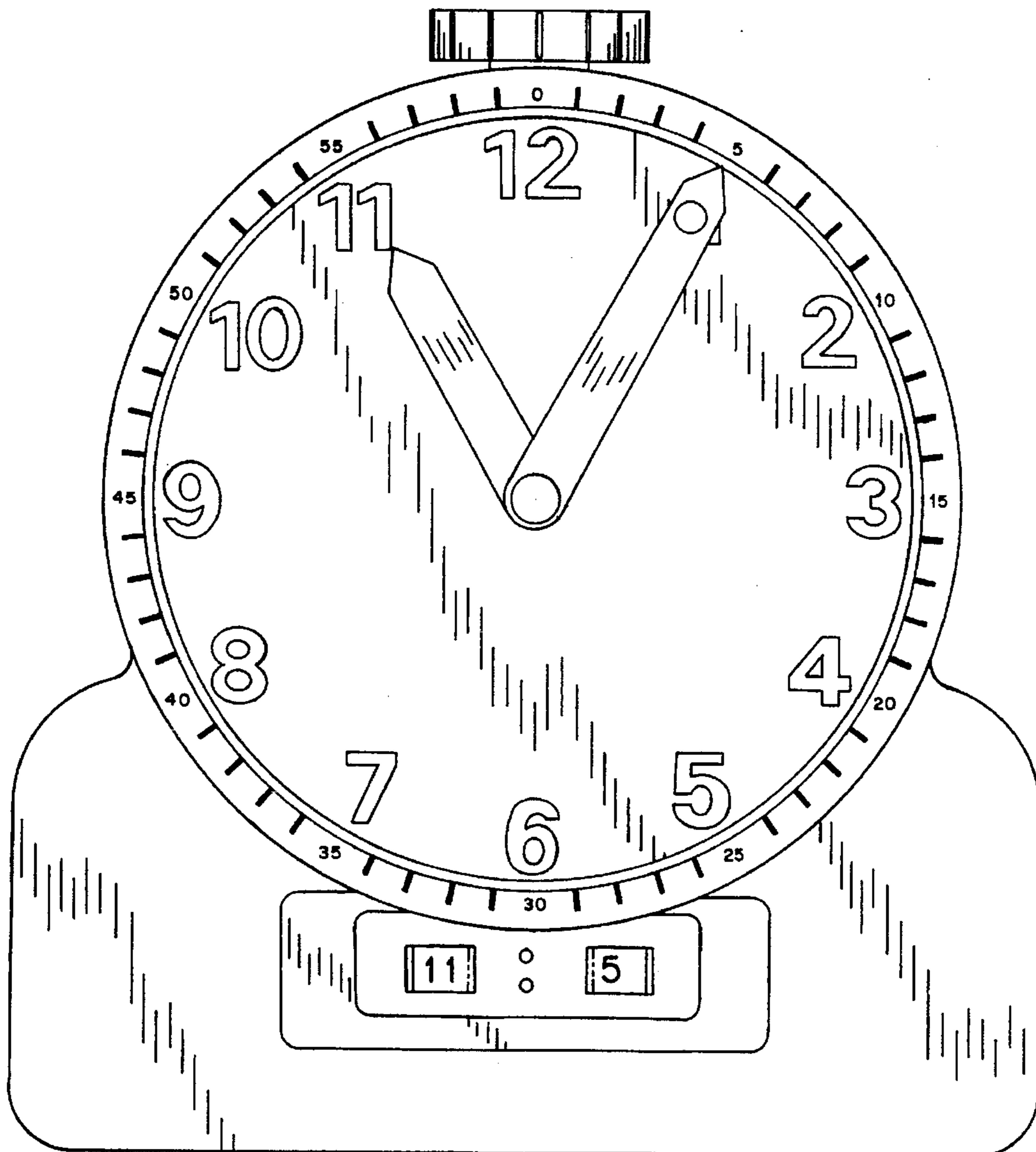
FIG. 3 is a rear elevational view thereof;

FIG. 4 is a bottom plan view thereof;

FIG. 5 is a left side elevational view thereof; and,

FIG. 6 is a right side elevational view thereof.

1 Claim, 3 Drawing Sheets



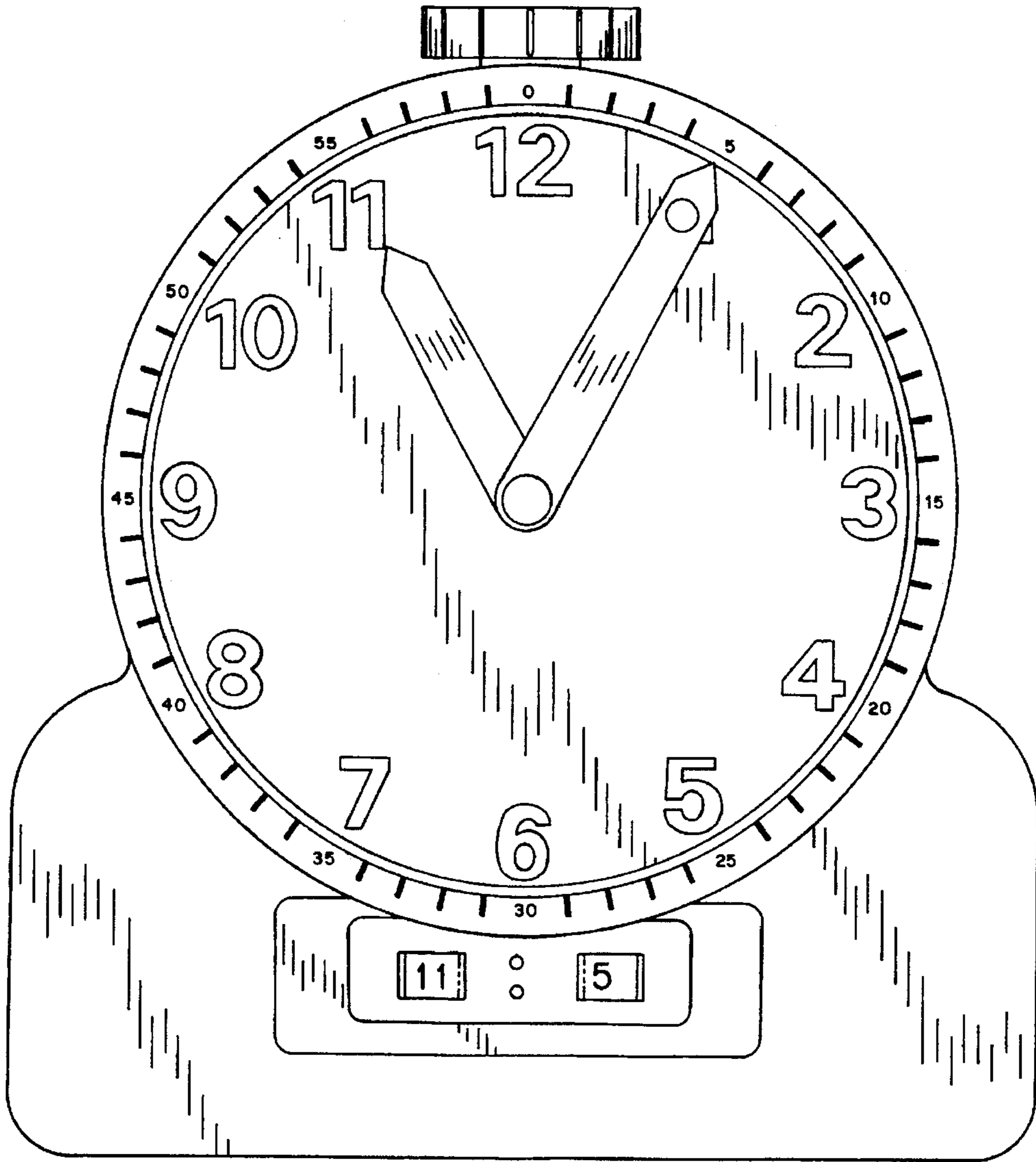


FIG. 1

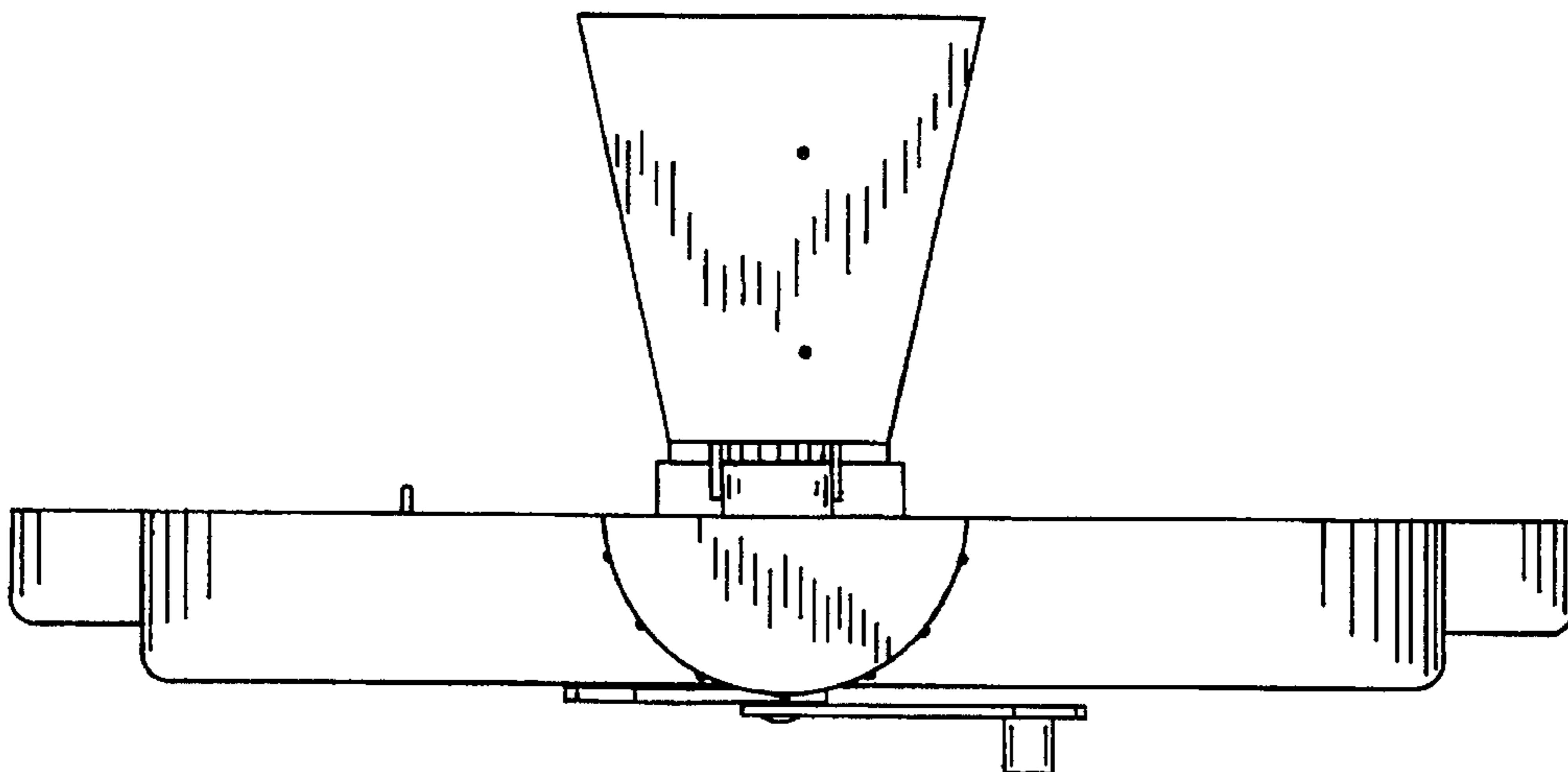


FIG. 2

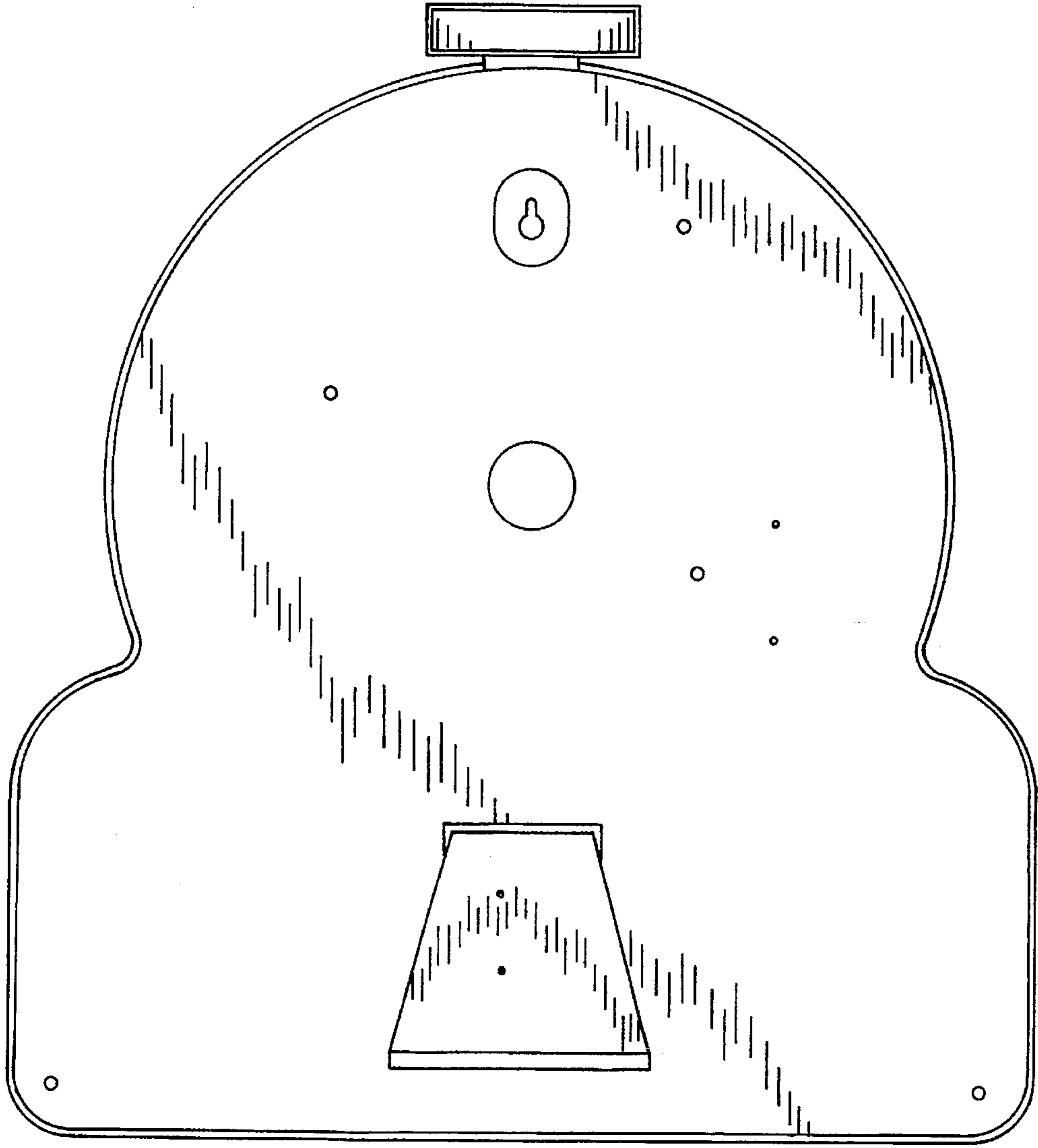


FIG. 3

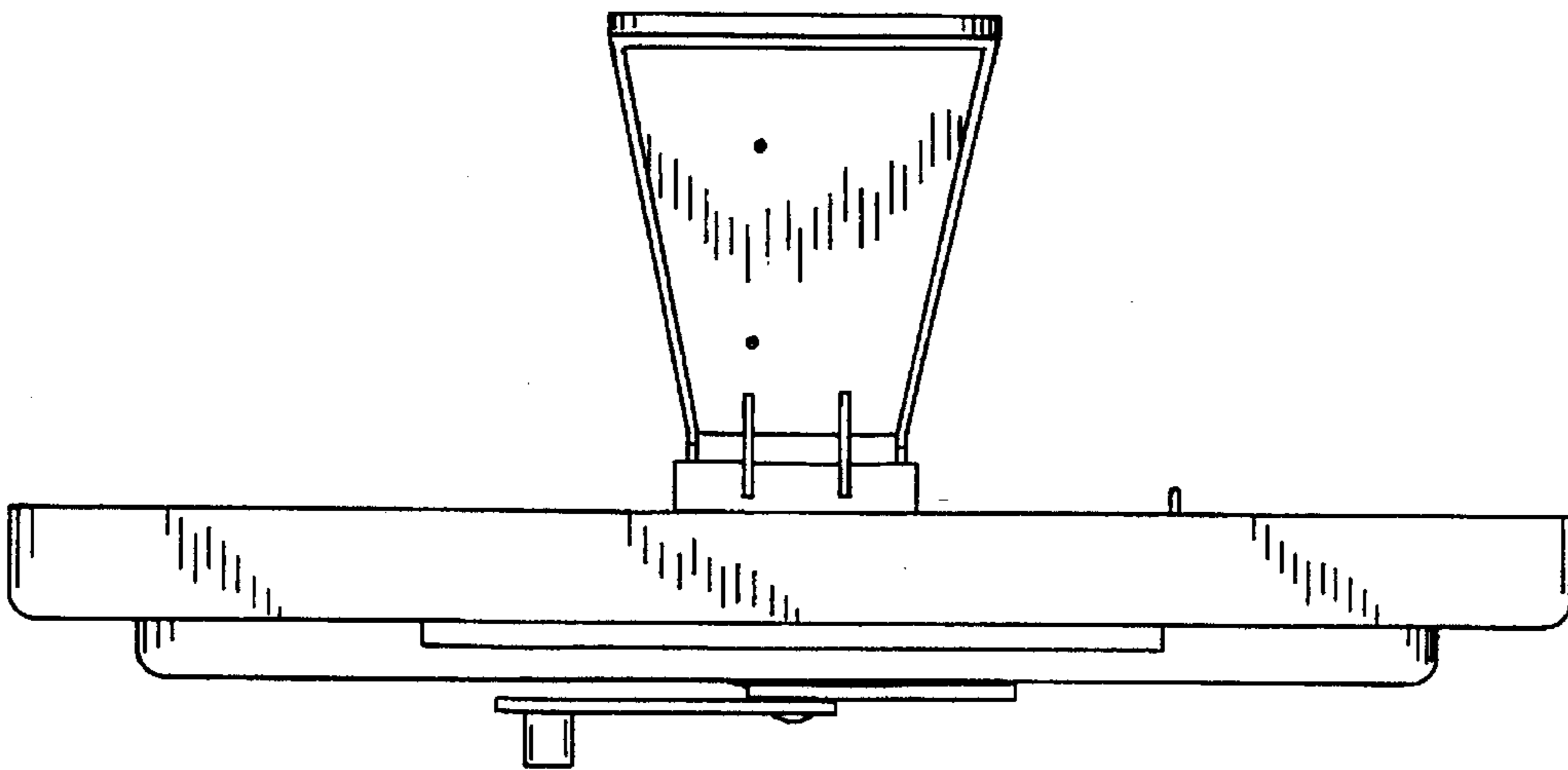


FIG. 4

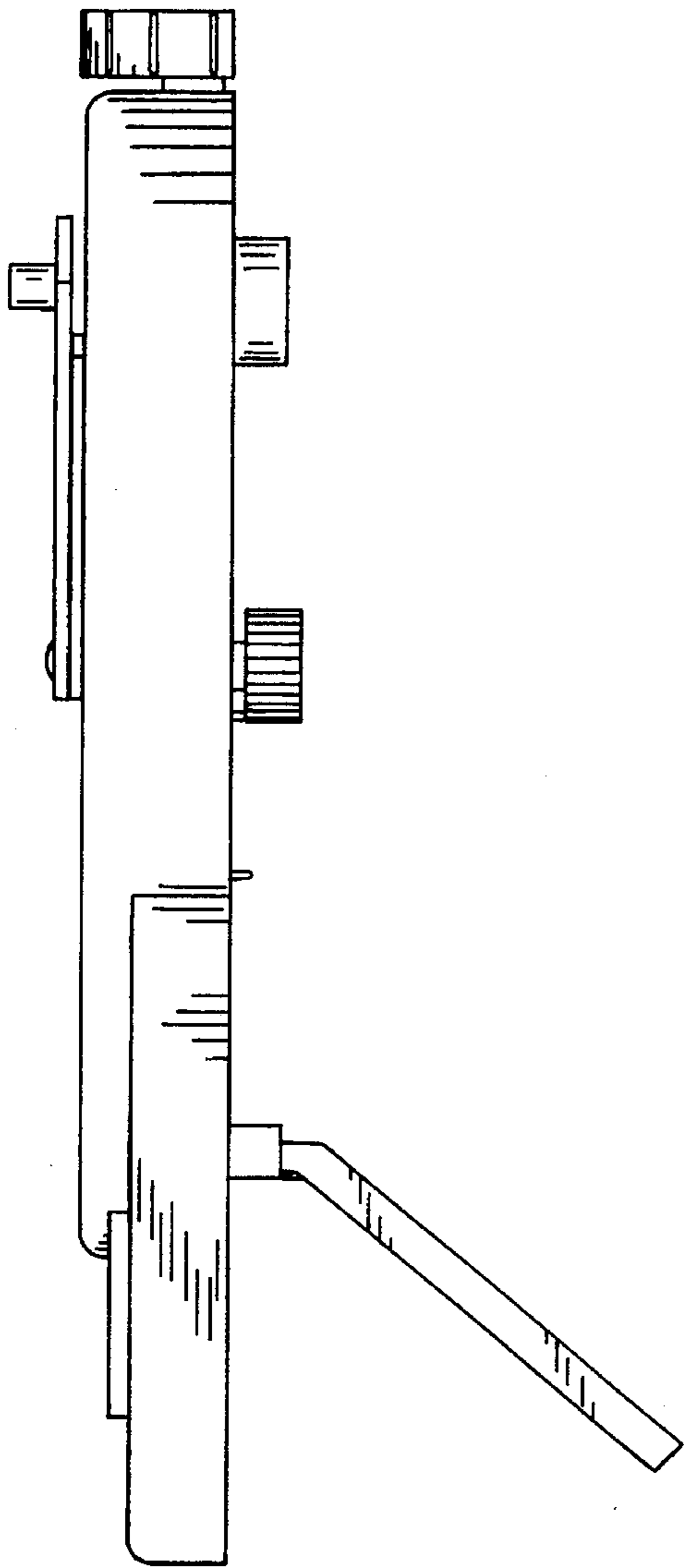


FIG. 5

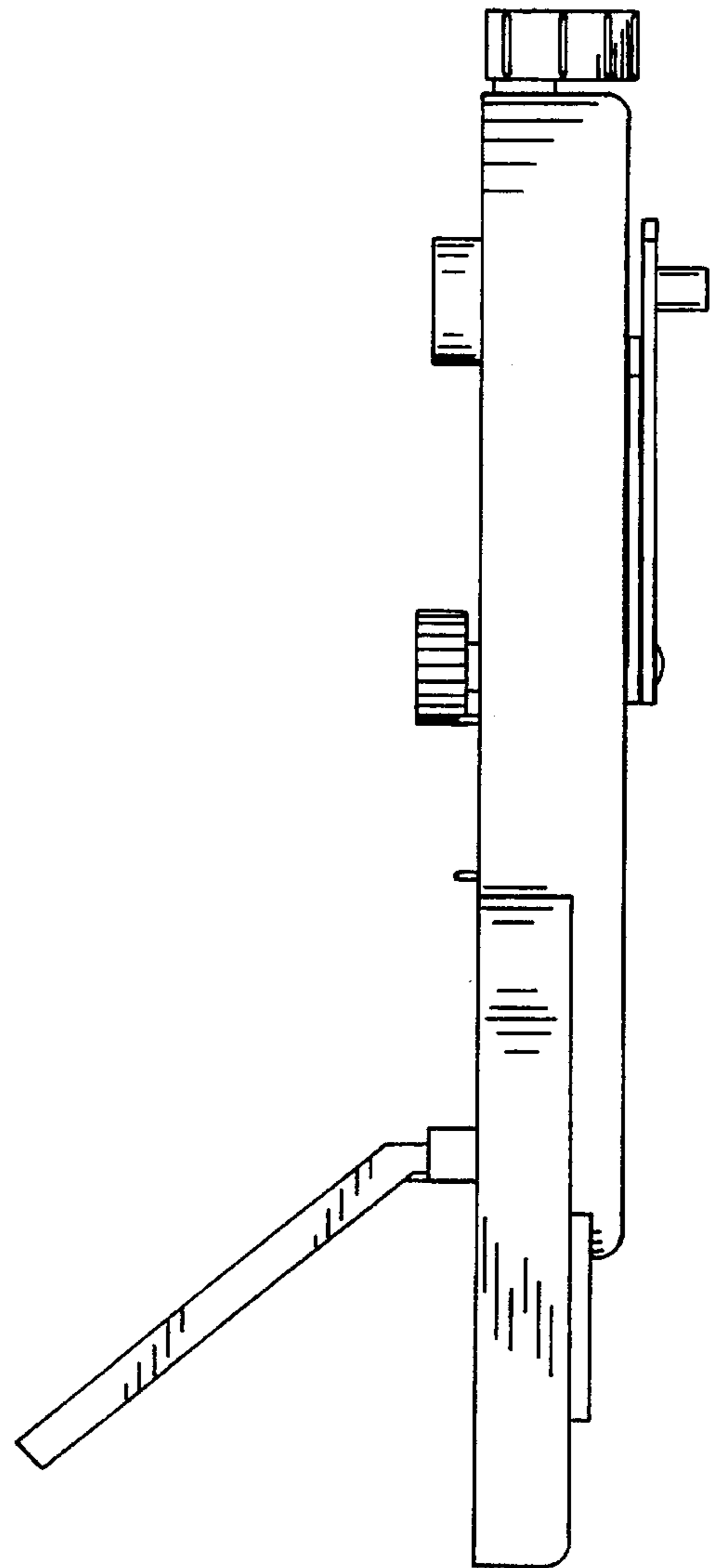


FIG. 6