



US00D377947S

United States Patent [19]

Ladner

[11] Patent Number: **Des. 377,947**

[45] Date of Patent: ****Feb. 11, 1997**

[54] **VOICE ACTIVATED WRITING UTENSIL**

[76] Inventor: **Sonya M. Ladner**, 5901 Blackley La., Indianapolis, Ind. 46254

[**] Term: **14 Years**

[21] Appl. No.: **45,794**

[22] Filed: **Oct. 30, 1995**

[52] U.S. Cl. **D19/36; D19/49; D19/51; D14/226**

[58] Field of Search D19/35, 36, 41-51, D19/54-58, 53, 81-85; 401/52, 195, 209; D14/225, 226, 228; 395/2.81; 381/18, 27; 369/58, 64; 434/308; 379/355, 361, 110

[56] **References Cited**

U.S. PATENT DOCUMENTS

- D. 191,340 9/1961 Shaw D19/51
- D. 258,069 1/1981 Malamoud D19/48
- D. 279,186 6/1985 Tung et al. D19/36 X
- D. 330,046 10/1992 Cuadrado D19/51 X

- D. 340,767 10/1993 Luke D19/51 X
- D. 345,991 4/1994 Tzong-Taur D19/36
- D. 364,641 11/1995 Osterhout D19/36

Primary Examiner—Martie Thompson
Attorney, Agent, or Firm—Harold H. Dutton, Jr.; W. Charles L. Jamison; Diane F. Liebman

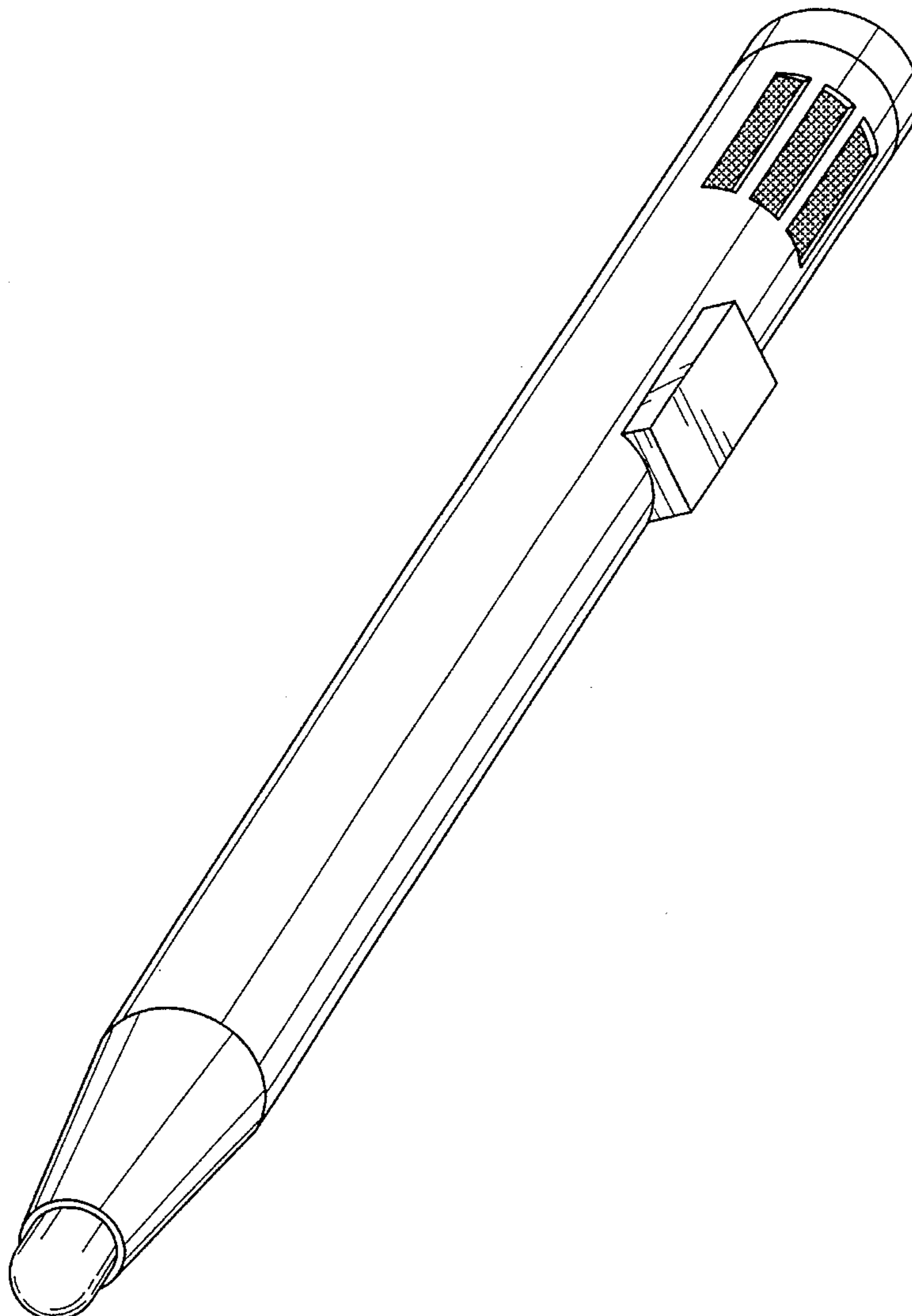
[57] **CLAIM**

The ornamental design for a voice activated writing utensil, as shown.

DESCRIPTION

FIG. 1 is a perspective view of a voice activated writing utensil showing my new design;
FIG. 2 is a front view thereof;
FIG. 3 is a rear view thereof;
FIG. 4 is a left side view thereof;
FIG. 5 is a top end view thereof; and,
FIG. 6 is a bottom end view thereof.

1 Claim, 3 Drawing Sheets



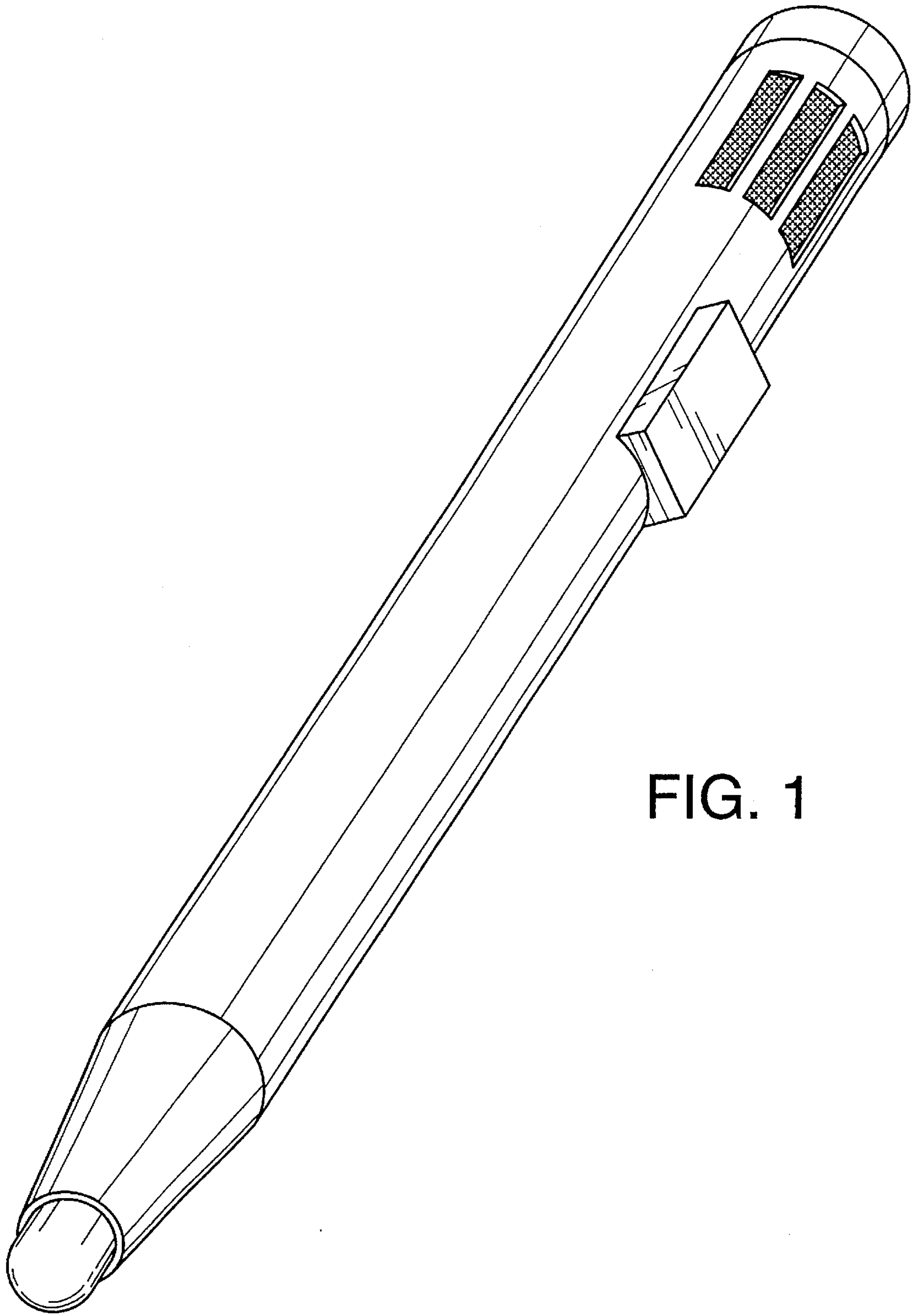


FIG. 1

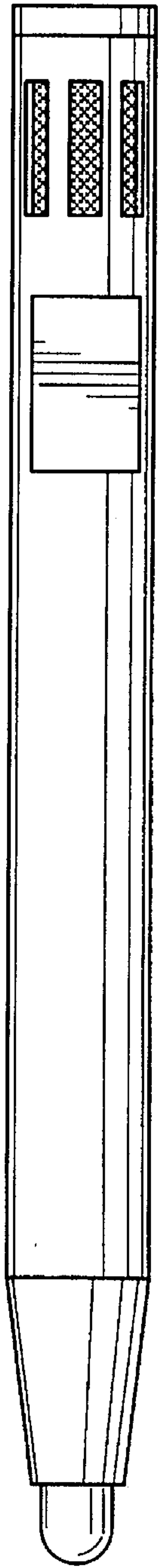


FIG. 2

FIG. 3

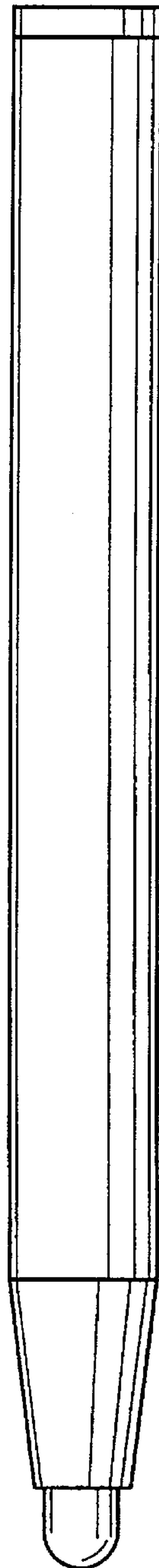


FIG. 4

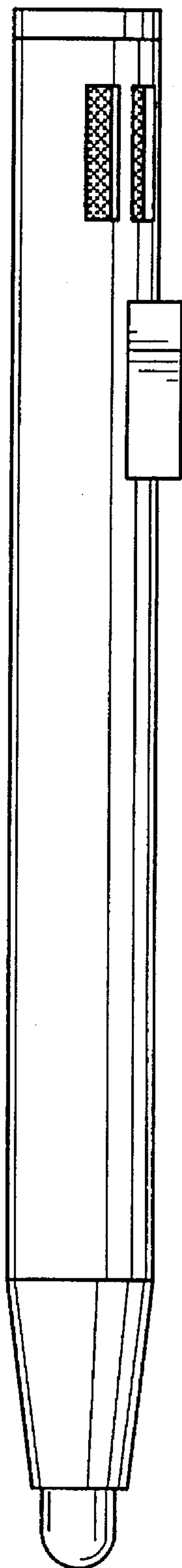


FIG. 5

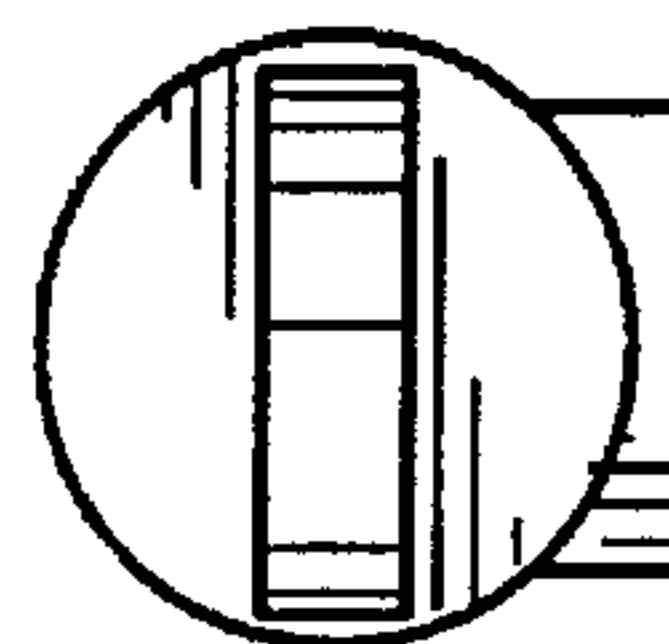


FIG. 6

