



US00D377944S

United States Patent [19]

Seki et al.

[11] Patent Number: **Des. 377,944**

[45] Date of Patent: ****Feb. 11, 1997**

[54] **COPYING MACHINE**

[75] Inventors: **Hiroo Seki**, Yokohama, Japan; **Mark S. Penke**, West Henrietta; **Jacob W. Patla**, Fairport, both of N.Y.

[73] Assignee: **Fuji Xerox Co., Ltd.**, Tokyo, Japan

[**] Term: **14 Years**

[21] Appl. No.: **45,115**

[22] Filed: **Oct. 10, 1995**

[30] **Foreign Application Priority Data**

Apr. 25, 1995 [JP] Japan 7-11492

[52] **U.S. Cl.** **D18/39**

[58] **Field of Search** D18/36-40; D15/80;
354/89, 90, 297, 299; 355/200, 210, 233,
234

[56] **References Cited**

U.S. PATENT DOCUMENTS

D. 258,446 3/1981 Beehler et al. D18/38

D. 312,267 11/1990 Biggs et al. D18/39
D. 334,400 3/1993 Penke et al. D18/39
D. 344,973 3/1994 Penke et al. D18/39
D. 350,767 9/1994 Kojima et al. D18/38
D. 358,411 5/1995 Minakawa et al. D18/36 X

Primary Examiner—Nelson C. Holtje
Assistant Examiner—Caron D. Veynar
Attorney, Agent, or Firm—Oliff & Berridge

[57] **CLAIM**

The ornamental design for a copying machine, as shown and described.

DESCRIPTION

FIG. 1 is a perspective view of the top, front and left side of a copying machine showing our new design; FIG. 2 is a front view thereof; FIG. 3 is a left side view thereof; FIG. 4 is a right side view thereof; FIG. 5 is a top plan view thereof; FIG. 6 is a rear view thereof; and, FIG. 7 is a bottom view thereof.

1 Claim, 6 Drawing Sheets

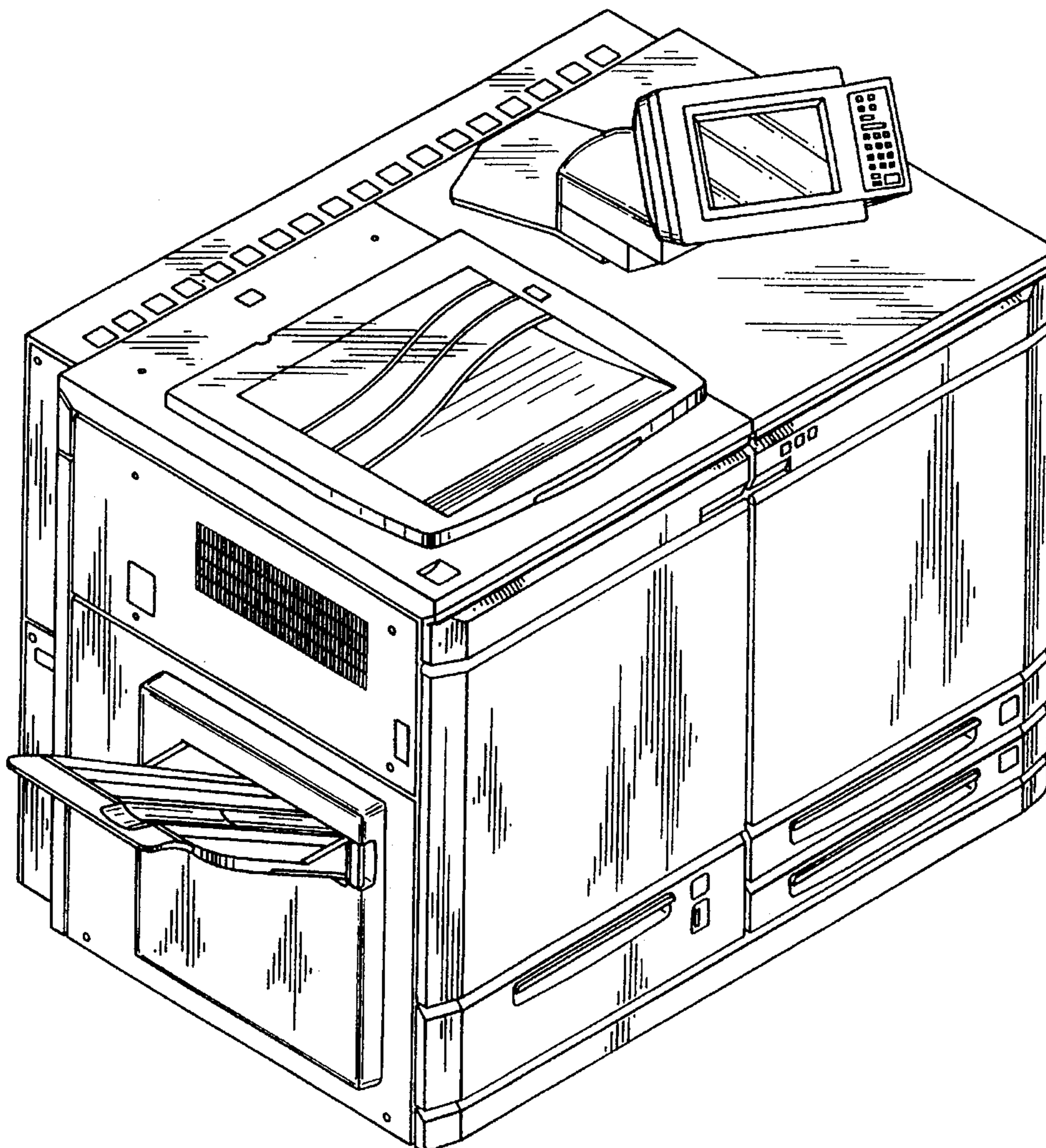
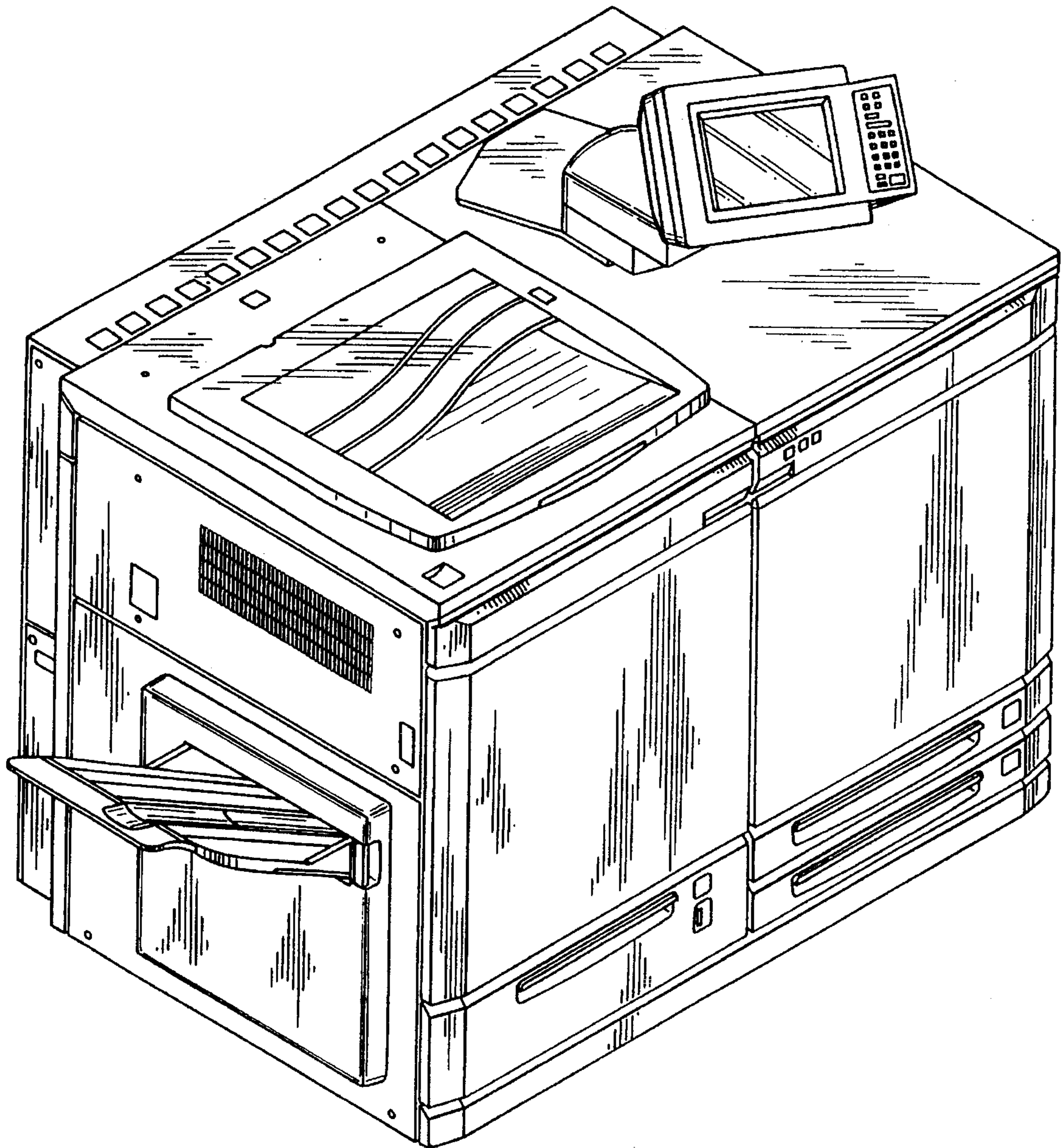


FIG. 1



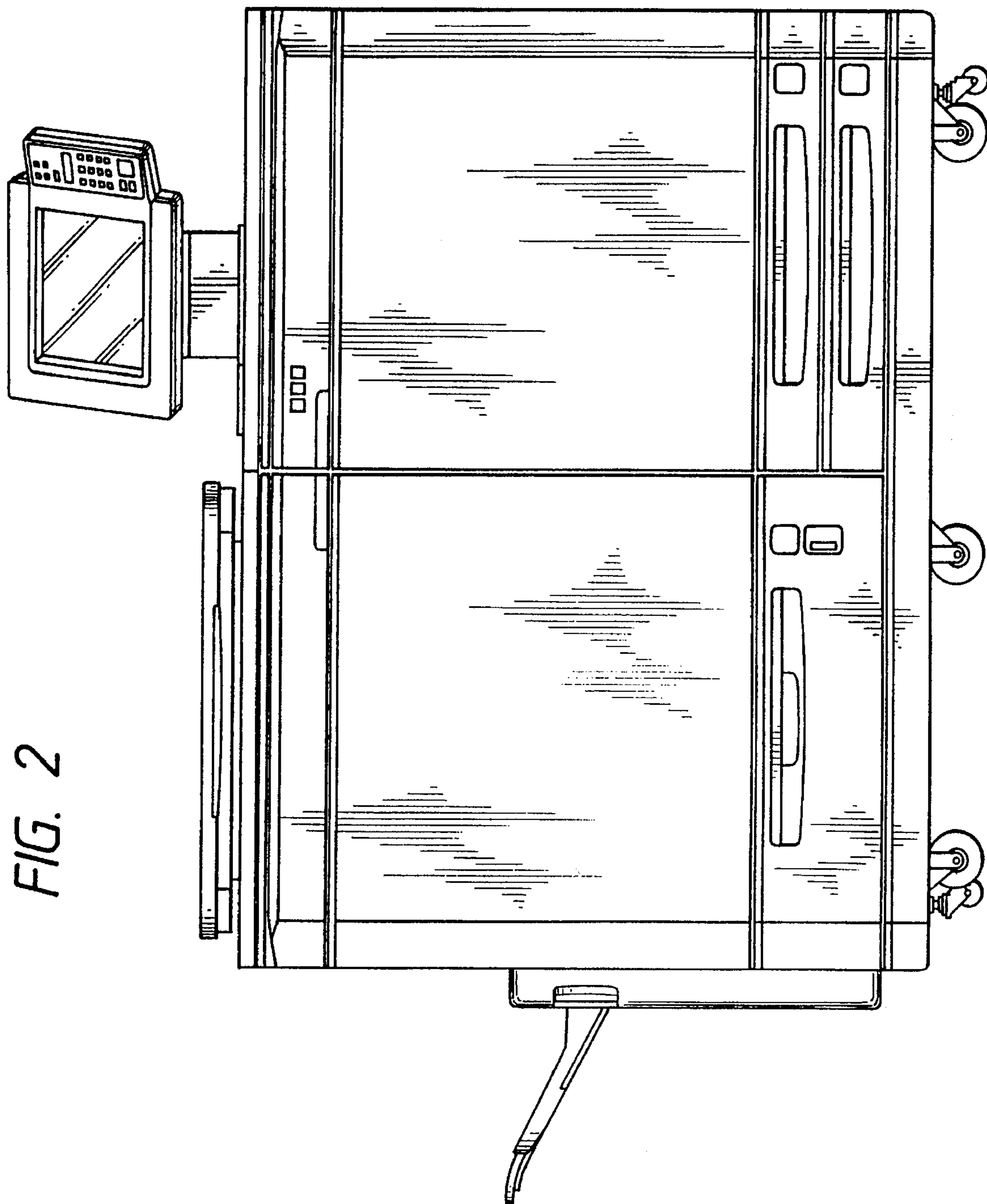


FIG. 2

FIG. 4

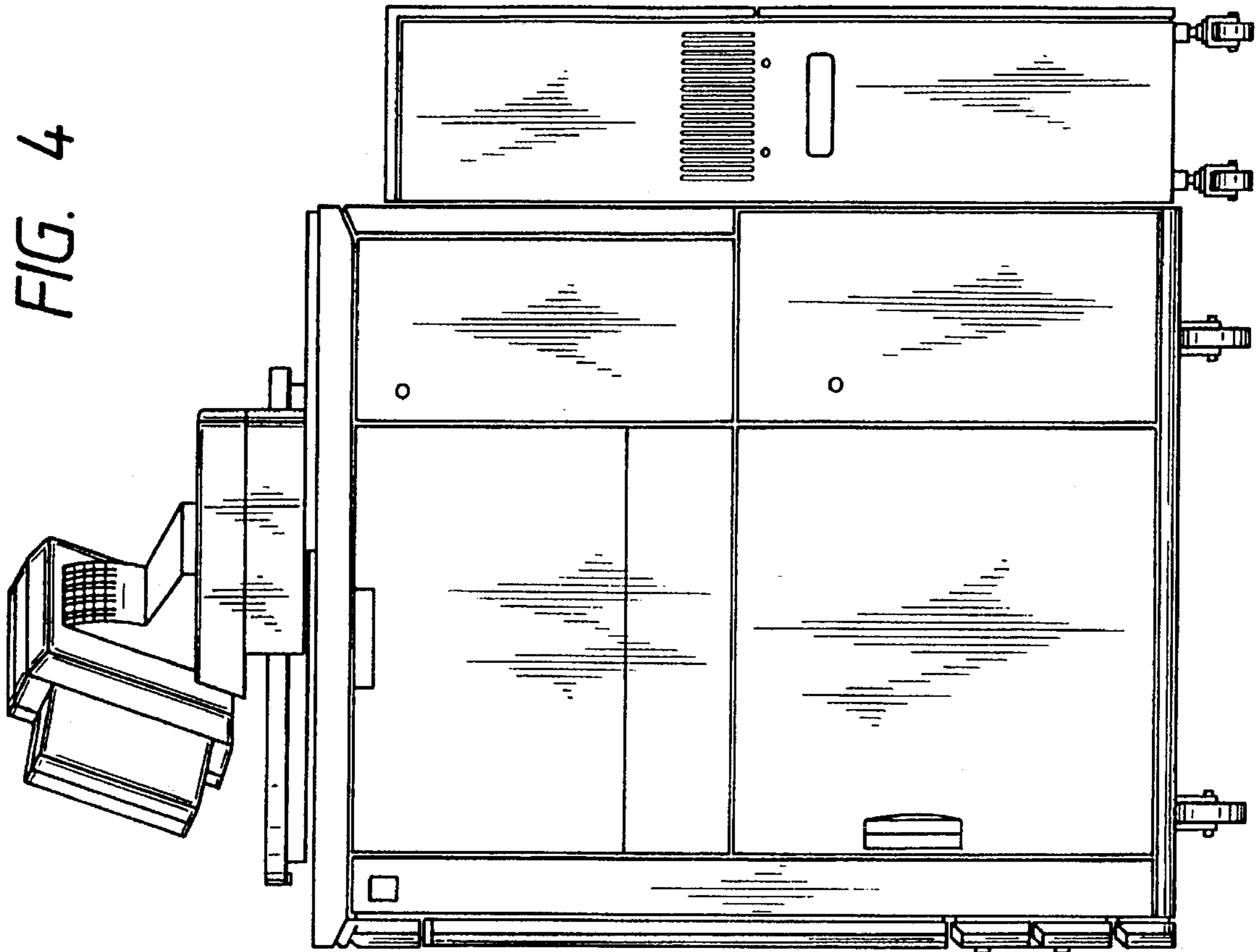


FIG. 3

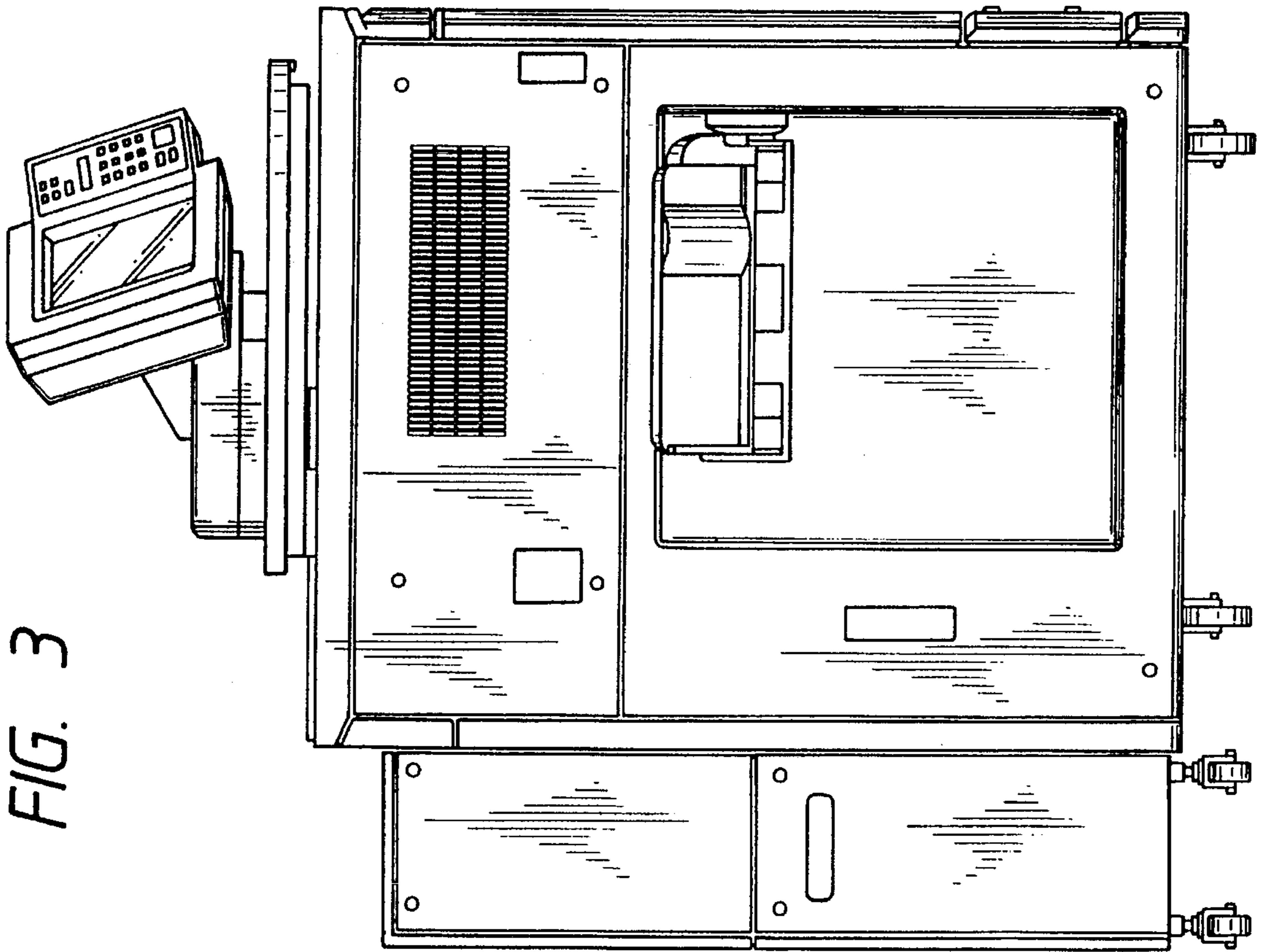


FIG. 5

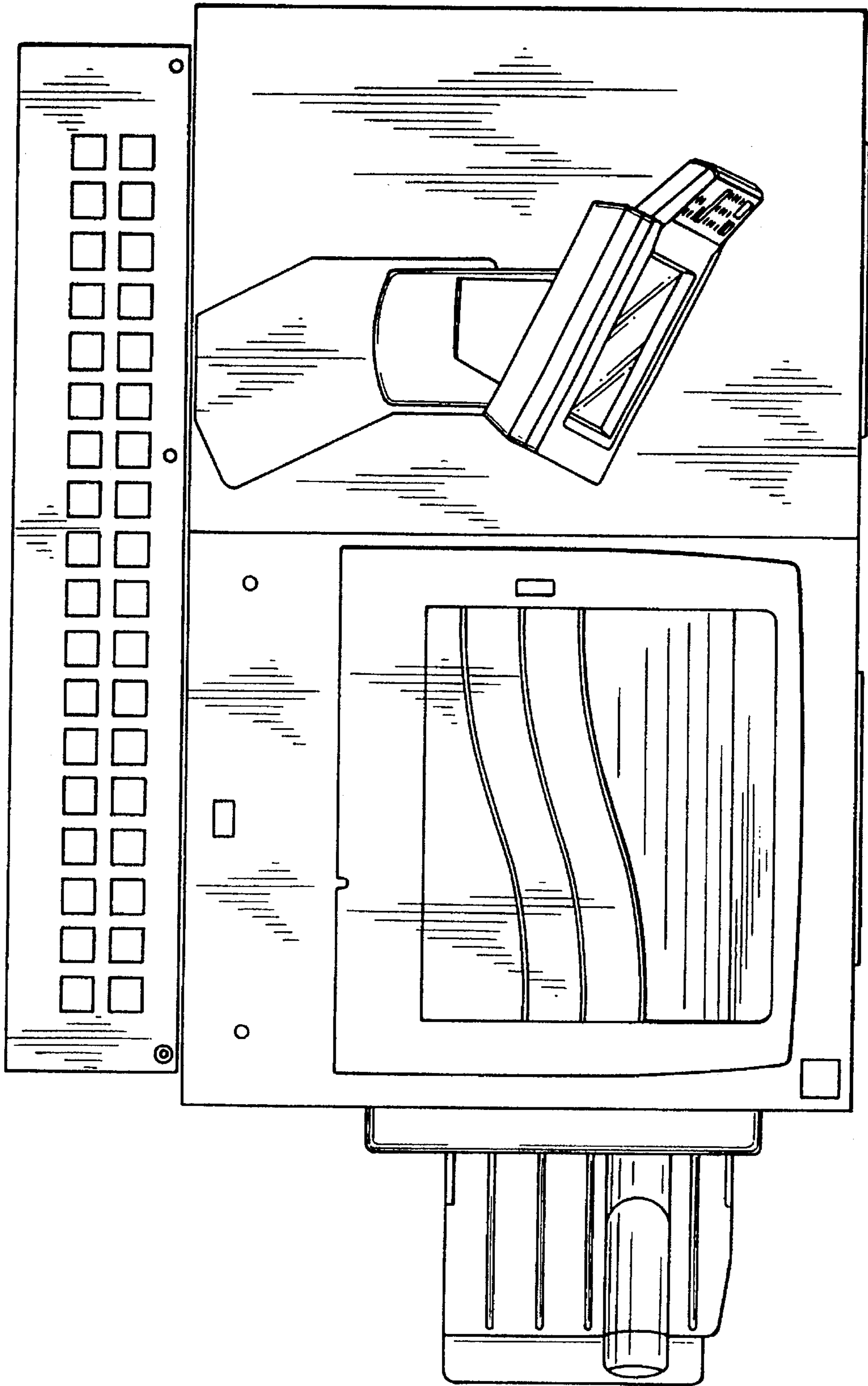


FIG. 6

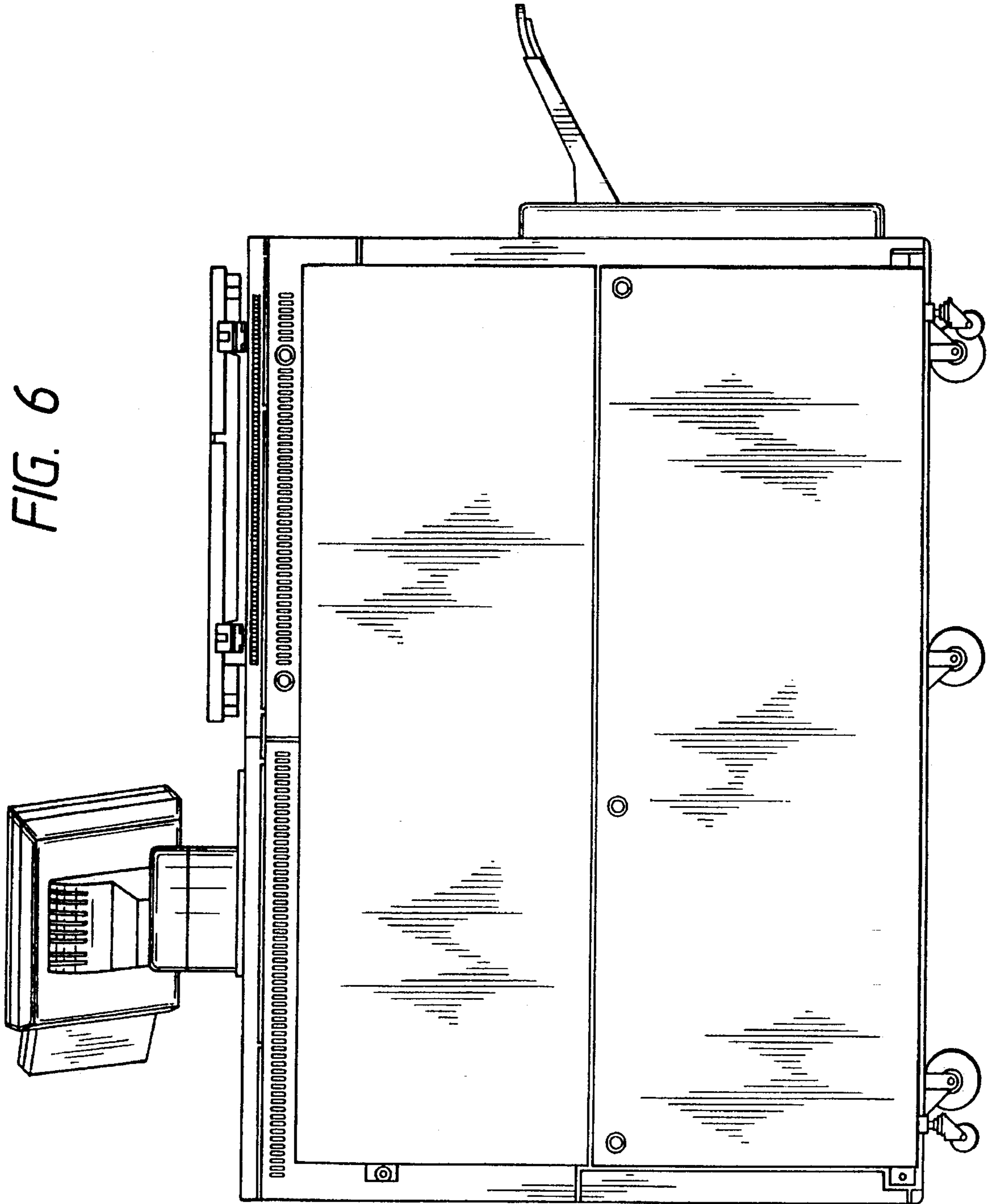


FIG. 7

