



US00D377943S

United States Patent [19] Quinton

[11] Patent Number: **Des. 377,943**

[45] Date of Patent: ****Feb. 11, 1997**

[54] **CUTTER**
[75] Inventor: **Roland Quinton**, St-Ferdinand, Canada
[73] Assignee: **Gestion Quinton Inc.**, St-Ferdinand, Canada
[**] Term: **14 Years**

1,221,300 4/1917 Ersnes 83/870
2,990,811 7/1961 Mackie 83/581
4,567,802 2/1986 Witherspoon 83/581

Primary Examiner—Cathy Anne MacCormac
Assistant Examiner—Frank Martinez
Attorney, Agent, or Firm—Goudreau Gage Dubuc & Martineau Walker

[21] Appl. No.: **51,925**
[22] Filed: **Mar. 19, 1996**
[52] U.S. Cl. **D18/34**
[58] Field of Search D18/34, 68, 100,
D18/72, 86, 99; 83/571, 865, 870, 467.1,
610, 692, 581, 613, 633; D24/220, 221,
222

[57] **CLAIM**

The ornamental design for a cutter, as shown and described.

DESCRIPTION

FIG. 1 is a perspective view of a cutter showing my new design;

FIG. 2 is a front elevational view thereof;

FIG. 3 is a right side elevational view thereof;

FIG. 4 is a left side elevational view thereof;

FIG. 5 is a top plan view thereof;

FIG. 6 is a bottom plan view thereof; and,

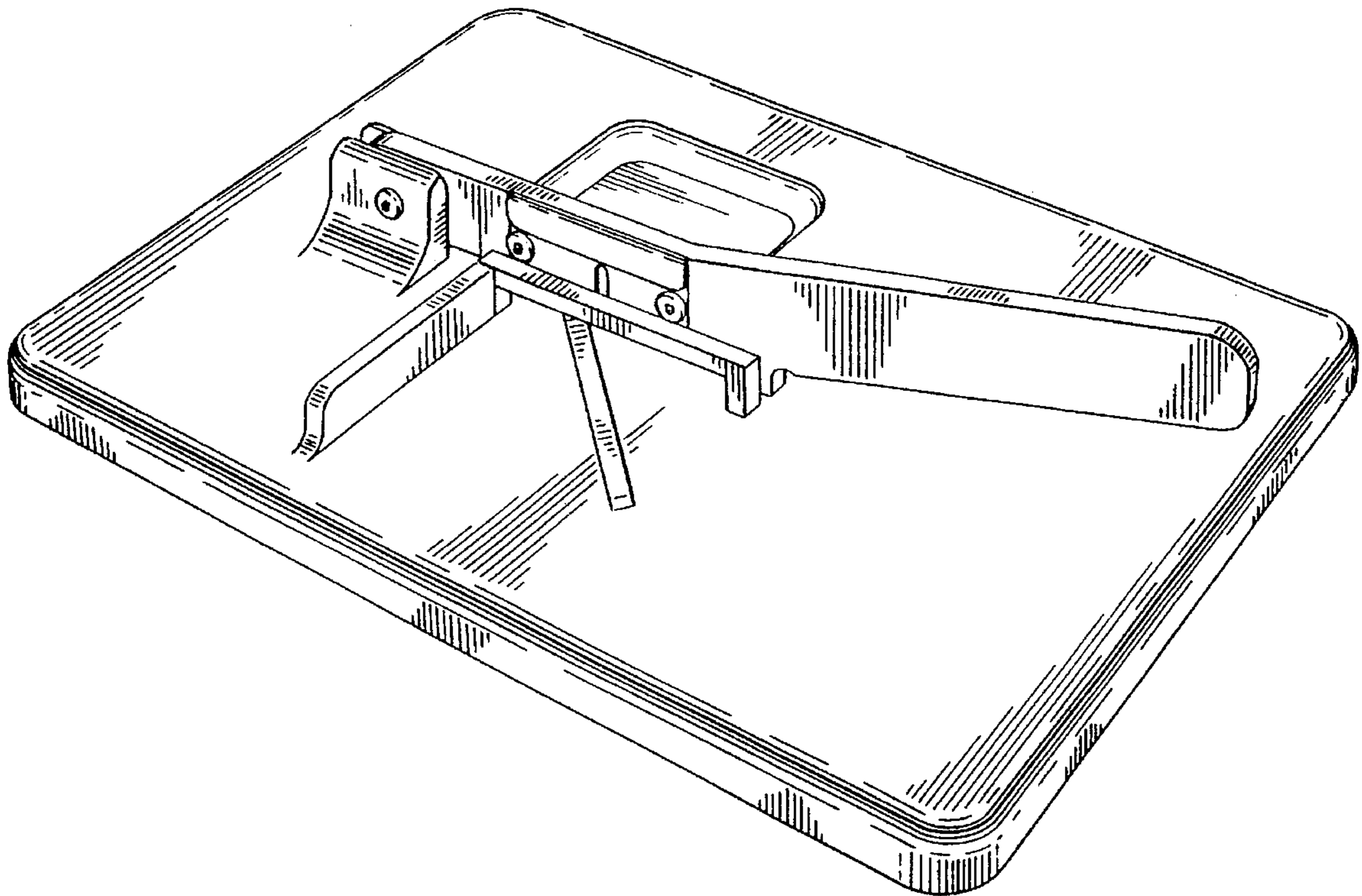
FIG. 7 is a rear elevational view thereof.

[56] **References Cited**

U.S. PATENT DOCUMENTS

220,143 9/1879 Hancock 83/633 X
541,503 6/1895 Razoux D18/34 X
1,082,629 12/1913 Hadaway 83/581

1 Claim, 3 Drawing Sheets



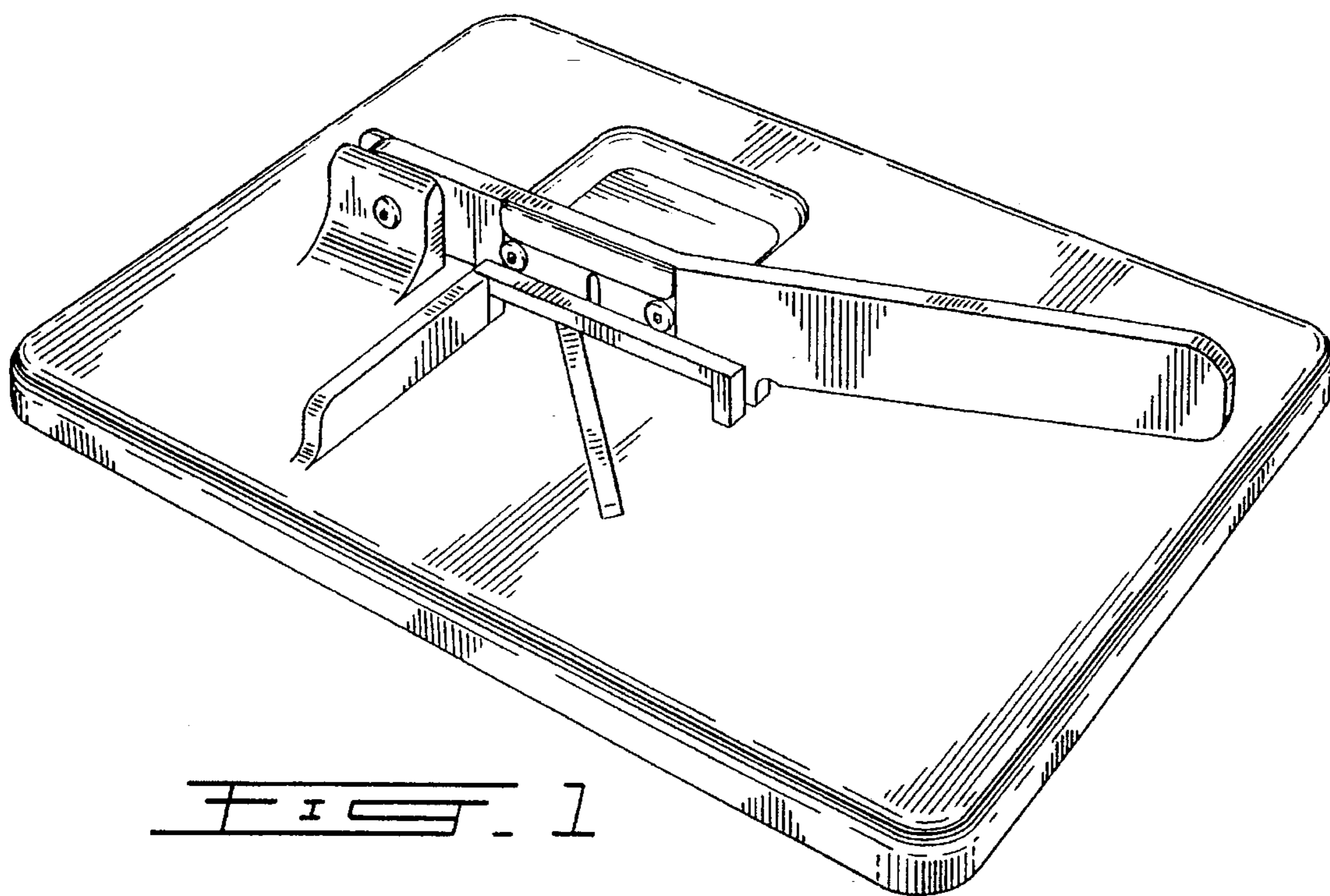


FIG. 1

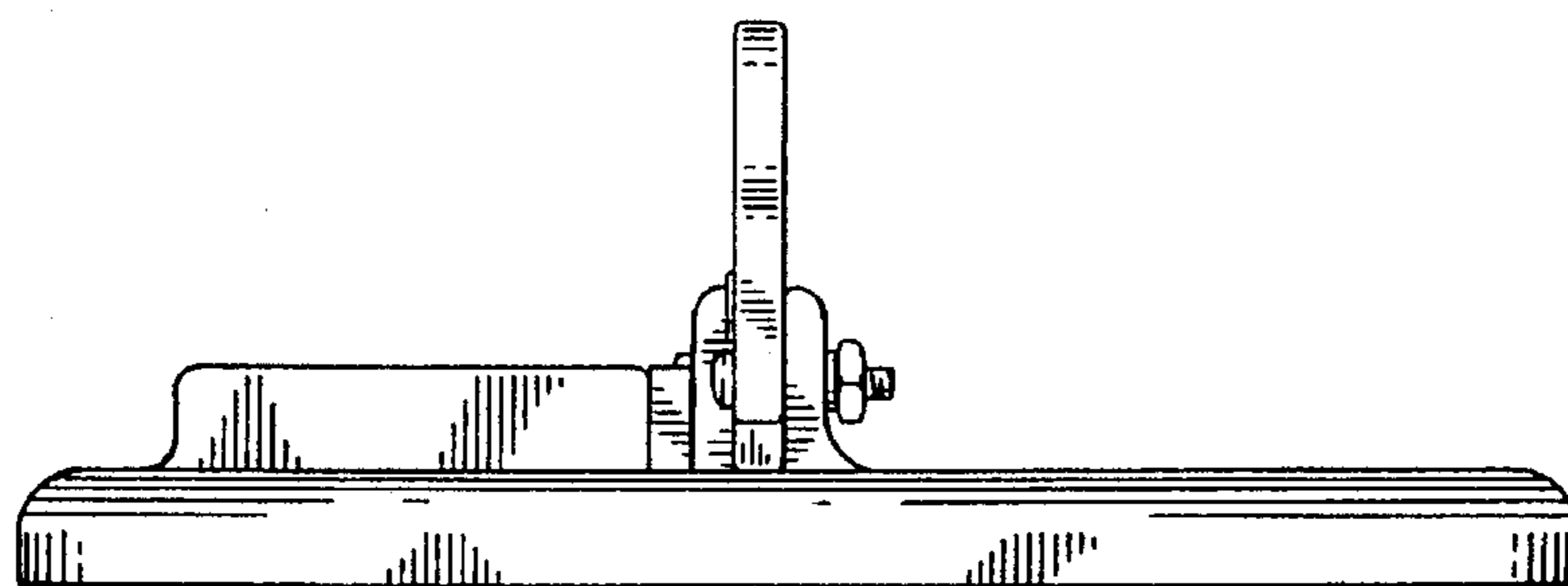


FIG. 2

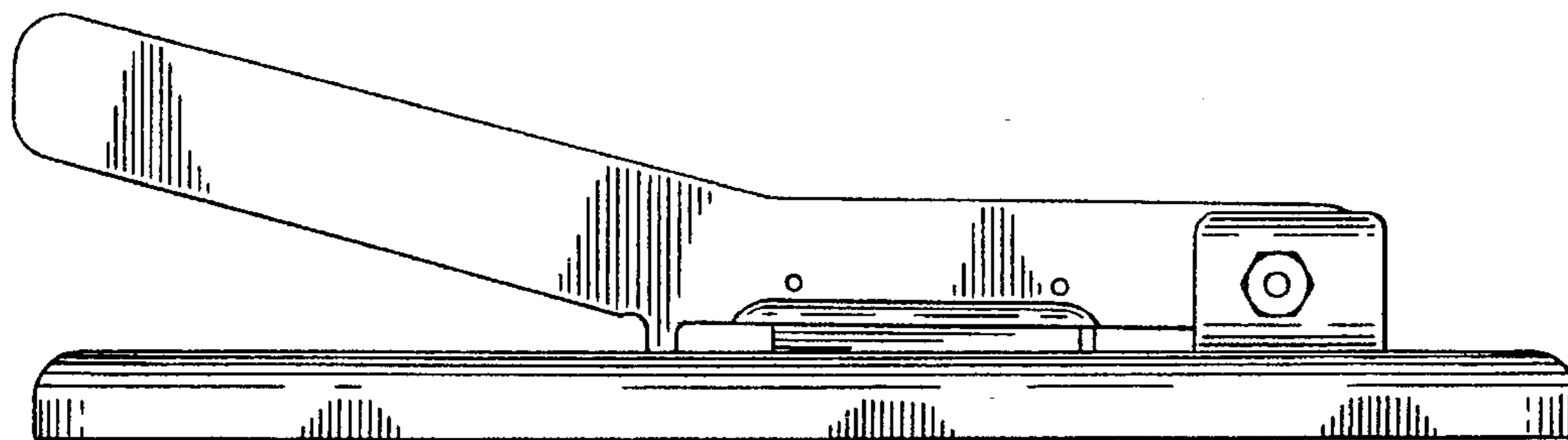


FIG. 3

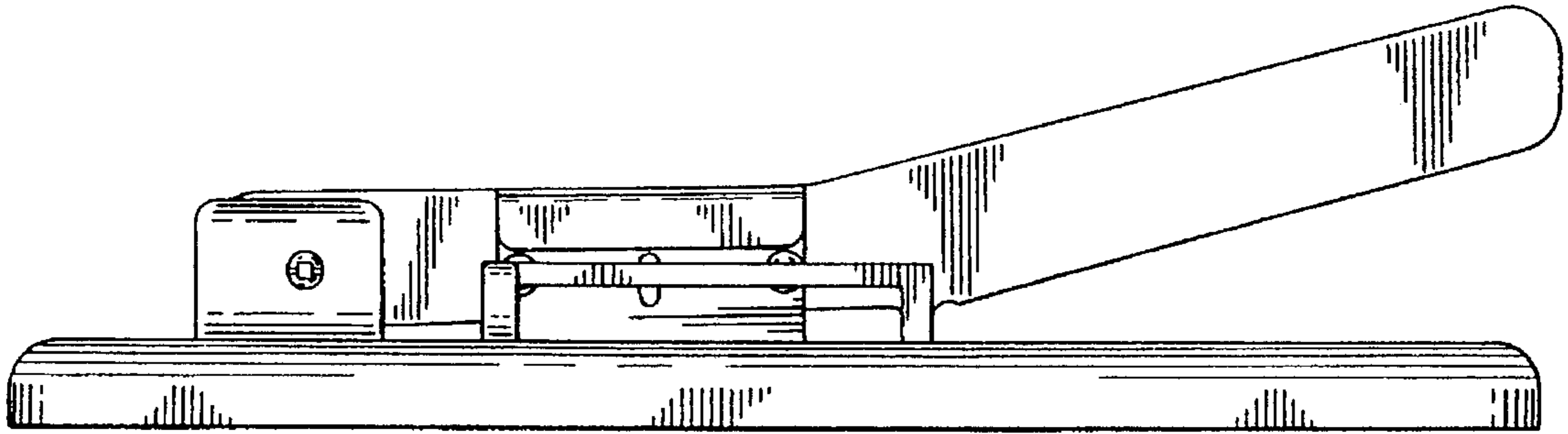


FIG. 4

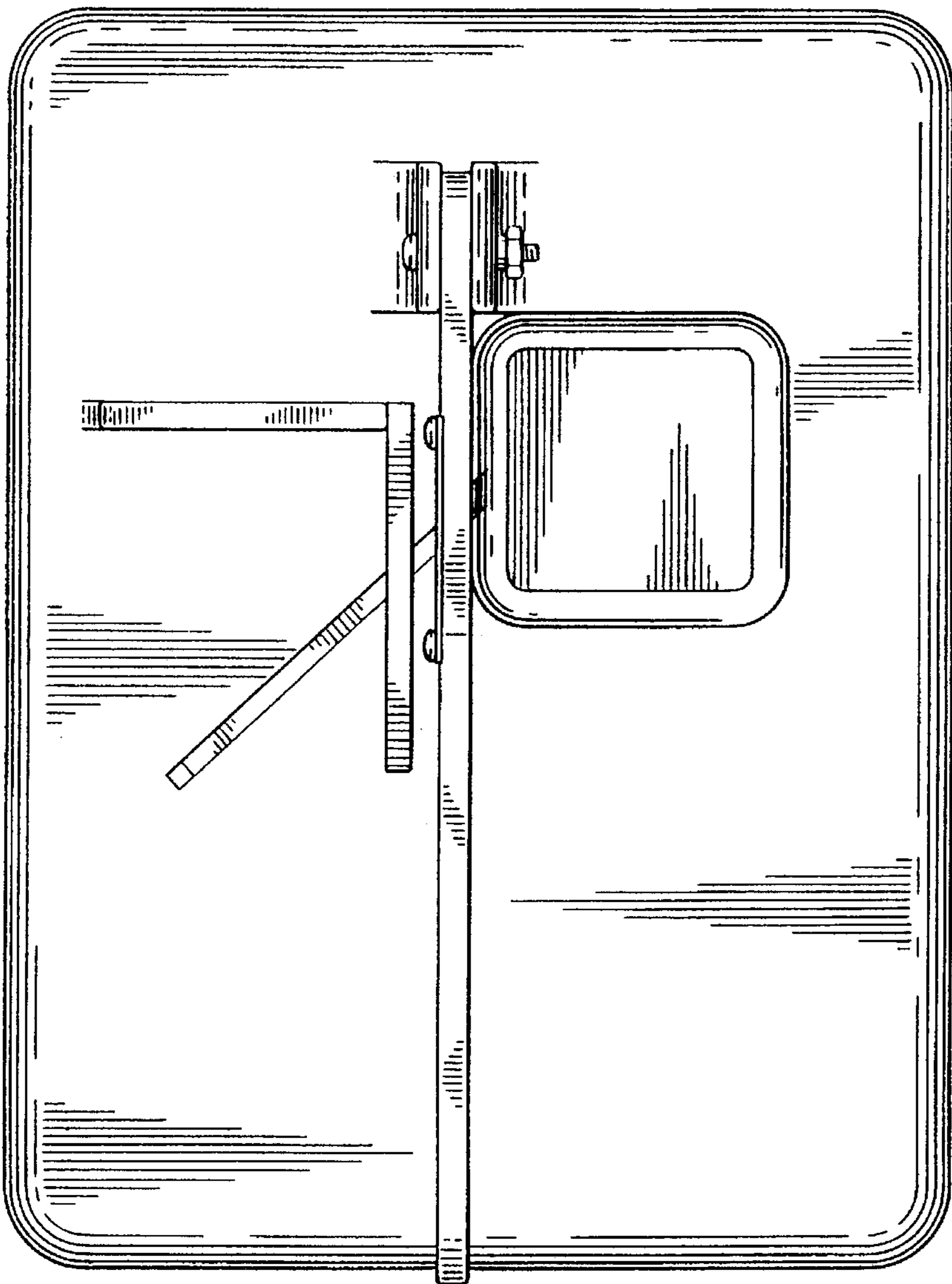


FIG. 5

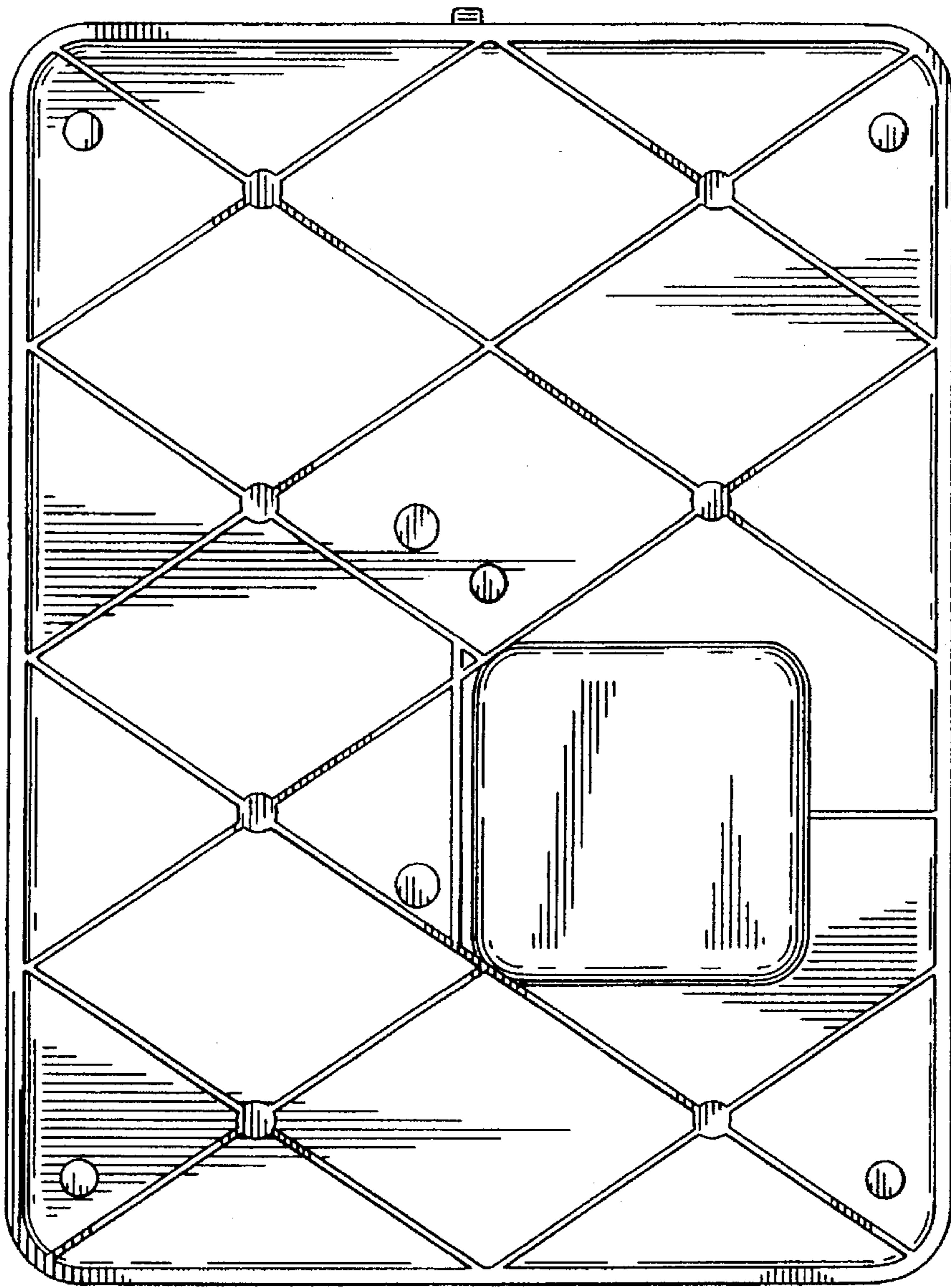


FIG. 6

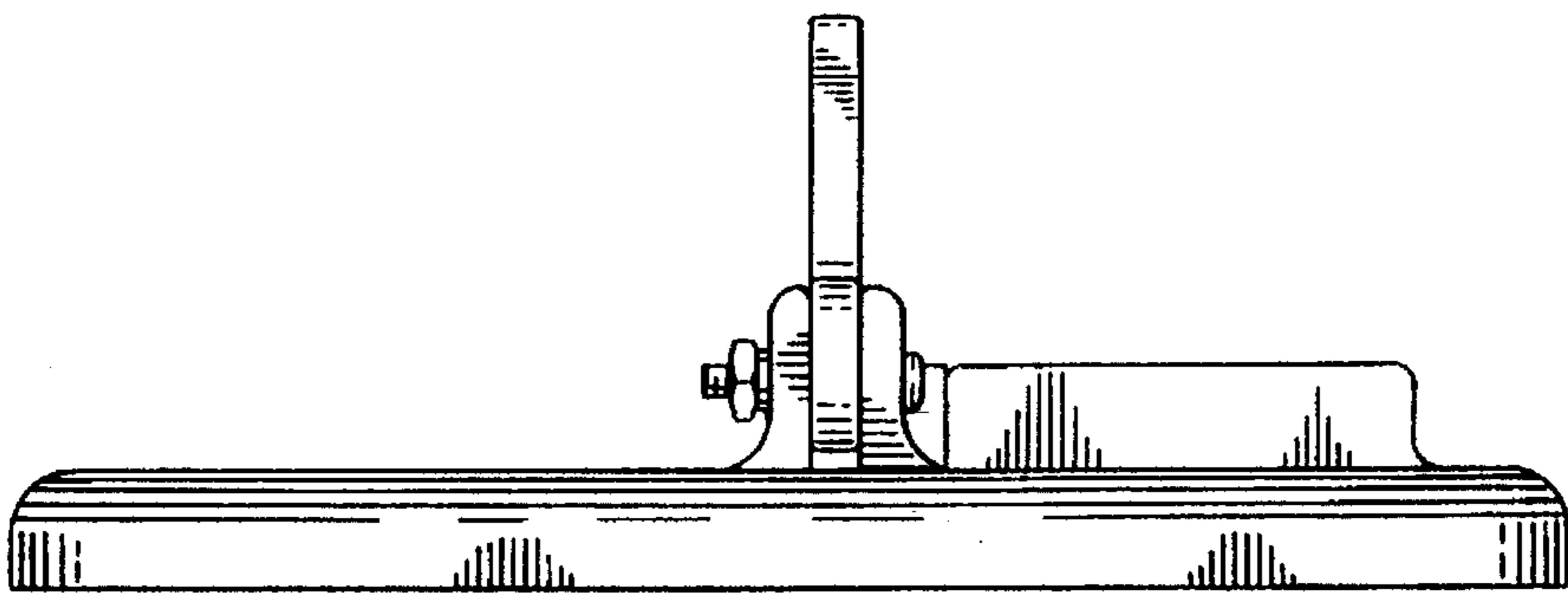


FIG. 7