



US00D377941S

**United States Patent** [19]  
**Tanaka**

[11] **Patent Number: Des. 377,941**

[45] **Date of Patent: \*\*Feb. 11, 1997**

[54] **VIDEO CAMERA WITH VIDEO TAPE RECORDER**

[75] Inventor: **Chifuyu Tanaka**, Tokyo, Japan

[73] Assignee: **Canon Kabushiki Kaisha**, Tokyo, Japan

[\*\*] Term: **14 Years**

[21] Appl. No.: **49,198**

[22] Filed: **Jan. 19, 1996**

[30] **Foreign Application Priority Data**

Jul. 25, 1995 [JP] Japan ..... 7-21518

[52] **U.S. Cl.** ..... **D16/202**

[58] **Field of Search** ..... D16/200-206,  
D16/208; 348/373-376; 352/34, 242, 243;  
354/64, 82, 288; 358/906; D3/267

[56] **References Cited**

**U.S. PATENT DOCUMENTS**

D. 316,420	4/1991	Tanaka	.....	D16/200
D. 331,935	12/1992	Tanaka	.....	D16/200
D. 337,340	7/1993	Tanaka	.....	D16/200
D. 340,802	11/1993	Sekine	.....	D3/267

D. 356,327	3/1995	Mouri	.....	D16/204
D. 360,425	7/1995	Sato et al.	.....	D16/202
D. 368,922	4/1996	Tanaka	.....	D16/202
5,499,052	3/1996	Nakanishi et al.	.....	348/373

**OTHER PUBLICATIONS**

Skin Diver, Jan. 1988 p. 53 (Hypertech's underwater camera).

*Primary Examiner*—Ted Shooman  
*Assistant Examiner*—Adir Aronovich

[57] **CLAIM**

The ornamental design for a video camera with video tape recorder, as shown and described.

**DESCRIPTION**

FIG. 1 is a front view of a video camera with video tape recorder showing my new design;  
FIG. 2 is a rear view thereof;  
FIG. 3 is a top plan view thereof;  
FIG. 4 is a bottom plan view thereof;  
FIG. 5 is a left side view thereof;  
FIG. 6 is a right side view thereof; and,  
FIG. 7 is a perspective view thereof.

**1 Claim, 3 Drawing Sheets**

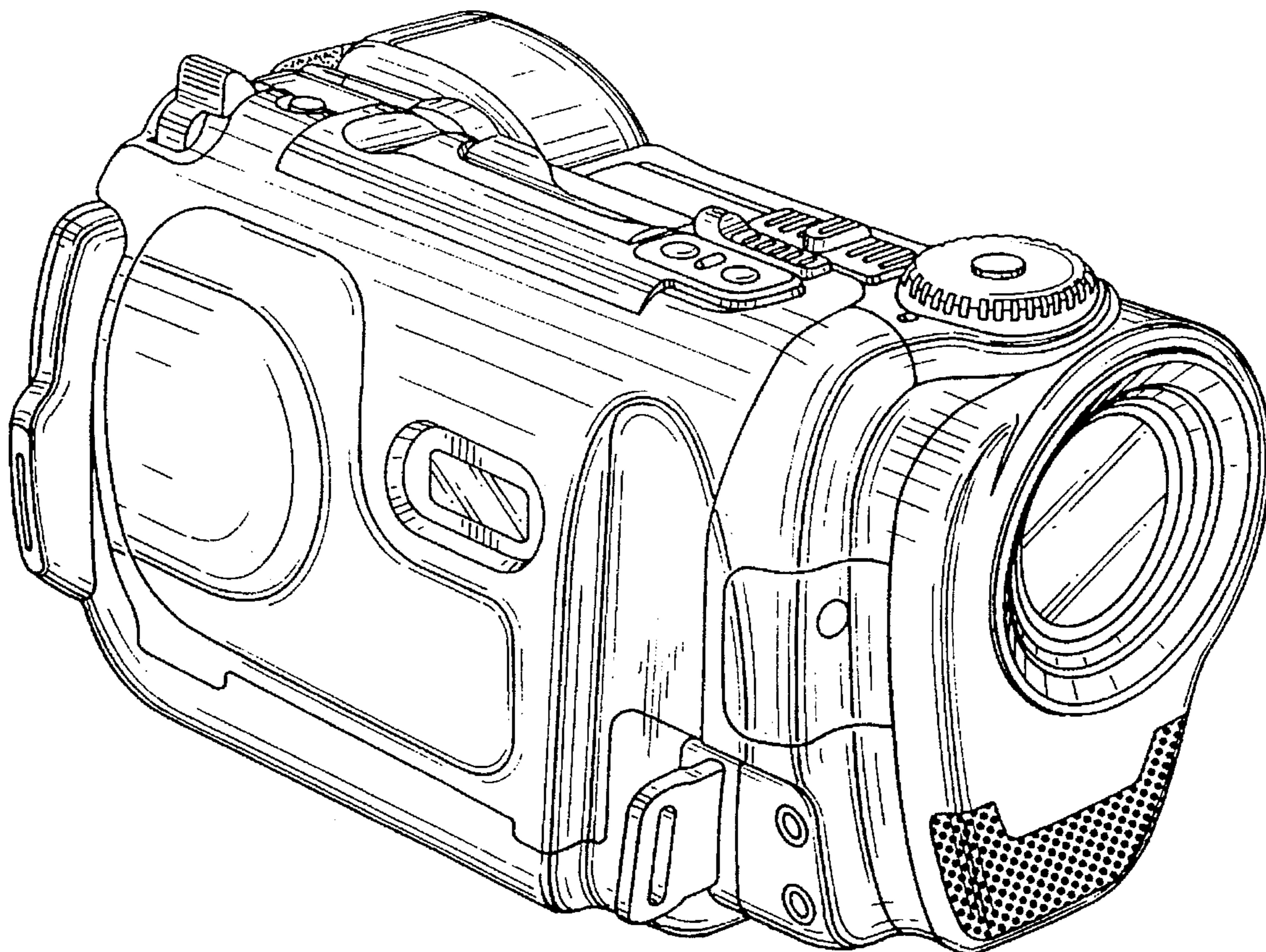


FIG. 1

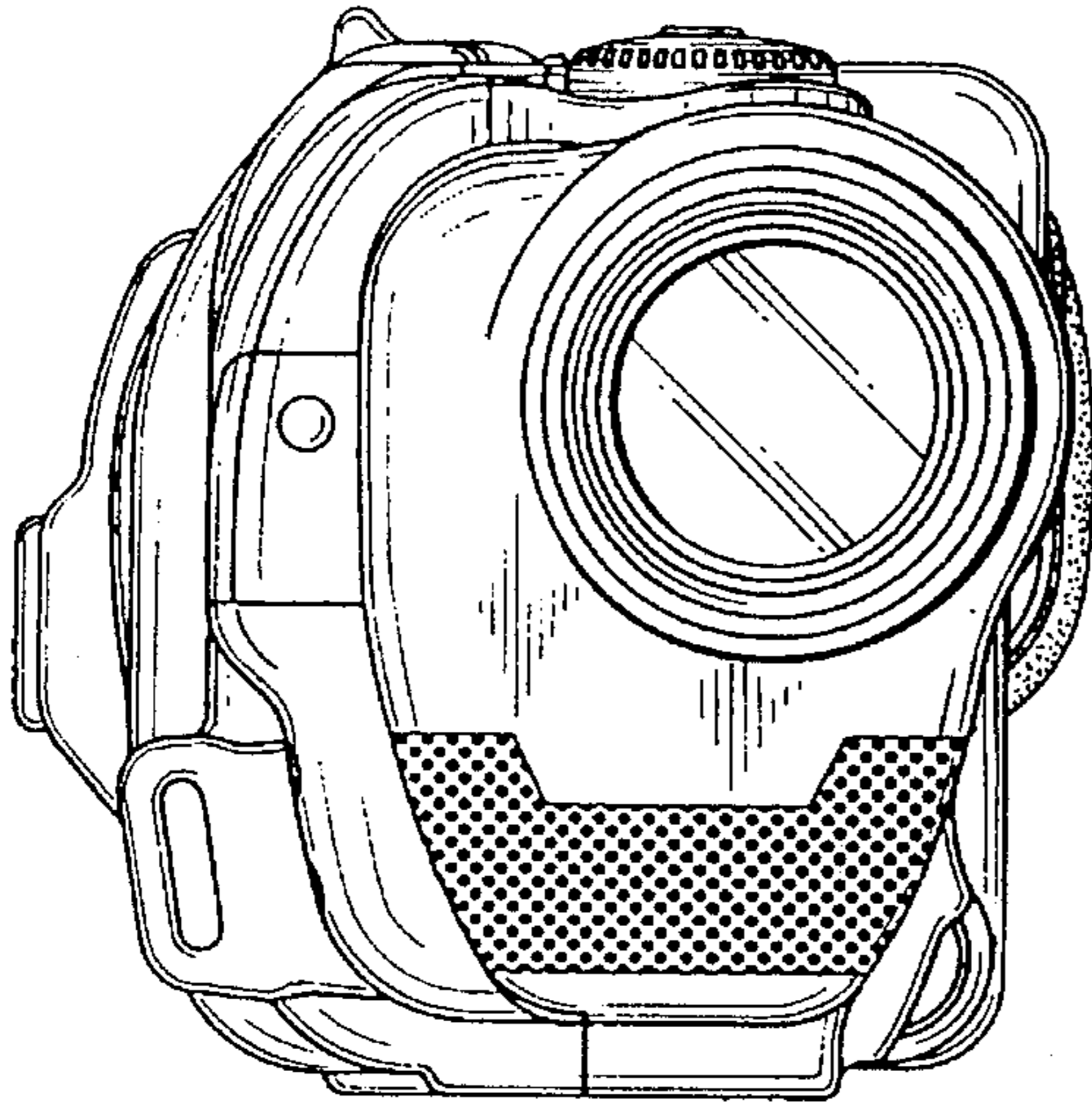


FIG. 2

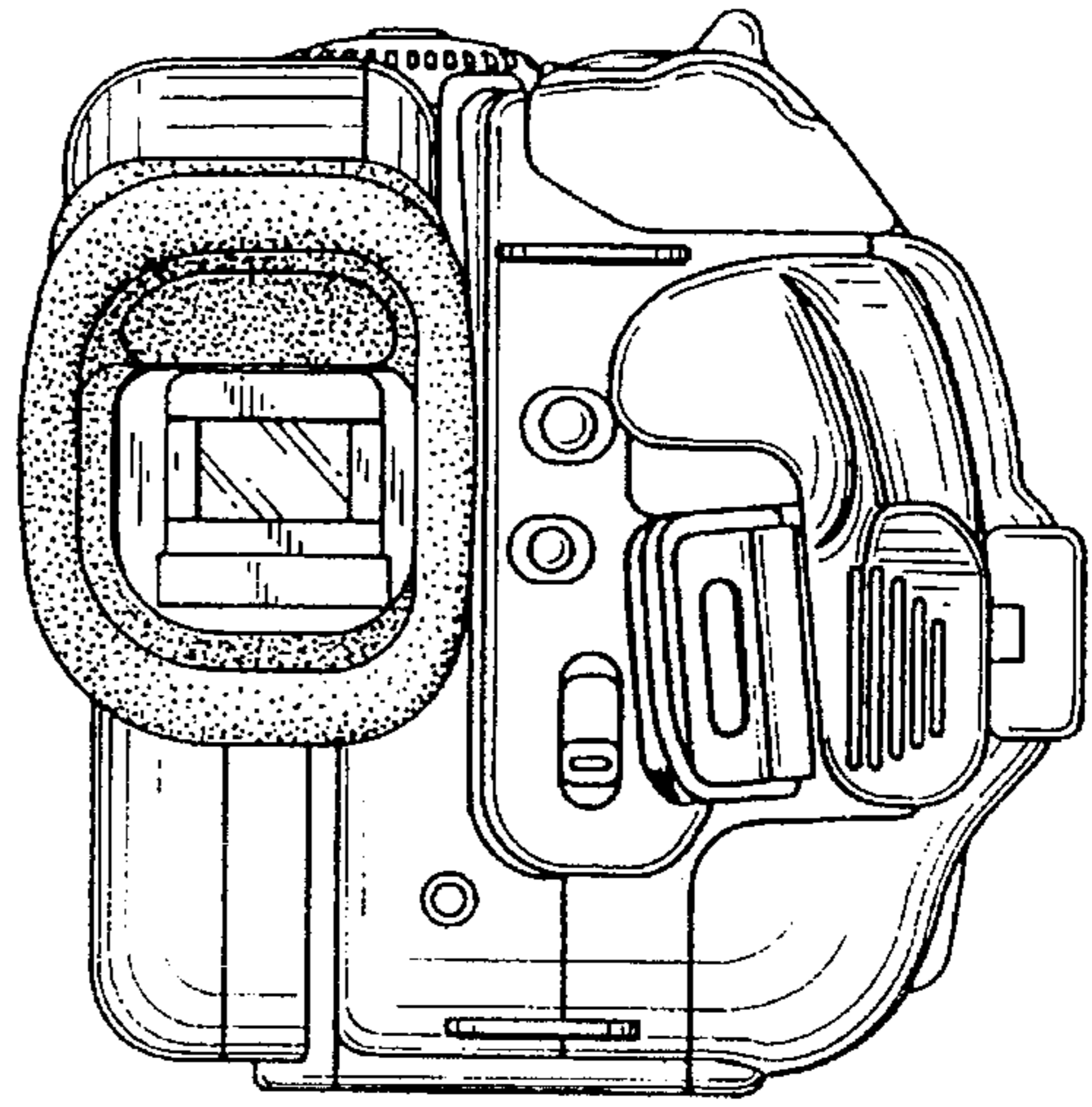


FIG. 3

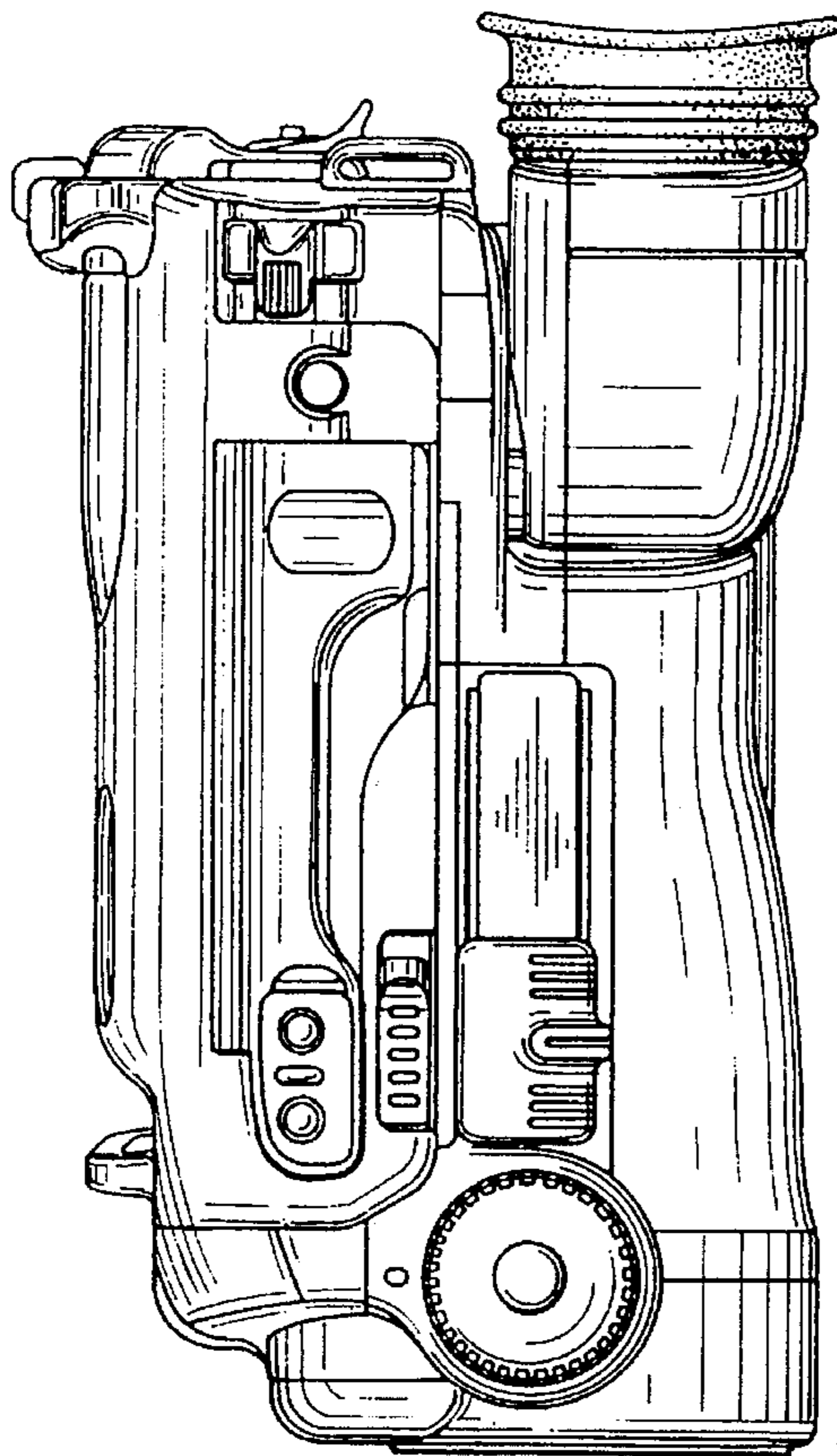


FIG. 4

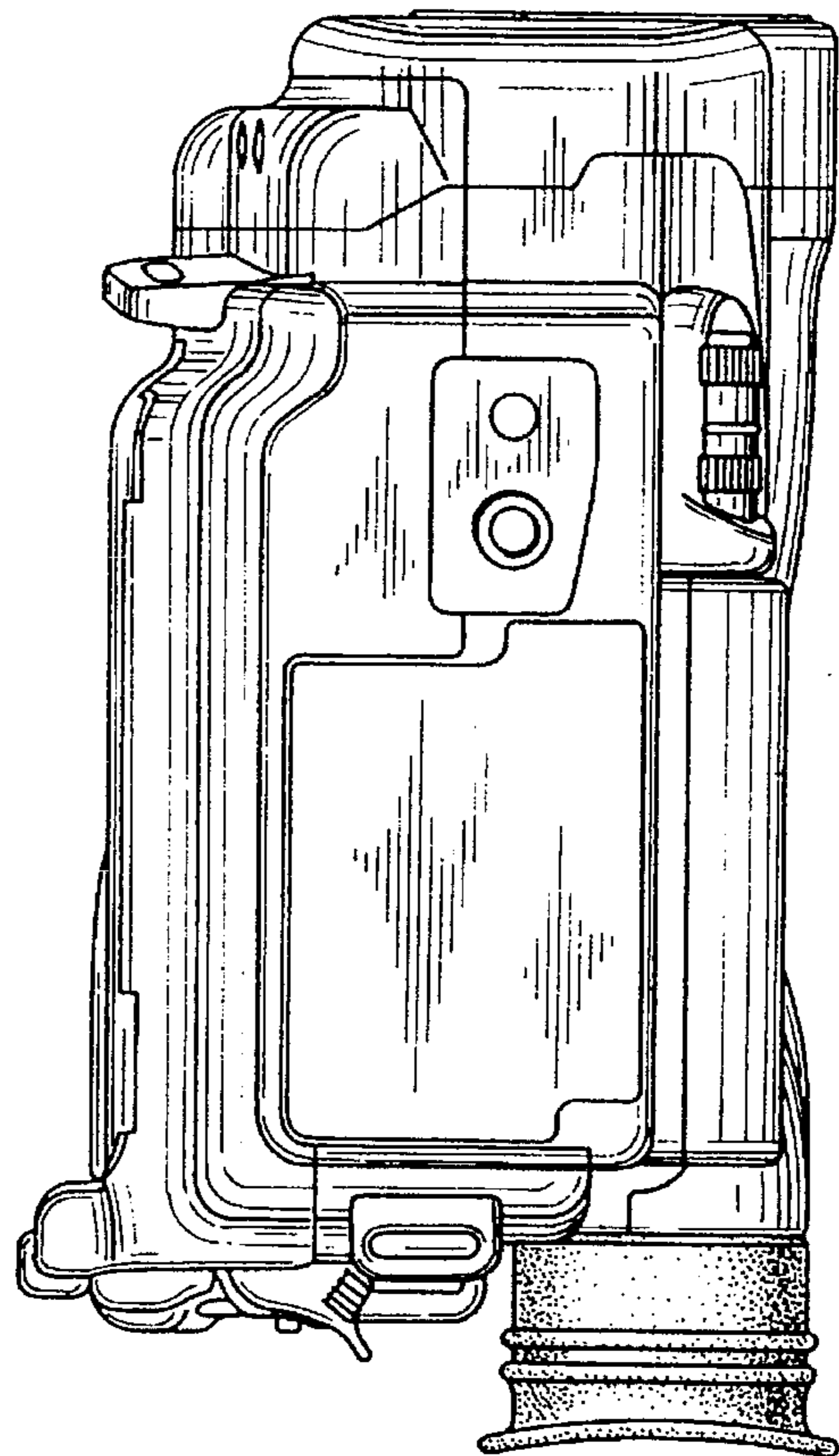


FIG. 5

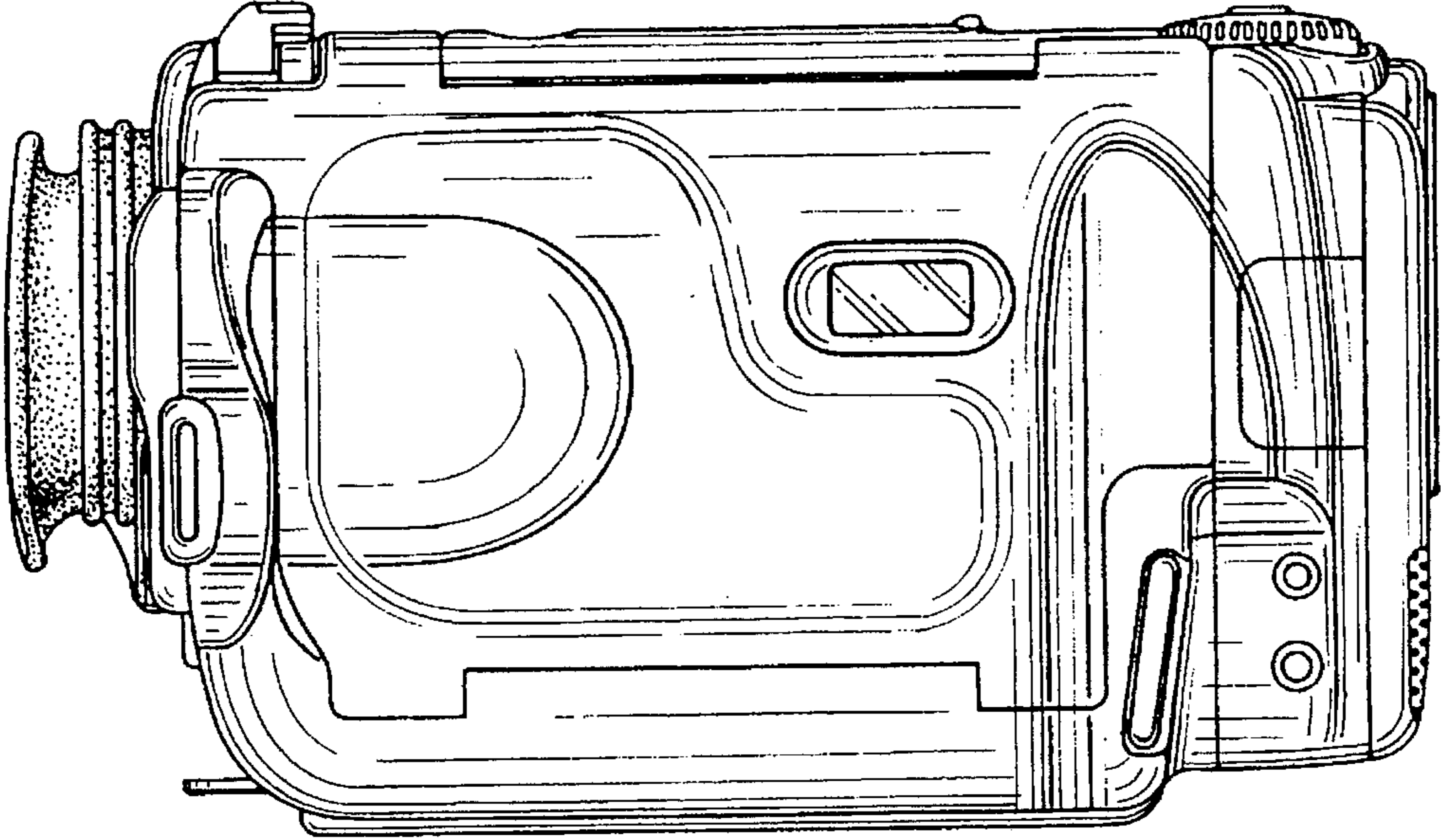


FIG. 6

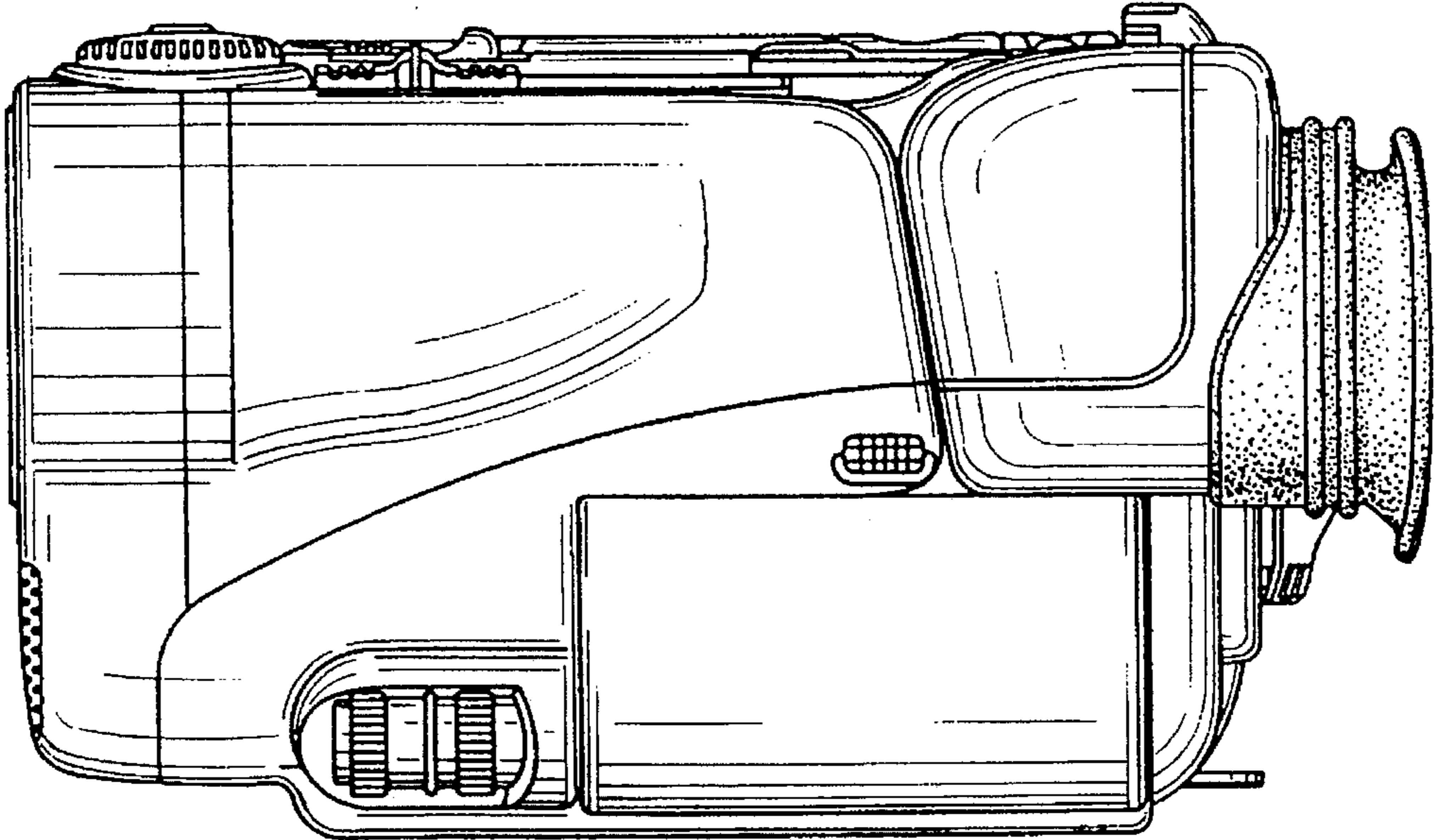


FIG. 7

