



US00D377940S

United States Patent [19]

Totsch

[11] Patent Number: **Des. 377,940**

[45] Date of Patent: ****Feb. 11, 1997**

[54] VIDEO CAMERA HOUSING

5,115,264 5/1992 Schappler 354/82

[76] Inventor: **John W. Totsch**, R.R. #1, Box 905,
Fairfield, Vt. 05455

Primary Examiner—Ted Shooman
Assistant Examiner—Adir Aronovich
Attorney, Agent, or Firm—Thomas N. Neiman

[**] Term: **14 Years**

[57] **CLAIM**

[21] Appl. No.: **35,118**

The ornamental design for a video camera housing, as shown and described.

[22] Filed: **Feb. 21, 1995**

DESCRIPTION

[52] U.S. Cl. **D16/202; D16/203**

[58] **Field of Search** D16/200-205,
D16/208, 242, 243; 348/373-376; 354/81,
82, 288, 293; 224/269, 669, 670, 908, 930;
352/242, 243; 358/906, 909.1

FIG. 1 is a front elevational view of the video camera housing showing my new design;
FIG. 2 is a top plan view thereof;
FIG. 3 is a side elevational view thereof, the opposite side being a mirror image thereof;
FIG. 4 is a rear elevational view thereof;
FIG. 5 is a bottom plan view thereof;
FIG. 6 is a top and front perspective view thereof; and,
FIG. 7 is a bottom and rear perspective view thereof.

[56] **References Cited**

U.S. PATENT DOCUMENTS

D. 220,406	4/1971	Hardy	D16/203
D. 280,323	8/1985	Scheid et al.	D14/225
D. 339,365	9/1993	Urcuilio	D16/203
5,012,335	4/1991	Cohodar	354/81

1 Claim, 2 Drawing Sheets

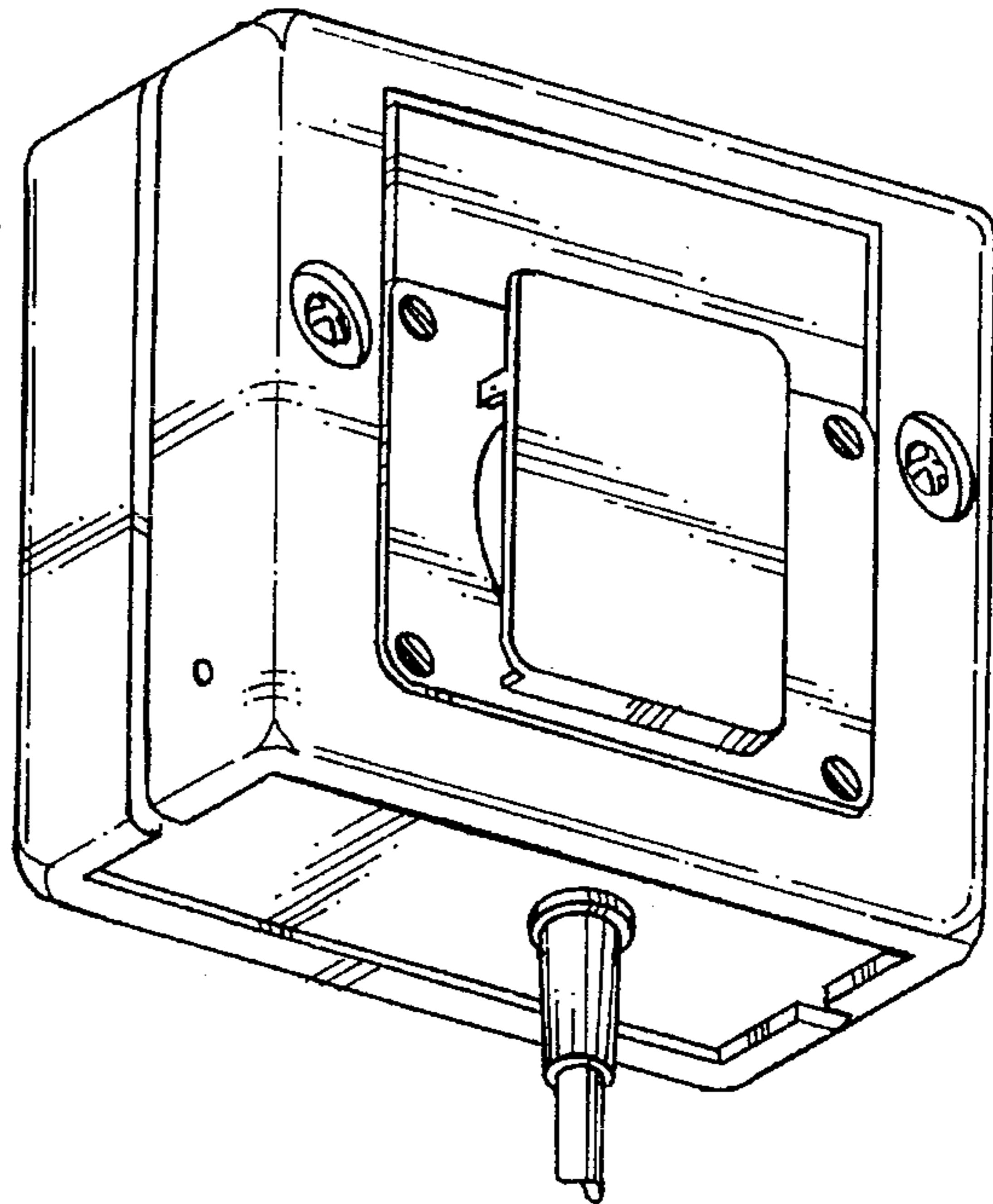
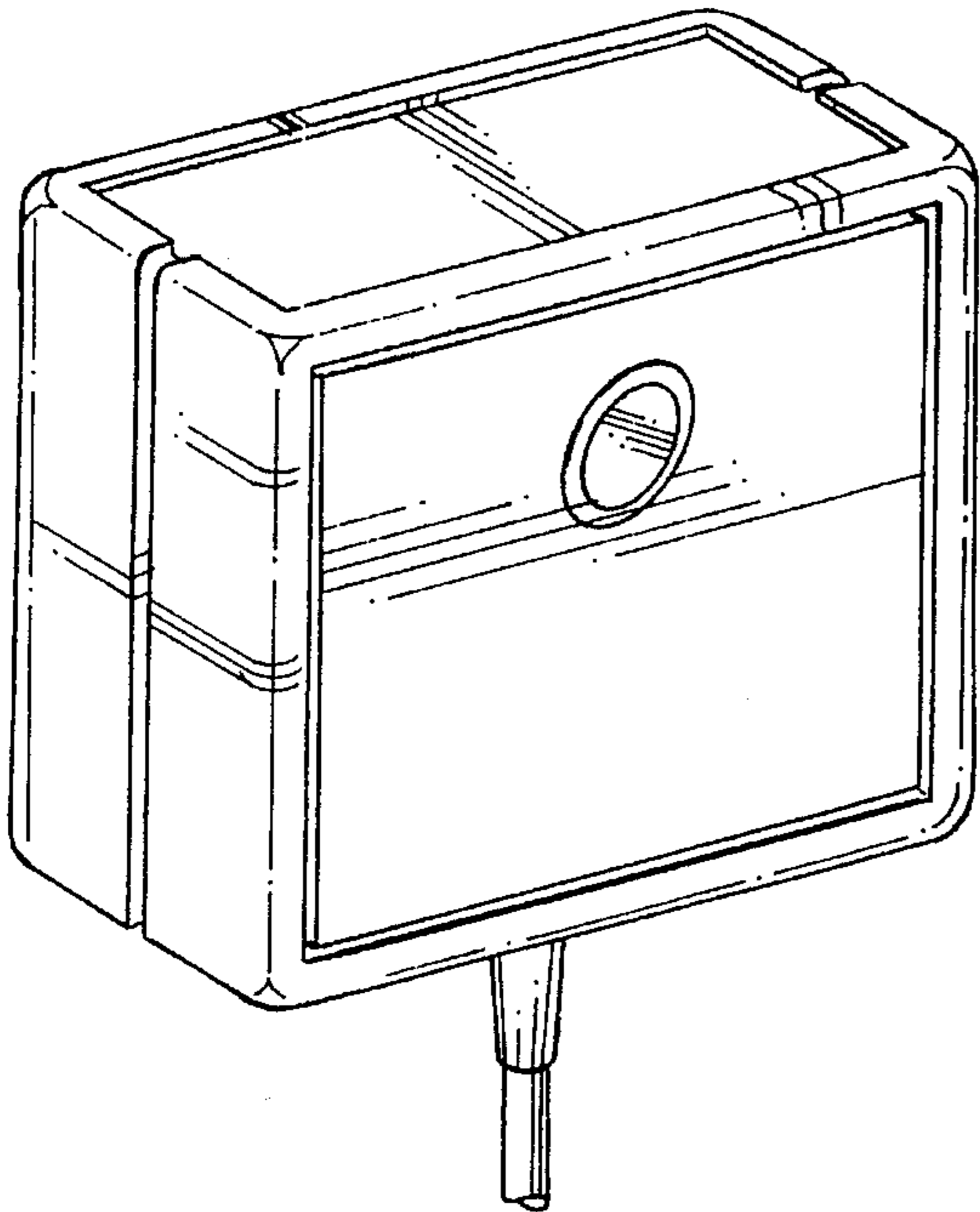


FIG.2

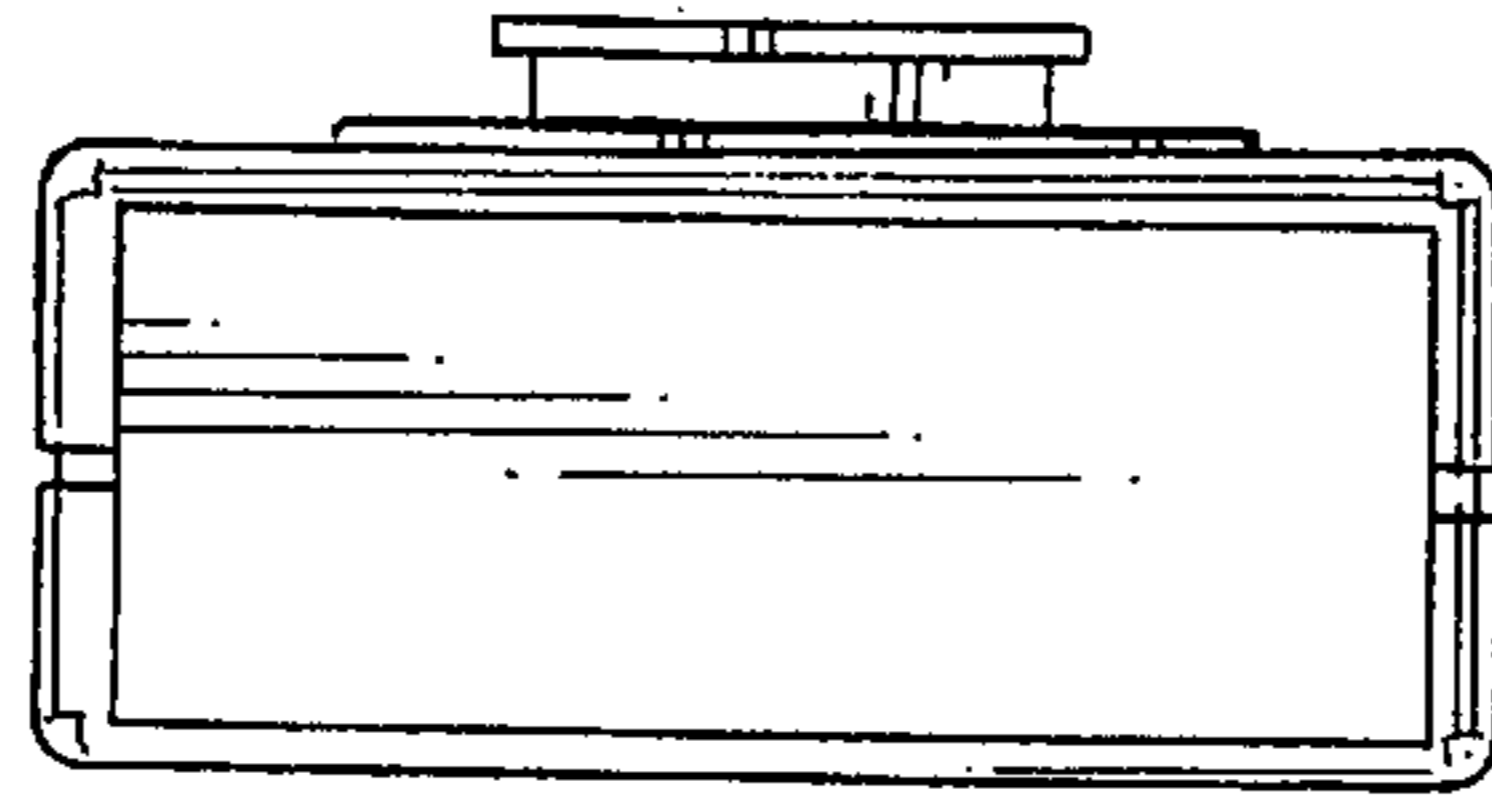


FIG.3

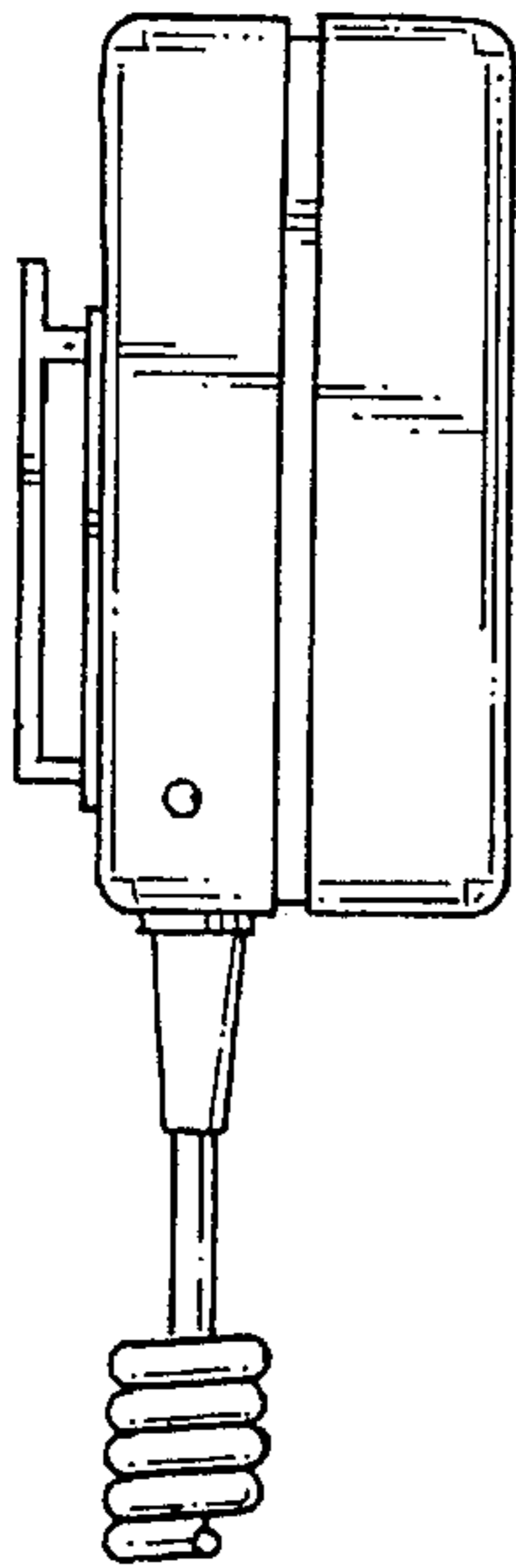


FIG.1

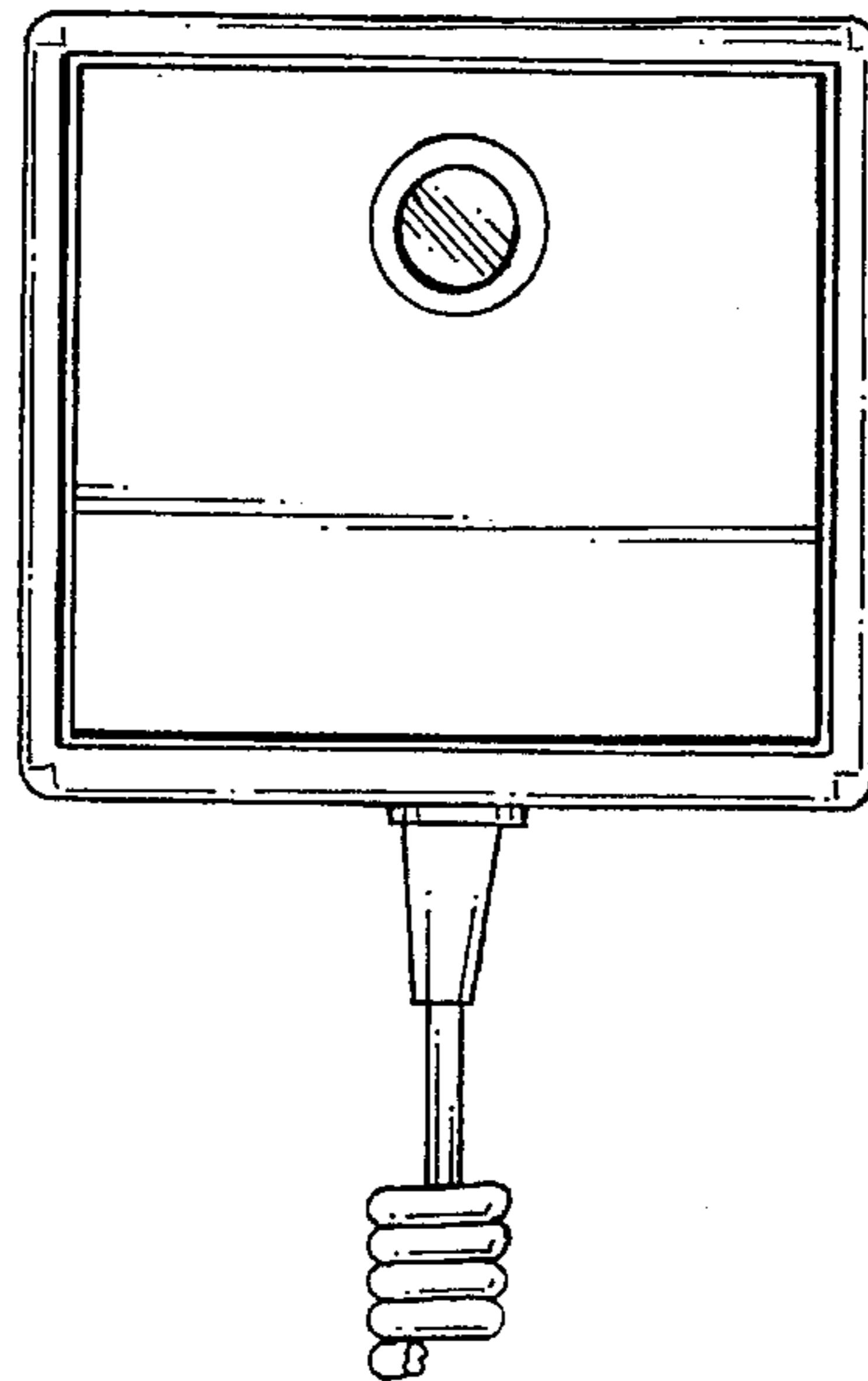


FIG.4

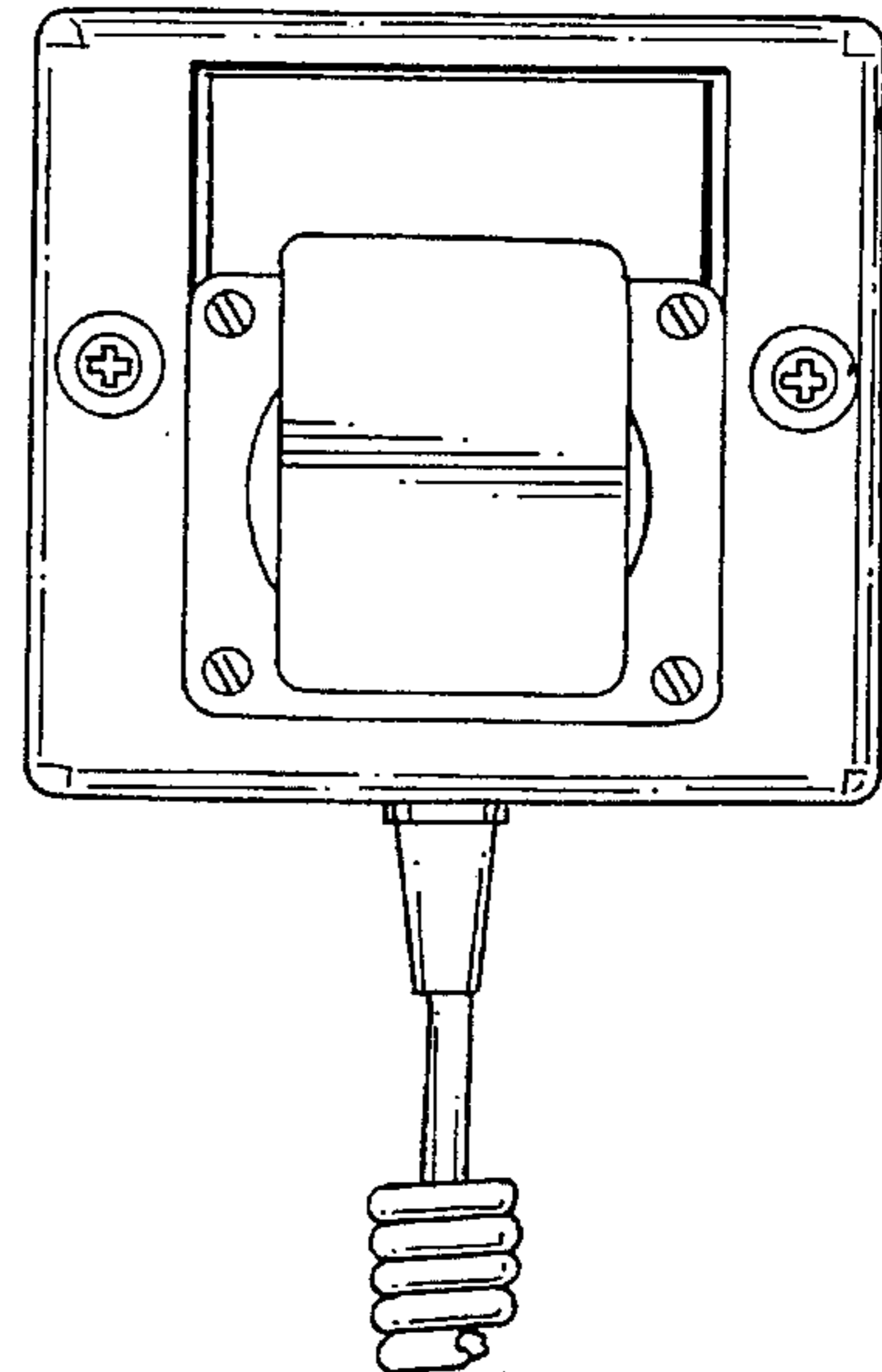
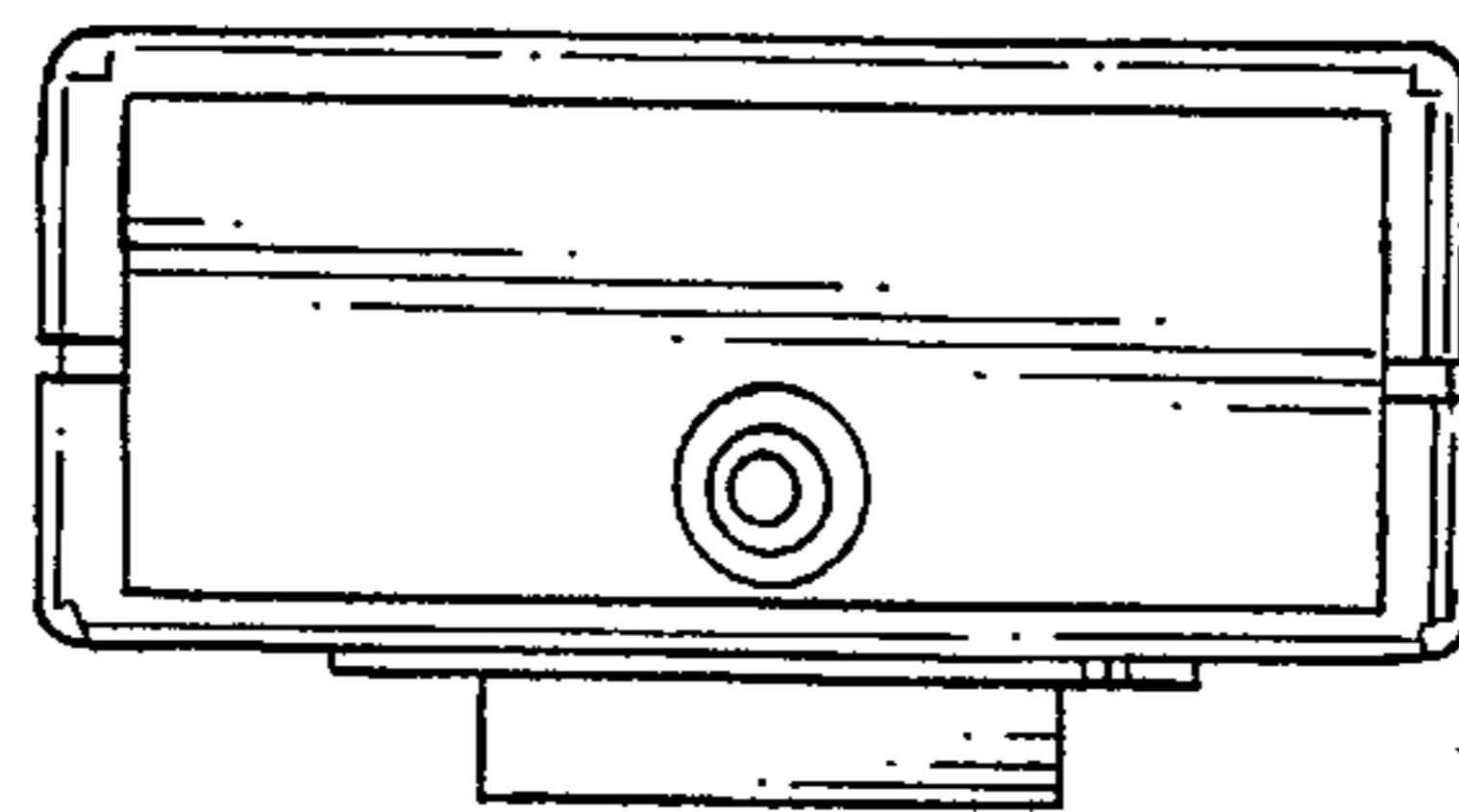


FIG.5



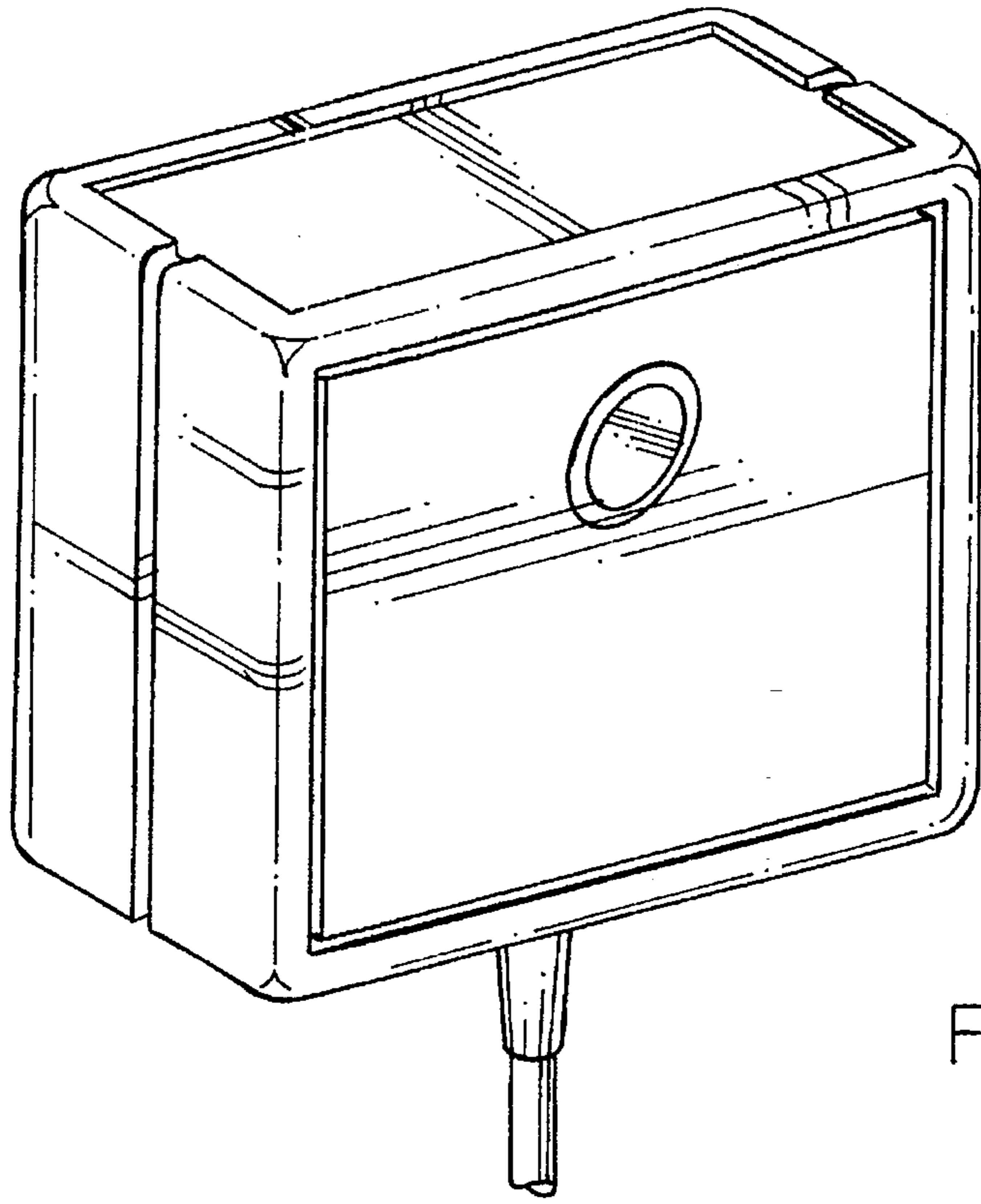


FIG. 6

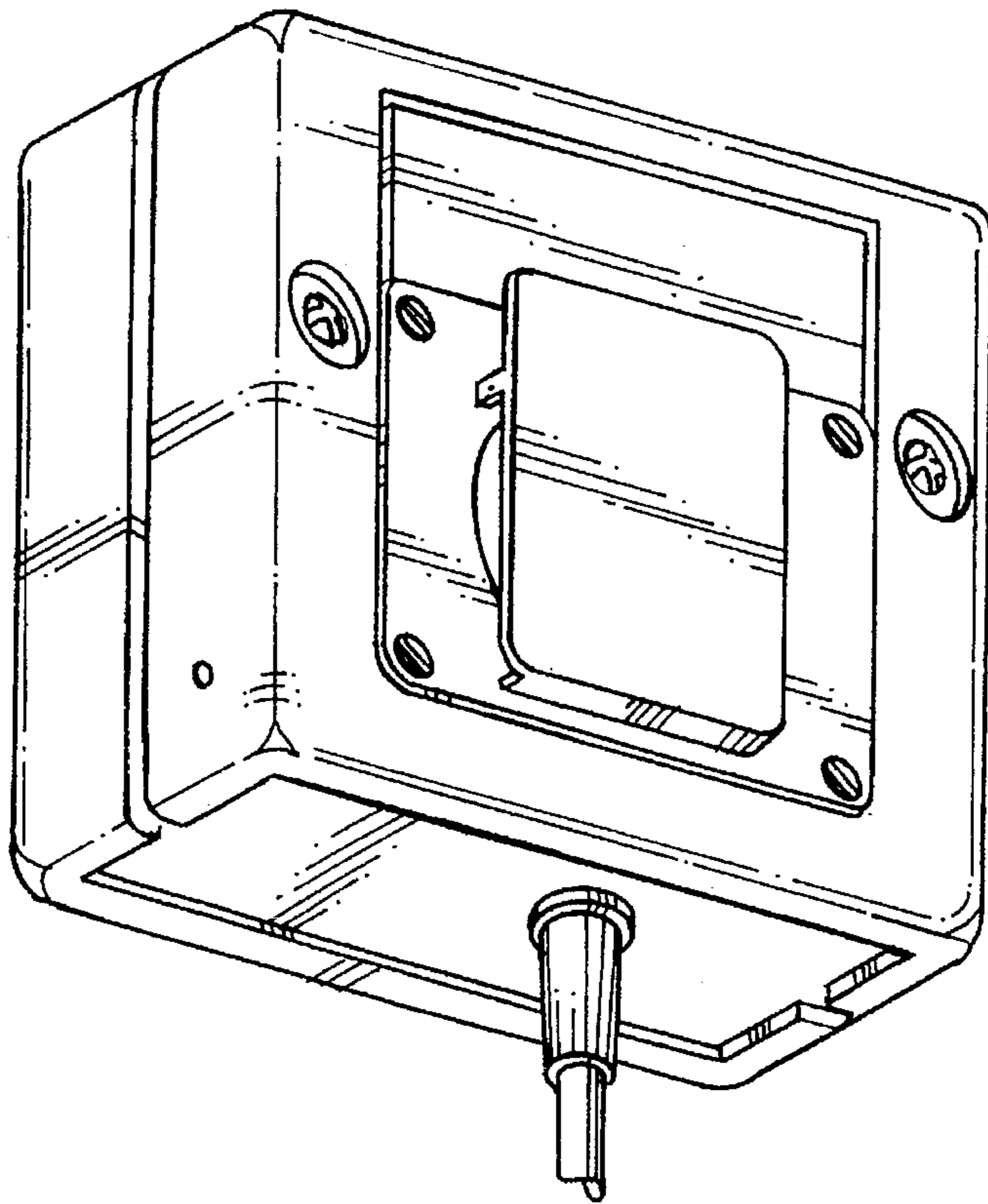


FIG. 7